



US00D648987S

(12) **United States Design Patent**
Kouyoumdjian et al.

(10) **Patent No.:** **US D648,987 S**

(45) **Date of Patent:** **** Nov. 22, 2011**

(54) **BEVERAGE COOLER**

(76) Inventors: **Raffi Kouyoumdjian**, Alamo, CA (US);
Robert Petner, Burlington, NJ (US)

(**) Term: **14 Years**

(21) Appl. No.: **29/384,668**

(22) Filed: **Feb. 2, 2011**

(51) **LOC (9) Cl.** **07-01**

(52) **U.S. Cl.** **D7/605**

(58) **Field of Classification Search** D7/605–608;
62/457.1–457.9, 530, 371, 372, 326, 258;
220/592.09, 592.01, 592.12, 592.17, 592.19;
206/139, 141, 145

See application file for complete search history.

6,899,221 B2 5/2005 Skolik et al.
6,938,756 B2 9/2005 Schuster
6,990,831 B2* 1/2006 Fiene 62/457.5
7,063,208 B2 6/2006 Lebras
7,128,206 B2 10/2006 Kohler
7,240,514 B2* 7/2007 Gary 62/457.5
7,357,247 B2 4/2008 Guenther
7,552,820 B2 6/2009 Kohler

(Continued)

Primary Examiner — Terry Wallace

(74) *Attorney, Agent, or Firm* — Stuart M. Goldstein

(57) **CLAIM**

The ornamental design for a beverage cooler, as shown and described.

DESCRIPTION

(56) **References Cited**

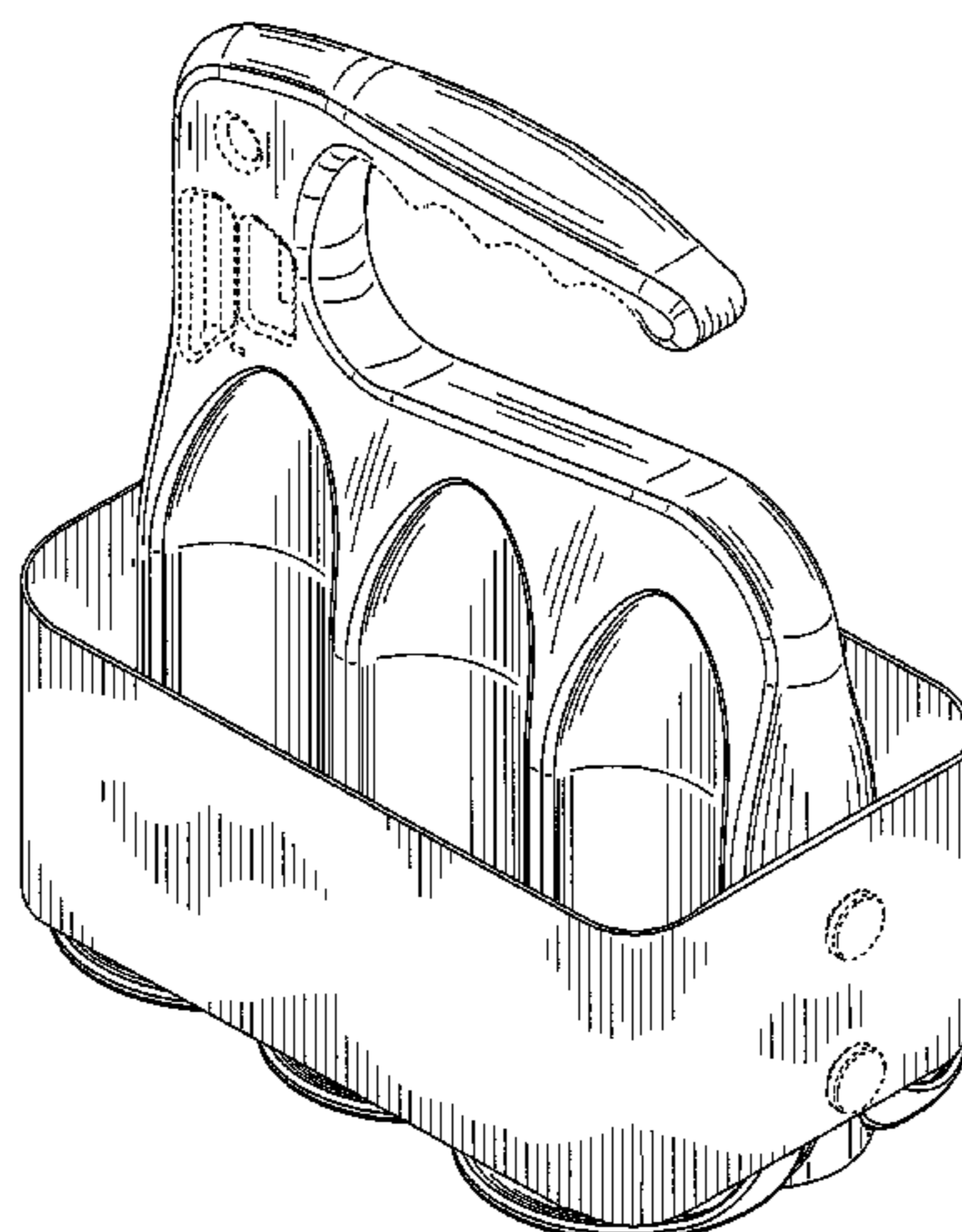
U.S. PATENT DOCUMENTS

2,648,954 A	9/1950	Wheeler et al.	
3,401,535 A *	9/1968	Palmer	62/457.5
4,266,407 A	5/1981	Gibson	
4,438,637 A *	3/1984	Atkinson	62/457.5
4,441,336 A	4/1984	Cannon	
D292,057 S	9/1987	Beal	
5,458,234 A	10/1995	Harris	
5,522,239 A	6/1996	Schwartz et al.	
5,538,131 A	7/1996	Harrelson	
5,562,228 A	10/1996	Ericson	
5,593,027 A	1/1997	Sutherland	
5,806,338 A	9/1998	Schwartz et al.	
D401,479 S	11/1998	Norman et al.	
5,845,515 A	12/1998	Nelson	
5,848,695 A	12/1998	Harris et al.	
5,871,090 A	2/1999	Doucette et al.	
5,901,571 A	5/1999	Whaley	
6,041,920 A	3/2000	Hart et al.	
6,067,813 A *	5/2000	Smith	62/371
6,102,197 A	8/2000	Negelen	
6,112,977 A	9/2000	Sutherland et al.	
6,131,729 A	10/2000	Eckermann et al.	
6,247,585 B1	6/2001	Holley, Jr.	
6,446,461 B1	9/2002	Williams, Jr.	
6,571,941 B2	6/2003	Holley, Jr.	
6,834,762 B2	12/2004	Krisko et al.	

FIG. 1 is a perspective view from the top, front, right corner of a beverage cooler;
FIG. 2 is a left side elevation view of the beverage cooler of FIG. 1;
FIG. 3 is a right side elevation view of the beverage cooler of FIG. 1;
FIG. 4 is a front elevation view of the beverage cooler of FIG. 1, the rear elevation view being a mirror image thereof;
FIG. 5 is a top plan view of the beverage cooler of FIG. 1;
FIG. 6 is a perspective view from the top, front, right corner of a partially-assembled beverage cooler that is shown without the beverage retaining strap of FIG. 1;
FIG. 7 is a left side elevation view of the partially-assembled beverage cooler of FIG. 6;
FIG. 8 is a right side elevation view of the partially-assembled beverage cooler of FIG. 6;
FIG. 9 is a front elevation view of the partially-assembled beverage cooler of FIG. 6, the rear elevation view being a mirror image thereof; and,
FIG. 10 is a top plan view of the partially-assembled beverage cooler of FIG. 6.

The broken lines are for illustration purposes only and form no part of the claimed design.

1 Claim, 8 Drawing Sheets



US D648,987 S

Page 2

U.S. PATENT DOCUMENTS			
7,677,387	B2	3/2010	Brand et al.
7,779,997	B2	8/2010	Cuomo
2002/0112501	A1*	8/2002	Williams, Jr. 62/457.4
2004/0104134	A1	6/2004	Skolik et al.
2009/0127139	A1	5/2009	Picciolo
2010/0006458	A1	1/2010	Wilkins et al.
			* cited by examiner

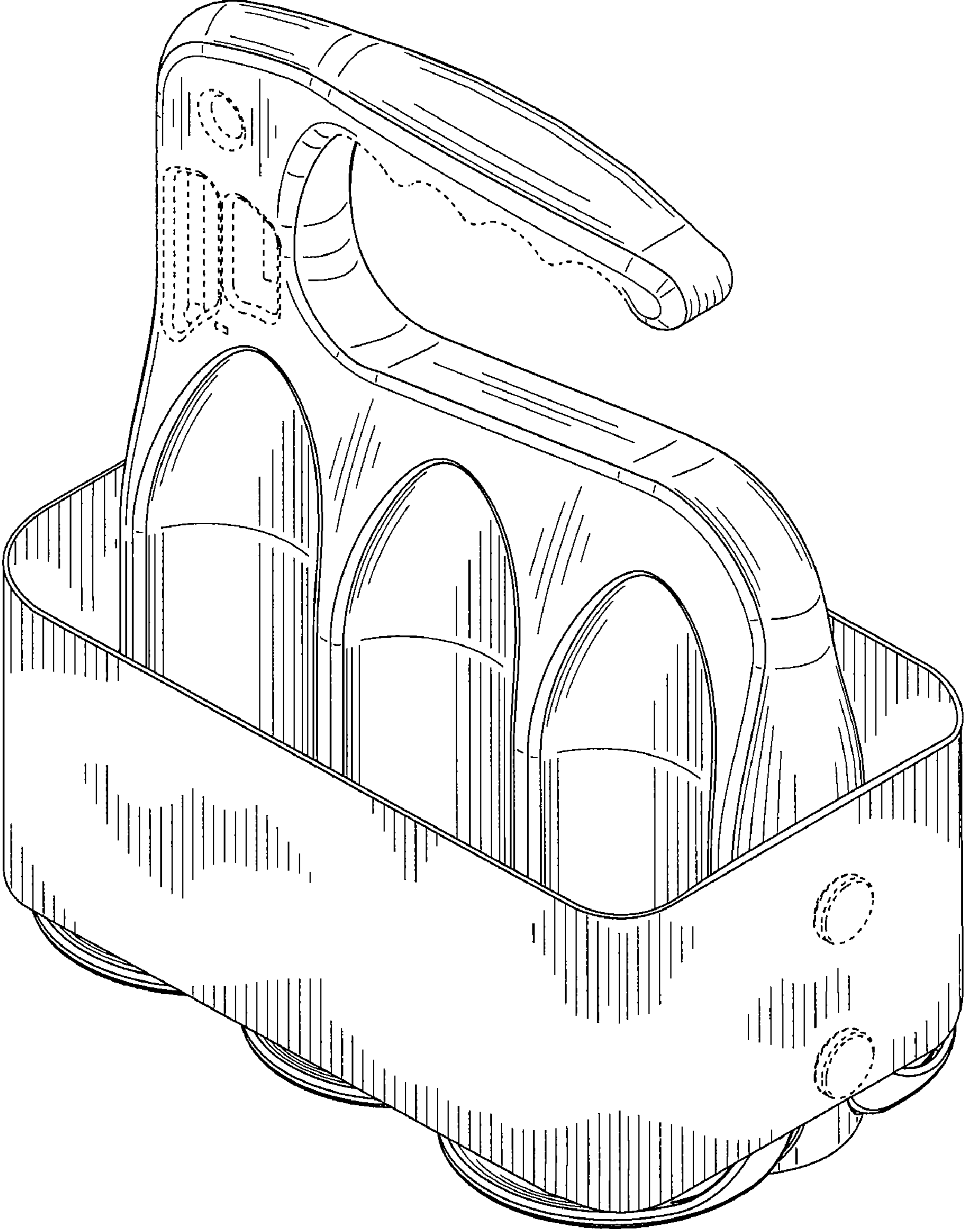


FIG. 1

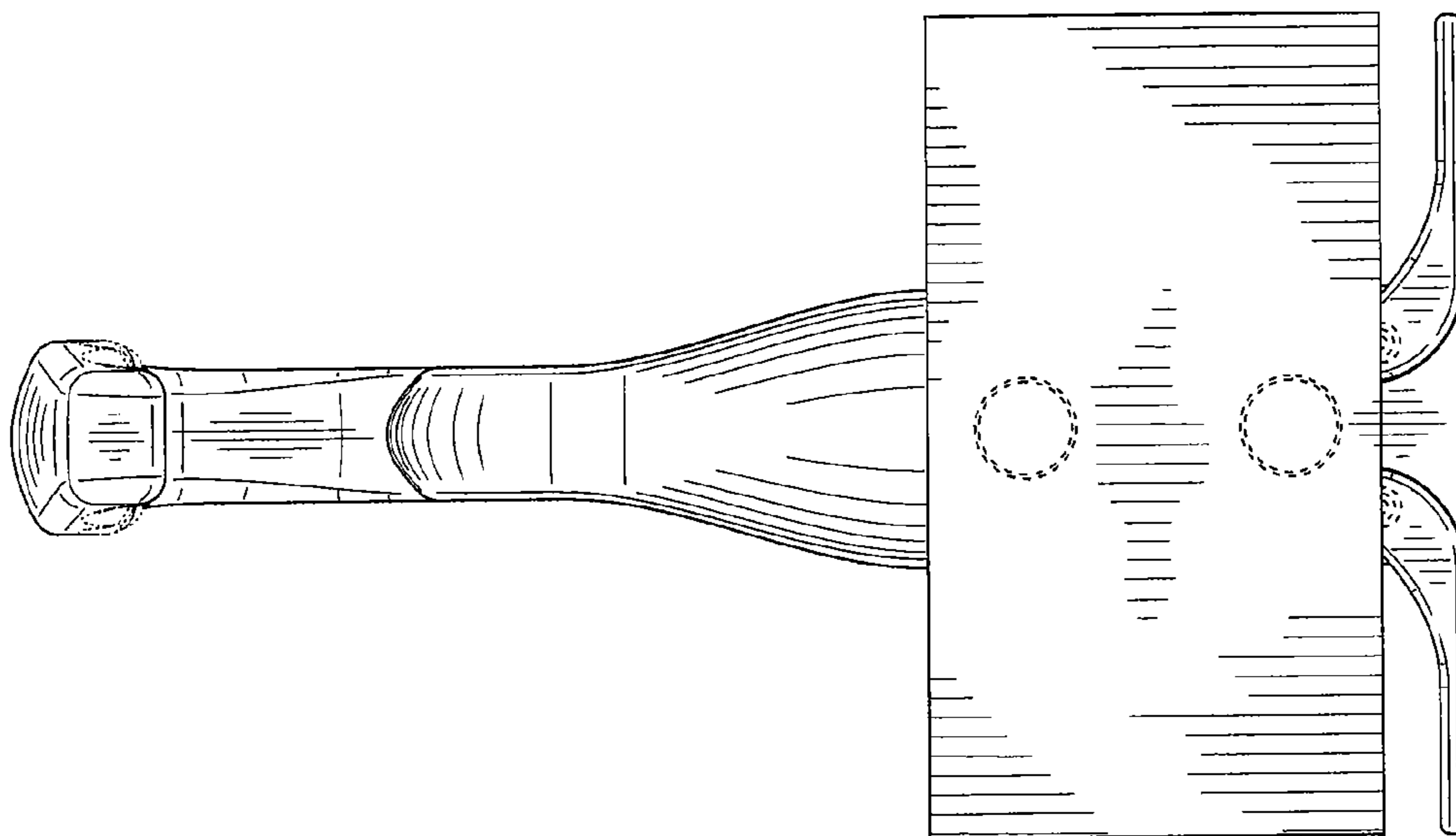


FIG. 3

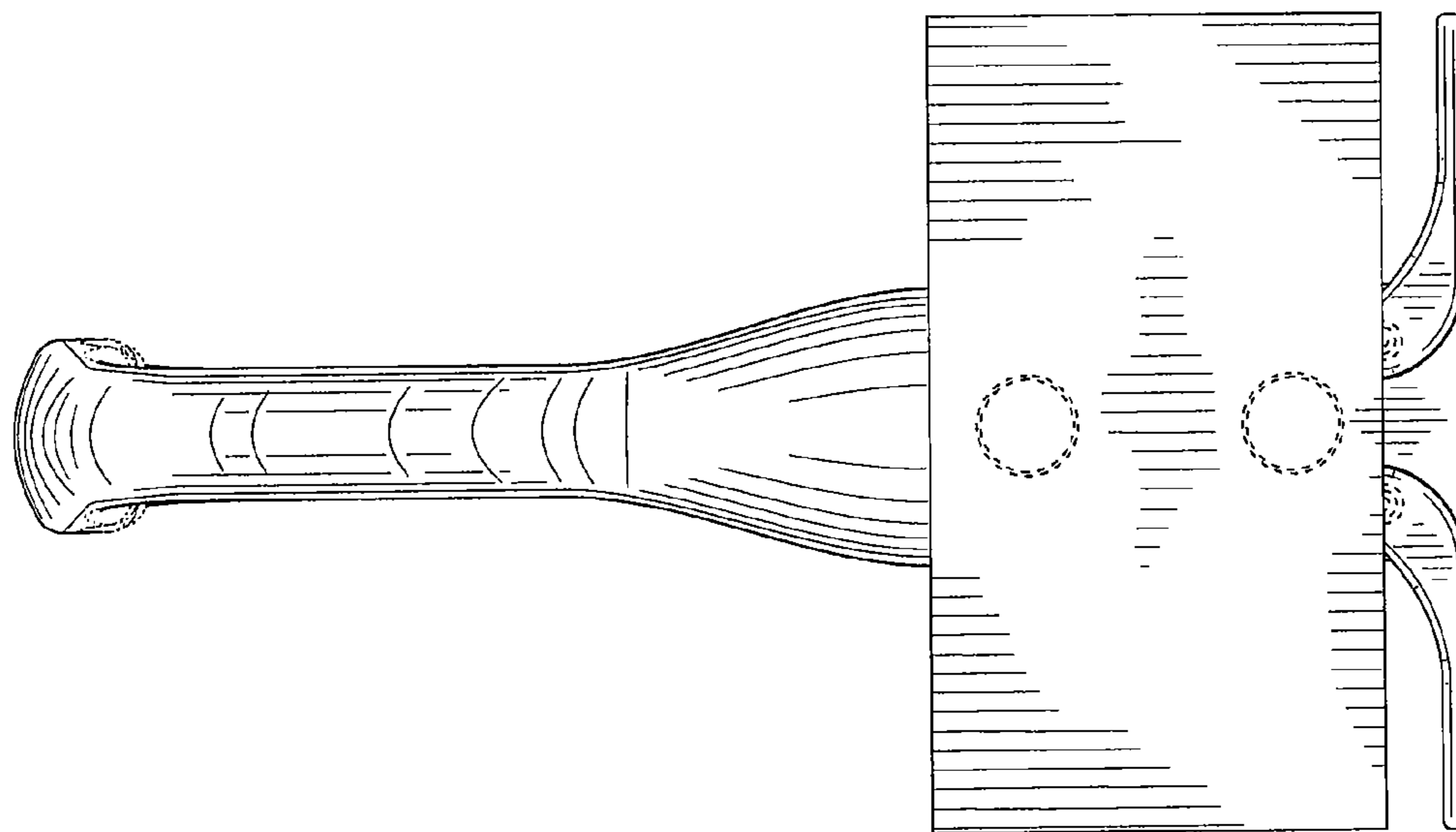


FIG. 2

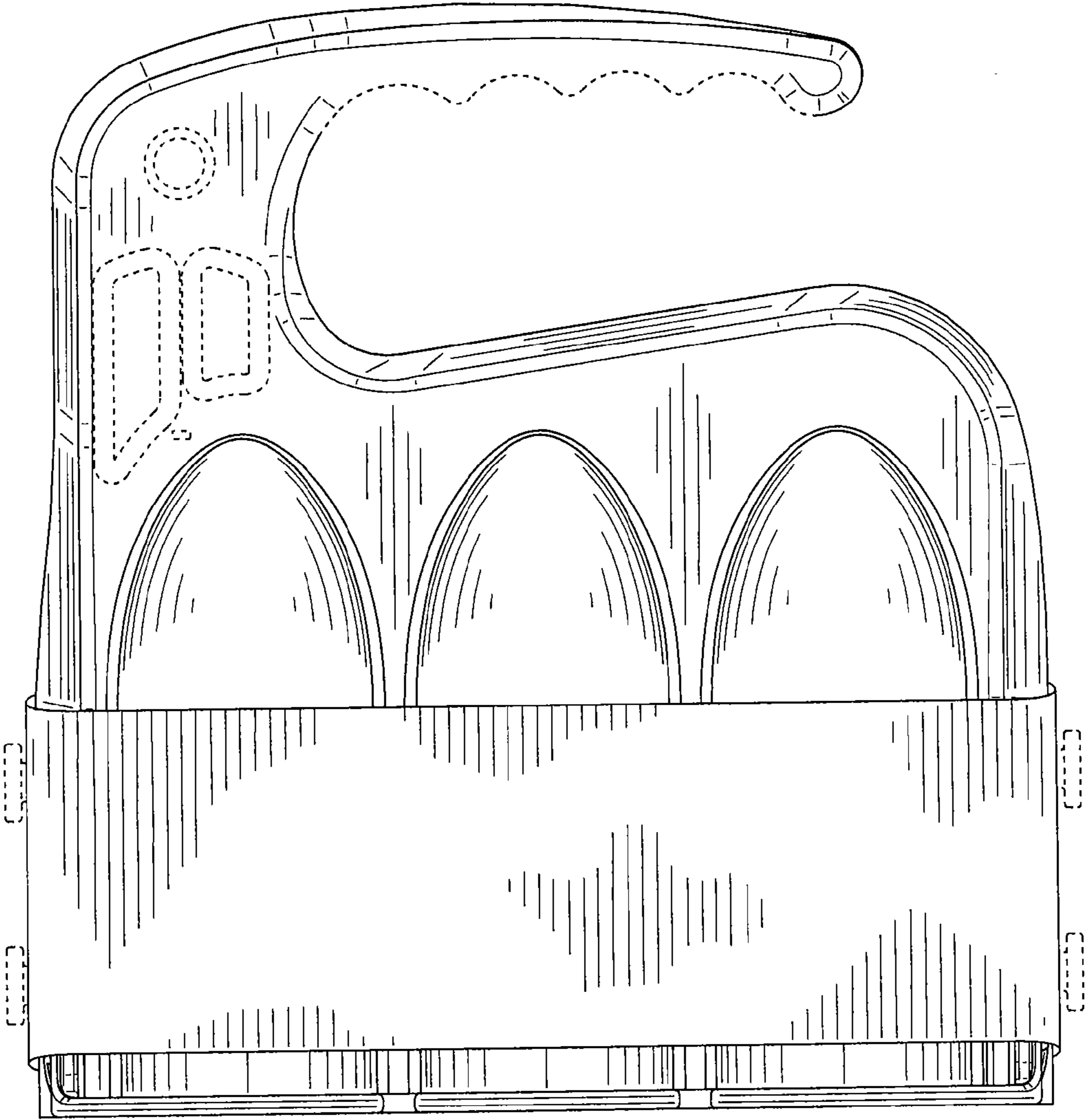


FIG. 4

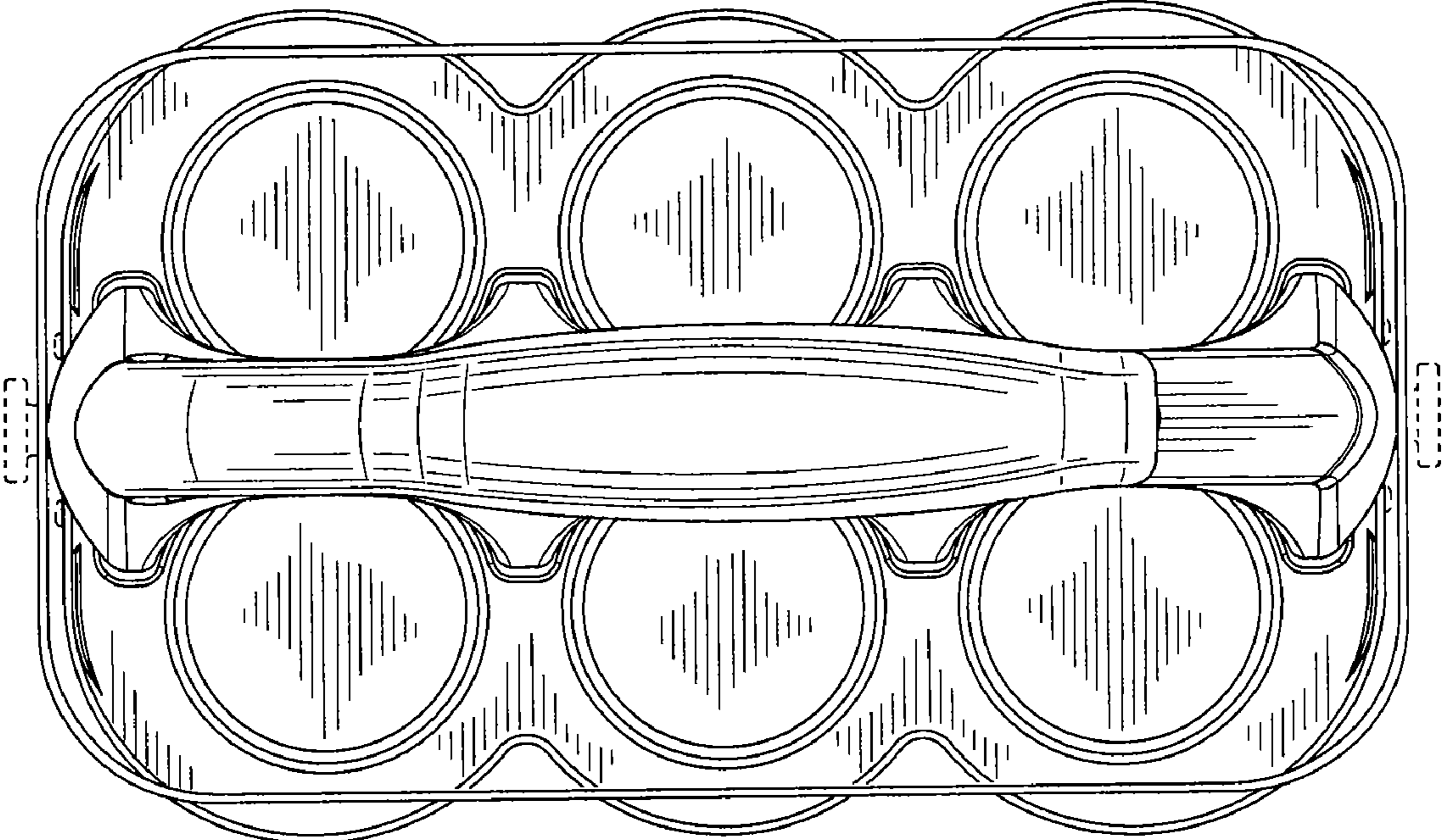


FIG. 5

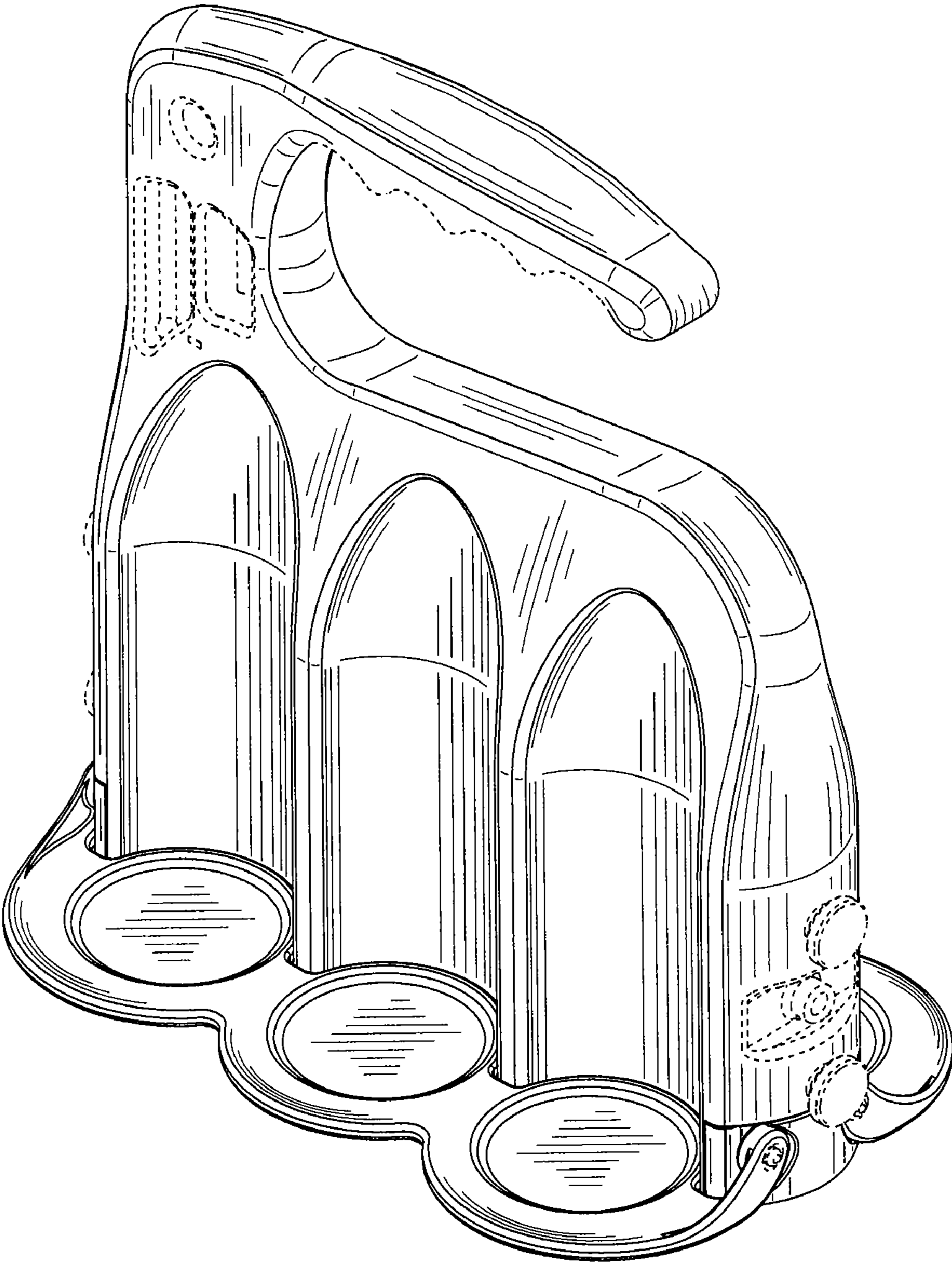


FIG. 6

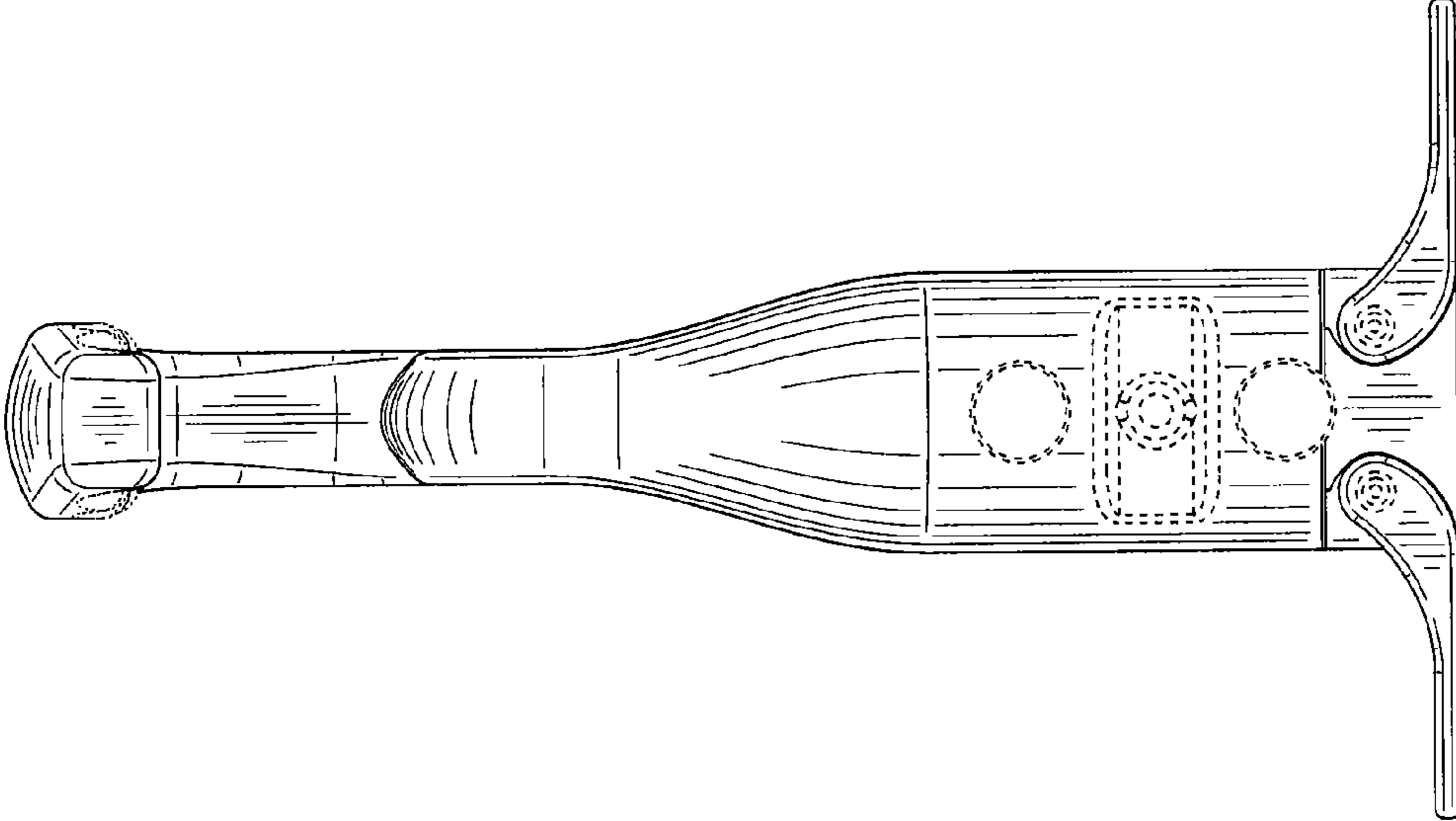


FIG. 8

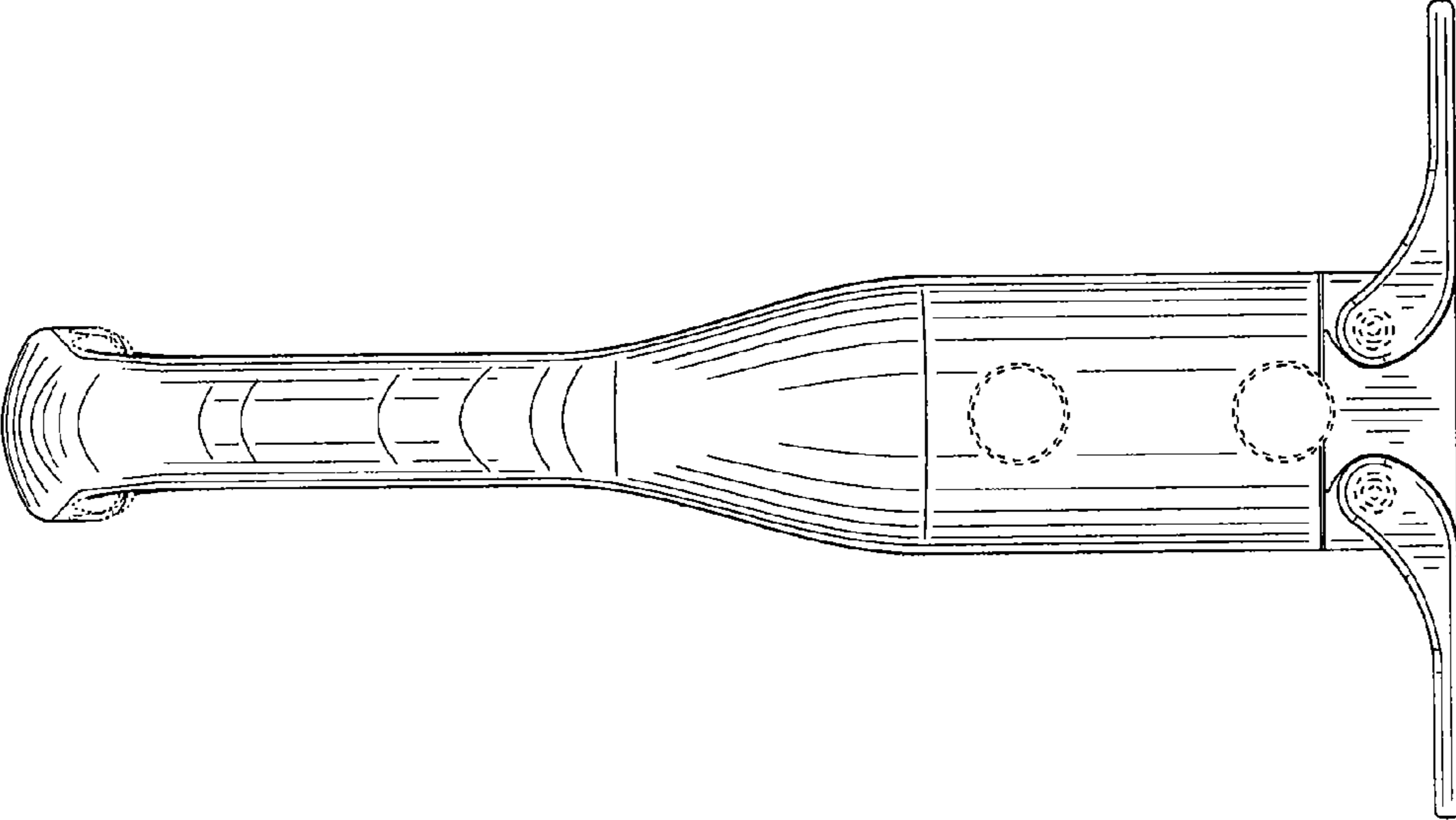


FIG. 7

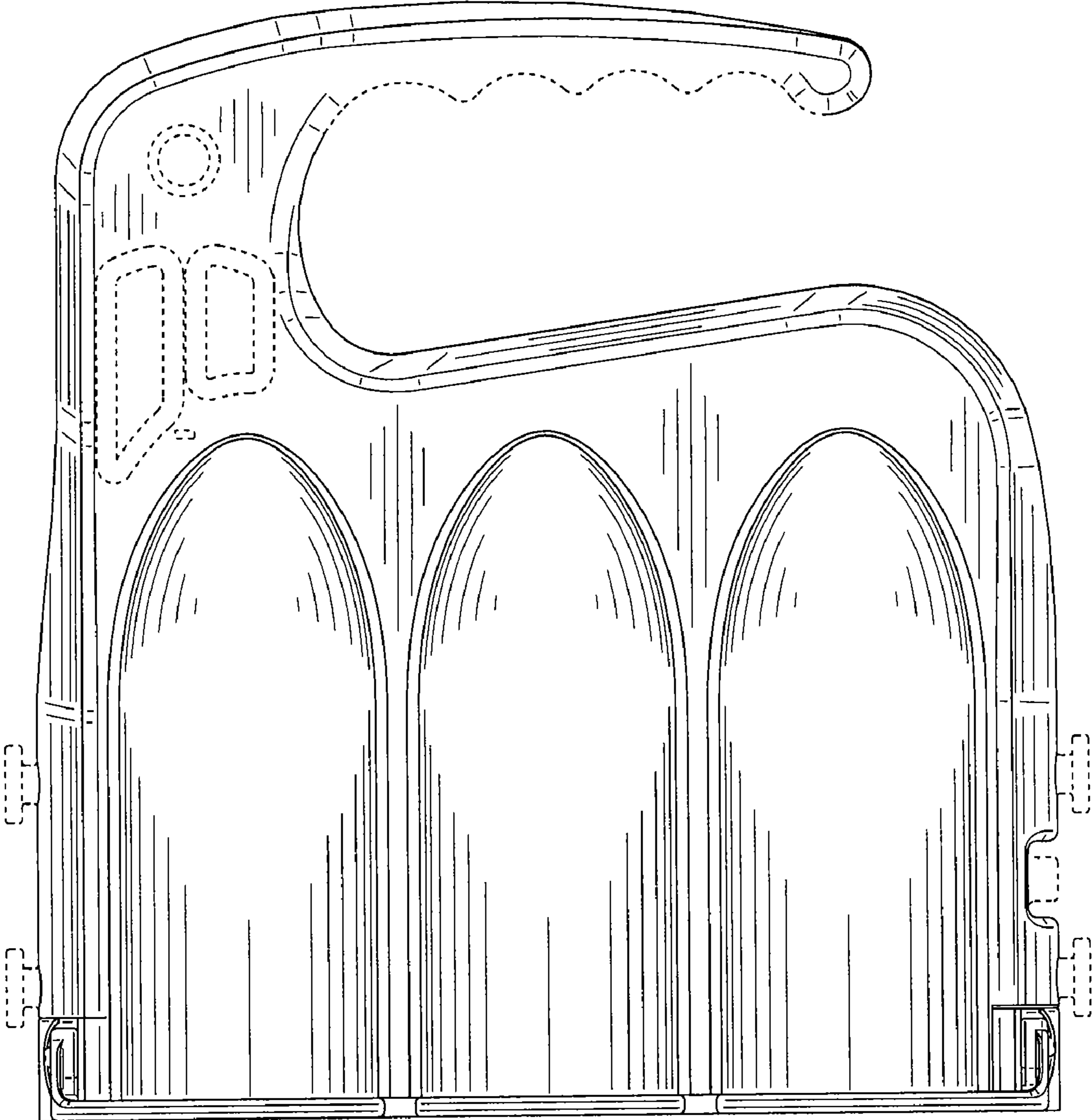


FIG. 9

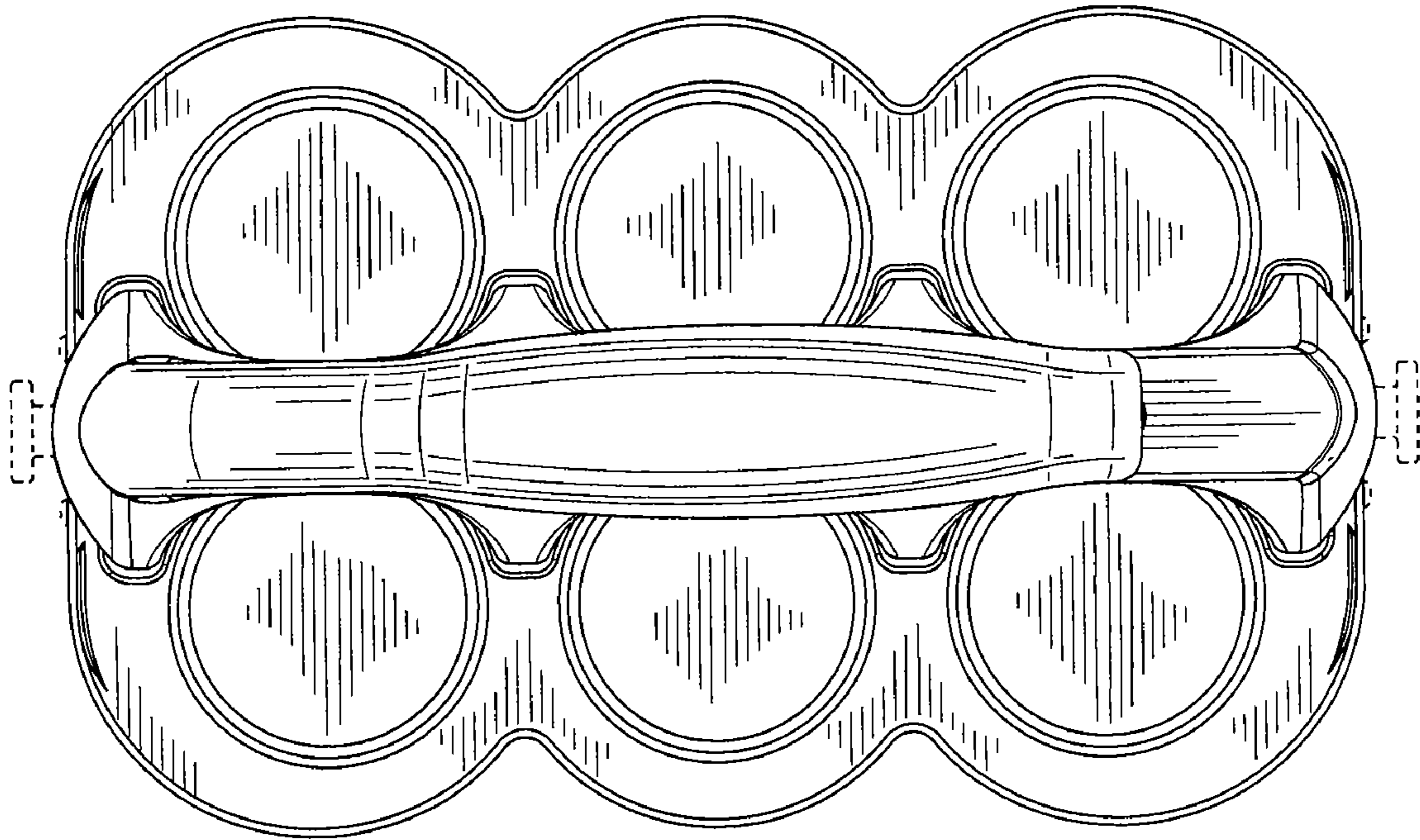


FIG. 10