



US00D648975S

(12) **United States Design Patent**  
**Chiang**

(10) **Patent No.:** **US D648,975 S**

(45) **Date of Patent:** **\*\* Nov. 22, 2011**

(54) **BARBECUE GRILL**

(76) Inventor: **Tzu-Yun Chiang**, Taichung (TW)

(\*\*) Term: **14 Years**

(21) Appl. No.: **29/383,976**

(22) Filed: **Jan. 25, 2011**

(51) **LOC (9) Cl.** ..... **07-02**

(52) **U.S. Cl.** ..... **D7/332**

(58) **Field of Classification Search** ..... D7/332,  
D7/334-337, 402-405, 338, 417; 126/25 R,  
126/25 A, 25 AA, 25 B, 273 R, 9 R, 38, 40,  
126/50, 9 B, 48, 29-30, 43-44, 26, 372, 314,  
126/307 R, 312, 292; 99/339, 448, 449,  
99/481-482, 516, 340-341; 431/331

See application file for complete search history.

(56) **References Cited**

**U.S. PATENT DOCUMENTS**

D462,563 S \* 9/2002 Bossler ..... D7/334  
D463,708 S \* 10/2002 Bossler ..... D7/334  
D508,365 S \* 8/2005 Nipke et al. .... D7/334

D516,366 S \* 3/2006 Nipke et al. .... D7/334  
D525,818 S \* 8/2006 Chung ..... D7/332  
D564,824 S \* 3/2008 Henry ..... D7/334

\* cited by examiner

*Primary Examiner* — Ruth McInroy

(74) *Attorney, Agent, or Firm* — C. G. Mersereau; Nikolai & Mersereau, P.A.

(57) **CLAIM**

The ornamental design for a barbecue grill, as shown.

**DESCRIPTION**

FIG. 1 is a perspective view of a barbecue grill, showing my design;

FIG. 2 is a front view thereof;

FIG. 3 is a rear view thereof;

FIG. 4 is a left side view thereof;

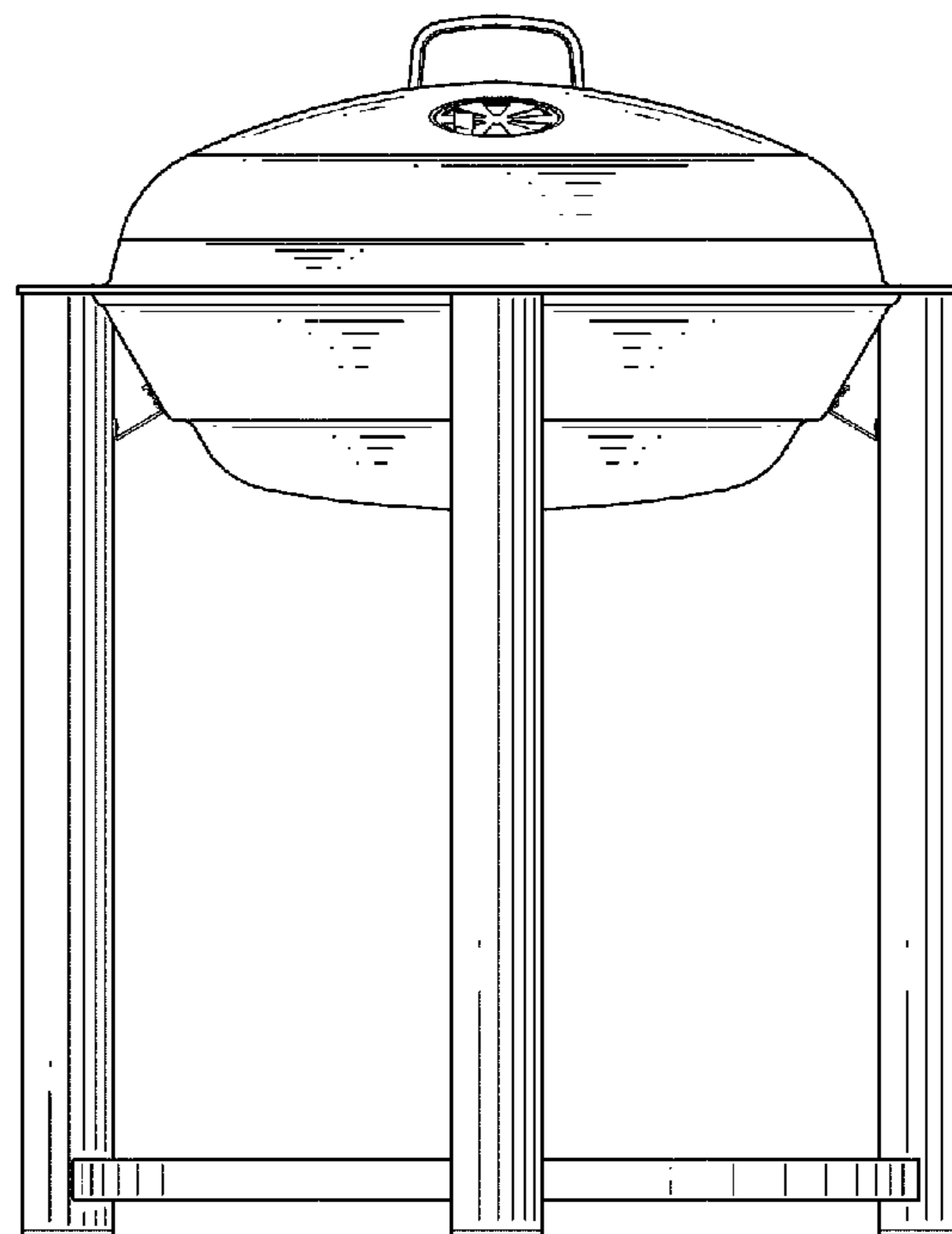
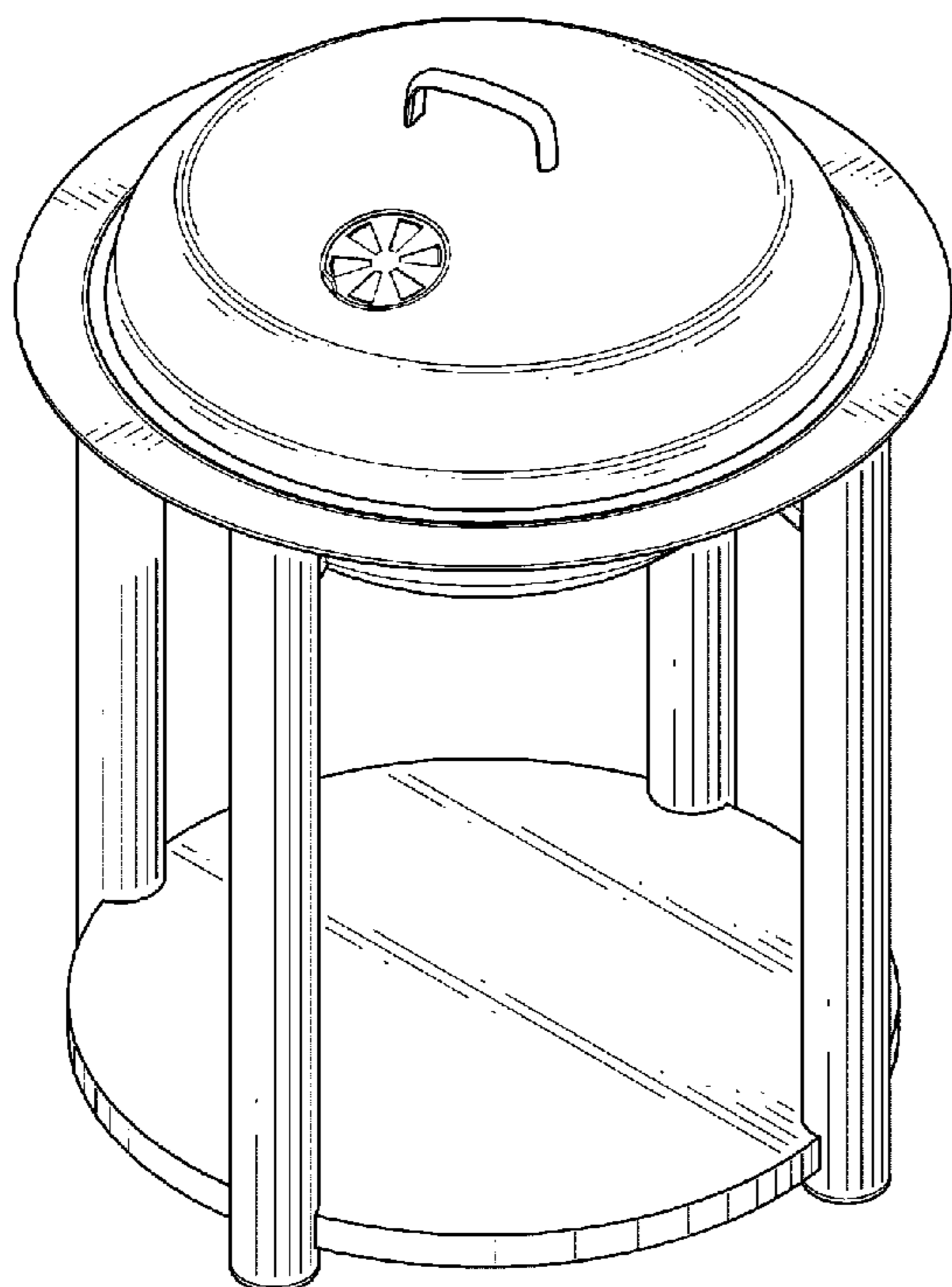
FIG. 5 is a right side view thereof;

FIG. 6 is a top view thereof;

FIG. 7 is a bottom view thereof; and,

FIG. 8 is a bottom perspective view thereof.

**1 Claim, 8 Drawing Sheets**



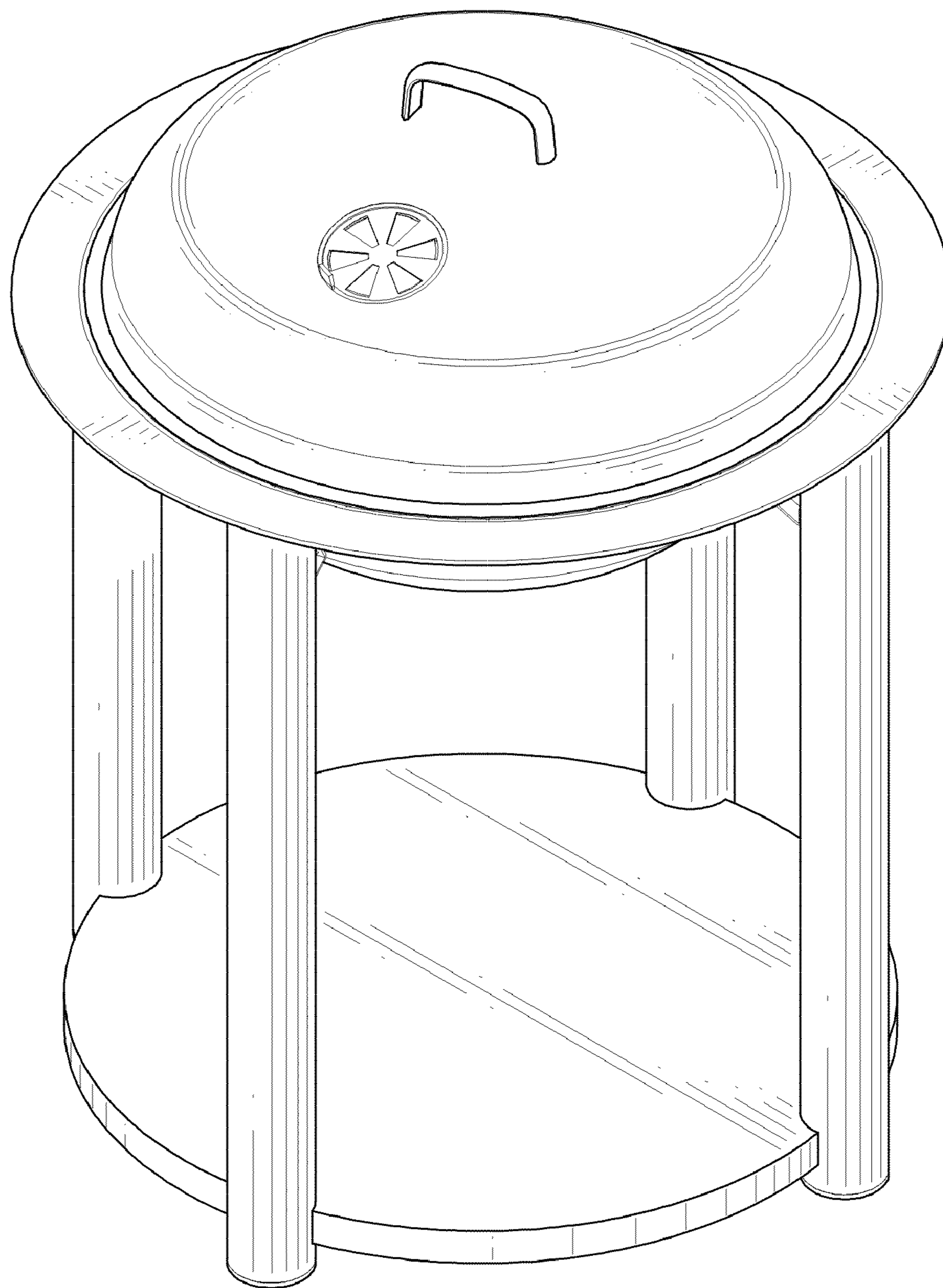


FIG. 1

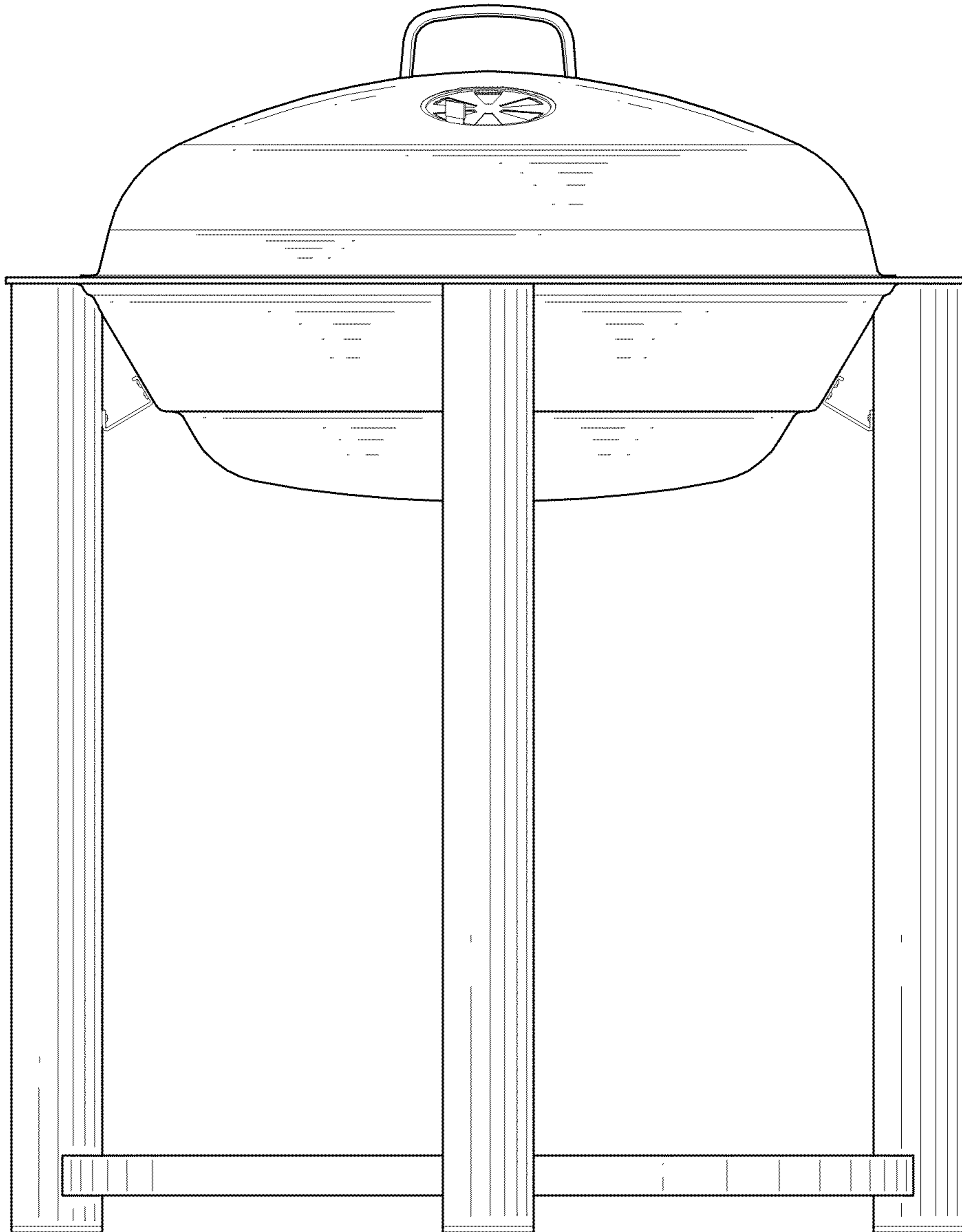


FIG. 2

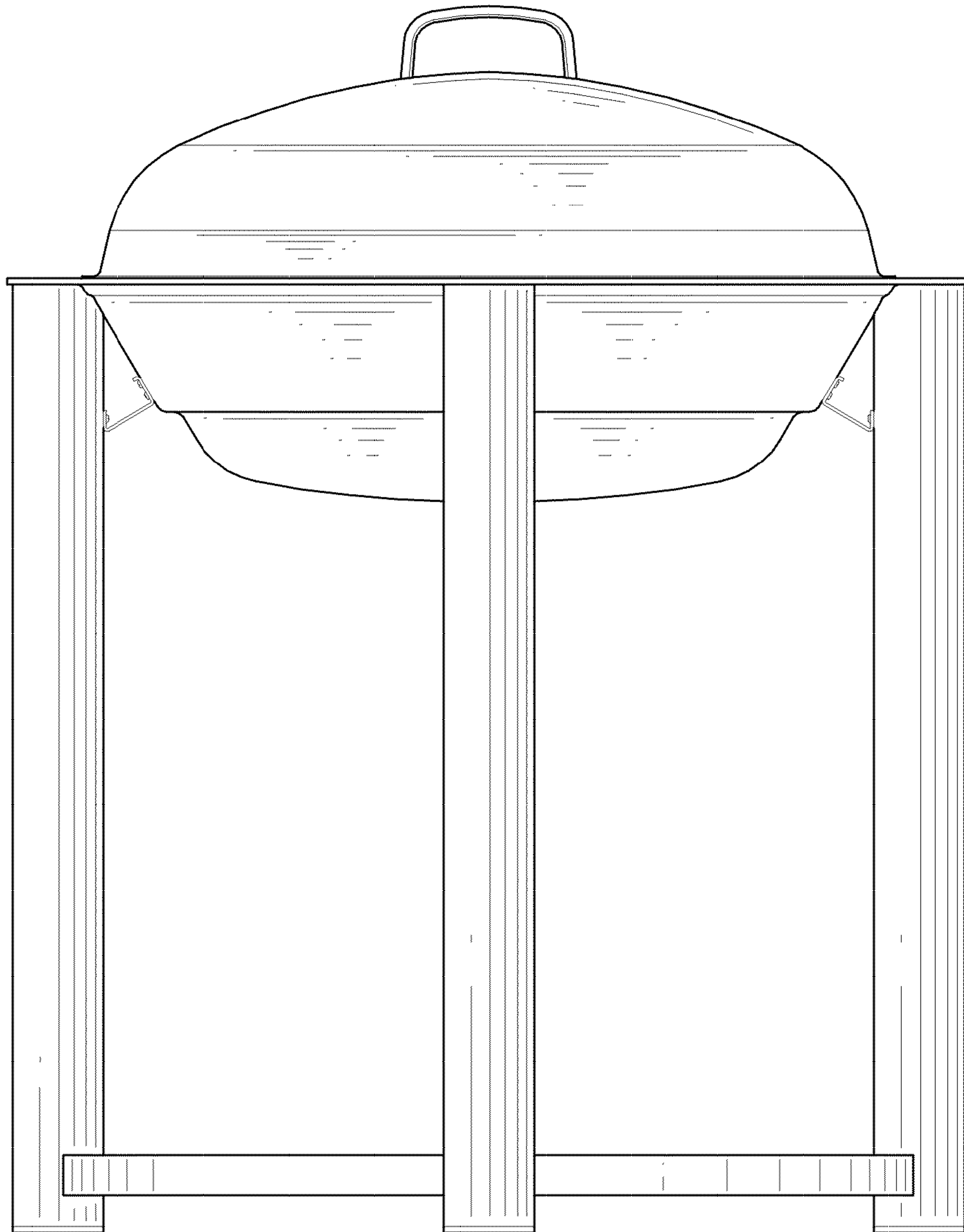


FIG. 3



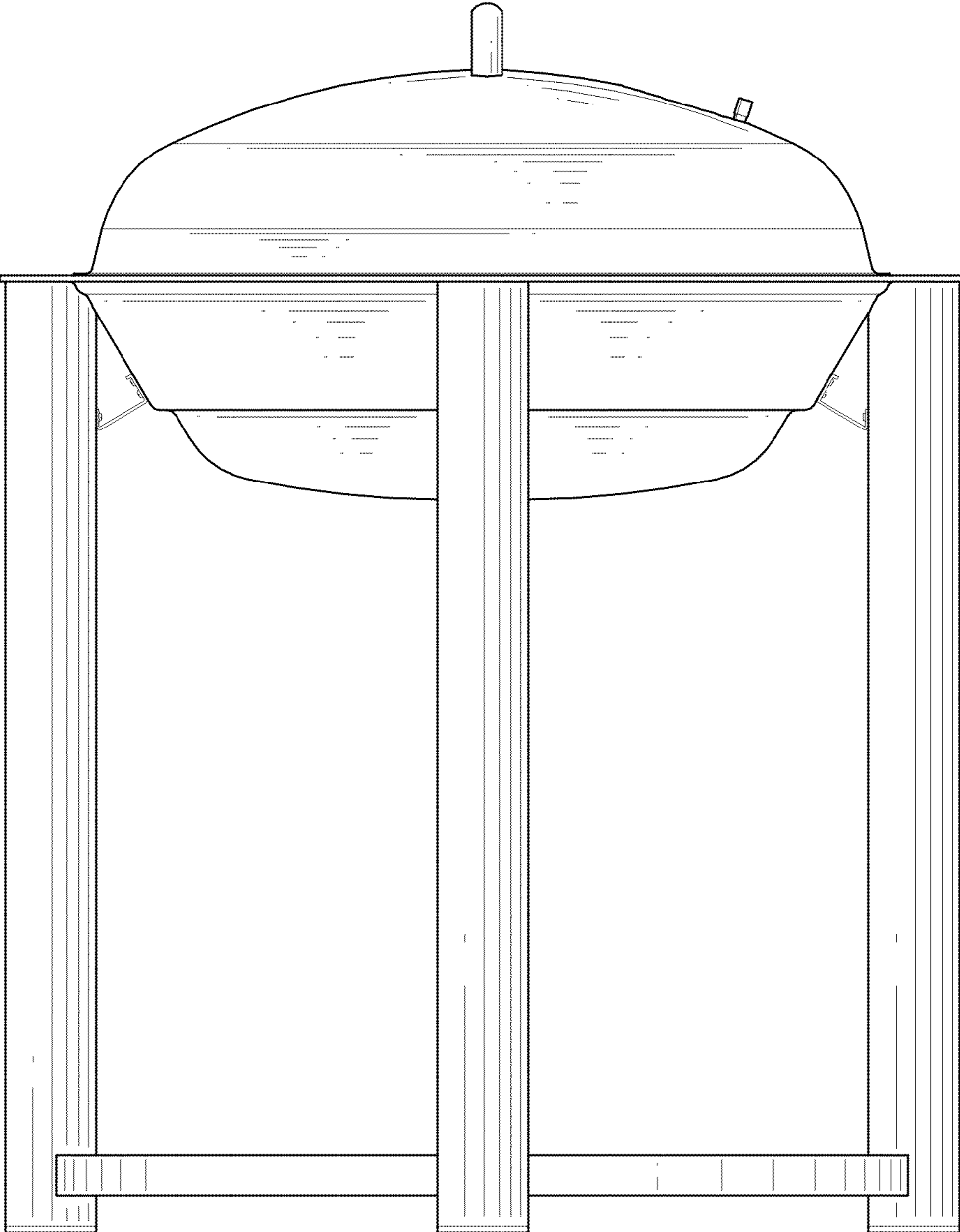


FIG. 4

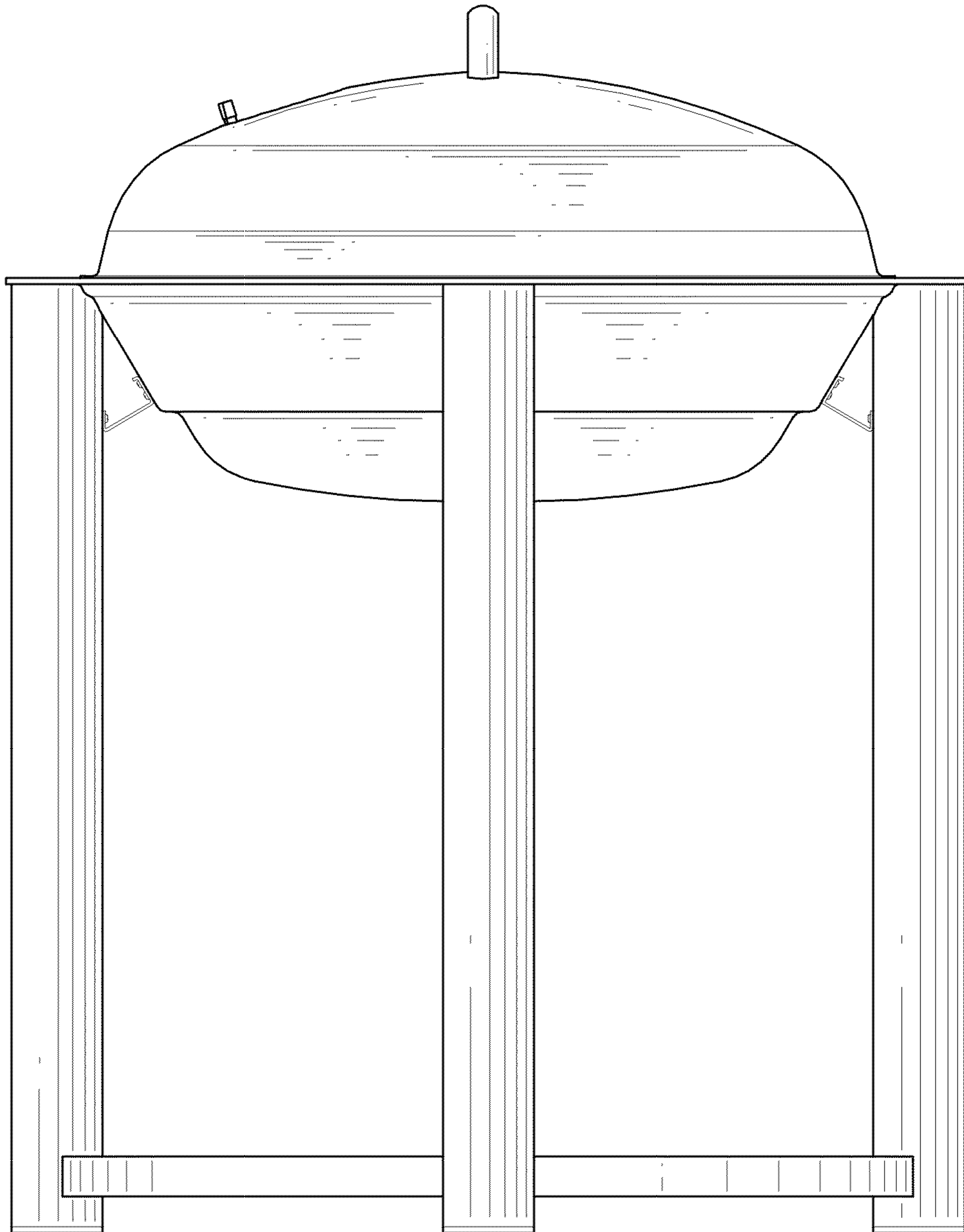


FIG. 5

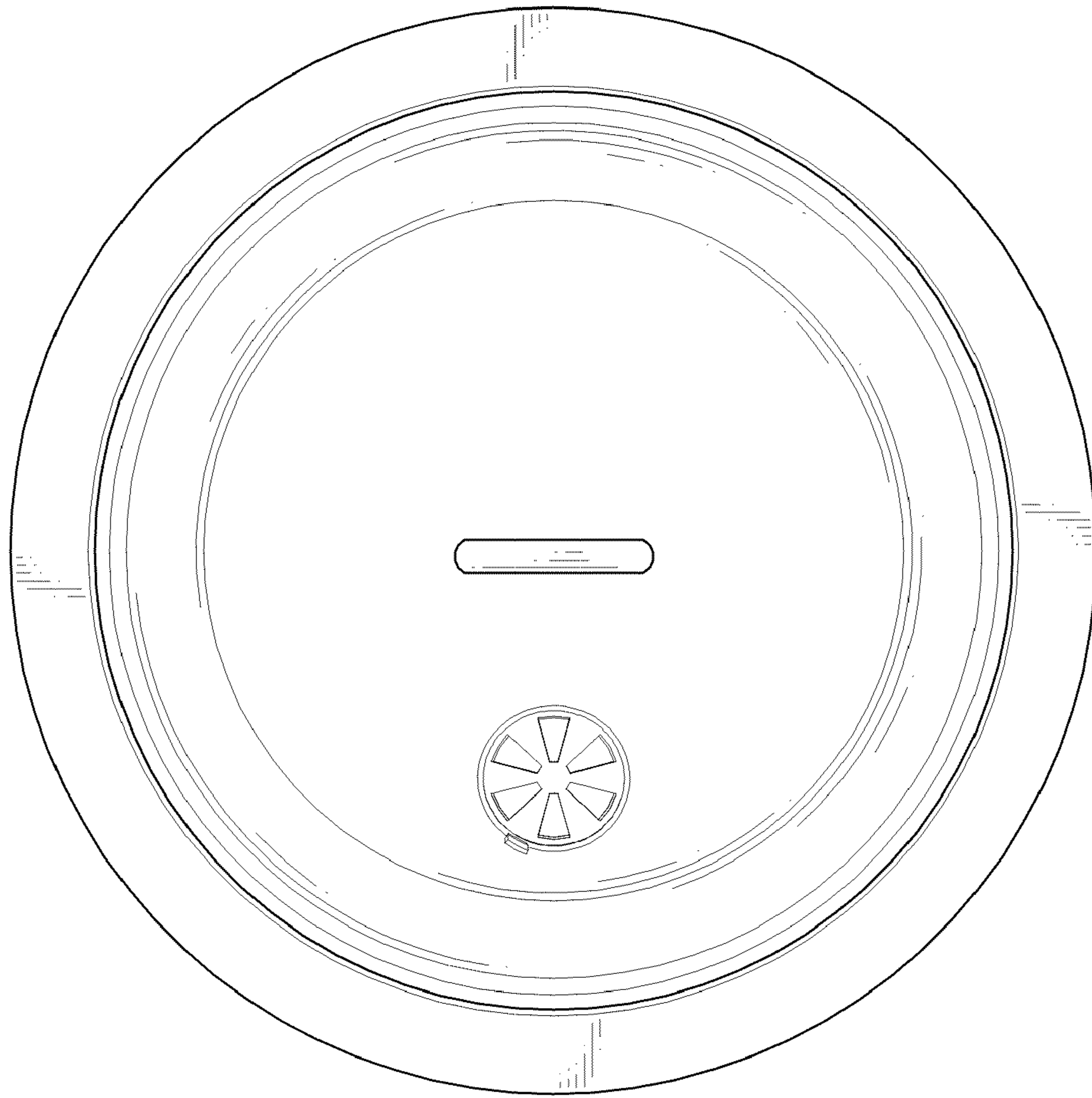


FIG. 6

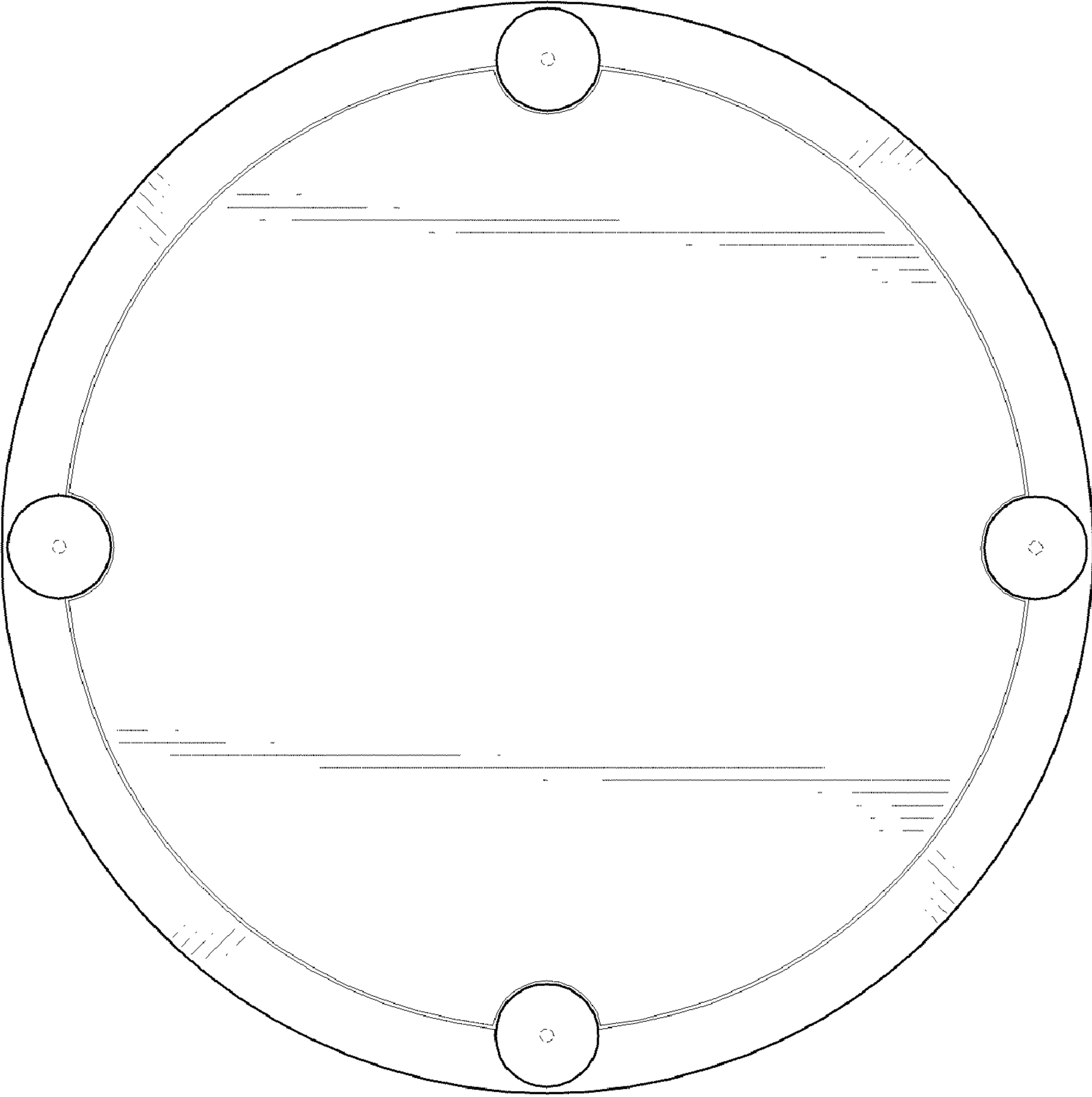


FIG. 7



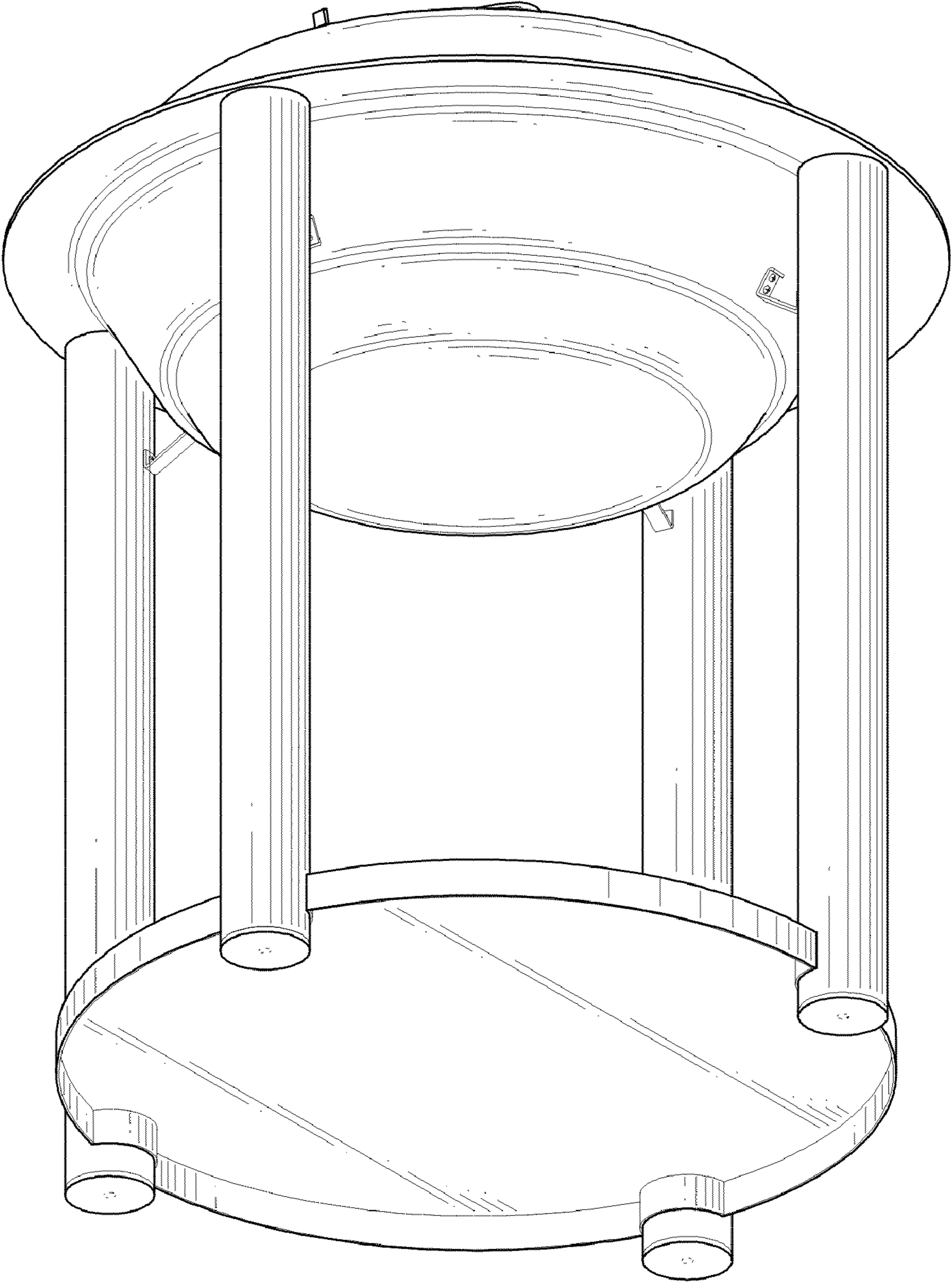


FIG. 8