



US00D648973S

(12) **United States Design Patent**
De' Longhi

(10) **Patent No.:** **US D648,973 S**

(45) **Date of Patent:** **** Nov. 22, 2011**

(54) **COFFEE MAKER**

(75) **Inventor:** **Giuseppe De' Longhi, Treviso (IT)**

(73) **Assignee:** **De' Longhi Appliances ARL Con Unico Socio, Treviso (IT)**

(**) **Term:** **14 Years**

(21) **Appl. No.:** **29/383,107**

(22) **Filed:** **Jan. 12, 2011**

(30) **Foreign Application Priority Data**

Jul. 13, 2010 (EM) 1224489-0003

(51) **LOC (9) Cl.** **07-01**

(52) **U.S. Cl.** **D7/309; D7/311**

(58) **Field of Classification Search** D7/305-311,
D7/300; 99/295, 304, 323, 293
See application file for complete search history.

(56) **References Cited**

U.S. PATENT DOCUMENTS

D335,498 S *	5/1993	Kolada et al.	D15/80
D481,580 S *	11/2003	Daniels et al.	D7/309
D486,345 S *	2/2004	Schwamkrug	D7/309
D486,346 S *	2/2004	Jonsson	D7/309

D570,636 S *	6/2008	Kulujian et al.	D7/306
D586,603 S *	2/2009	Borin	D7/309
D587,511 S *	3/2009	Buttler	D7/309
D588,854 S *	3/2009	Hausner et al.	D7/309
D595,991 S *	7/2009	Zimmerman	D7/307
D598,693 S *	8/2009	Kindler et al.	D7/309
D601,848 S *	10/2009	Borin	D7/309
D603,207 S *	11/2009	Metz et al.	D7/307
D623,462 S *	9/2010	Ashbridge	D7/306
D638,650 S *	5/2011	Galeazzi	D7/309

* cited by examiner

Primary Examiner — Marianne Pandozzi

(74) *Attorney, Agent, or Firm* — Hamre, Schumann, Mueller & Larson, P.C.

(57) **CLAIM**

The ornamental design for a coffee maker, as shown and described.

DESCRIPTION

FIG. 1 is a front right perspective view or a coffee maker showing my new design;
FIG. 2 is a front view thereof;
FIG. 3 is a back view thereof;
FIG. 4 is a right side view thereof;
FIG. 5 is a left side view thereof.
FIG. 6 is a top view thereof; and,
FIG. 7 is a bottom view thereof.

1 Claim, 7 Drawing Sheets

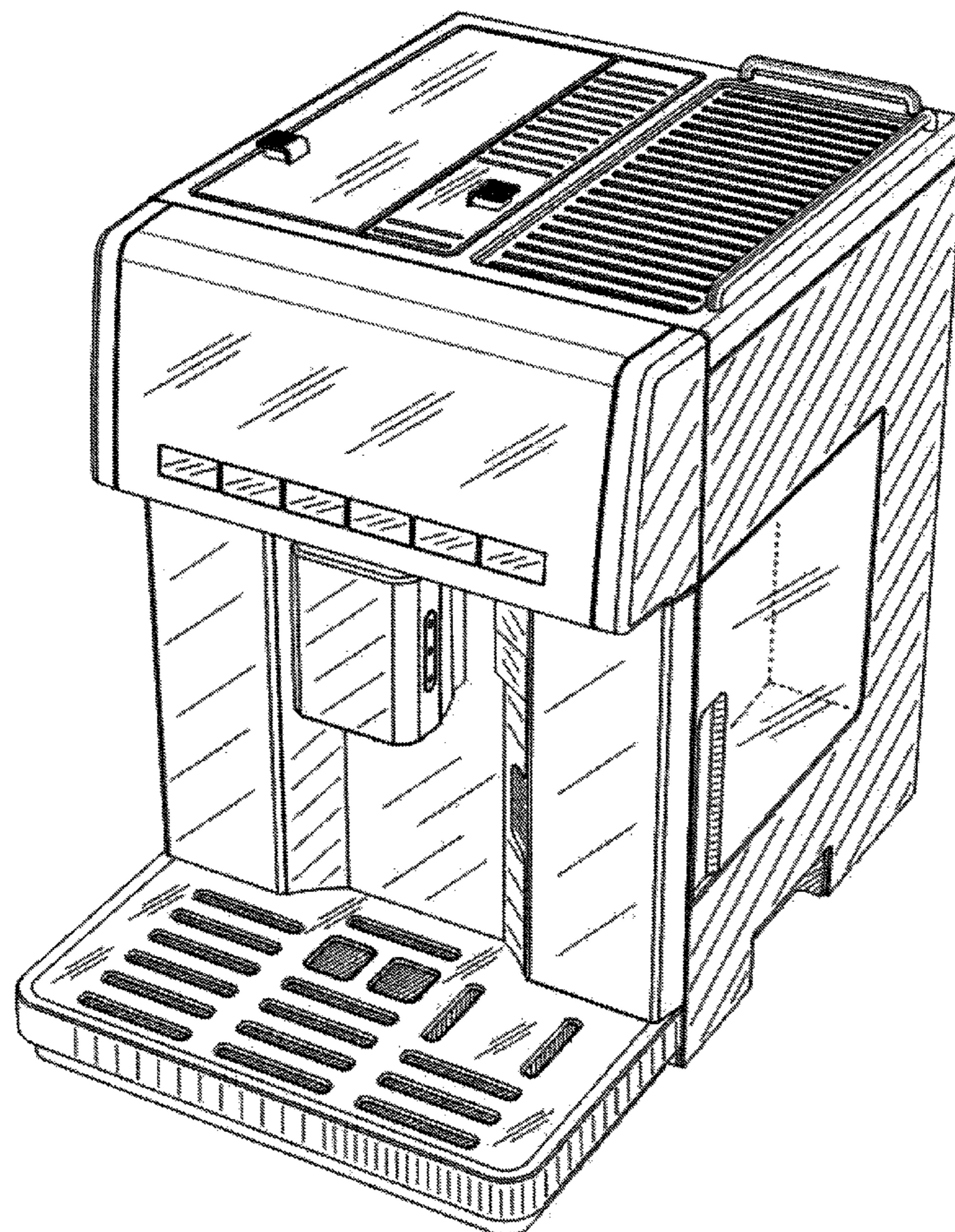


FIG. 1

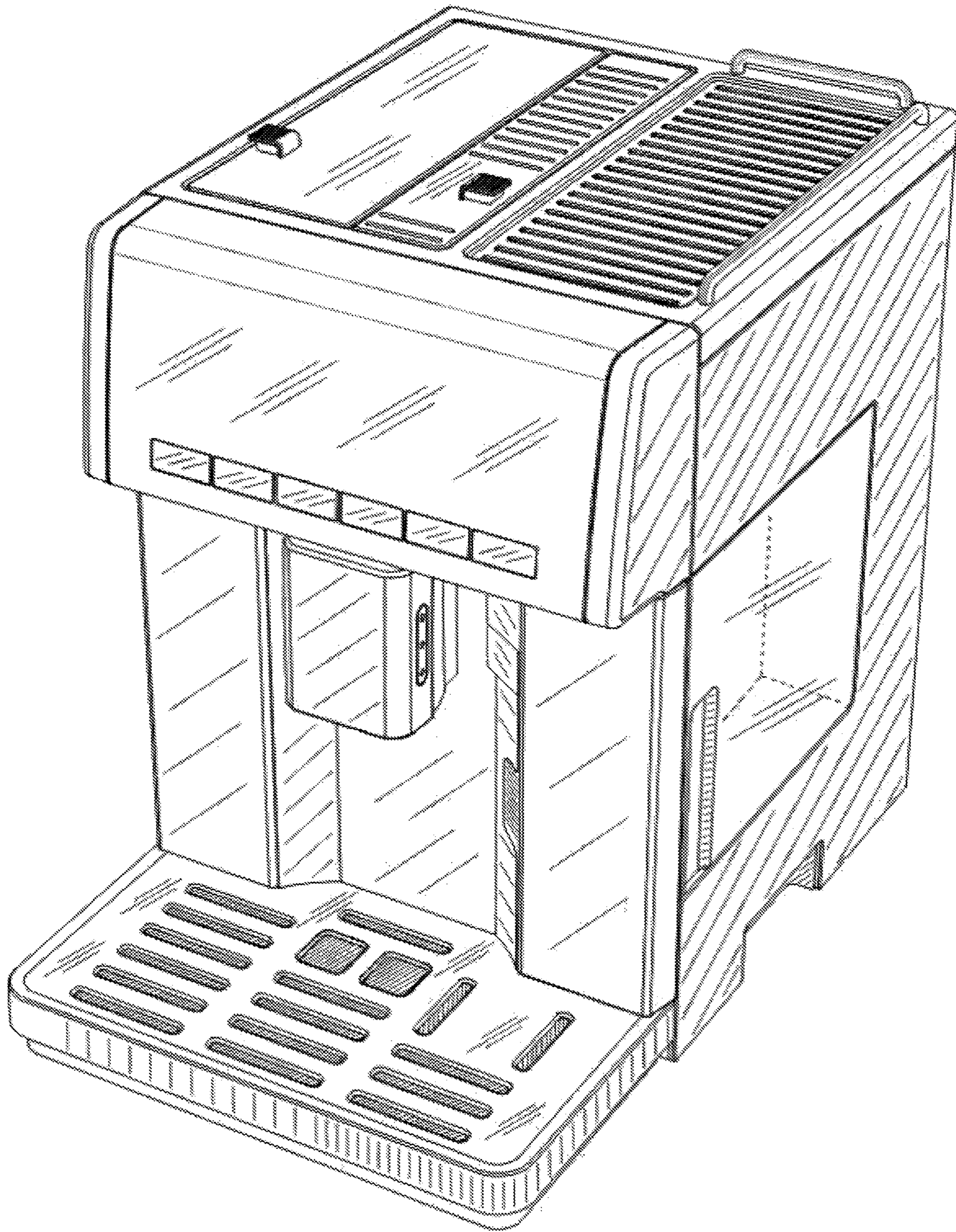


FIG. 2

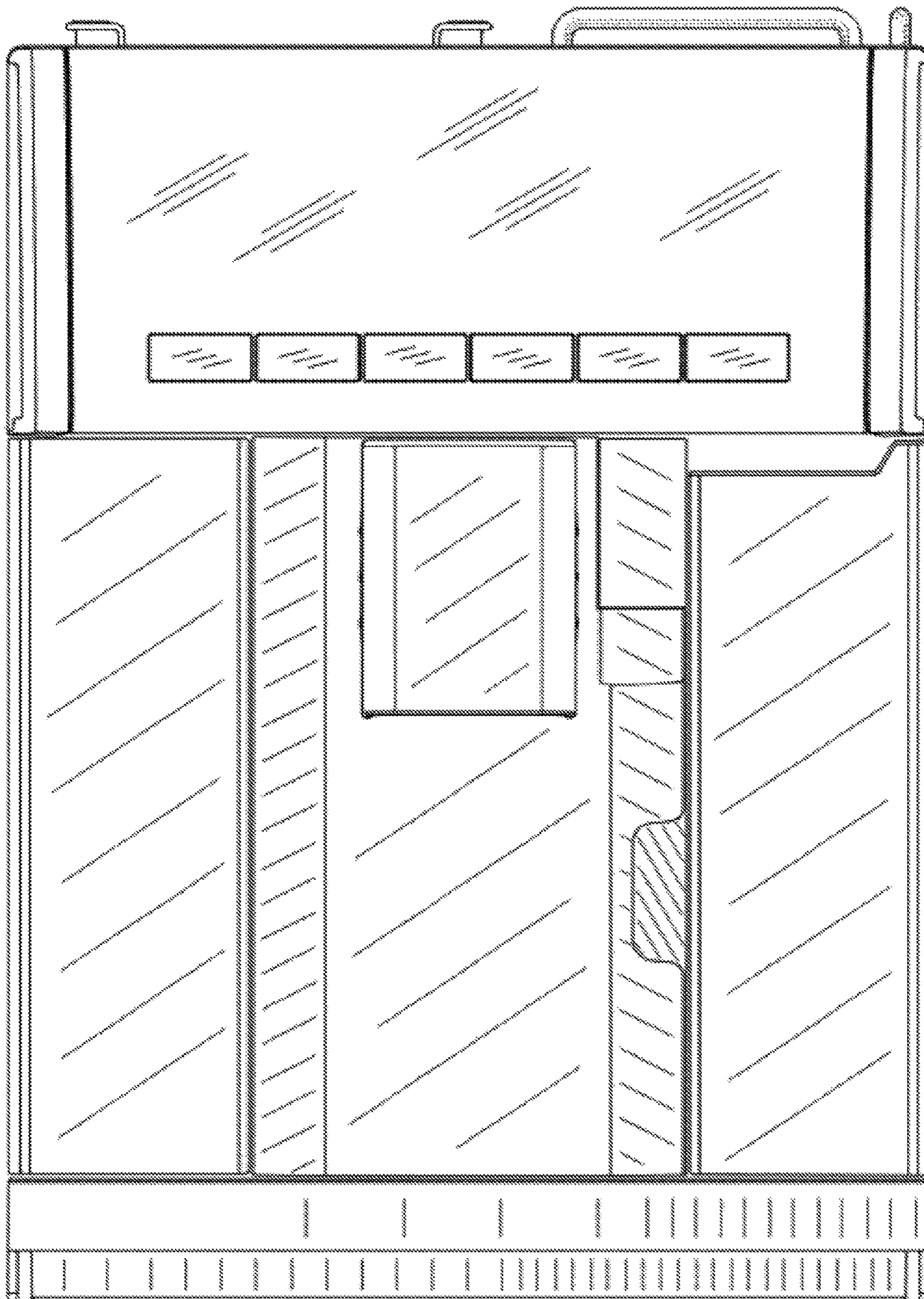


FIG. 3

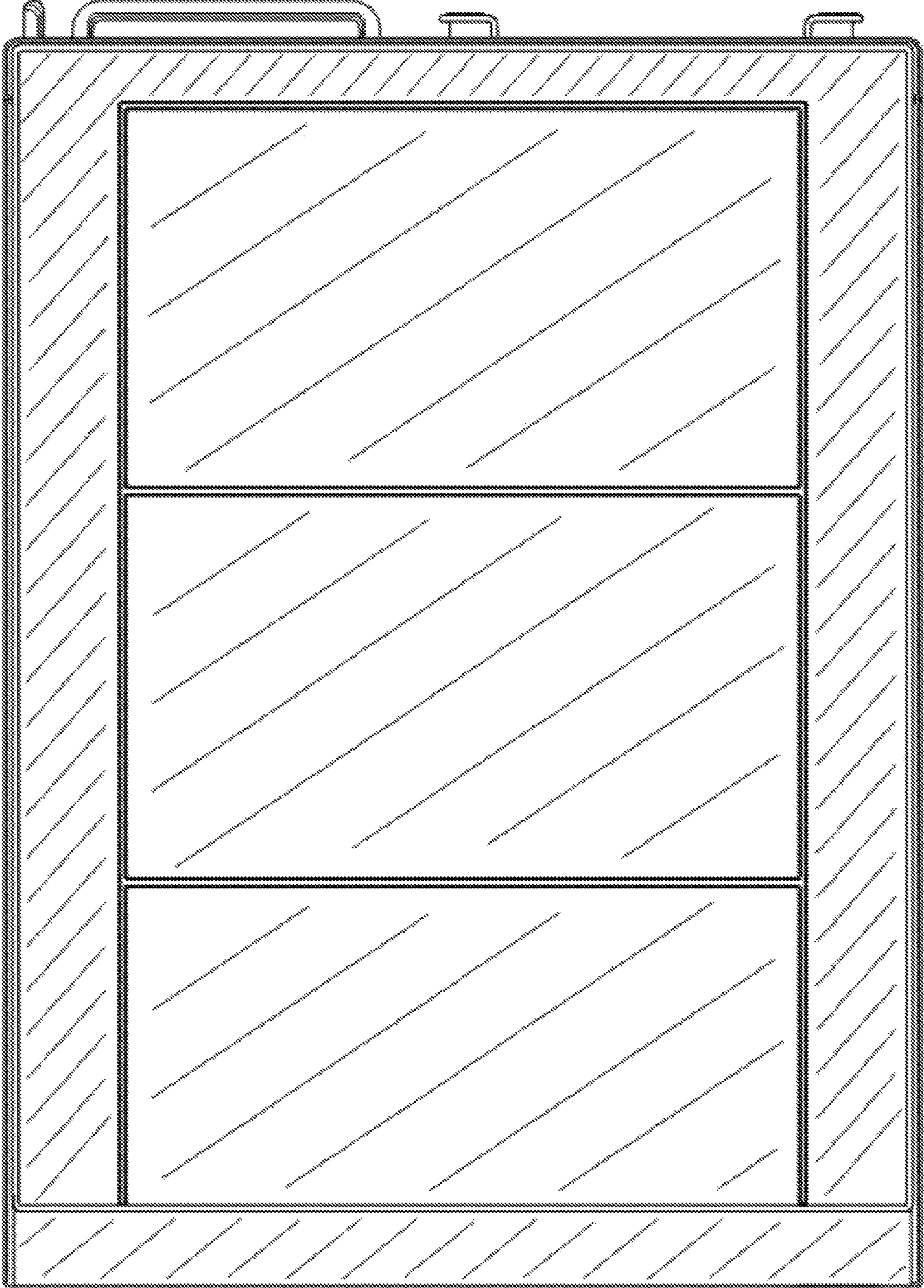


FIG. 4

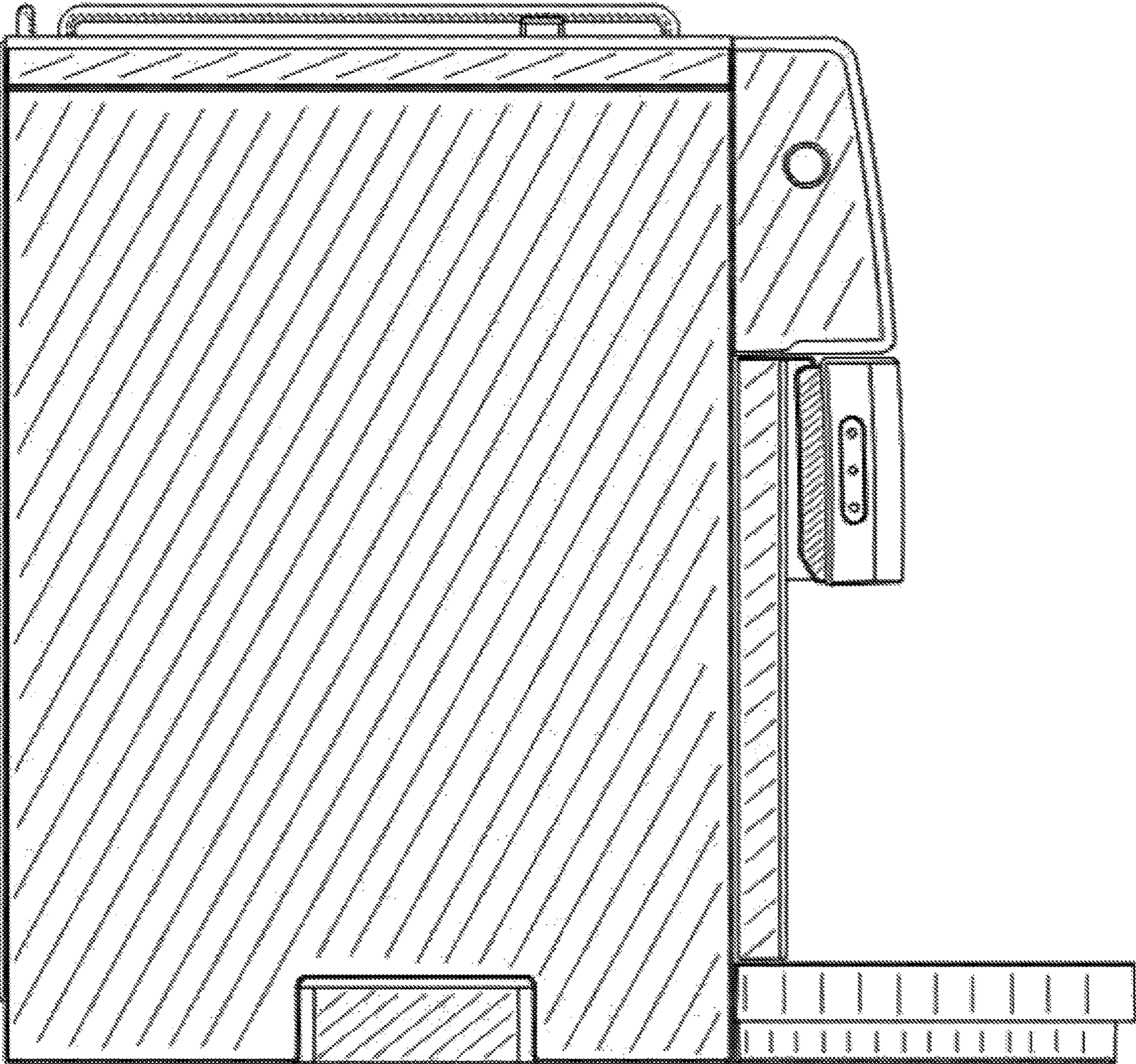


FIG. 5

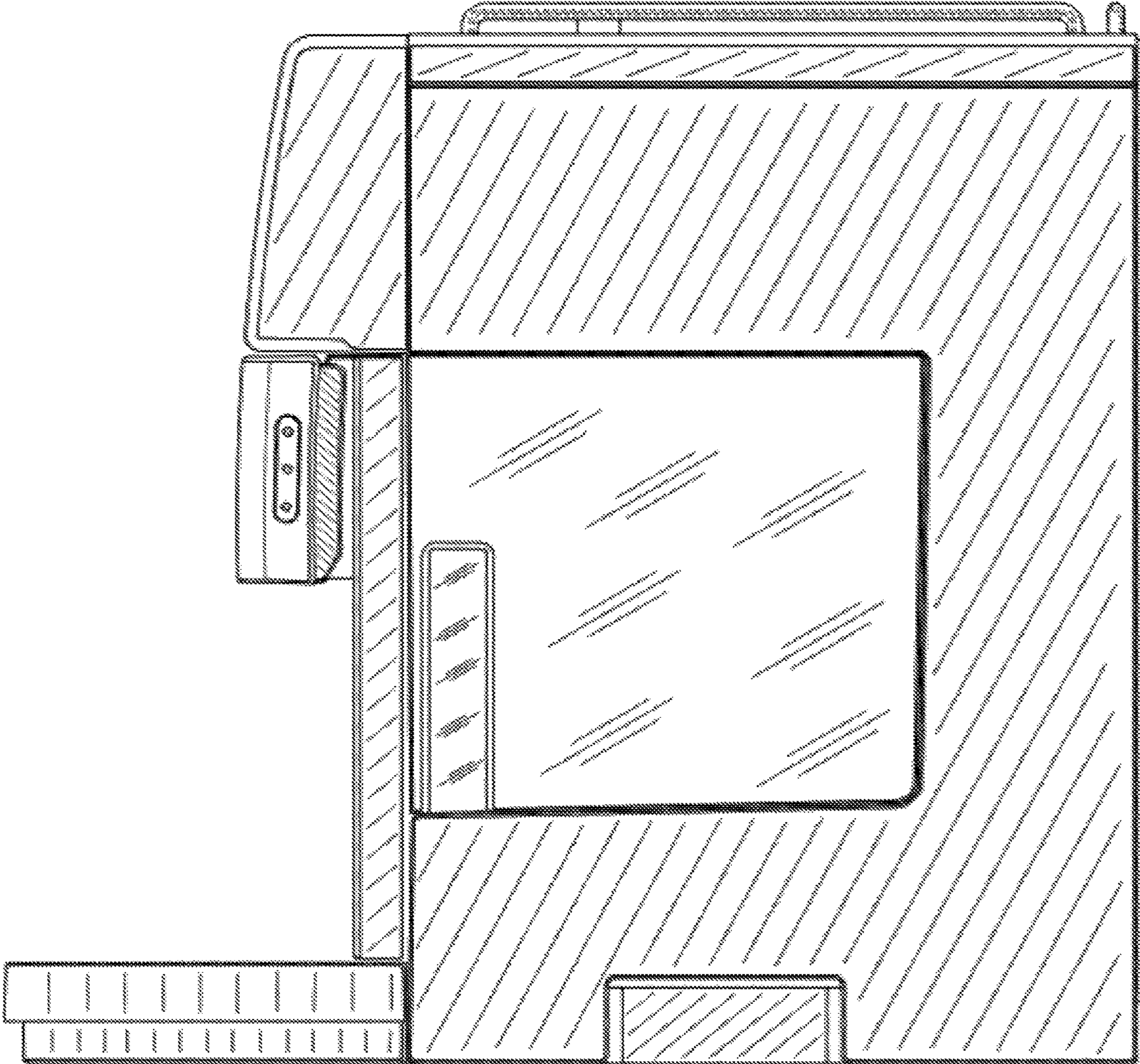


FIG. 6

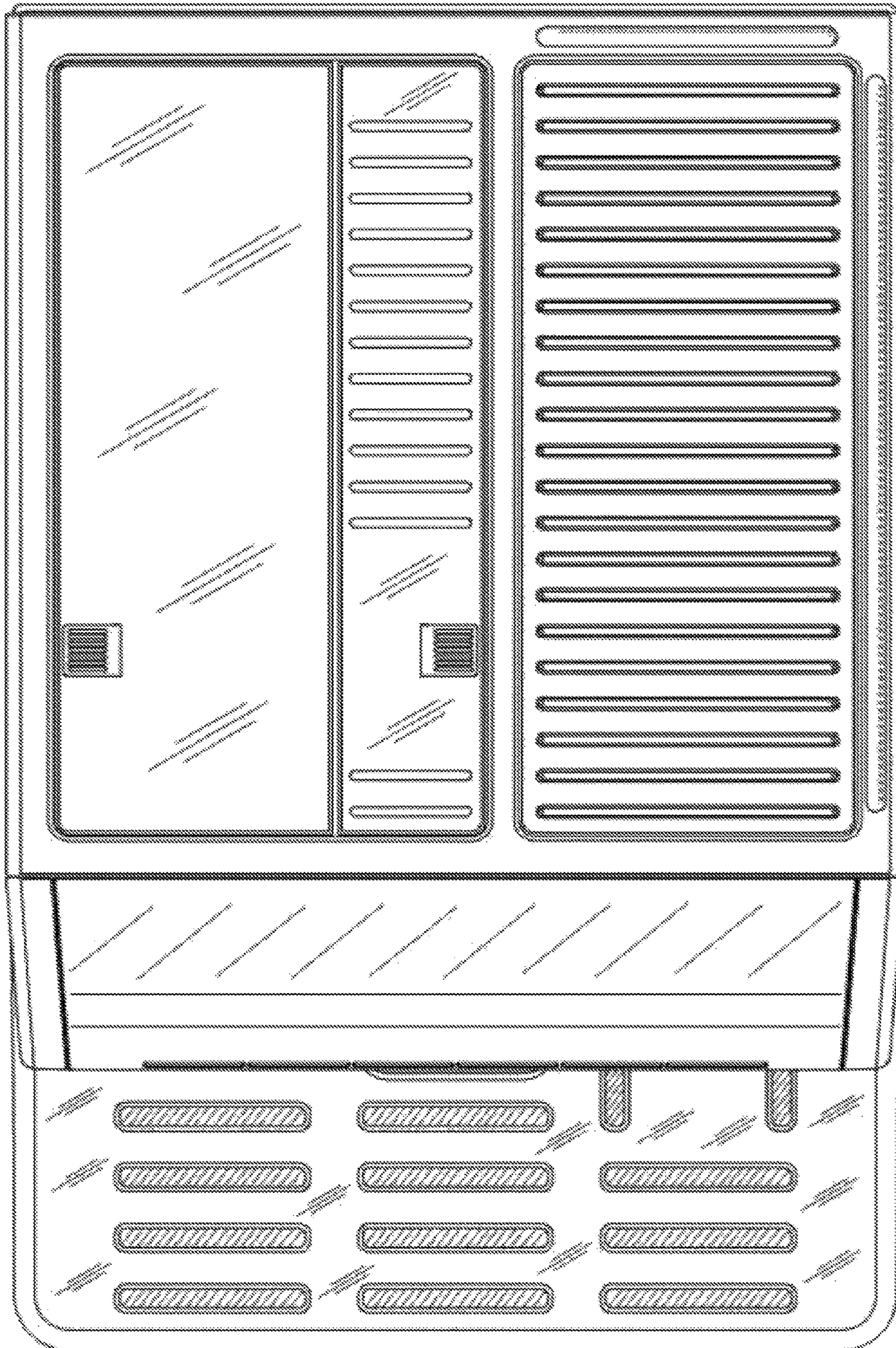
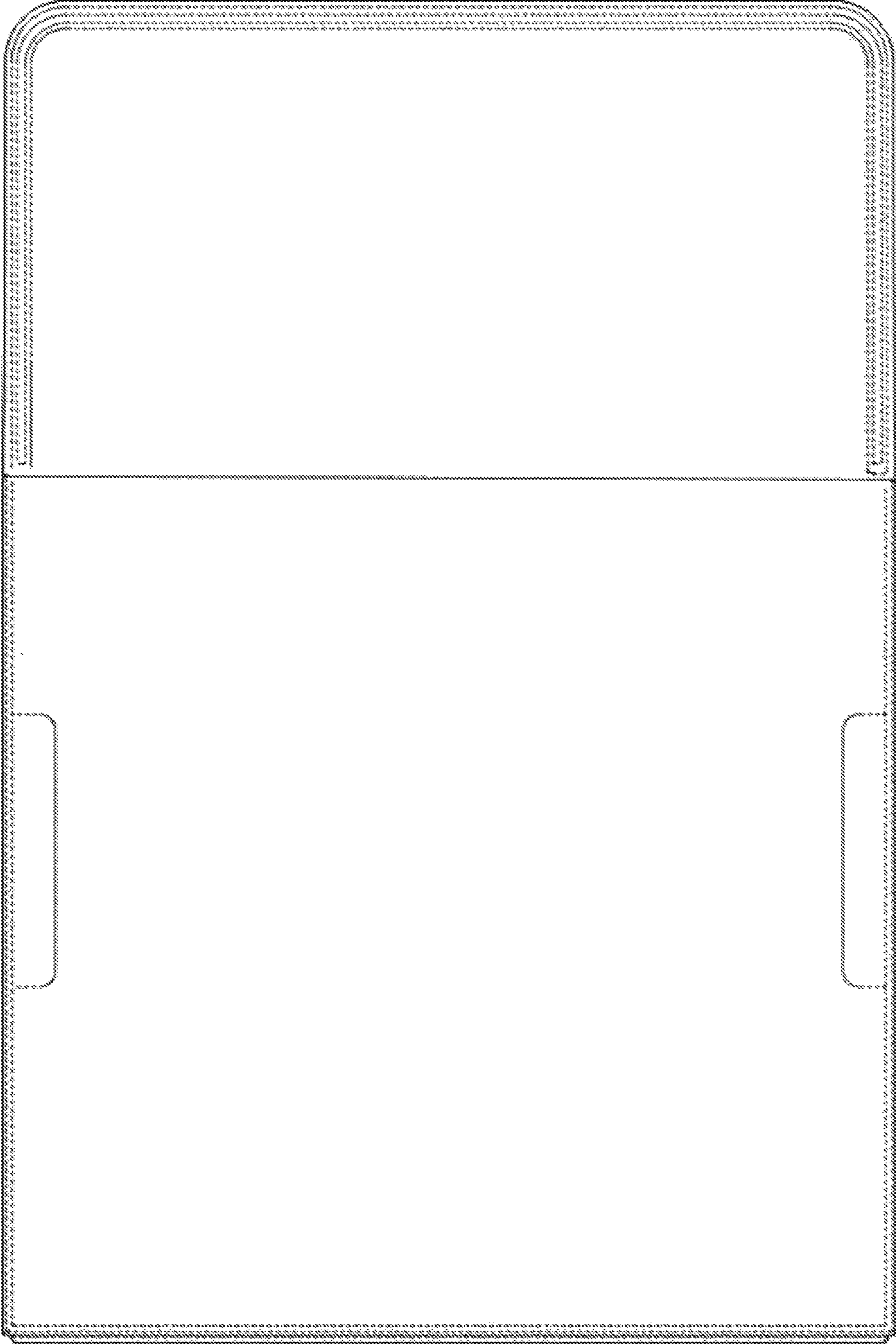


FIG. 7



UNITED STATES PATENT AND TRADEMARK OFFICE
CERTIFICATE OF CORRECTION

PATENT NO. : D648,973 S
APPLICATION NO. : 29/383107
DATED : November 22, 2011
INVENTOR(S) : De' Longhi

Page 1 of 1

It is certified that error appears in the above-identified patent and that said Letters Patent is hereby corrected as shown below:

On the Title Page, item (73) "De Longhi Appliances ARL Con Unico Socio" should read
--De' Longhi Appliances SRL Con Unico Socio--.

Signed and Sealed this
Tenth Day of April, 2012

A handwritten signature in black ink that reads "David J. Kappos". The signature is written in a cursive style with a large initial 'D' and 'K'.

David J. Kappos
Director of the United States Patent and Trademark Office