



US00D648972S

(12) **United States Design Patent**
Büttler

(10) **Patent No.:** **US D648,972 S**

(45) **Date of Patent:** **** Nov. 22, 2011**

(54) **COFFEE MAKER**

(75) Inventor: **Ronald Büttler**, Zürich (CH)

(73) Assignee: **Jura Elektroapparate AG** (CH)

(**) Term: **14 Years**

(21) Appl. No.: **29/361,779**

(22) Filed: **May 14, 2010**

(30) **Foreign Application Priority Data**

Nov. 17, 2009 (WO) DM/072 563

(51) **LOC (9) Cl.** **07-01**

(52) **U.S. Cl.** **D7/309; D7/311; D7/306**

(58) **Field of Classification Search** D7/309–311,
D7/306–308, 300; 99/307, 305, 309
See application file for complete search history.

(56) **References Cited**

U.S. PATENT DOCUMENTS

D527,214 S *	8/2006	Hansen	D7/309
D573,392 S *	7/2008	Smith	D7/306
D583,609 S *	12/2008	Sluijter	D7/306
D584,096 S *	1/2009	Lutz	D7/307
D586,604 S *	2/2009	Buttler	D7/309
D587,511 S *	3/2009	Buttler	D7/309

D595,991 S *	7/2009	Zimmerman	D7/307
D611,289 S *	3/2010	de Visser	D7/309
D613,107 S *	4/2010	Hausner et al.	D7/306

OTHER PUBLICATIONS

U.S. Appl. No. 29/357,925, filed Mar. 19, 2010, Ronald Büttler.
U.S. Appl. No. 29/358,837, filed Apr. 1, 2010, Manfred Werner.
U.S. Appl. No. 29/370,025, filed May 27, 2010, Gebhardt et al.
U.S. Appl. No. 29/372,289, filed Nov. 4, 2010, Lutz Gebhardt.
U.S. Appl. No. 29/372,342, filed Nov. 10, 2010, Martin Iseli.

* cited by examiner

Primary Examiner — Marianne Pandozzi

(74) *Attorney, Agent, or Firm* — Foley & Lardner LLP

(57) **CLAIM**

I claim the ornamental design for a coffee maker, as shown and described.

DESCRIPTION

FIG. 1 is a perspective view of a coffee maker showing my new design;
FIG. 2 is a front elevational view of the coffee maker of FIG. 1;
FIG. 3 is a right side elevational view of the coffee maker of FIG. 1;
FIG. 4 is a left side elevational view of the coffee maker of FIG. 1; and,
FIG. 5 is a top plan view of the coffee maker of FIG. 1.
The broken lines in the drawings are included for the purpose of illustration and form no part of the claimed design.

1 Claim, 5 Drawing Sheets

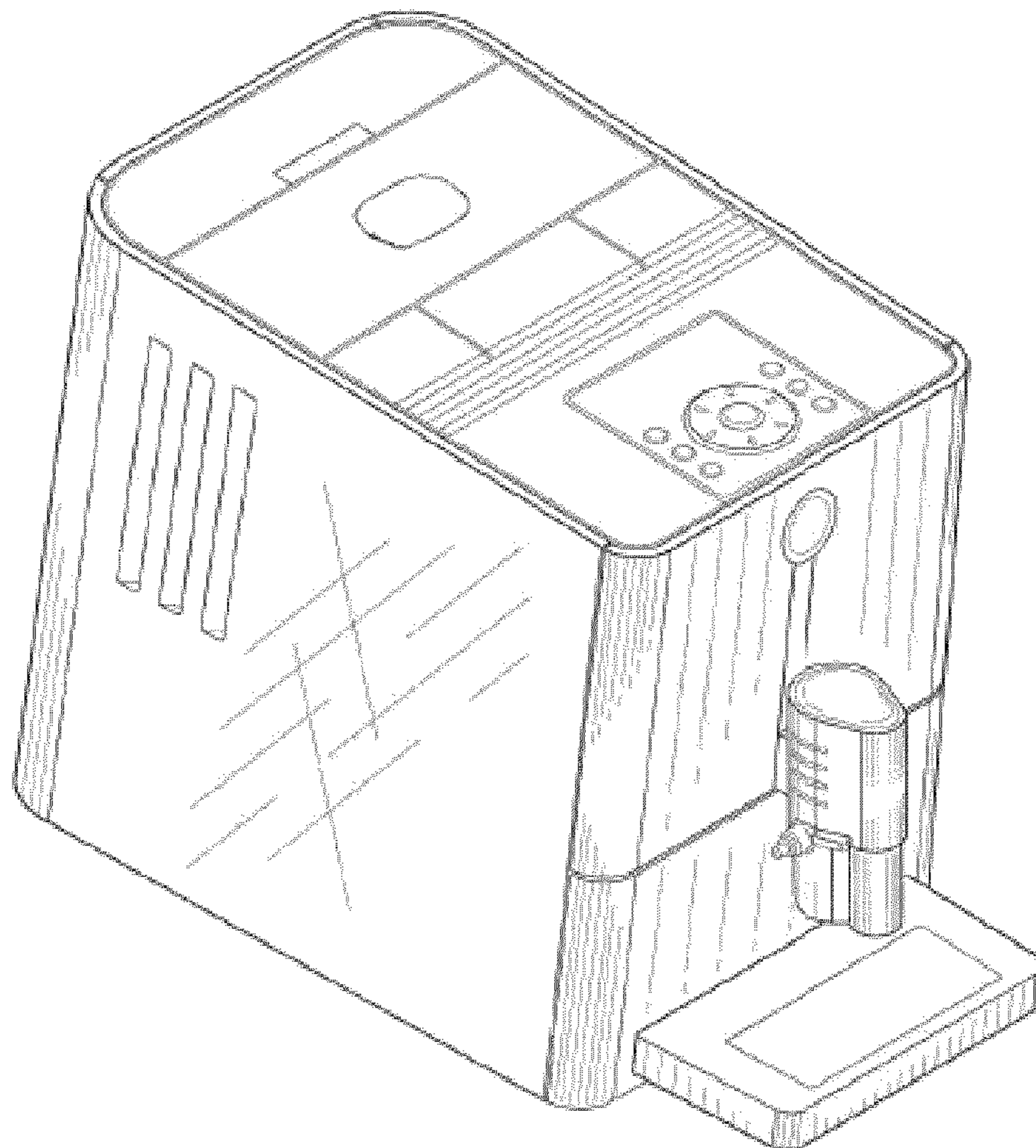


FIG 1

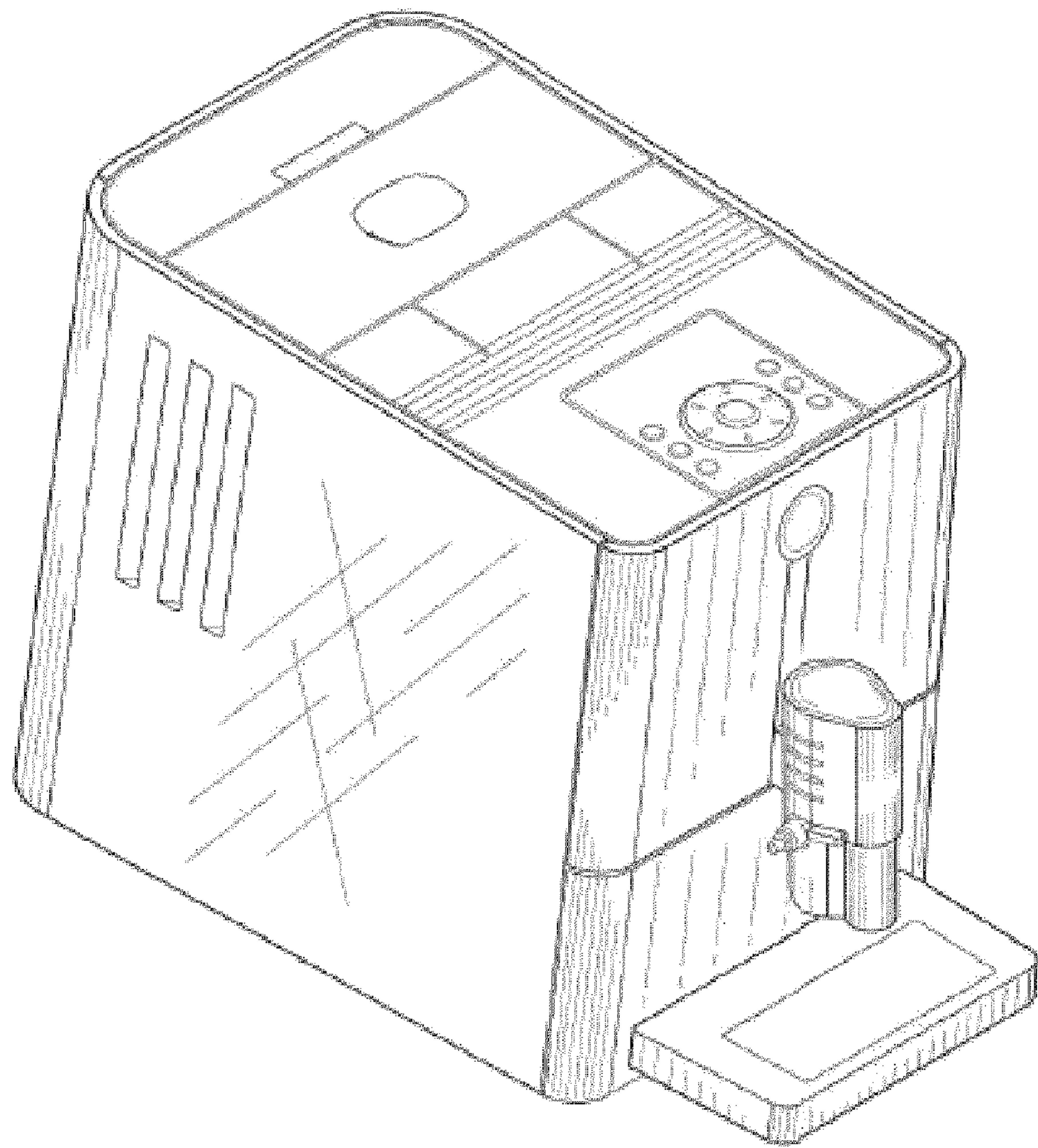


FIG 2

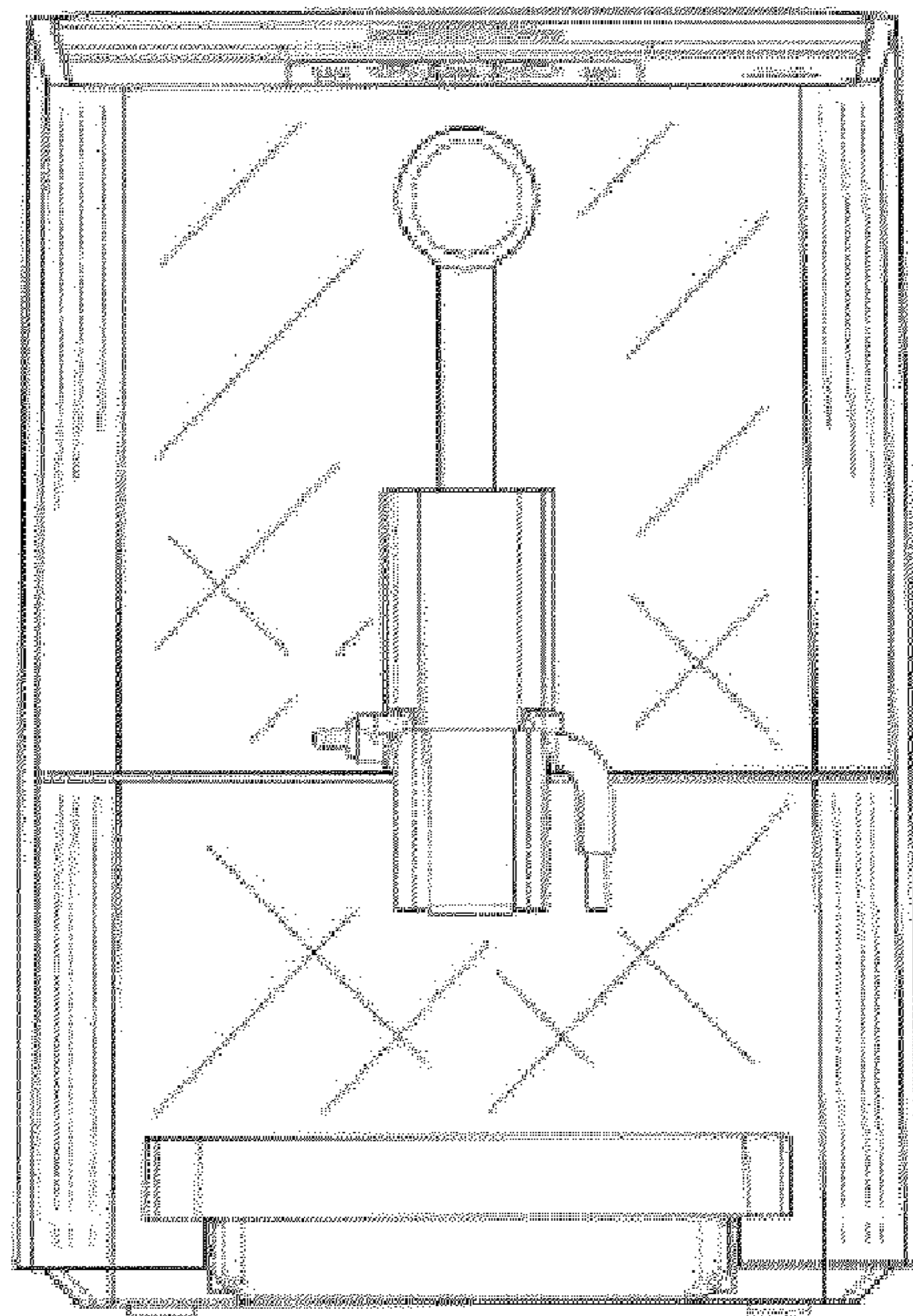


FIG 3

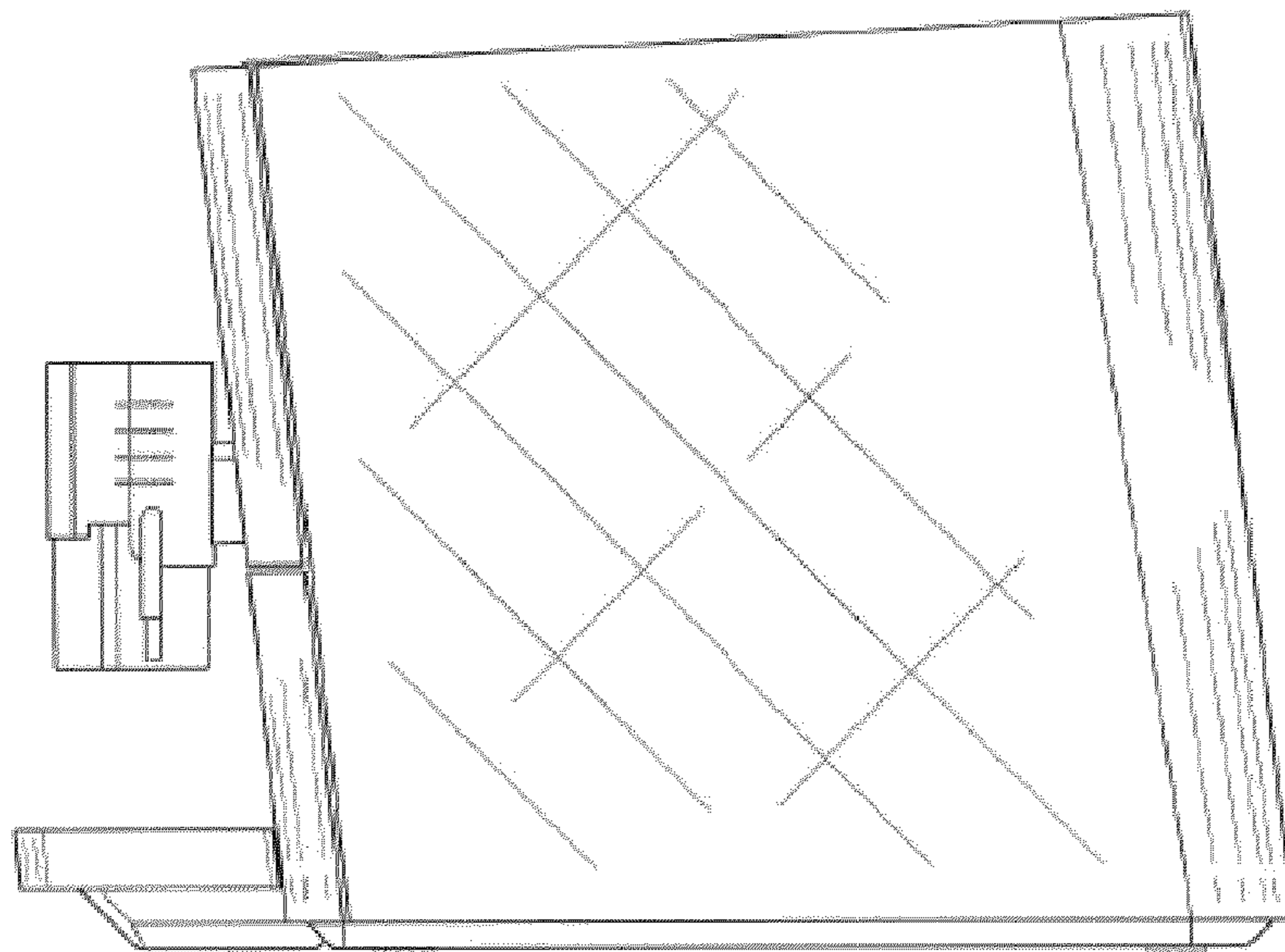


FIG 4

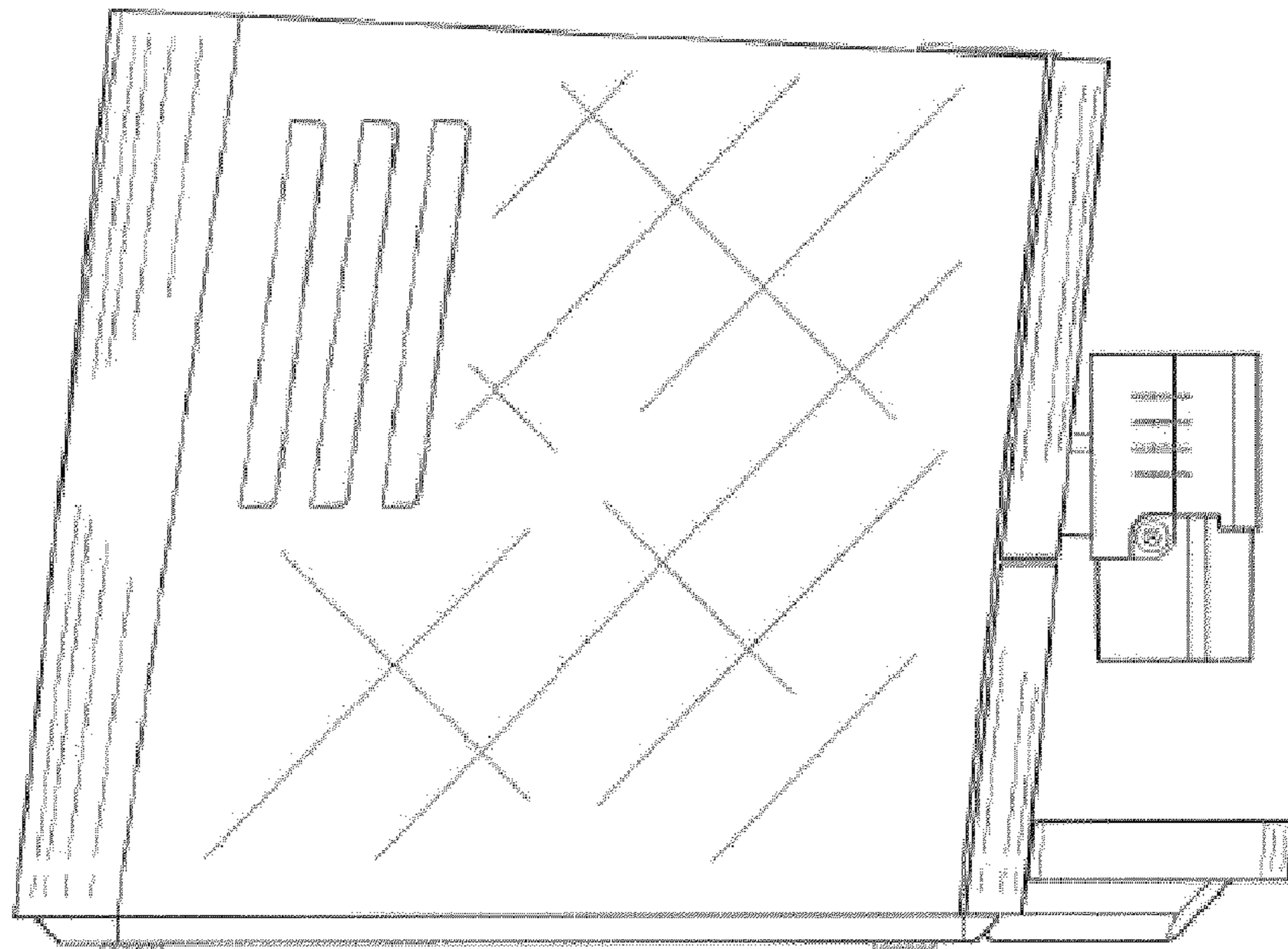


FIG 5

