



US00D648971S

(12) **United States Design Patent**
Goralski et al.

(10) **Patent No.:** **US D648,971 S**

(45) **Date of Patent:** **** Nov. 22, 2011**

(54) **SINGLE CHAMBER WINE CHILLING AND DISPERSING SYSTEM**

(75) Inventors: **William Goralski**, Delray Beach, FL (US); **Phetsouvanh Kounlavong**, Lake Worth, FL (US); **Brooks Rorke**, Guilford, CT (US)

(73) Assignee: **Sunbeam Products, Inc.**, Boca Raton, FL (US)

(**) Term: **14 Years**

(21) Appl. No.: **29/397,112**

(22) Filed: **Jul. 12, 2011**

(51) **LOC (9) Cl.** **07-01**

(52) **U.S. Cl.** **D7/306; D7/300**

(58) **Field of Classification Search** D7/306-311, D7/300; D20/1; D15/80; 99/275; 222/129.1
See application file for complete search history.

(56) **References Cited**

U.S. PATENT DOCUMENTS

D518,677 S * 4/2006 Van Berlo D7/306
D570,149 S * 6/2008 Truong D7/309

D573,392 S * 7/2008 Smith D7/306
D577,252 S * 9/2008 Kotoku D7/399
D586,171 S * 2/2009 Picozza et al. D7/309
D636,214 S * 4/2011 Parker et al. D7/306

* cited by examiner

Primary Examiner — Marianne Pandozzi

(74) *Attorney, Agent, or Firm* — Seth M. Blum

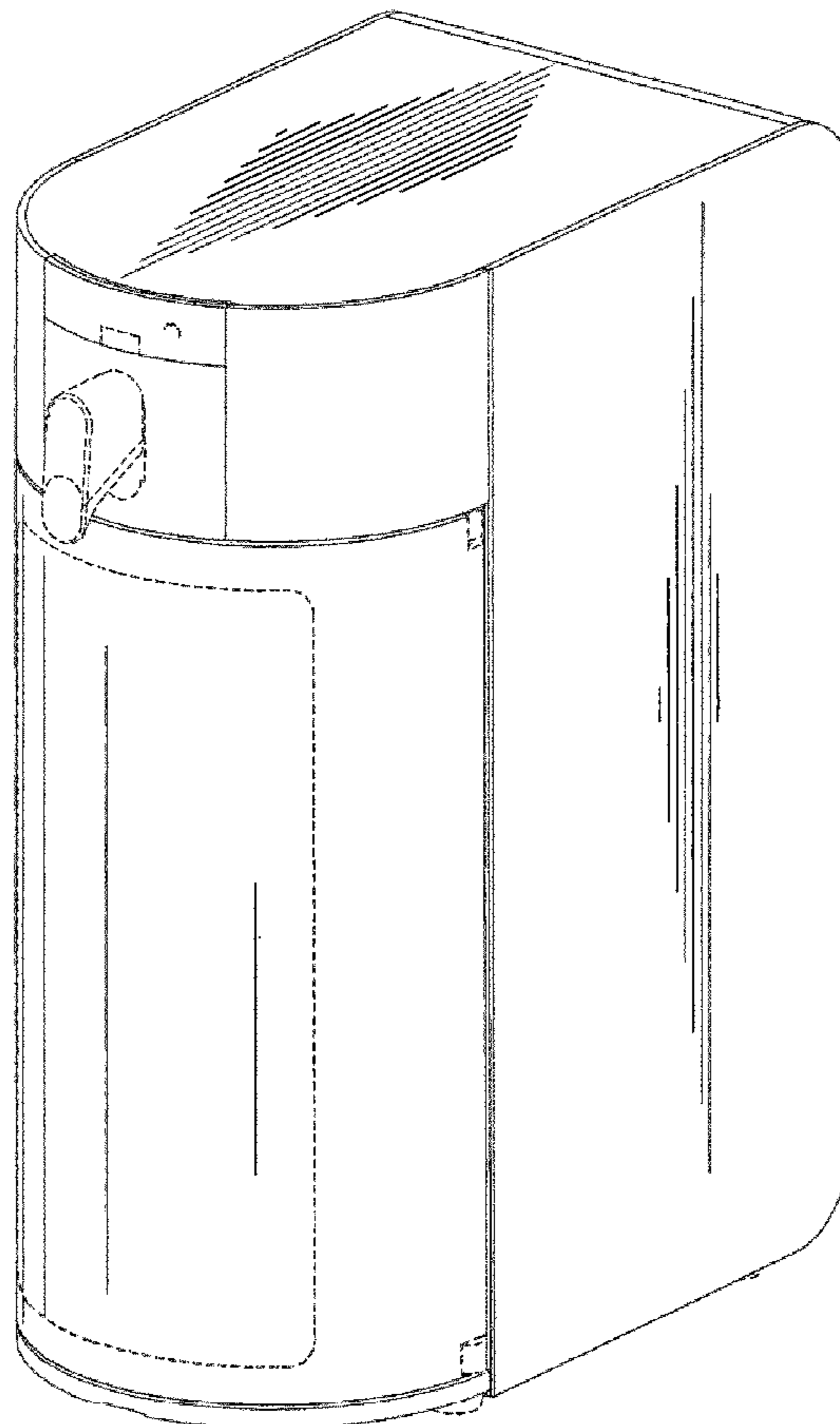
(57) **CLAIM**

The ornamental design for a single chamber wine chilling and dispersing system, as shown and described.

DESCRIPTION

FIG. 1 is a front left perspective view of single chamber wine chilling and dispersing system;
FIG. 2 is a front view thereof;
FIG. 3 is rear view thereof;
FIG. 4 is a left side view thereof;
FIG. 5 is a right side view thereof;
FIG. 6 is a top plan view thereof; and,
FIG. 7 is a bottom plan view thereof.
The broken lines in the drawings are included for the purpose of illustration and form no part of the claimed design.

1 Claim, 7 Drawing Sheets



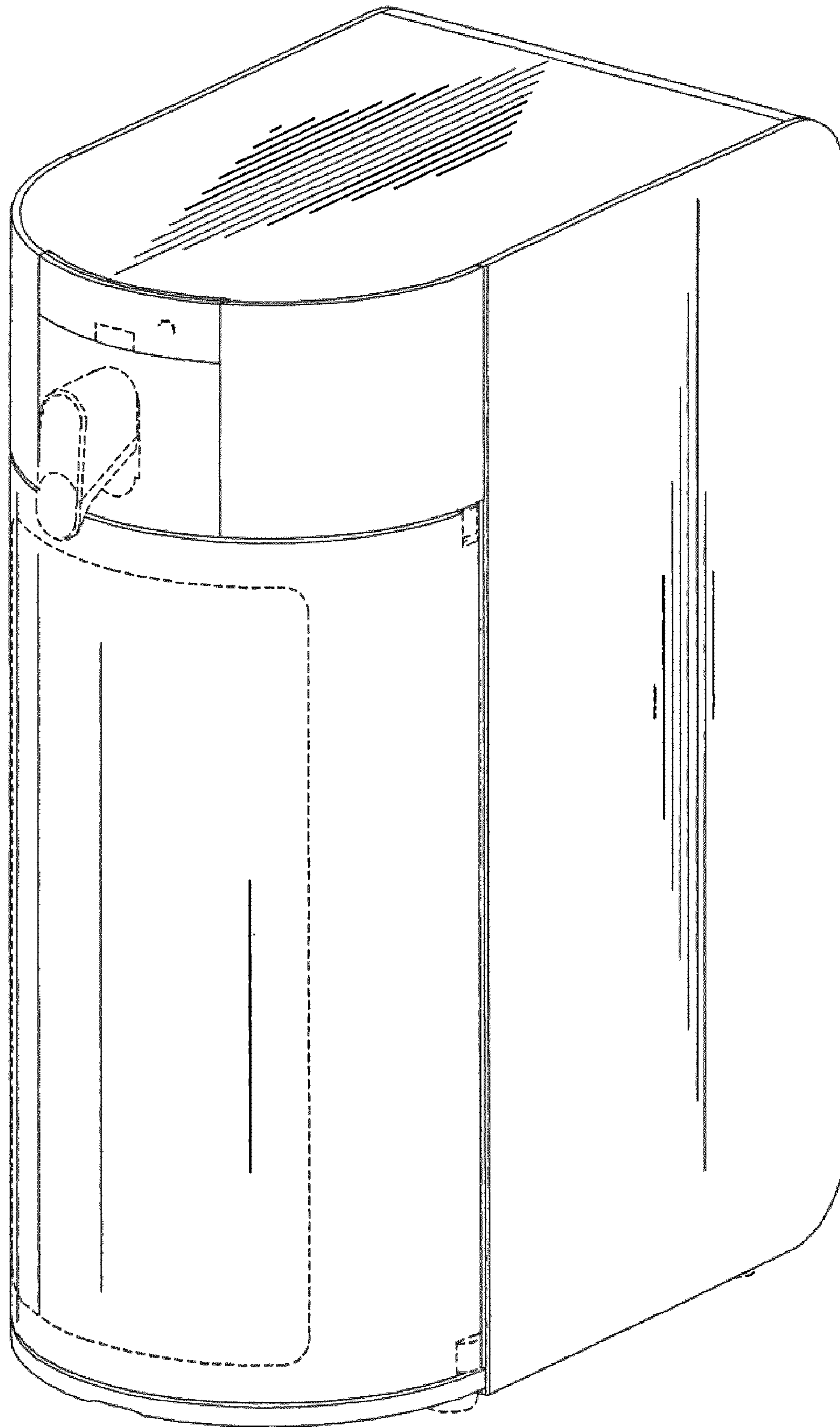


FIG 1

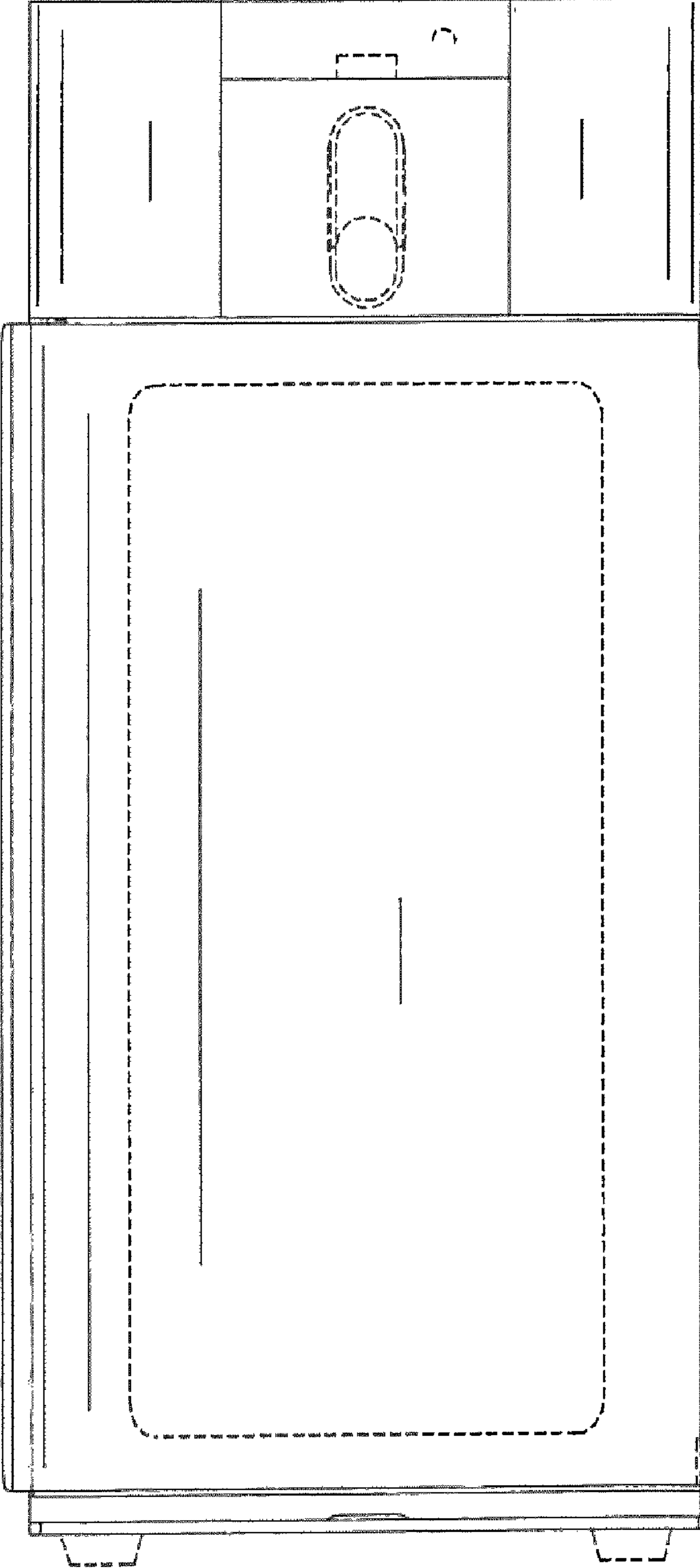


FIG 2

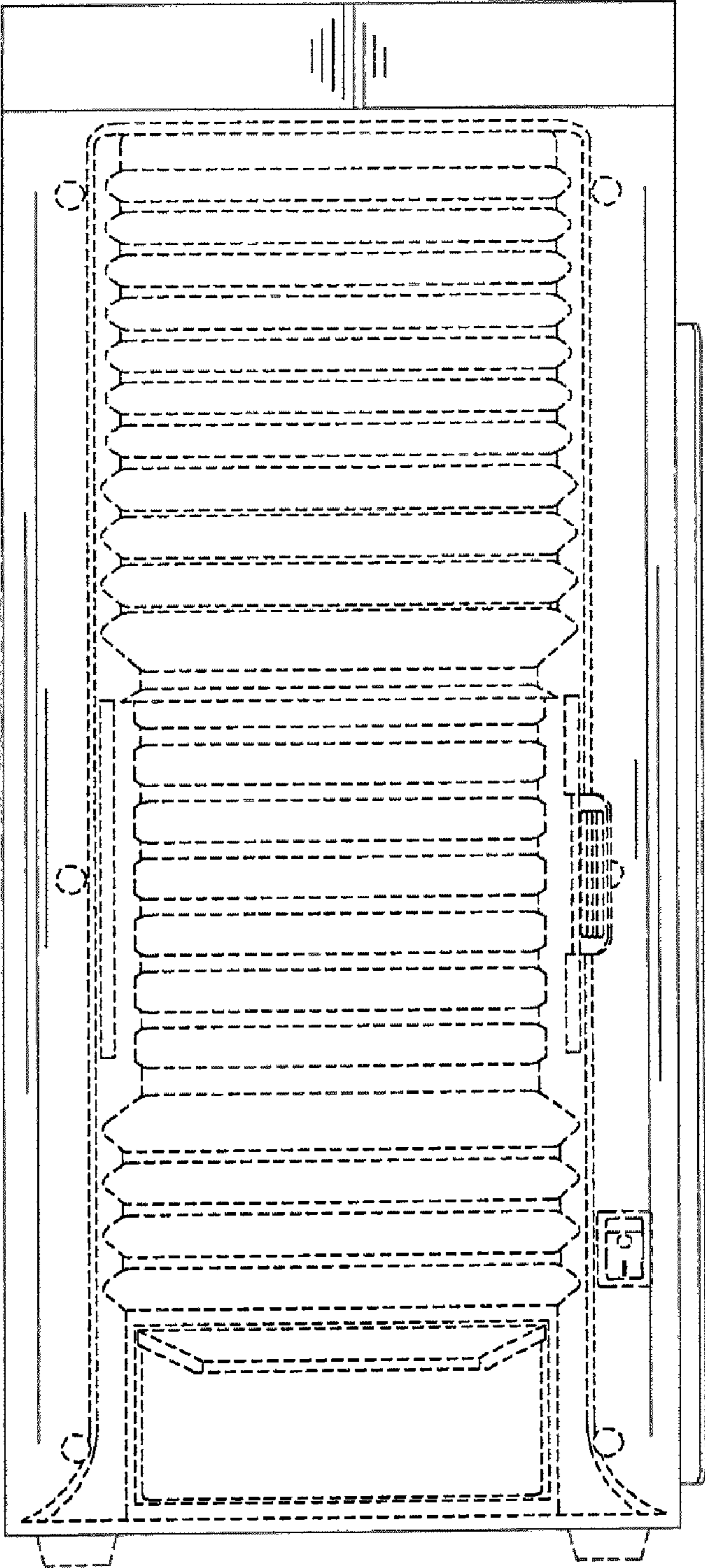


FIG 3

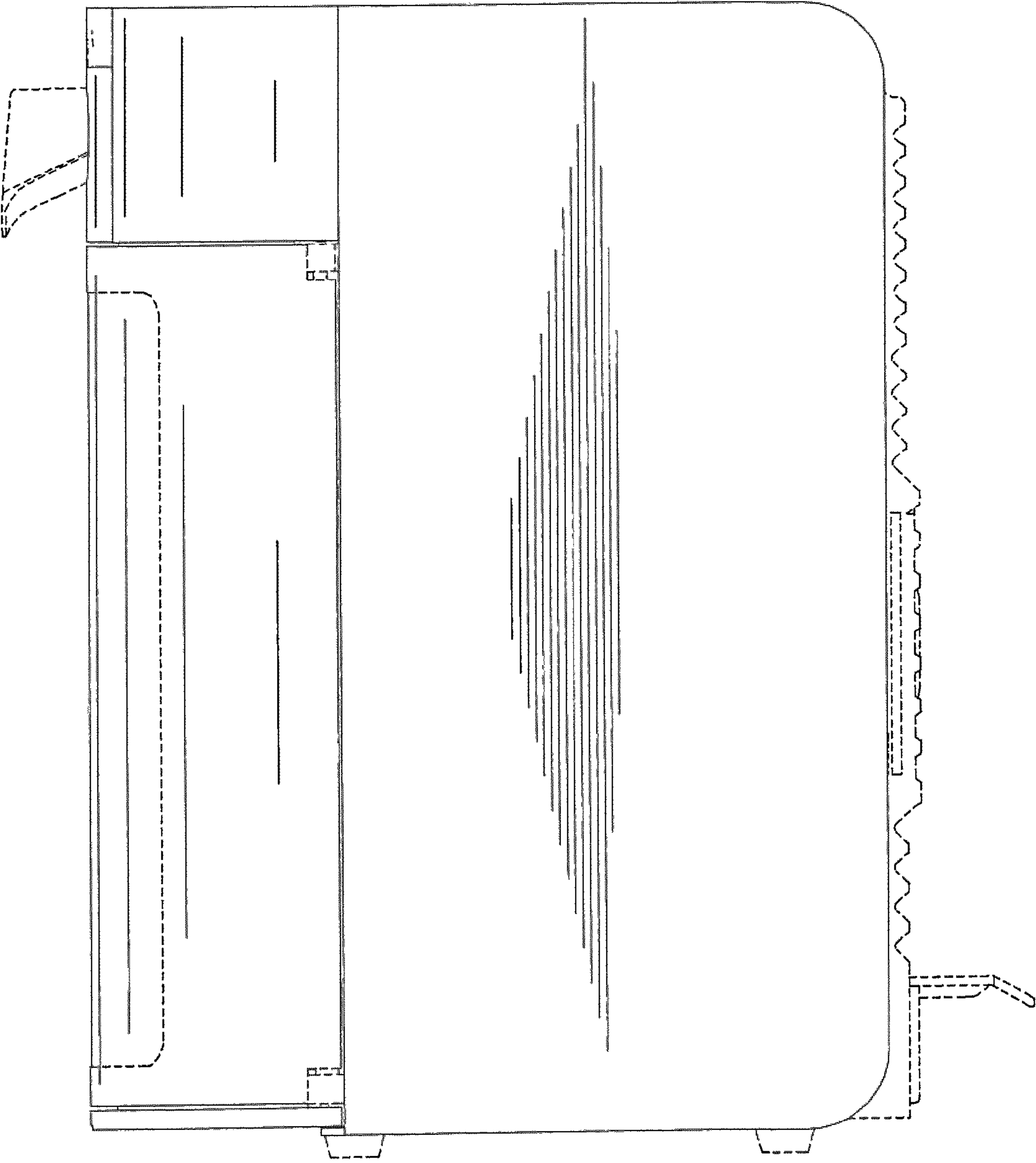


FIG 4

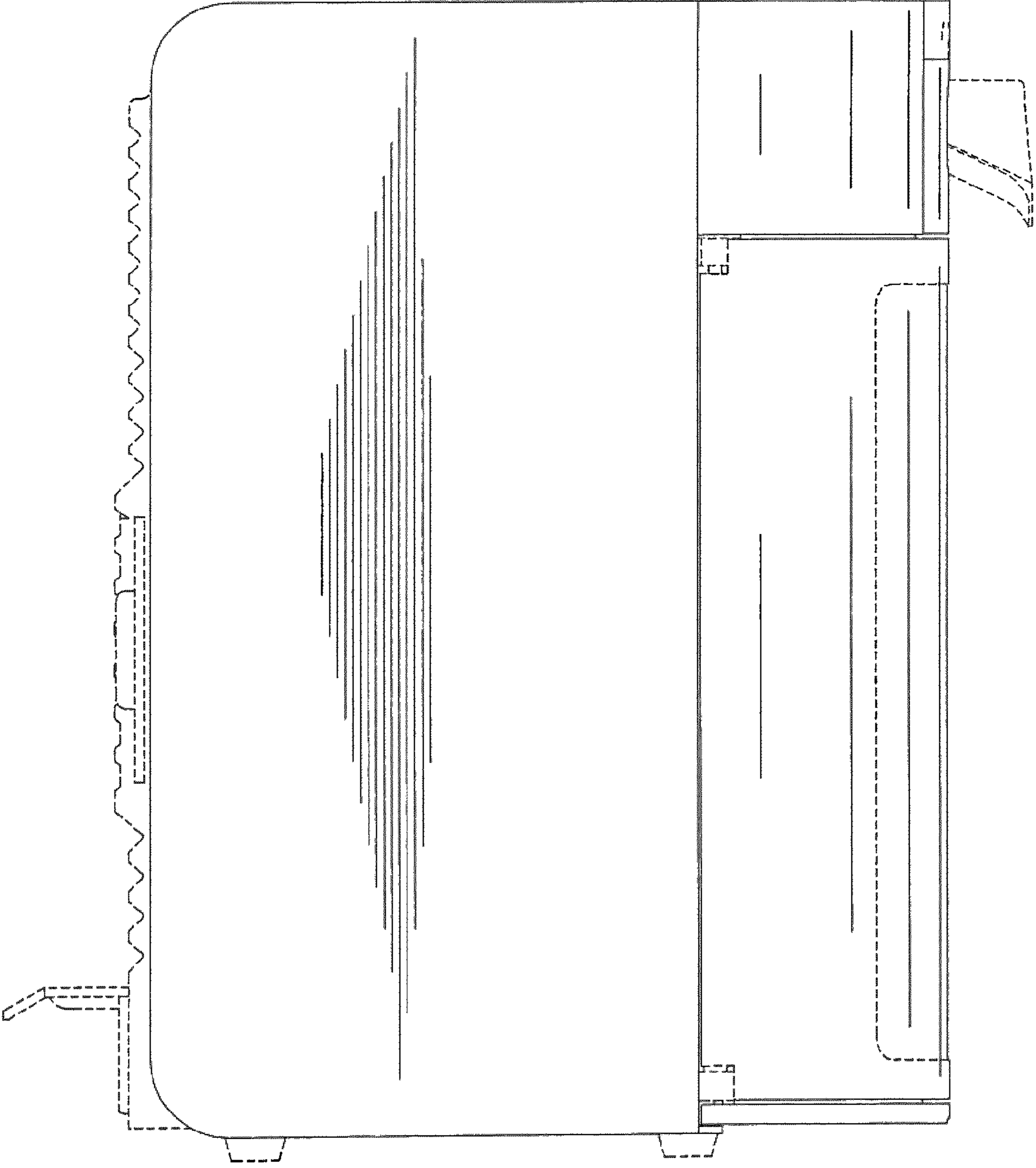


FIG 5

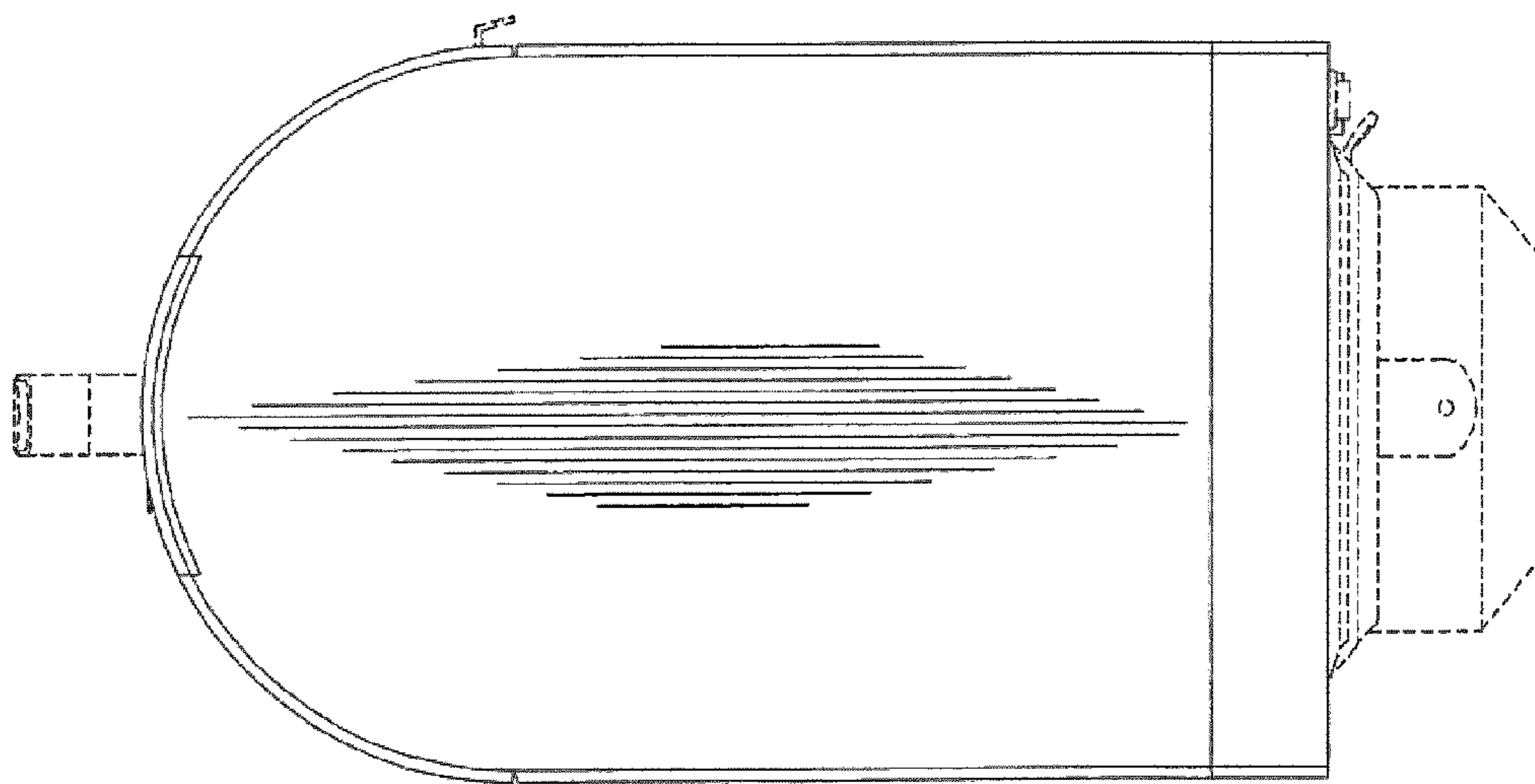


FIG 6

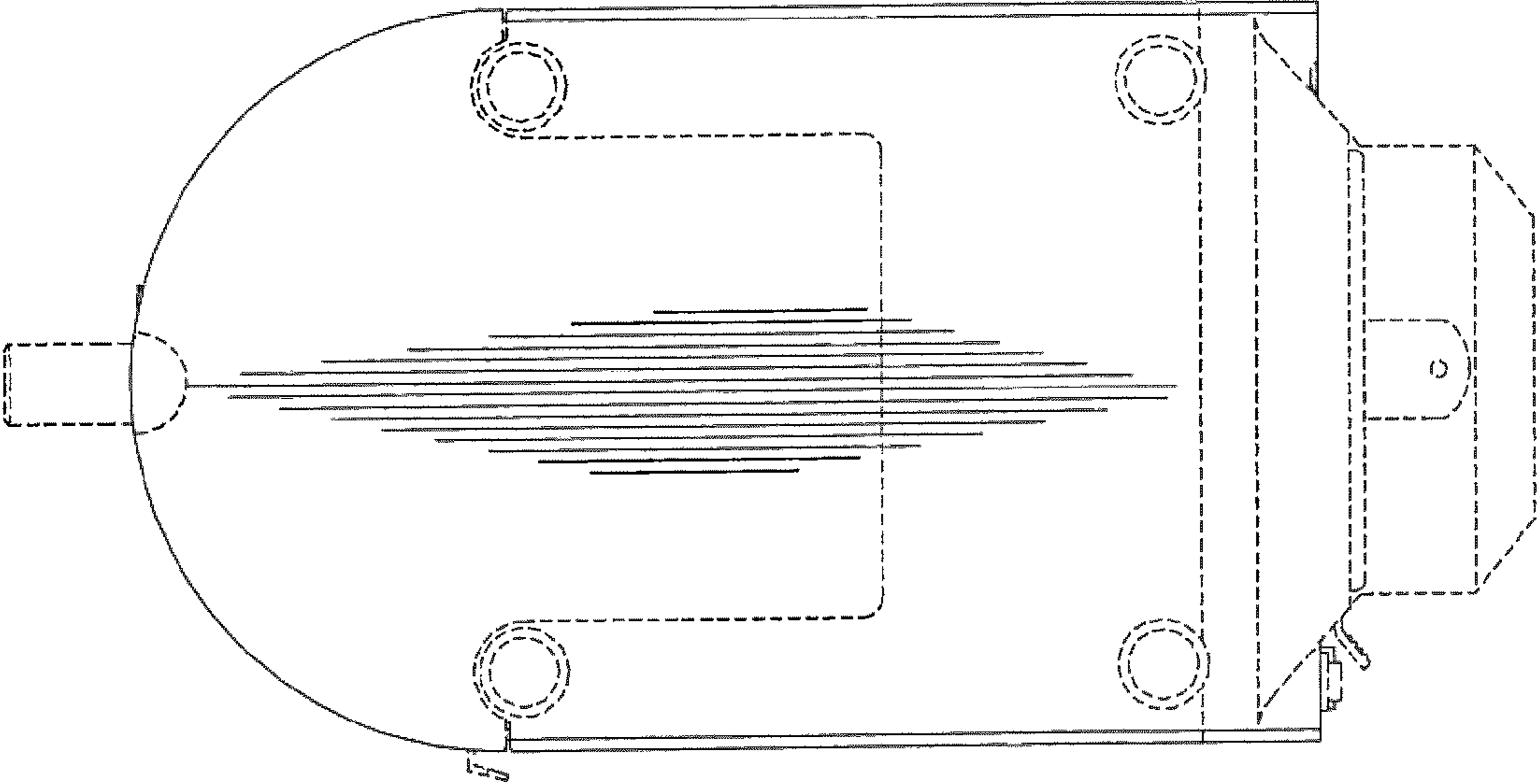


FIG 7