



US00D648968S

(12) **United States Design Patent**
Piretti et al.

(10) **Patent No.:** **US D648,968 S**
(45) **Date of Patent:** **** Nov. 22, 2011**

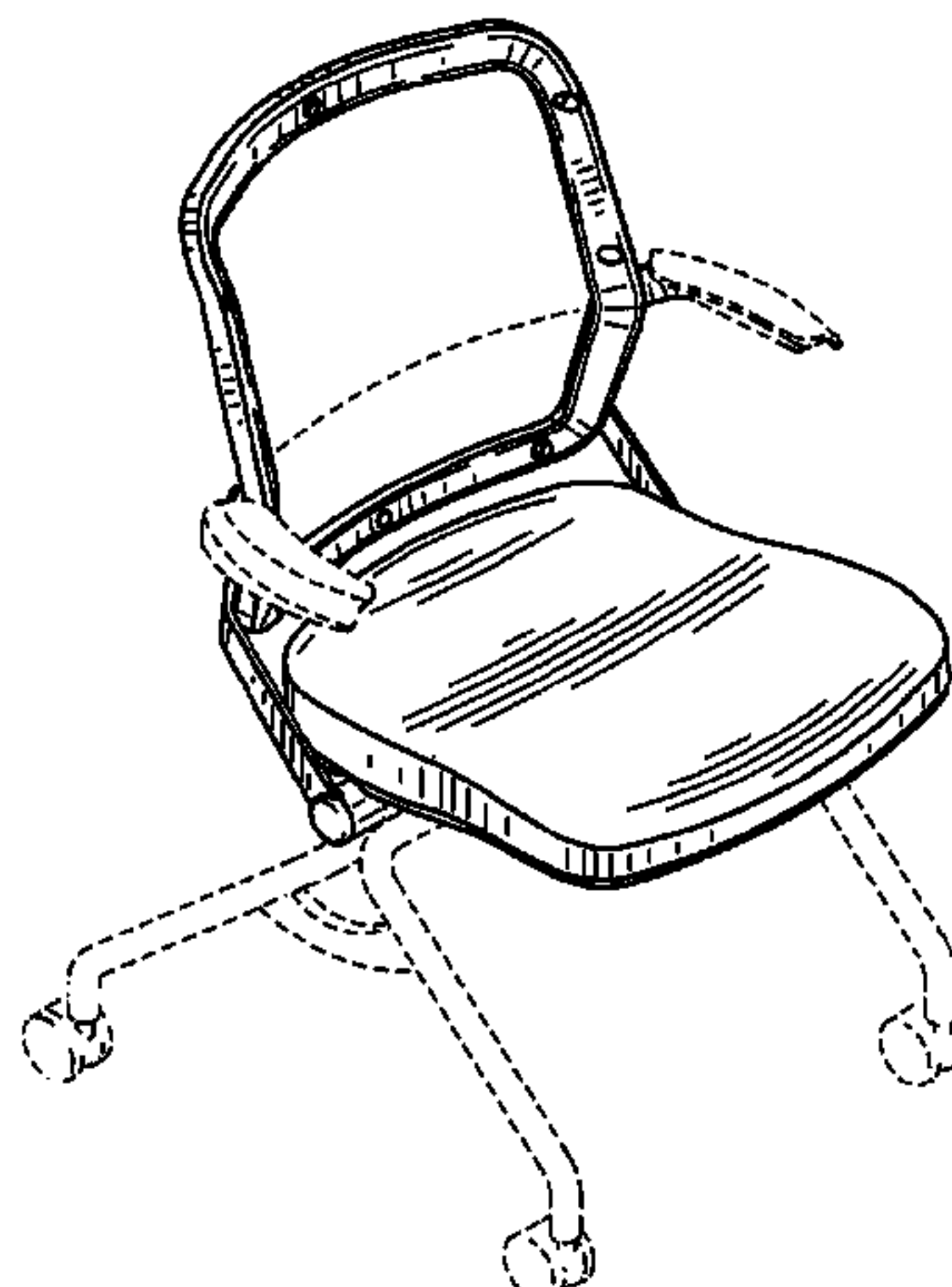
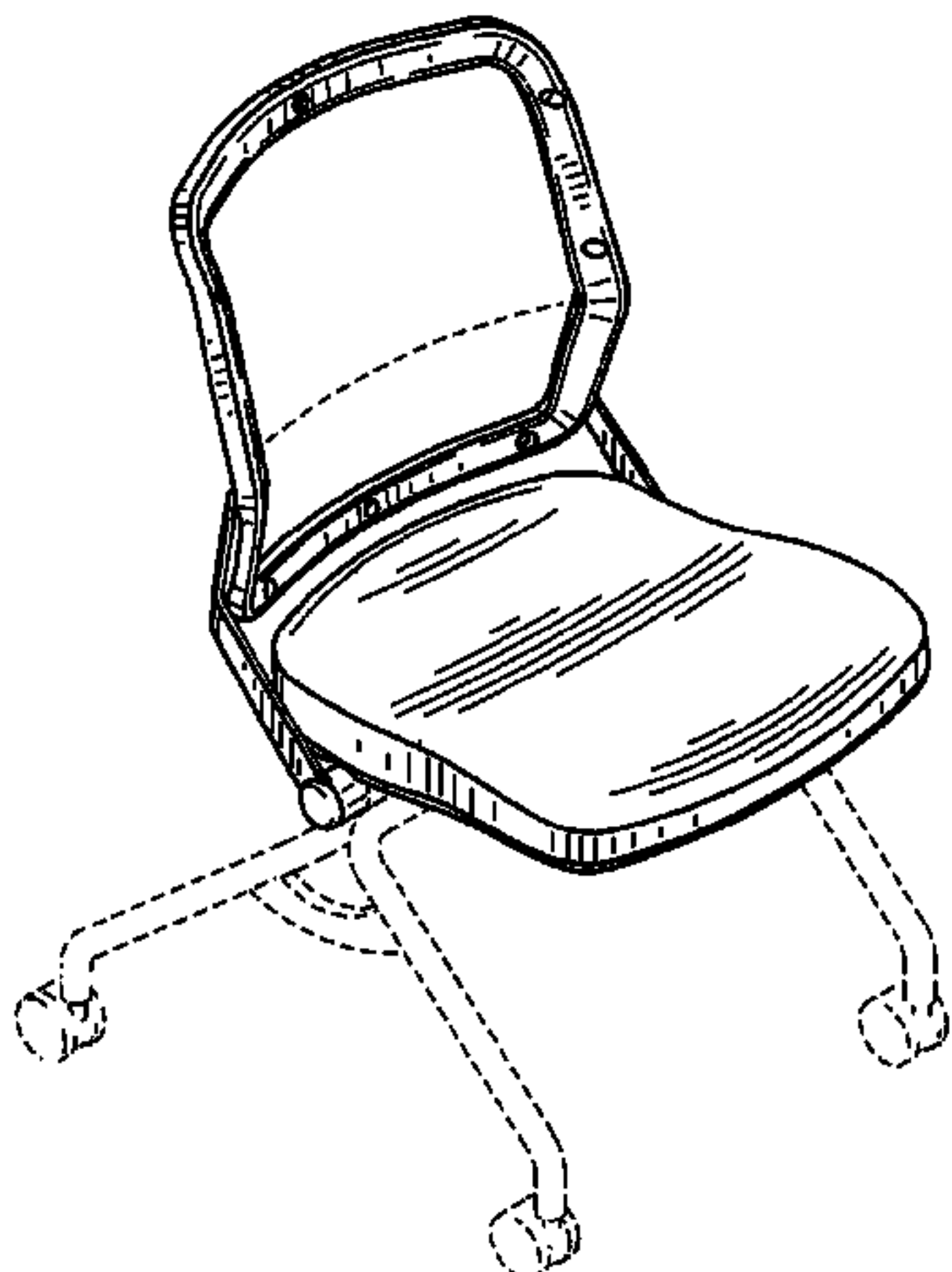
- (54) **CHAIR**
- (75) Inventors: **Giancarlo Piretti**, Bologna (IT); **Patrick W. Fricke**, Green Bay, WI (US); **Karl J. Koehler**, Brillion, WI (US)
- (73) Assignee: **Pro-Cord S.p.A.**, Bologna (IT)
- (**) Term: **14 Years**
- (21) Appl. No.: **29/384,966**
- (22) Filed: **Feb. 7, 2011**
- (51) **LOC (9) Cl.** **06-01**
- (52) **U.S. Cl.** **D6/502**
- (58) **Field of Classification Search** D6/310,
D6/334-336, 348, 358-381, 500-502; 297/271.6,
297/297, 299, 300.4, 301.3, 354.1, 411.2,
297/411.27, 411.28, 445.1, 446.1, 452.13
See application file for complete search history.

(56) **References Cited**

U.S. PATENT DOCUMENTS

3,111,344	A	11/1963	Hoven et al.	
D202,264	S	9/1965	Albinson	
D214,315	S	6/1969	Bartholomew	
D272,587	S	2/1984	Pamberg	
D274,771	S	7/1984	Ambasz et al.	
D284,048	S	6/1986	Ambasz et al.	
D289,120	S	4/1987	Chadwick et al.	
D292,149	S	10/1987	Monesi	
4,733,910	A	3/1988	Brennan	
D298,390	S	11/1988	Bellini	
D299,192	S	1/1989	Chadwick et al.	
D300,885	S	5/1989	Ochsner	
D305,285	S	1/1990	Piretti	
D352,183	S	11/1994	Sheridan	
D370,360	S	6/1996	Fewchuk	
D374,561	S	10/1996	Meijer	
D378,553	S	3/1997	Newhouse	
D385,425	S	10/1997	Goetz	
D390,024	S *	2/1998	DeJule	D6/373
D417,970	S	12/1999	Duffy et al.	
D433,578	S	11/2000	Saul	
D436,751	S	1/2001	Schacht	
D446,037	S	8/2001	Koepke et al.	
D451,693	S	12/2001	Pearce et al.	

D455,570	S	4/2002	Kita	
D457,739	S	5/2002	Pearce et al.	
6,412,869	B1	7/2002	Pearce	
6,669,301	B1	12/2003	Funk et al.	
6,679,553	B2 *	1/2004	Batthey et al.	297/300.4
D508,338	S *	8/2005	Ambasz	D6/373
D509,671	S	9/2005	Olson et al.	
D509,969	S	9/2005	Loew et al.	
D513,457	S *	1/2006	Asano et al.	D6/380
D513,670	S *	1/2006	Yamagata	D6/380
D515,331	S	2/2006	Piretti	
D518,304	S *	4/2006	Crescenti	D6/373
7,118,177	B2	10/2006	Piretti	
D540,559	S	4/2007	Neil	
D541,067	S *	4/2007	Lin	D6/373
D546,574	S *	7/2007	Kaloustian	D6/374
7,237,841	B2 *	7/2007	Norman et al.	297/301.3
D564,264	S *	3/2008	Smith et al.	D6/500
D574,646	S	8/2008	Su	
D579,226	S	10/2008	Pinaffo et al.	
D583,162	S	12/2008	Vallet et al.	
D587,027	S *	2/2009	Igarashi	D6/380
D587,477	S	3/2009	Neil	
D592,876	S	5/2009	Smith et al.	
D594,669	S *	6/2009	Asano	D6/376
D597,332	S	8/2009	Carmon	
D599,125	S	9/2009	Piretti	
D599,129	S *	9/2009	Opsvik	D6/380
D600,052	S *	9/2009	Smith et al.	D6/502
D600,465	S *	9/2009	Kumazawa	D6/373
D600,936	S *	9/2009	Koh	D6/376
D600,953	S *	9/2009	Kumazawa	D6/502
D600,954	S *	9/2009	Kumazawa	D6/502
D601,822	S	10/2009	Neil	
D602,268	S	10/2009	Viererbl	
D602,276	S	10/2009	Neil	
D605,421	S	12/2009	Baldanzi	
D606,771	S *	12/2009	Chadwick	D6/373
D607,654	S *	1/2010	Fewchuk	D6/374
D607,661	S	1/2010	Chadwick	
D609,035	S	2/2010	Muller	
D609,487	S *	2/2010	Kumazawa	D6/373
D609,488	S *	2/2010	Kumazawa	D6/373
D610,816	S	3/2010	Keichel	
7,686,395	B2 *	3/2010	Piretti	297/297
7,686,399	B2 *	3/2010	Heidmann et al.	297/354.1
D617,568	S *	6/2010	Kumazawa	D6/373
D618,004	S	6/2010	DeSanta et al.	
RE42,027	E *	1/2011	Kumazawa	D6/373
D637,838	S *	5/2011	Piretti	D6/500
D637,839	S *	5/2011	Piretti	D6/500
D638,230	S *	5/2011	Roy	D6/366
D638,232	S *	5/2011	Roy	D6/376



D638,641	S	*	5/2011	Piretti	D6/500
D642,819	S	*	8/2011	Piretti	D6/379
D643,652	S	*	8/2011	Piretti	D6/500
D643,653	S	*	8/2011	Piretti	D6/500
D643,654	S	*	8/2011	Piretti	D6/500
2002/0117883	A1		8/2002	Gevaert		
2003/0164635	A1	*	9/2003	Batthey et al.	297/299

OTHER PUBLICATIONS

Pending U.S. Appl. No. 29/319,333, filed Jun. 8, 2008.

* cited by examiner

Primary Examiner — Ricky Pham

(74) *Attorney, Agent, or Firm* — Andrus, Scales, Starke & Sawall, LLP

(57) **CLAIM**

The ornamental design for a chair, as shown and described.

DESCRIPTION

FIG. 1 is an isometric view of a chair incorporating our new design;
 FIG. 2 is a right side elevation view thereof, where the left side elevation view is a mirror image thereof;
 FIG. 3 is a top elevation view thereof;
 FIG. 4 is a front elevation view thereof;
 FIG. 5 is a back elevation view thereof;
 FIG. 6 is an isometric view of another embodiment of an arm version of a chair incorporating our new design;
 FIG. 7 is a right side elevation view thereof, where the left side elevation view is a mirror image thereof;
 FIG. 8 is a top elevation view thereof;
 FIG. 9 is a front elevation view thereof;
 FIG. 10 is a back elevation view thereof;
 FIG. 11 is an isometric view of another embodiment of a chair incorporating our new design;
 FIG. 12 is a right side elevation view thereof, where the left side elevation view is a mirror image thereof;
 FIG. 13 is a top elevation view thereof;
 FIG. 14 is a front elevation view thereof;

FIG. 15 is a back elevation view thereof;
 FIG. 16 is an isometric view of another embodiment of an arm version of a chair incorporating our new design;
 FIG. 17 is a right side elevation view thereof, where the left side elevation view is a mirror image thereof;
 FIG. 18 is a top elevation view thereof;
 FIG. 19 is a front elevation view thereof;
 FIG. 20 is a back elevation view thereof;
 FIG. 21 is an isometric view of another embodiment of a chair incorporating our new design;
 FIG. 22 is a right side elevation view thereof, where the left side elevation view is a mirror image thereof;
 FIG. 23 is a top elevation view thereof;
 FIG. 24 is a front elevation view thereof;
 FIG. 25 is a back elevation view thereof;
 FIG. 26 is an isometric view of another embodiment of an arm version of a chair incorporating our new design;
 FIG. 27 is a right side elevation view thereof, where the left side elevation view is a mirror image thereof;
 FIG. 28 is a top elevation view thereof;
 FIG. 29 is a front elevation view thereof;
 FIG. 30 is a back elevation view thereof;
 FIG. 31 is an isometric view of another embodiment of a tablet arm version of a chair incorporating our new design;
 FIG. 32 is a right side elevation view thereof;
 FIG. 33 is a top elevation view thereof;
 FIG. 34 is a front elevation view thereof;
 FIG. 35 is a back elevation view thereof.
 FIG. 36 is a left side elevation view thereof;
 FIG. 37 is an isometric view of another embodiment of a tablet arm version of a chair incorporating our new design;
 FIG. 38 is a right side elevation view thereof;
 FIG. 39 is a top elevation view thereof;
 FIG. 40 is a front elevation view thereof;
 FIG. 41 is a back elevation view thereof; and,
 FIG. 42 is a left side elevation view thereof.
 The portions shown in phantom illustrate environment and form no part of the claimed design.

1 Claim, 26 Drawing Sheets

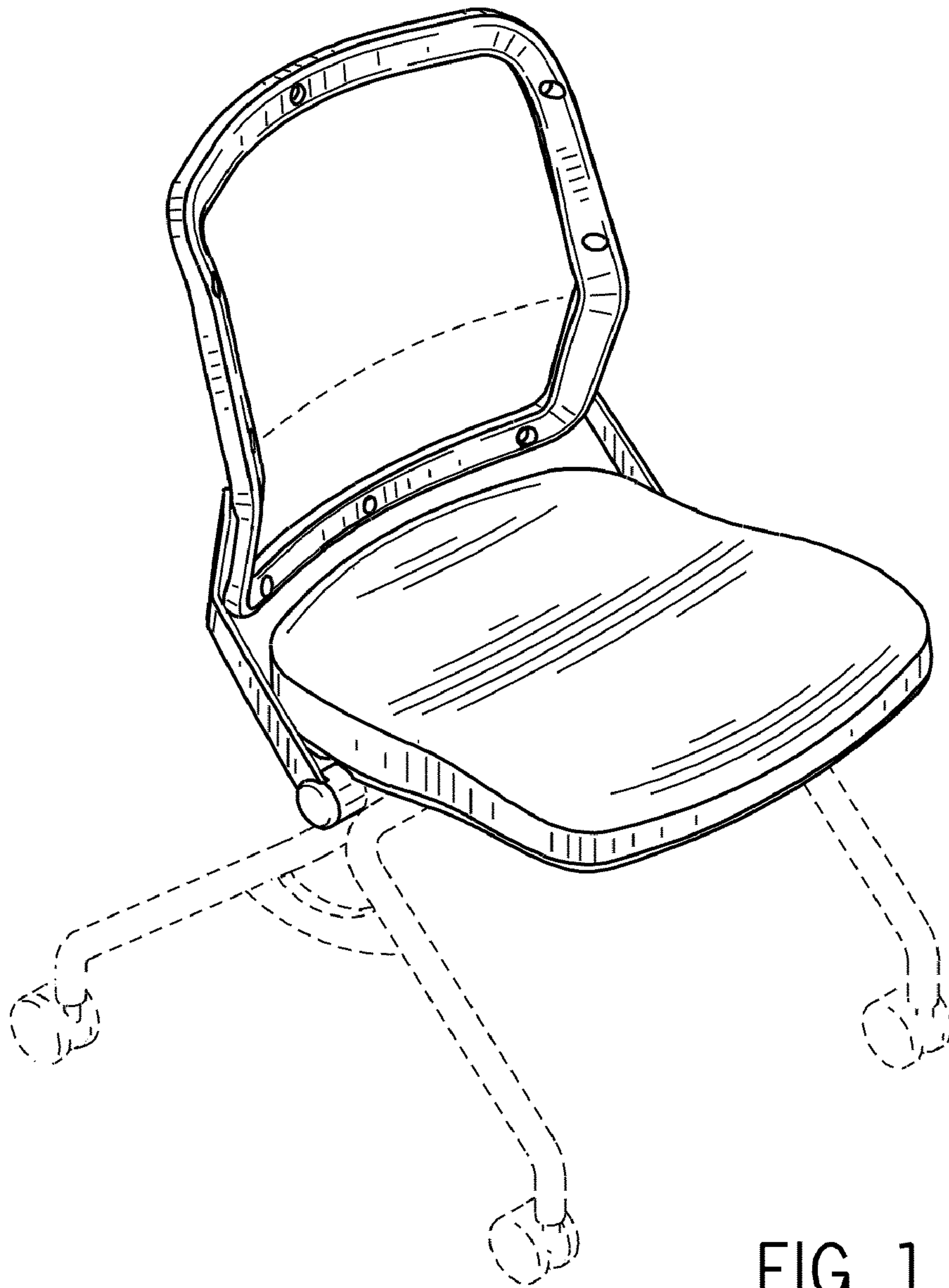


FIG. 1

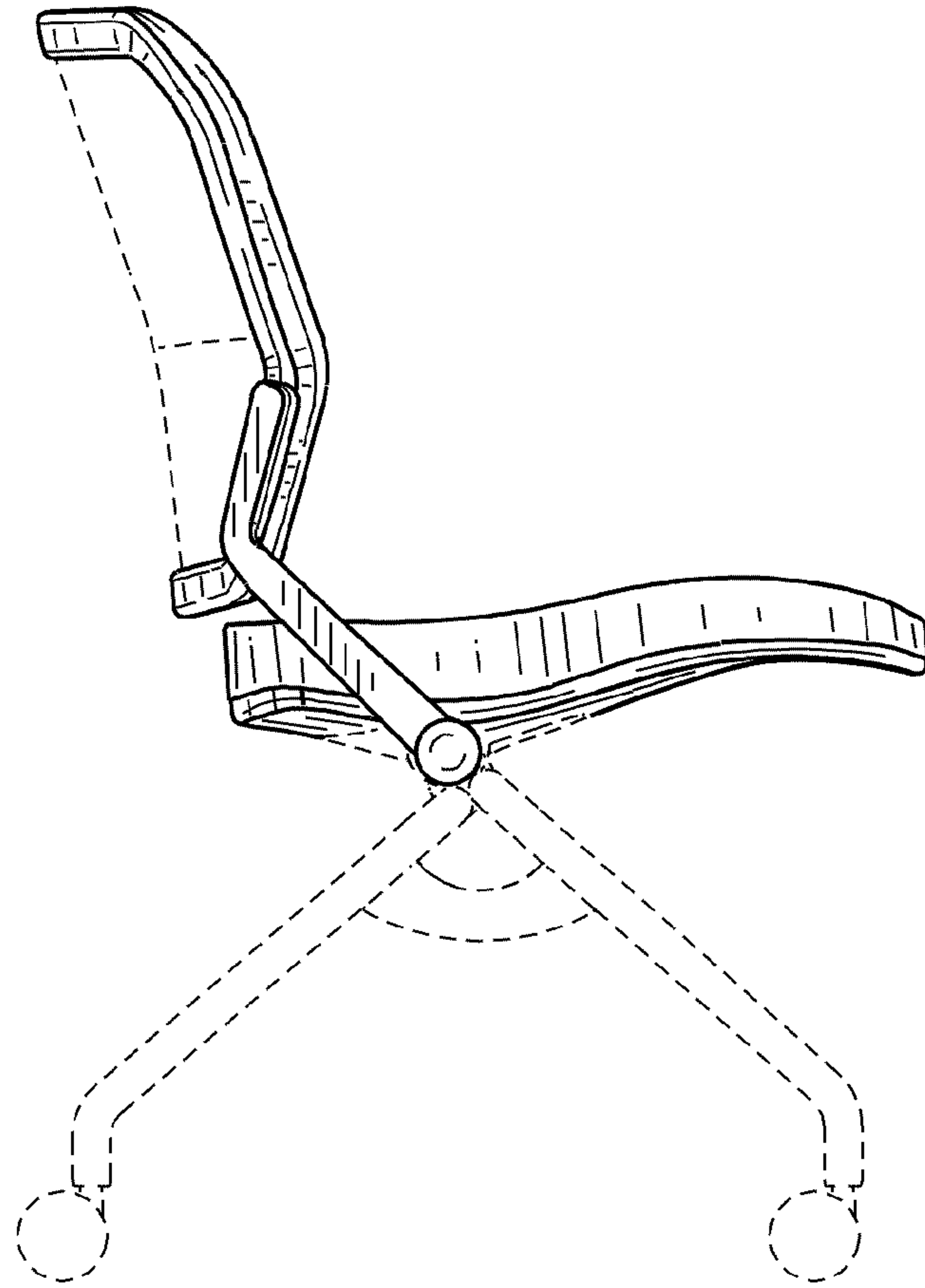


FIG. 2

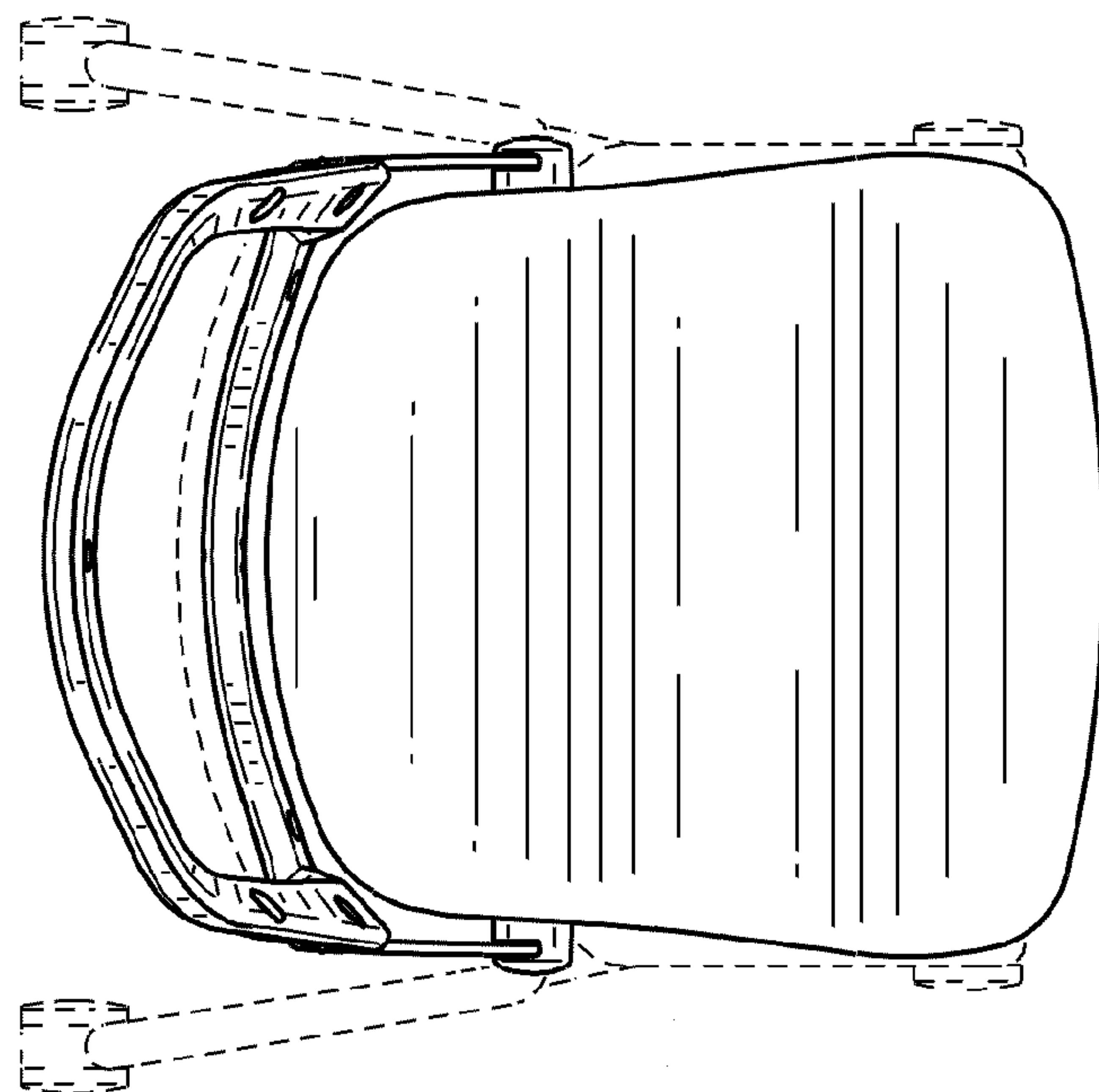


FIG. 3

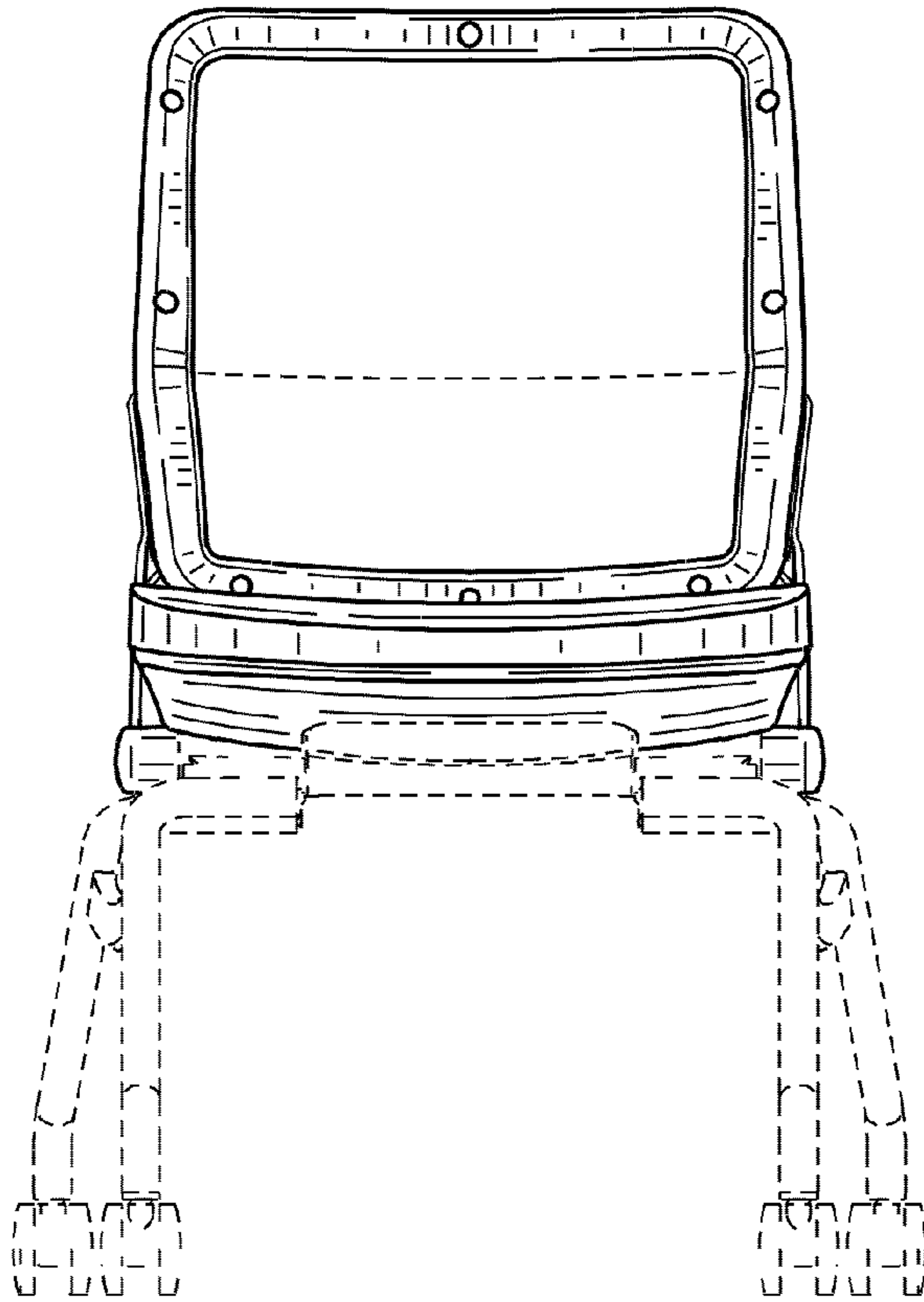
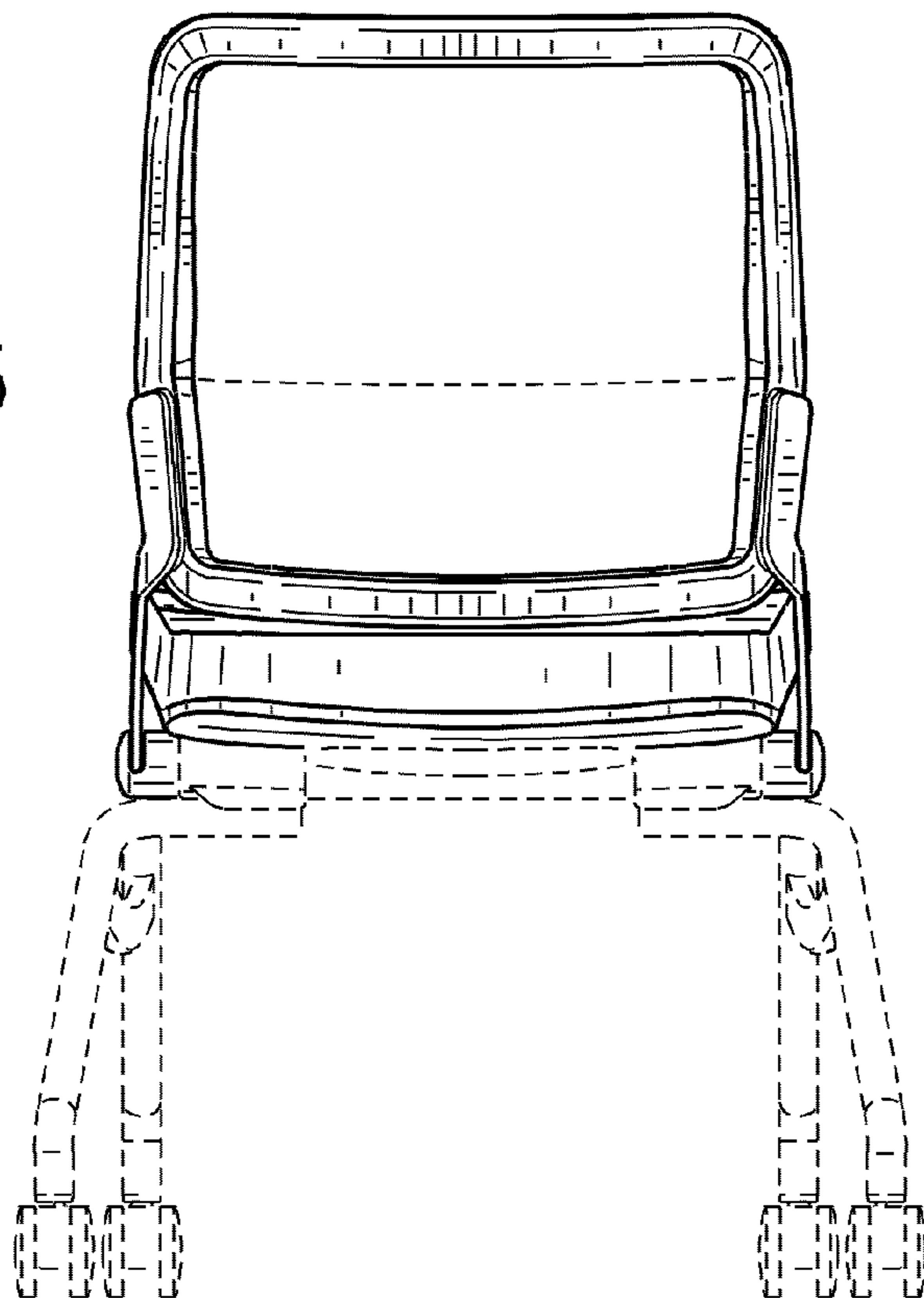


FIG. 4

FIG. 5



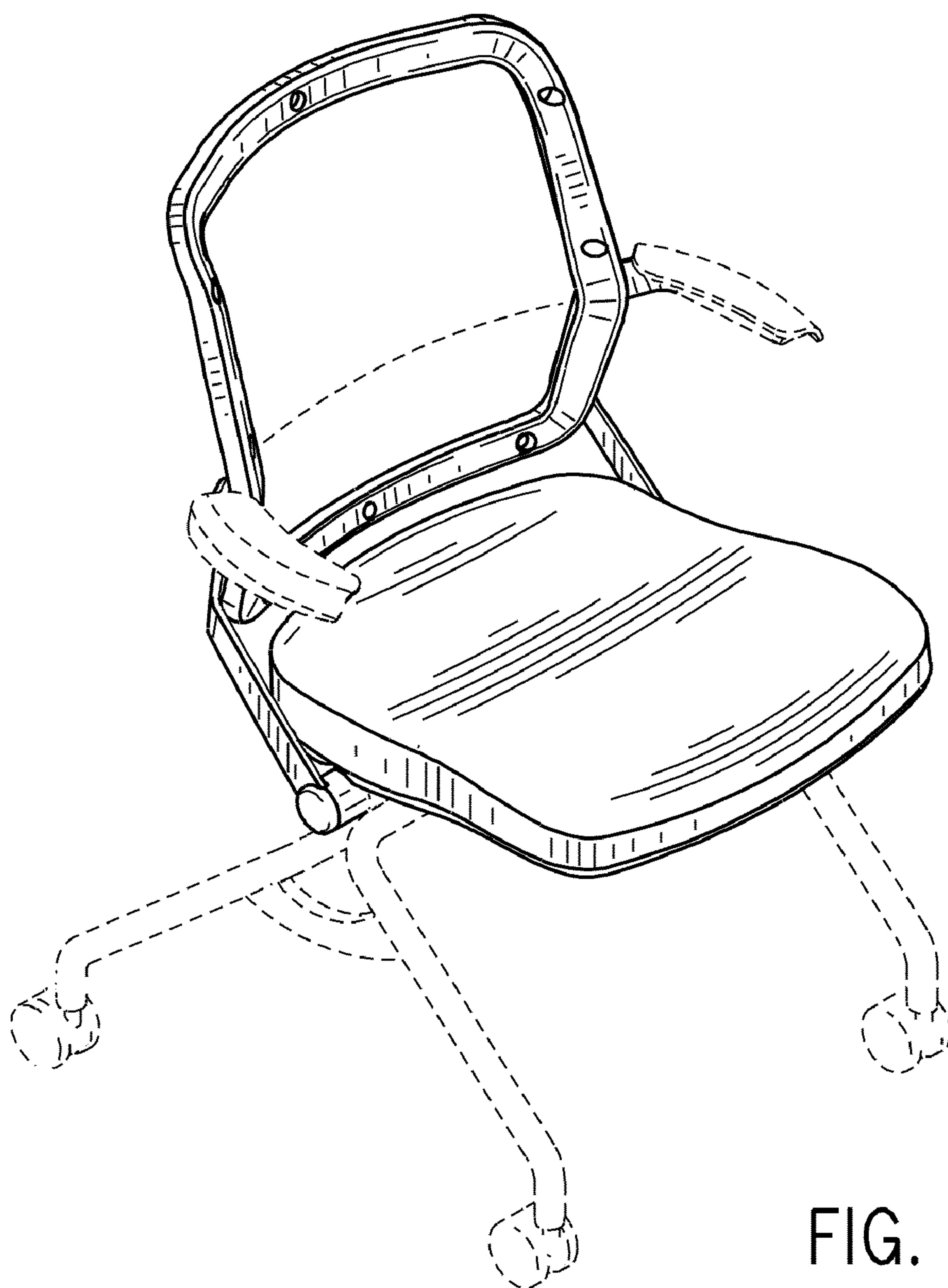


FIG. 6

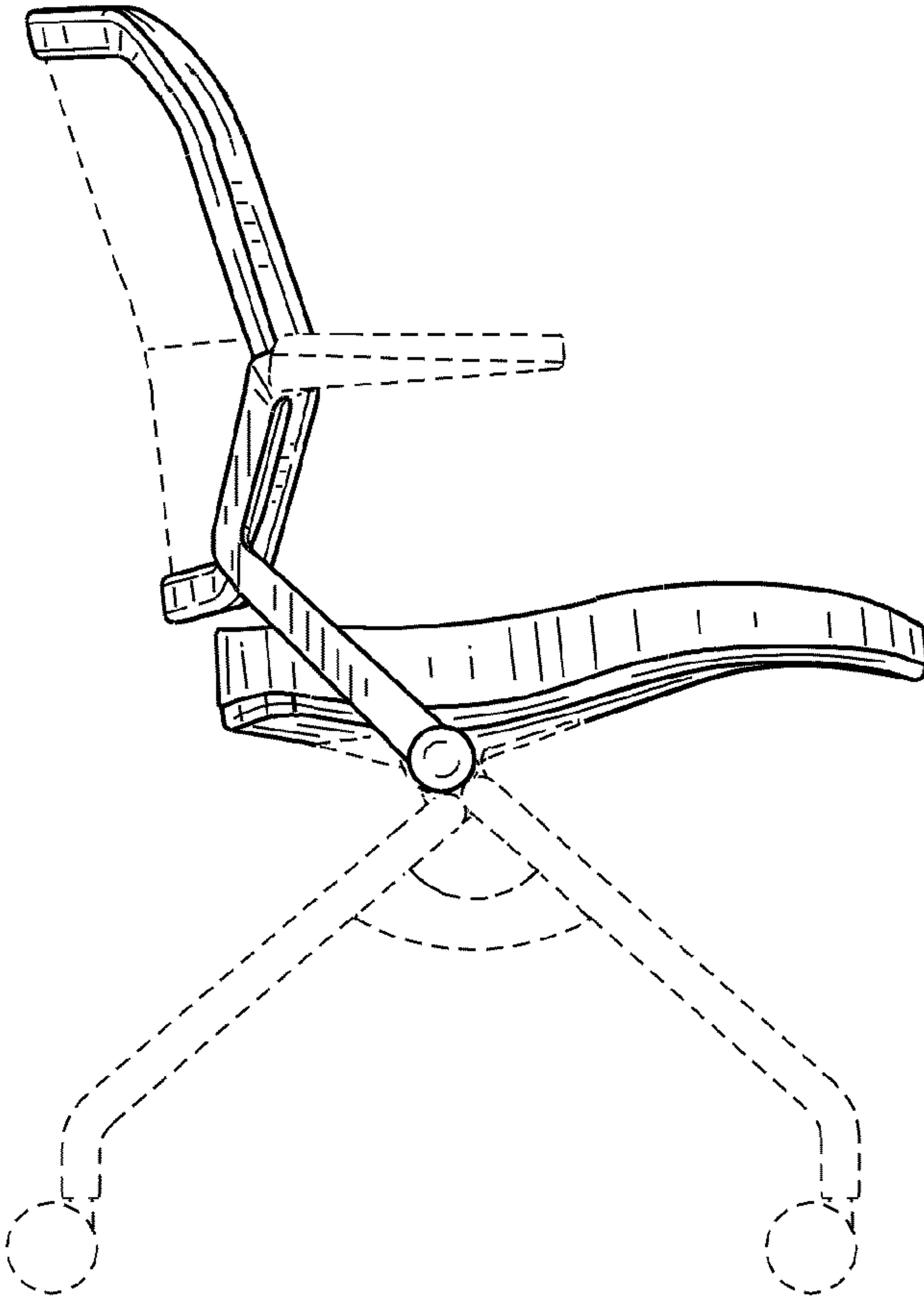


FIG. 7

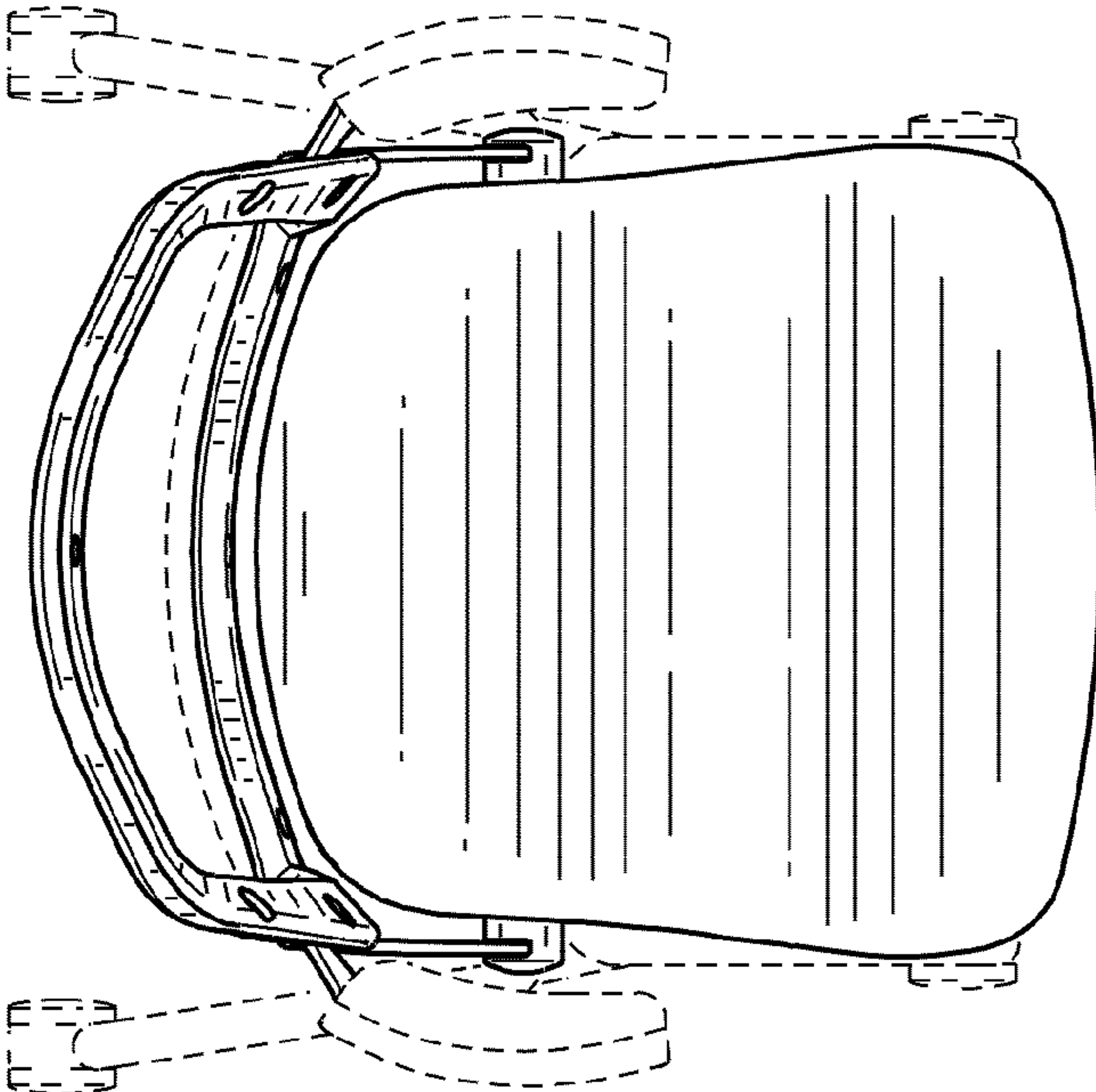


FIG. 8

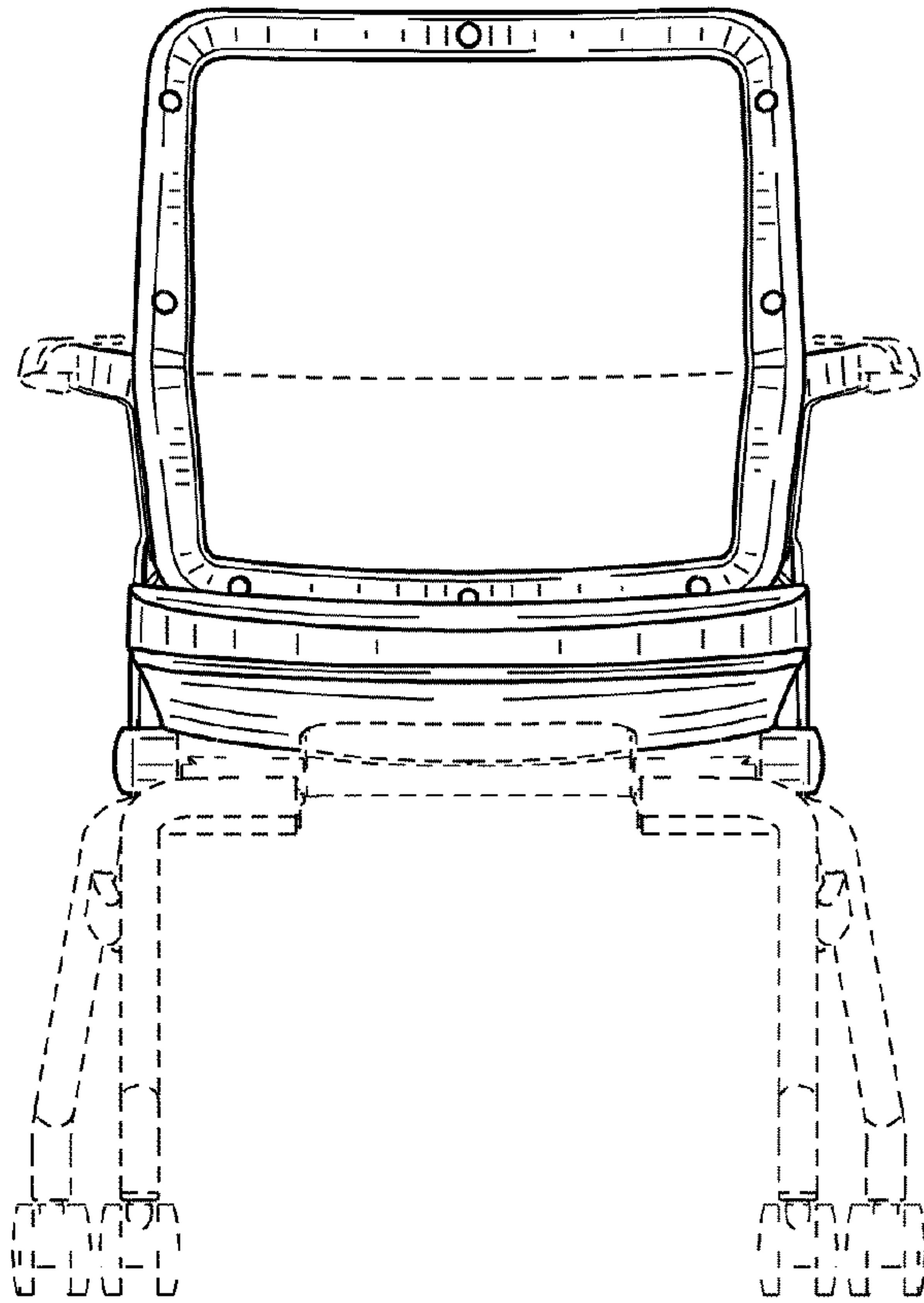
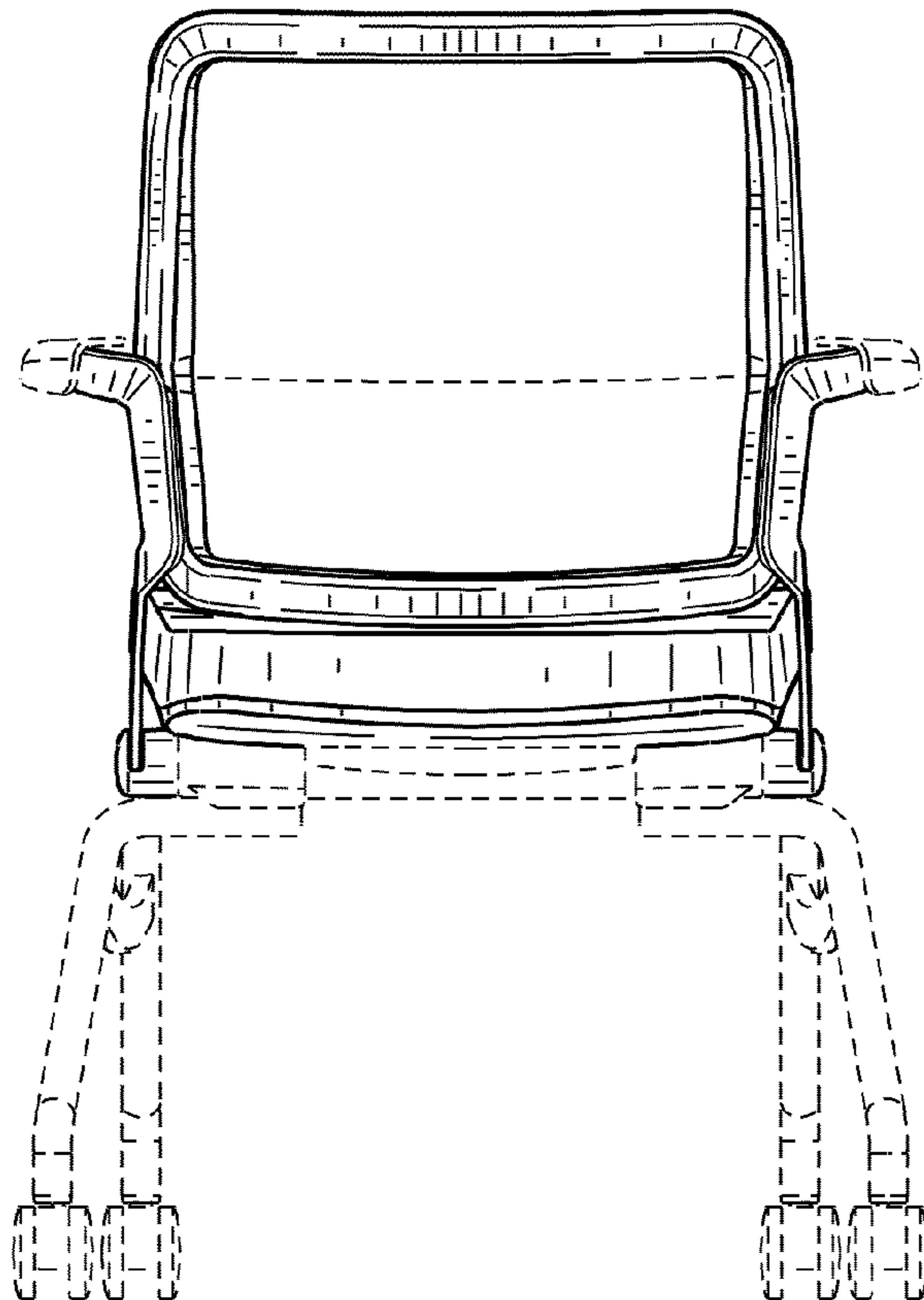


FIG. 9

FIG. 10



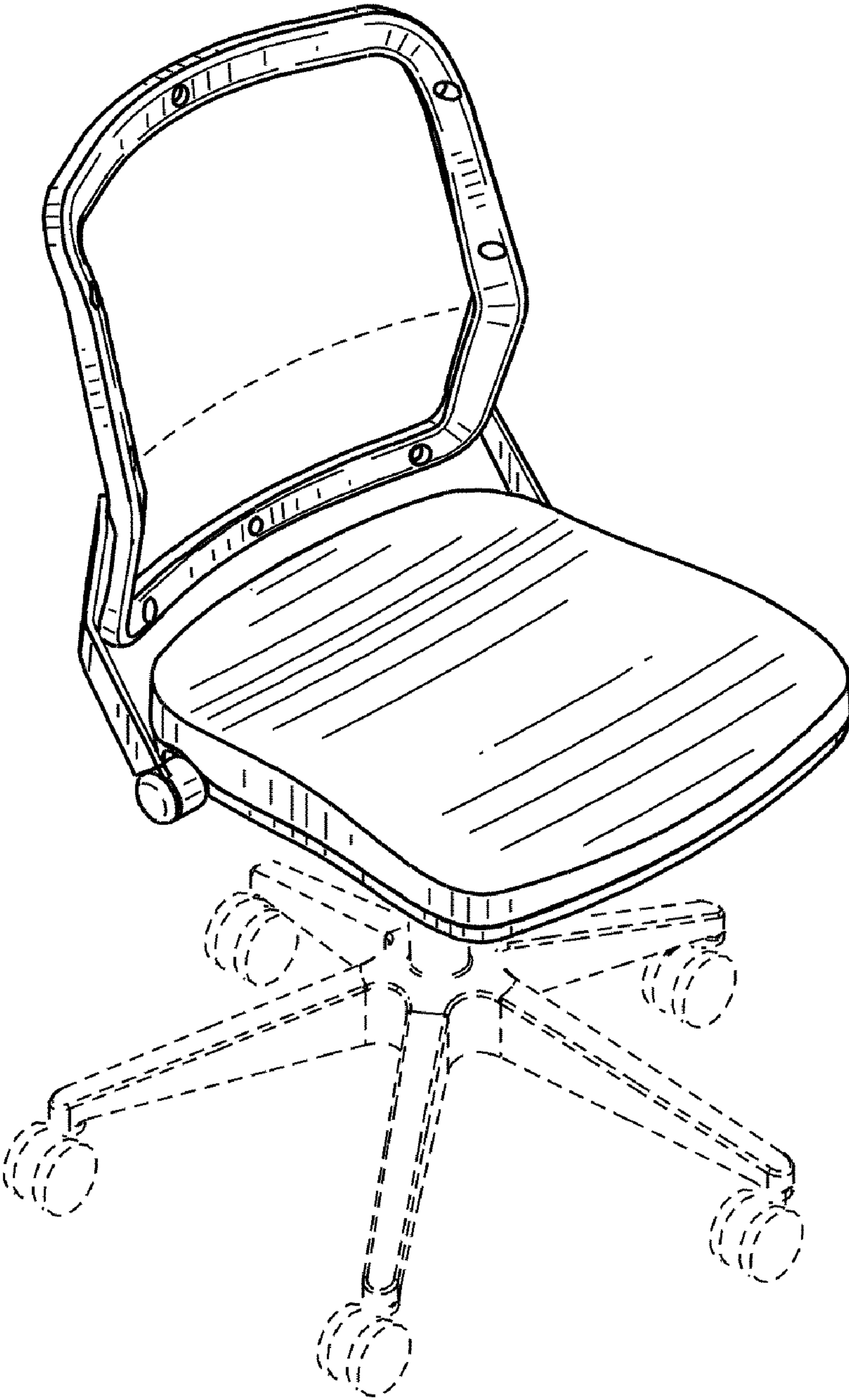


FIG. 11

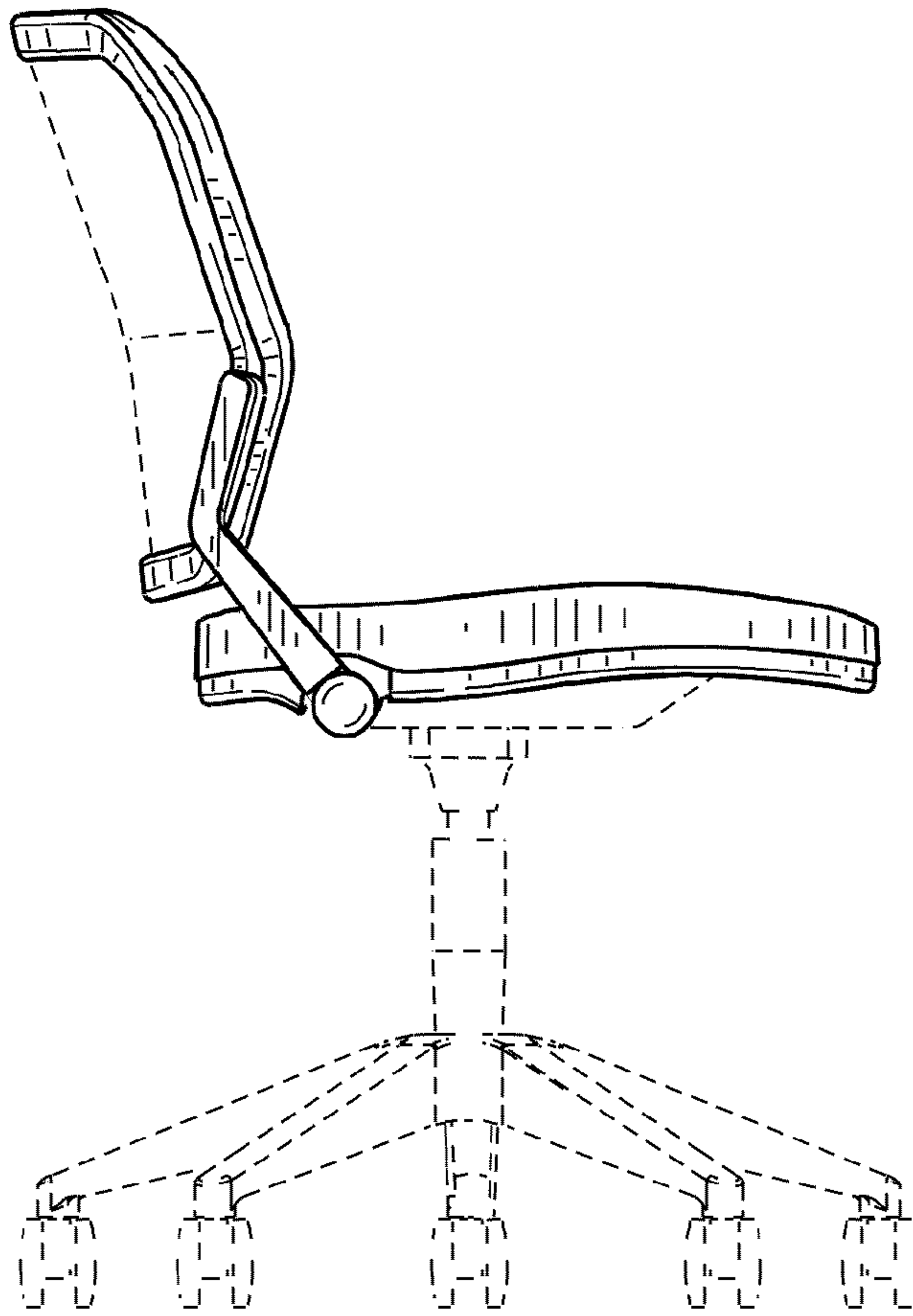


FIG. 12

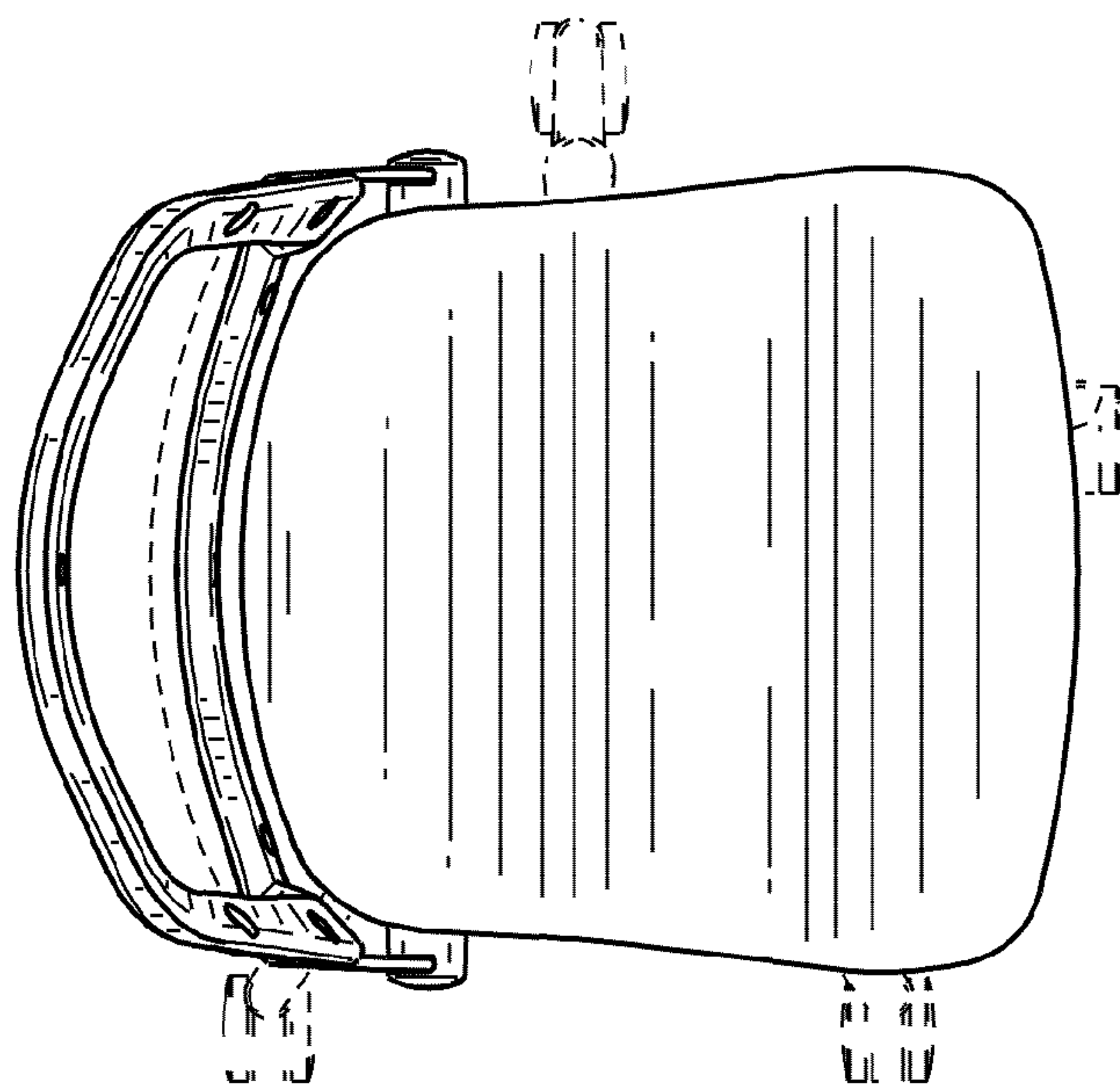


FIG. 13

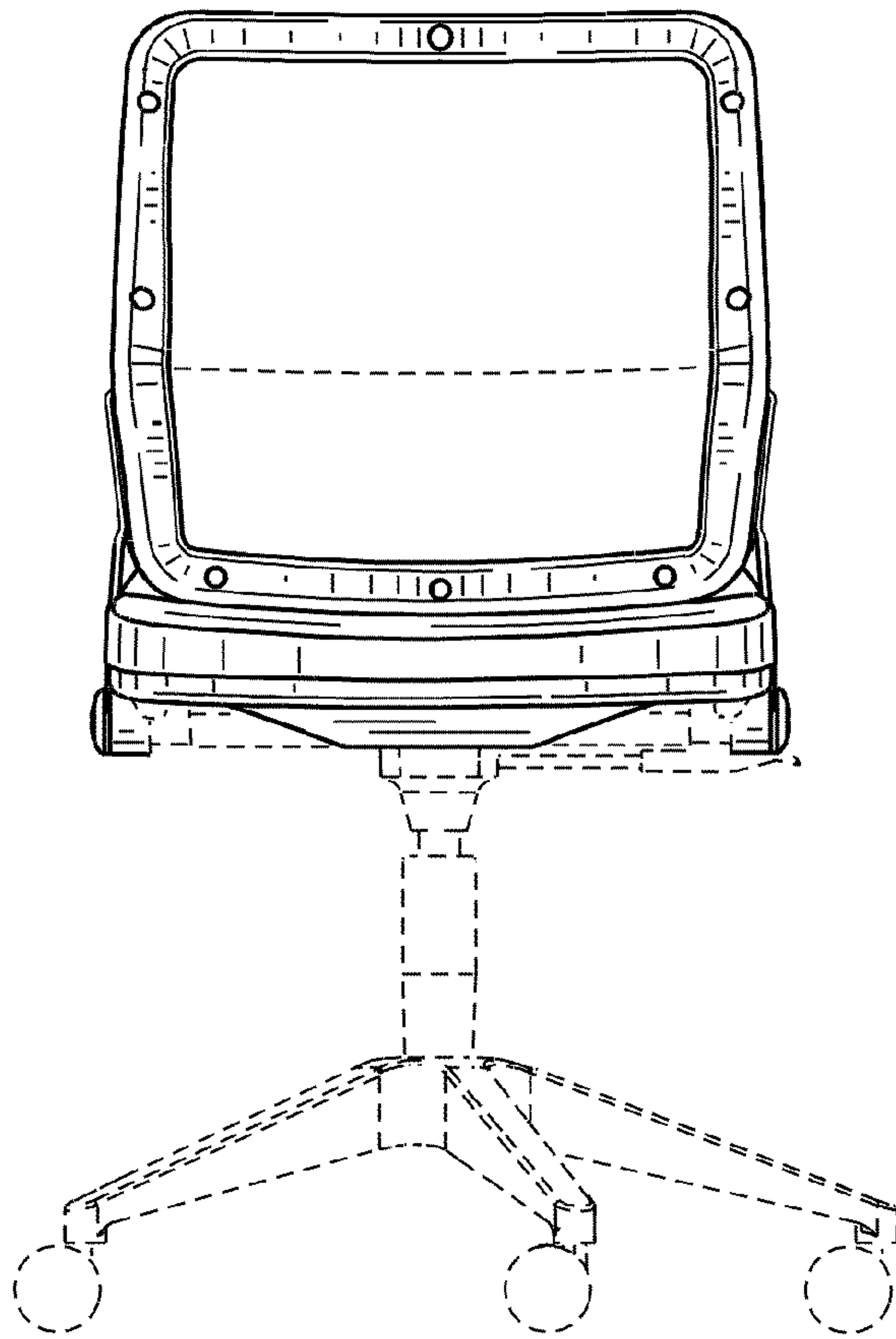
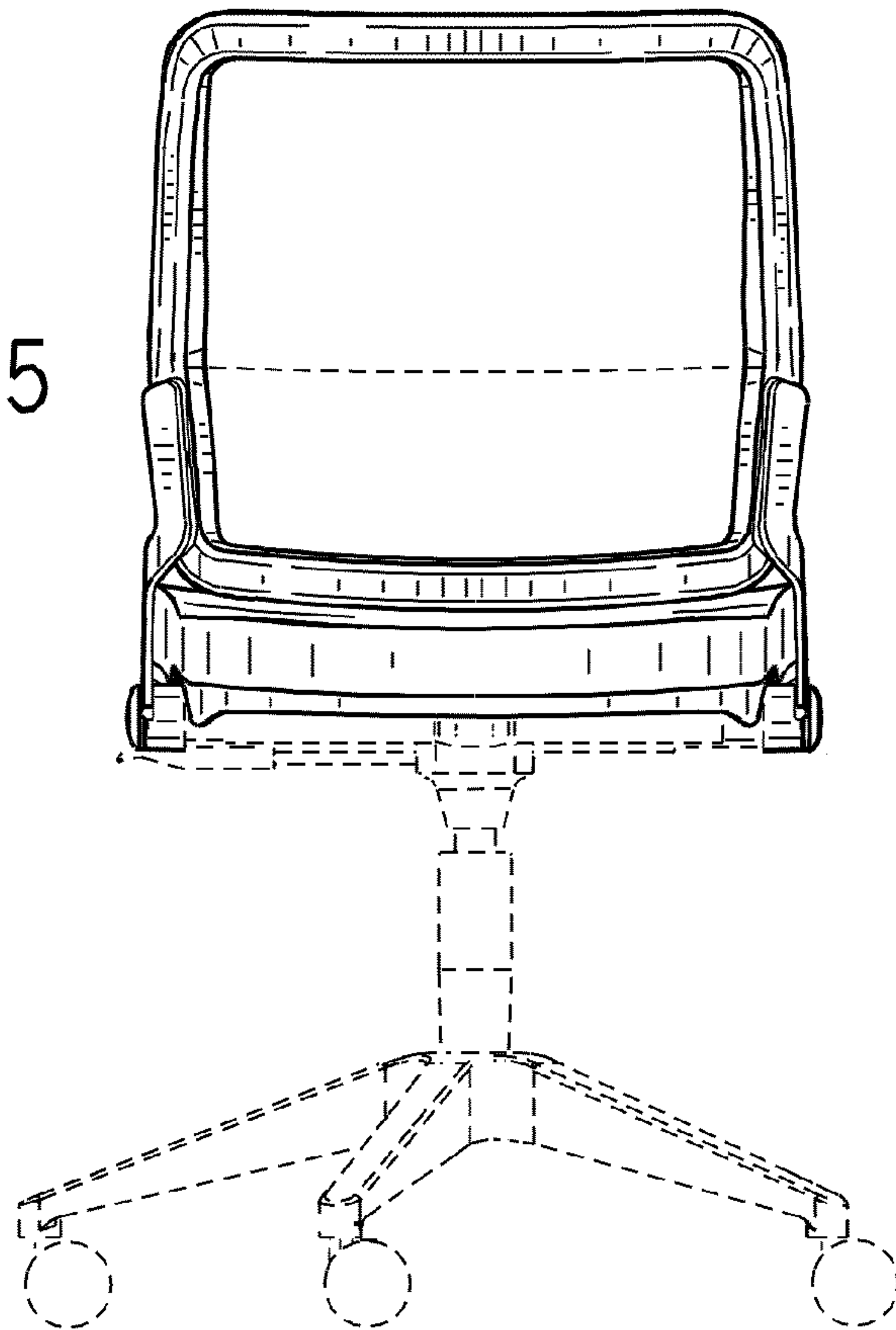


FIG. 14

FIG. 15



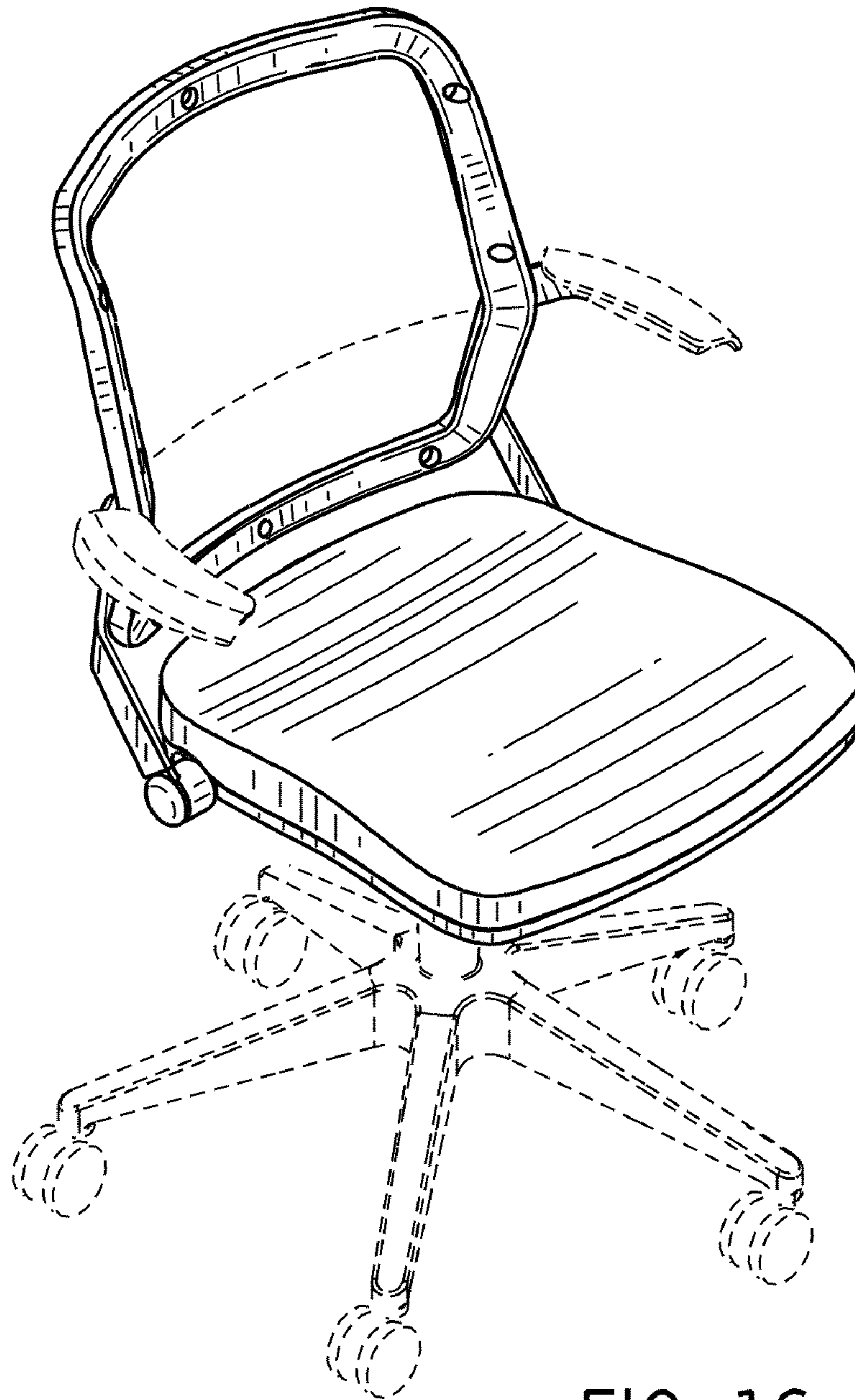


FIG. 16

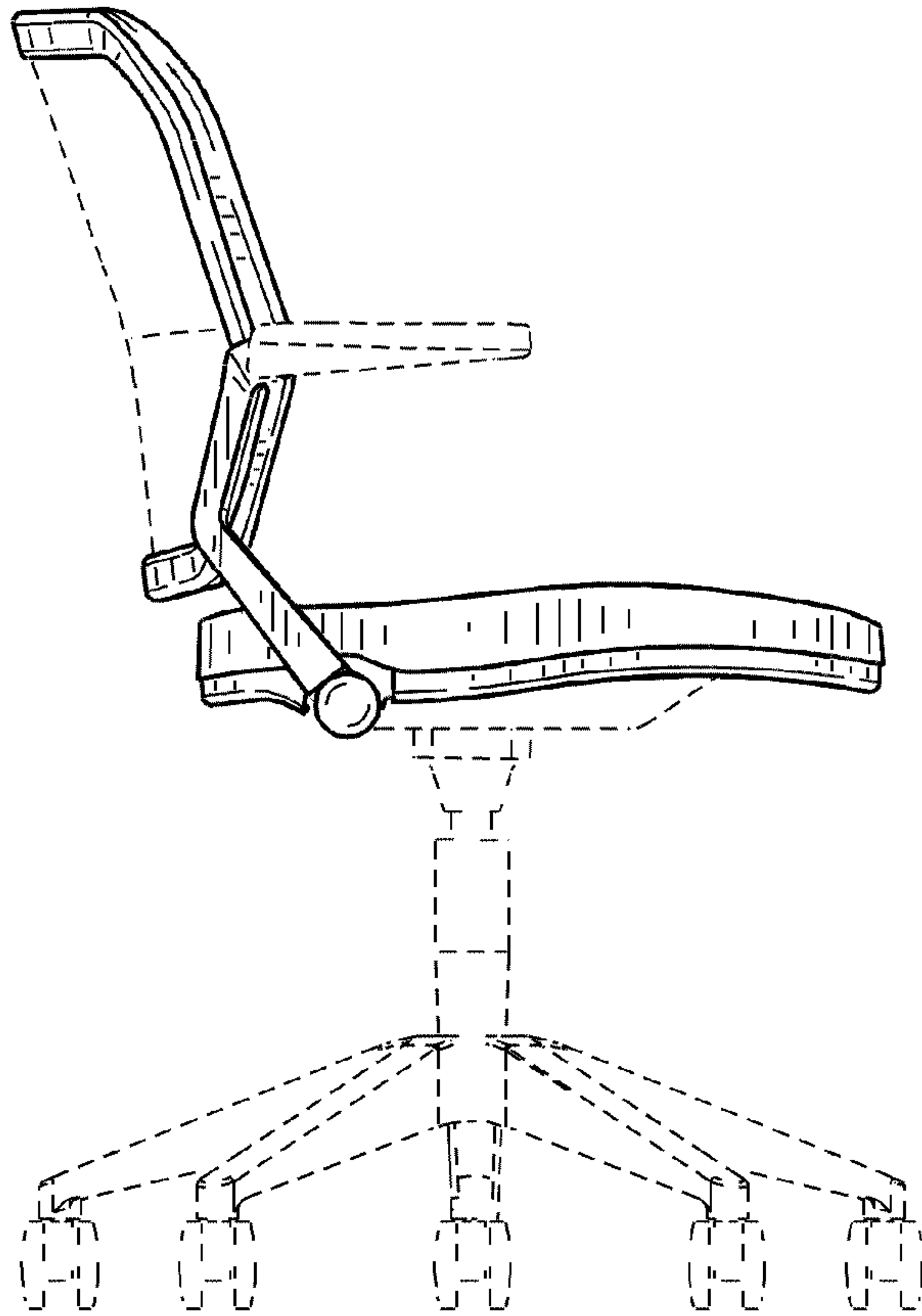


FIG. 17

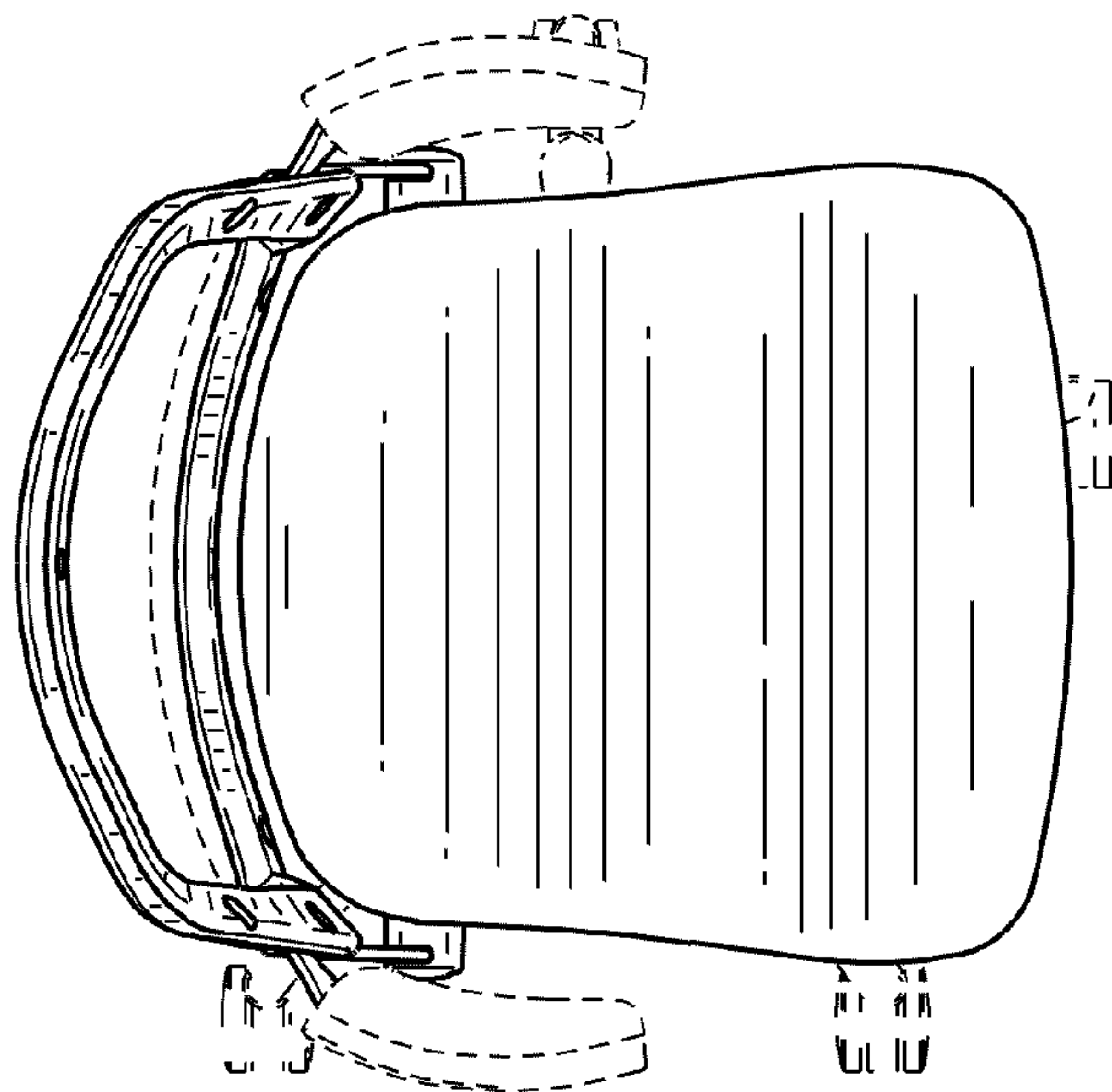


FIG. 18

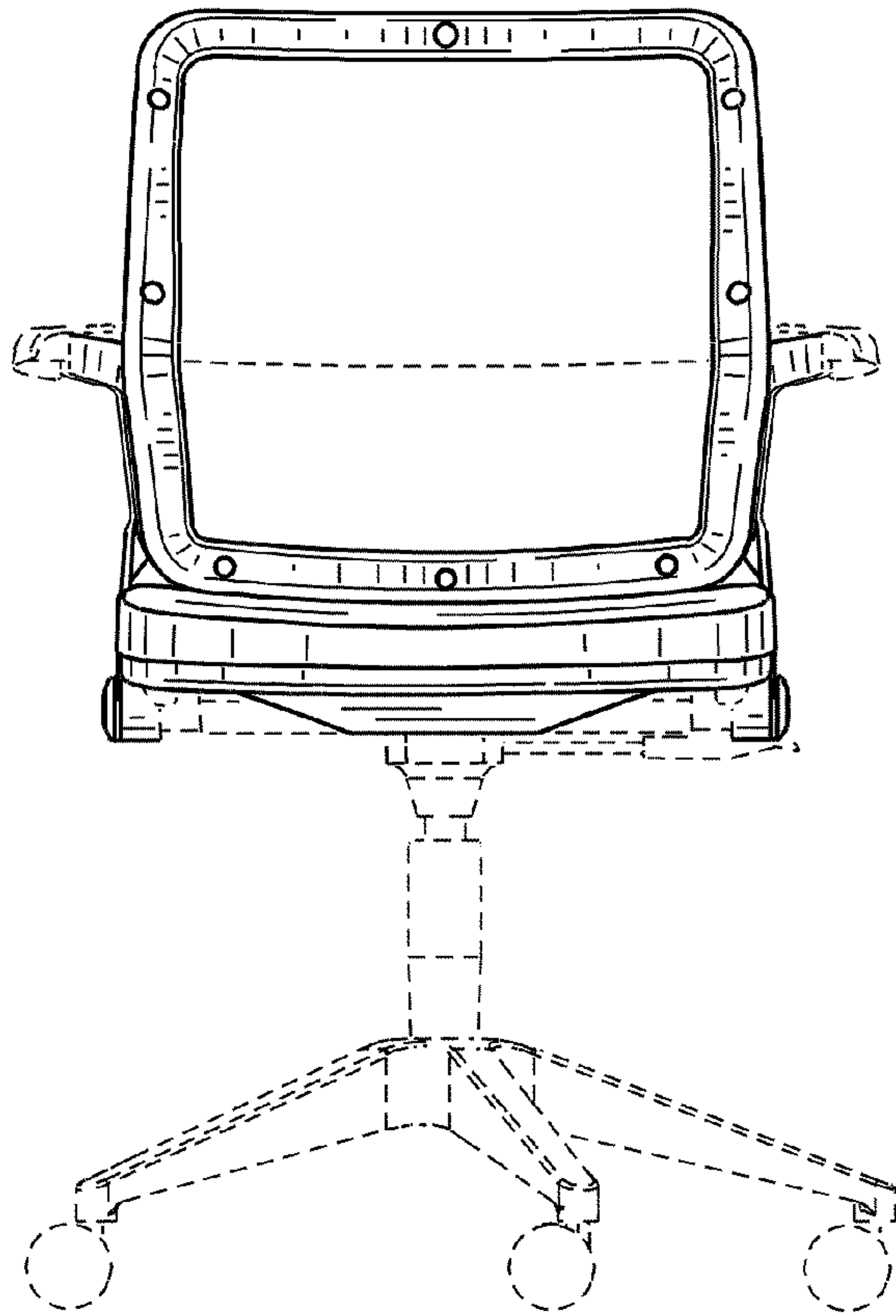
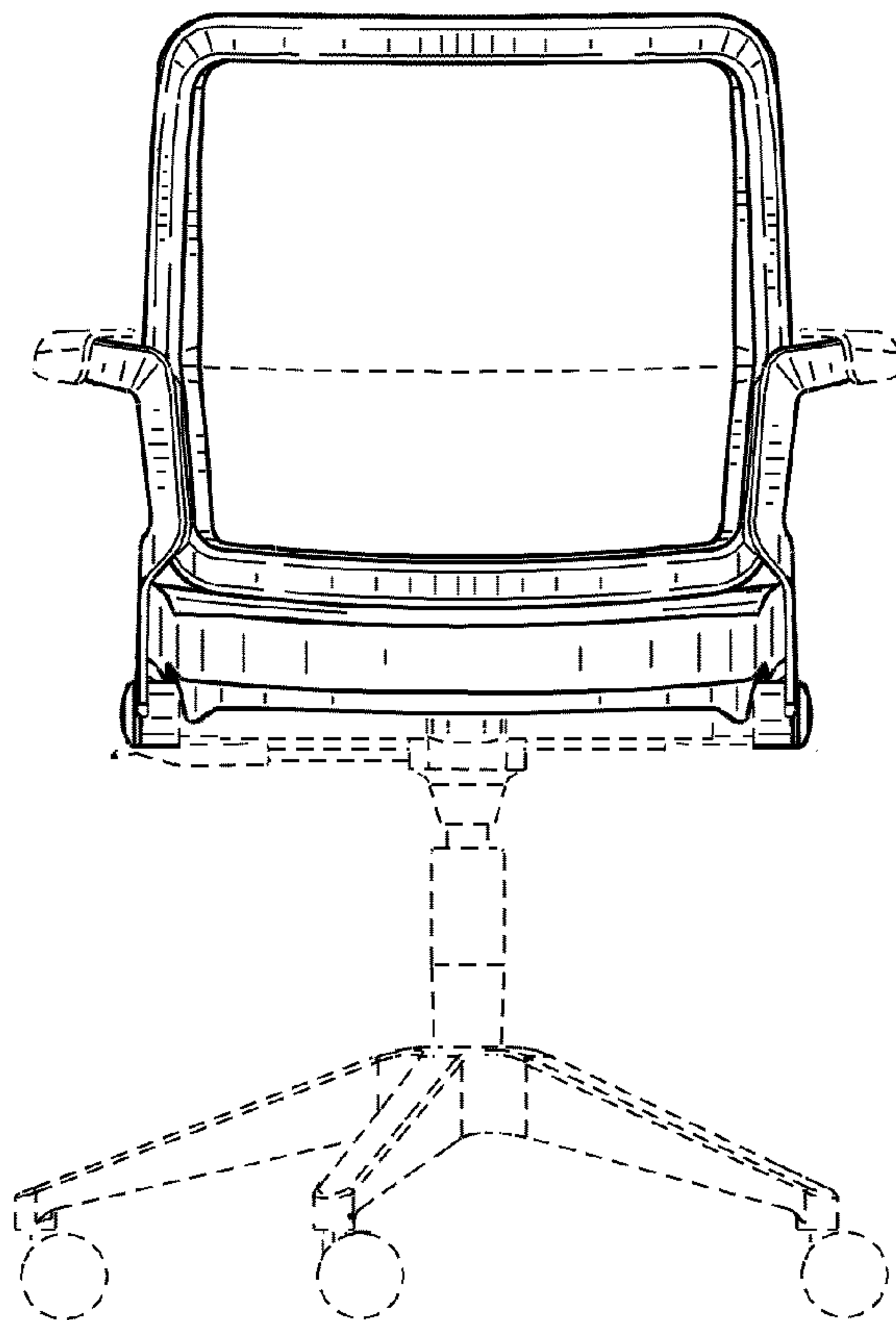


FIG. 19

FIG. 20



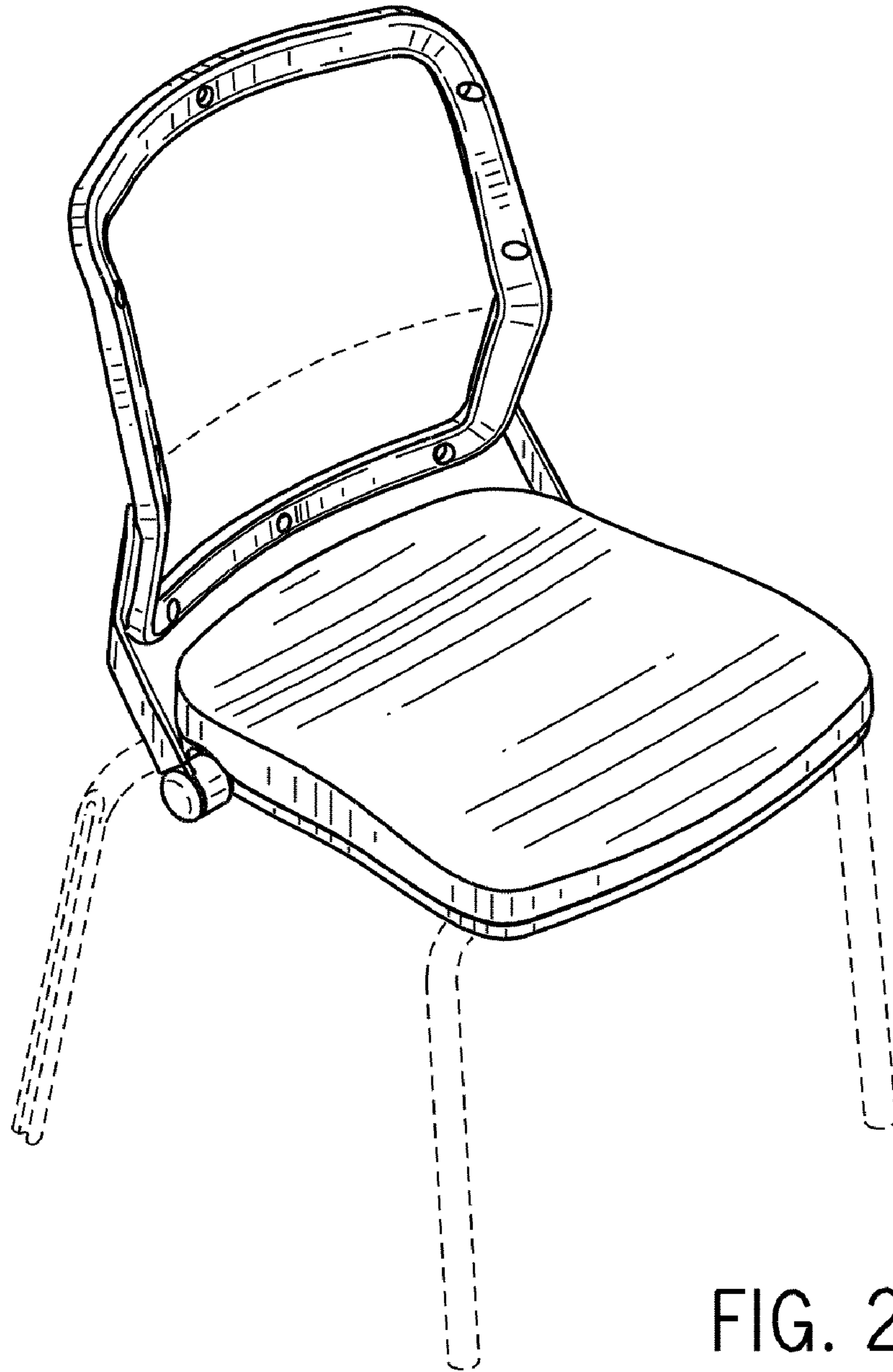


FIG. 21

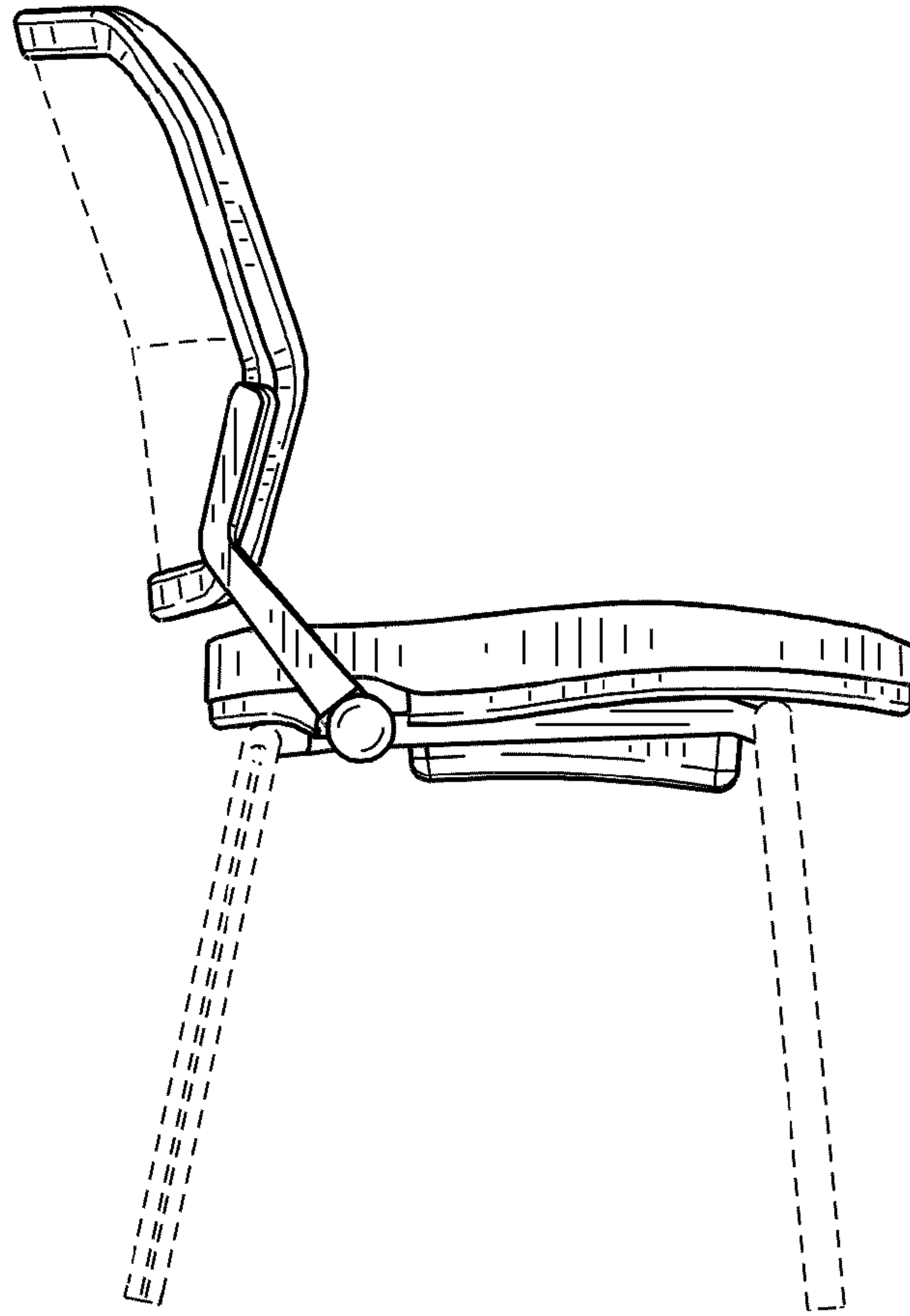


FIG. 22

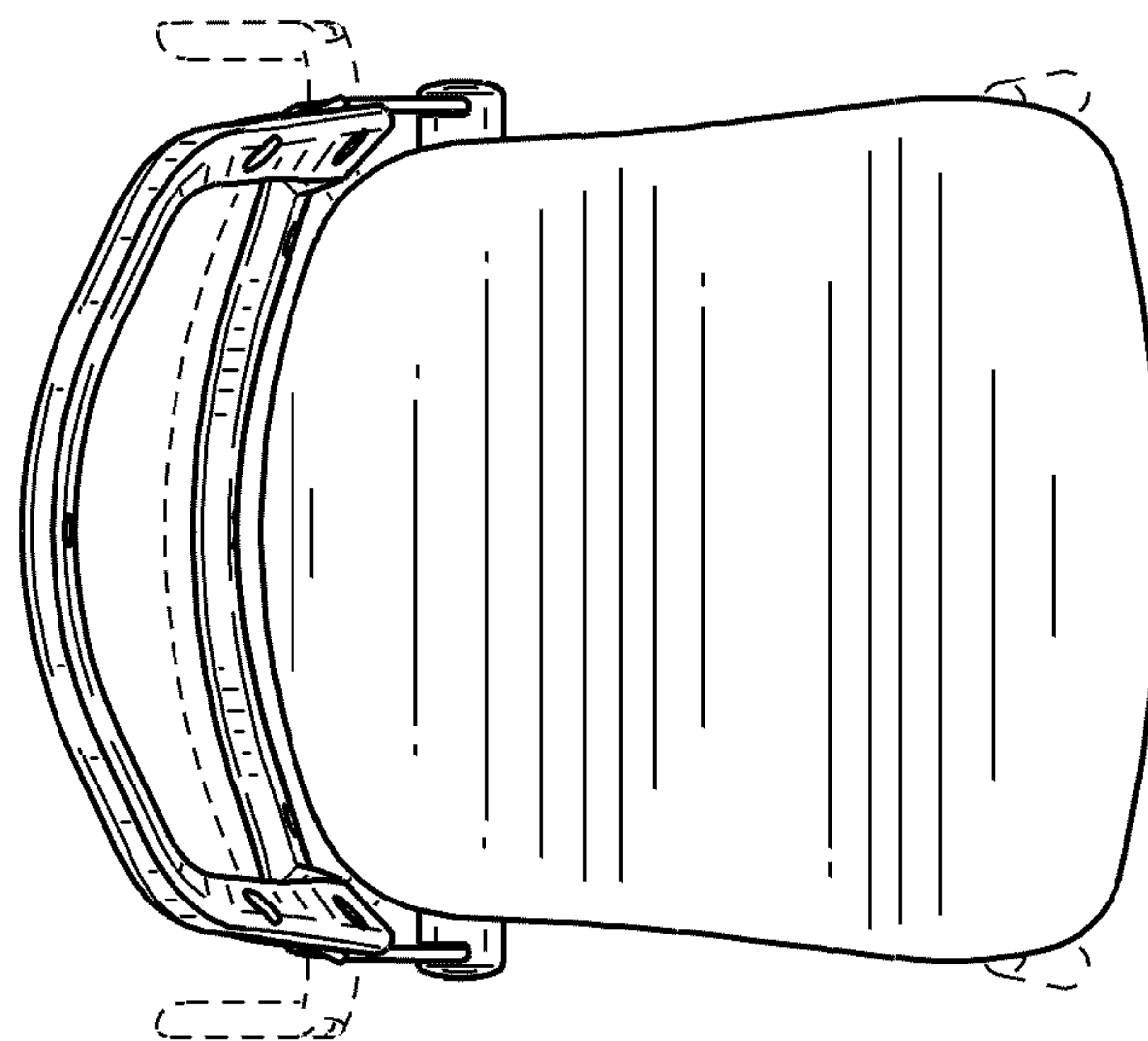


FIG. 23

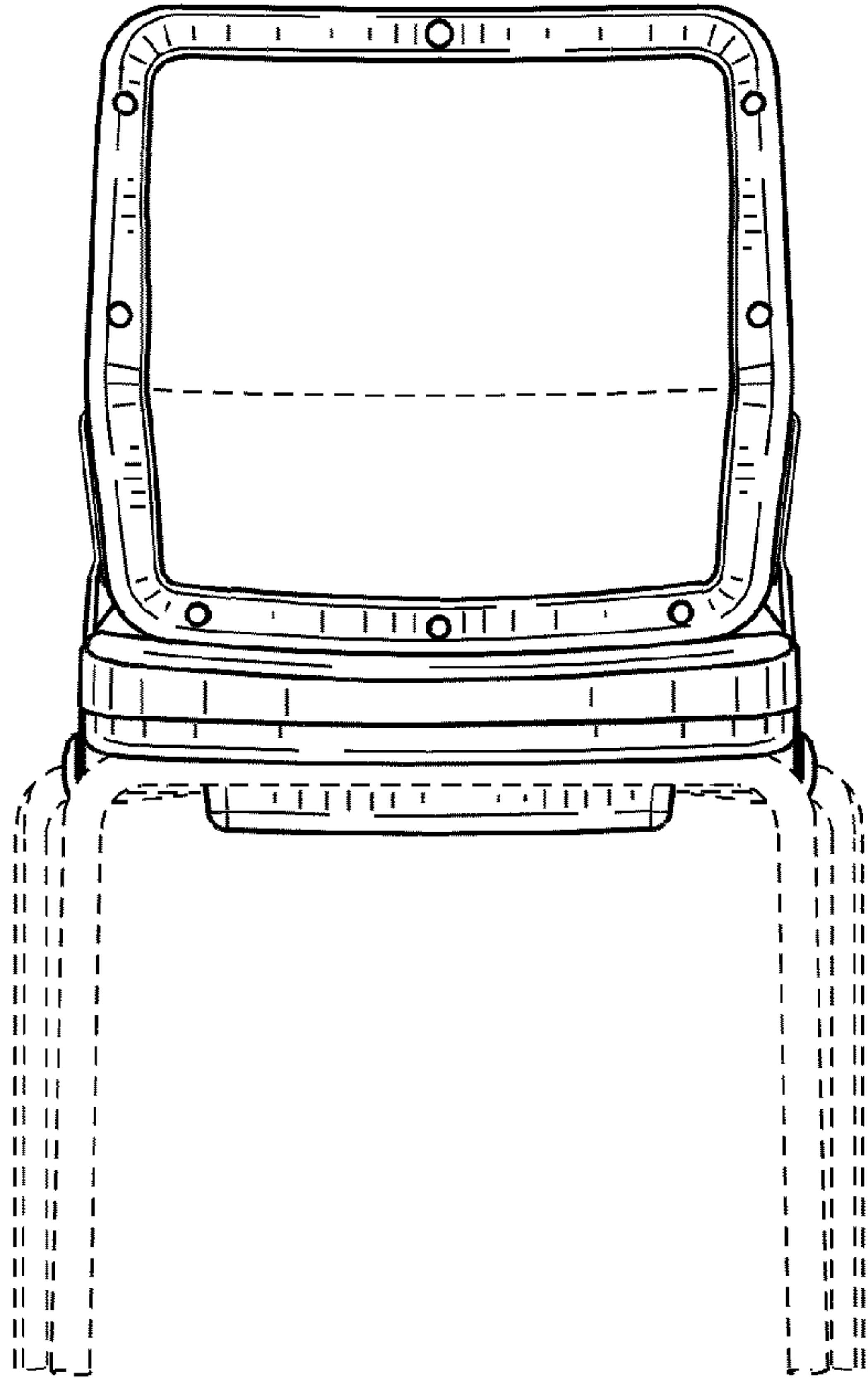


FIG. 24

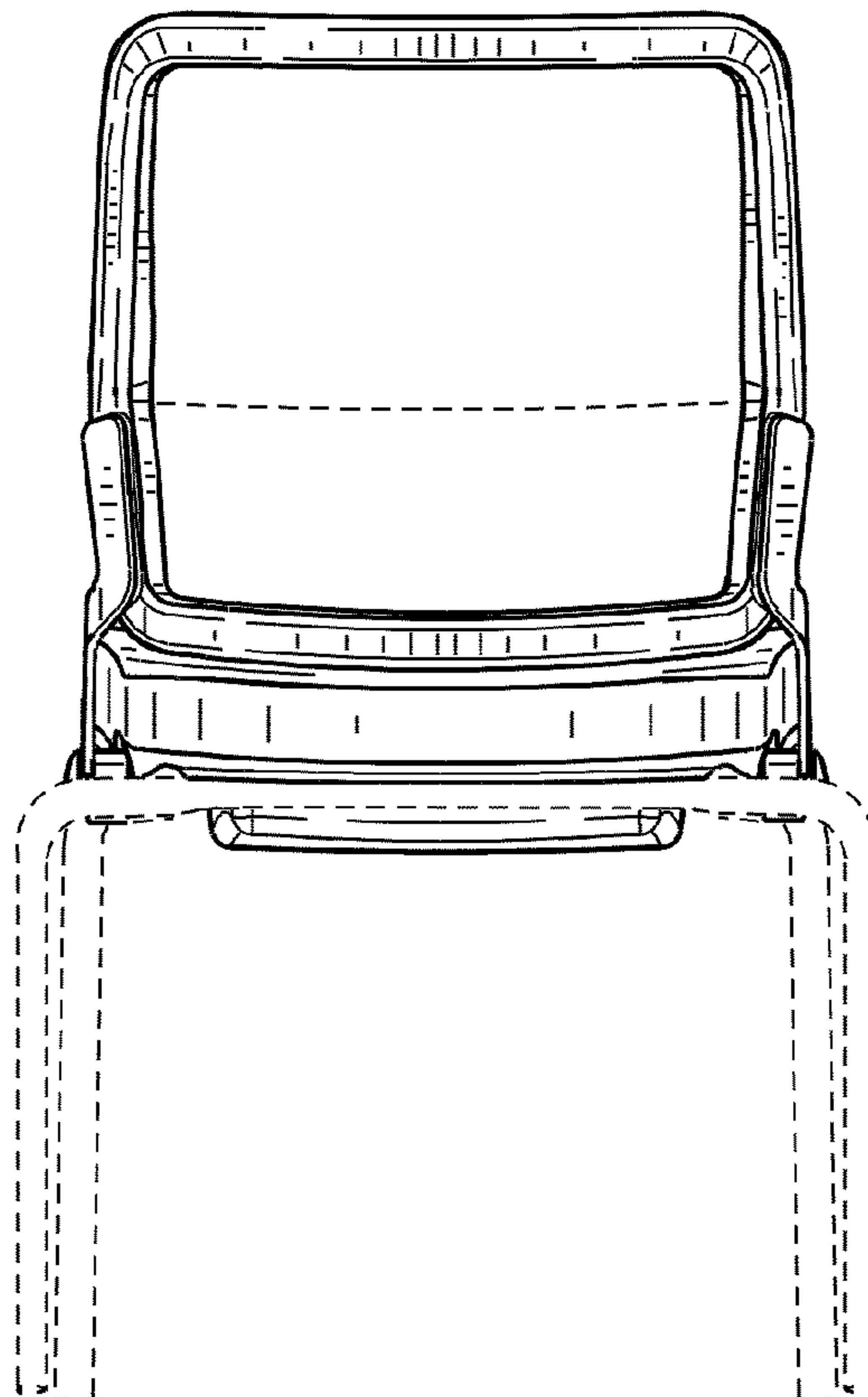


FIG. 25

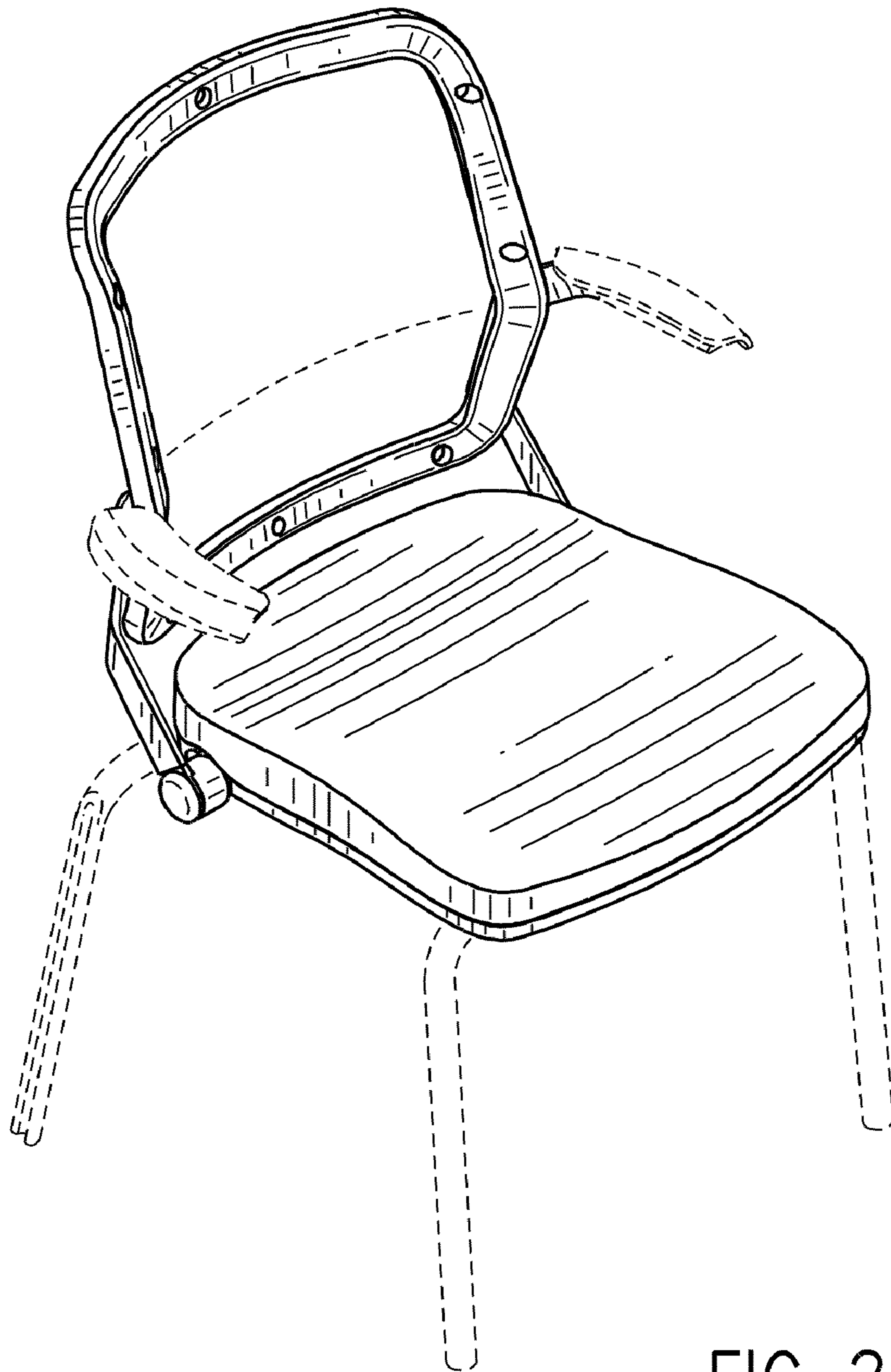


FIG. 26

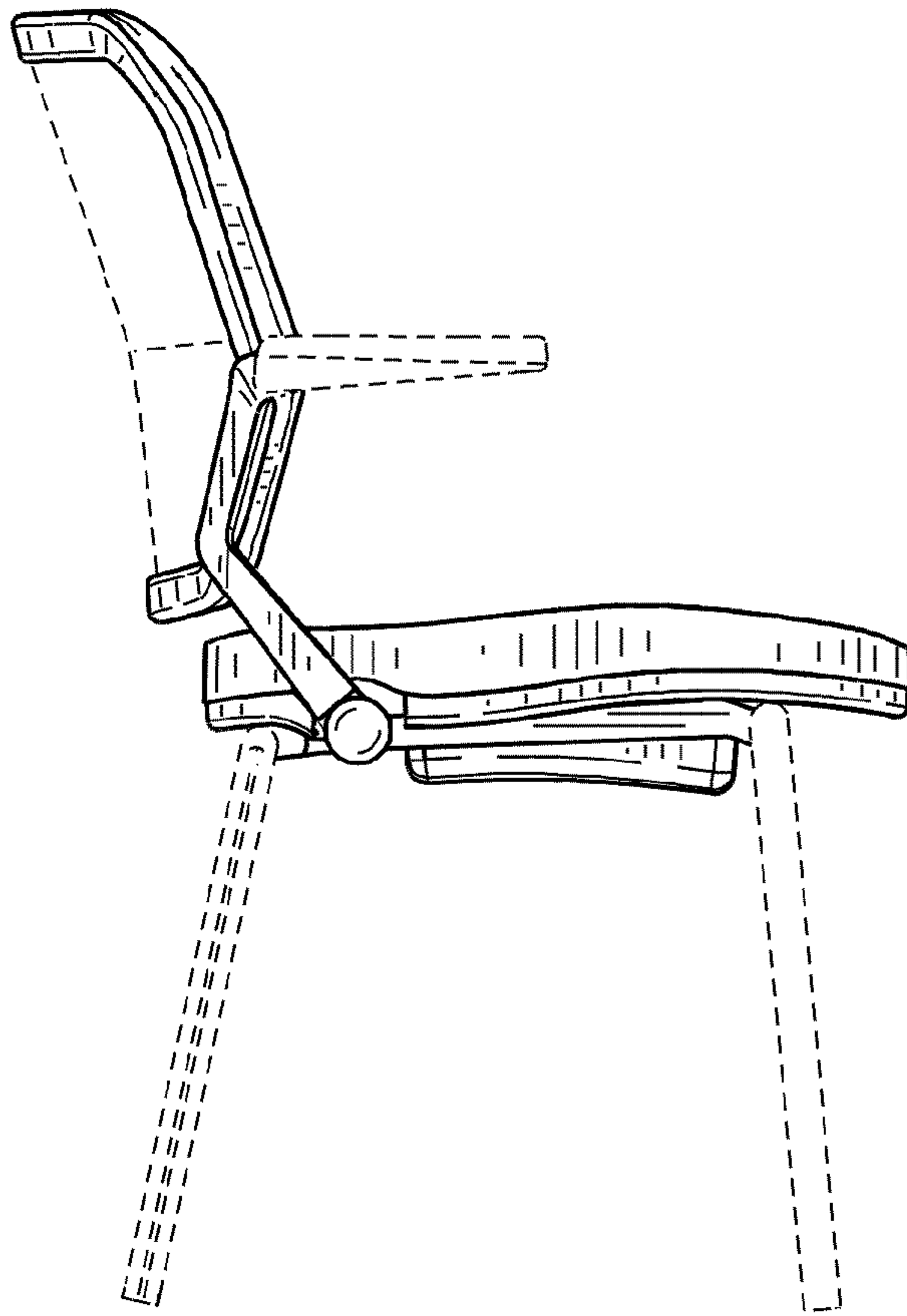


FIG. 27

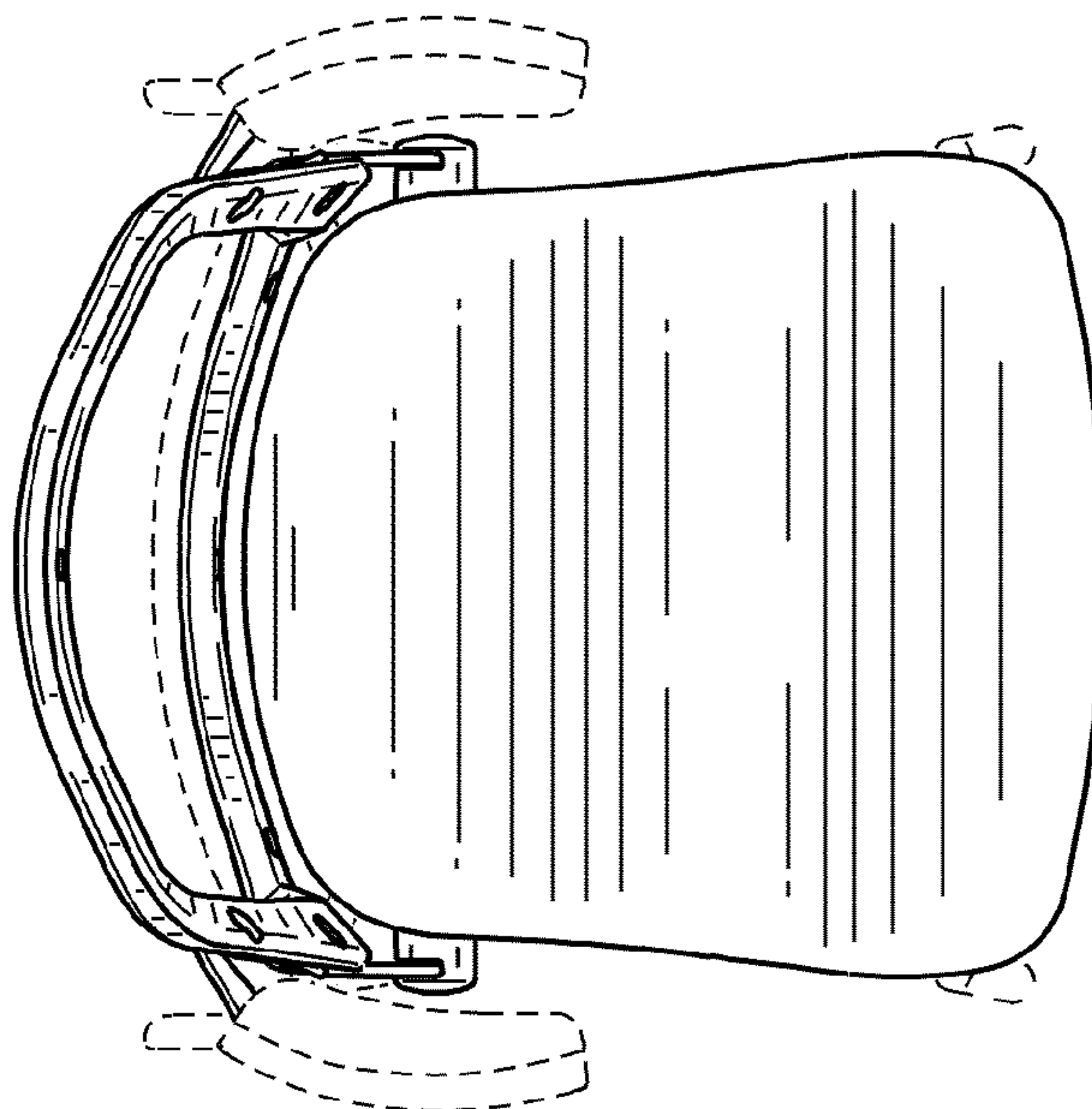


FIG. 28

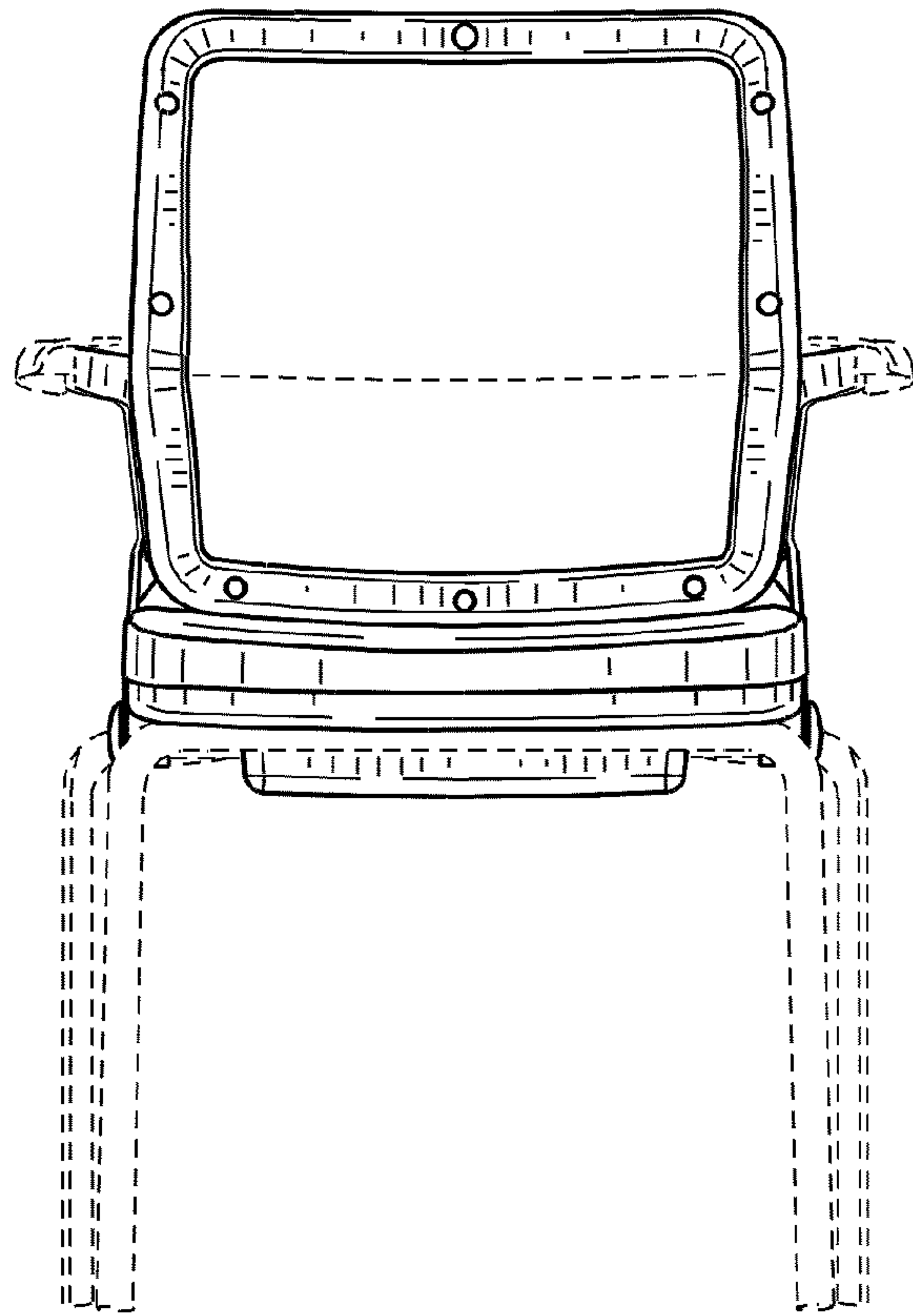
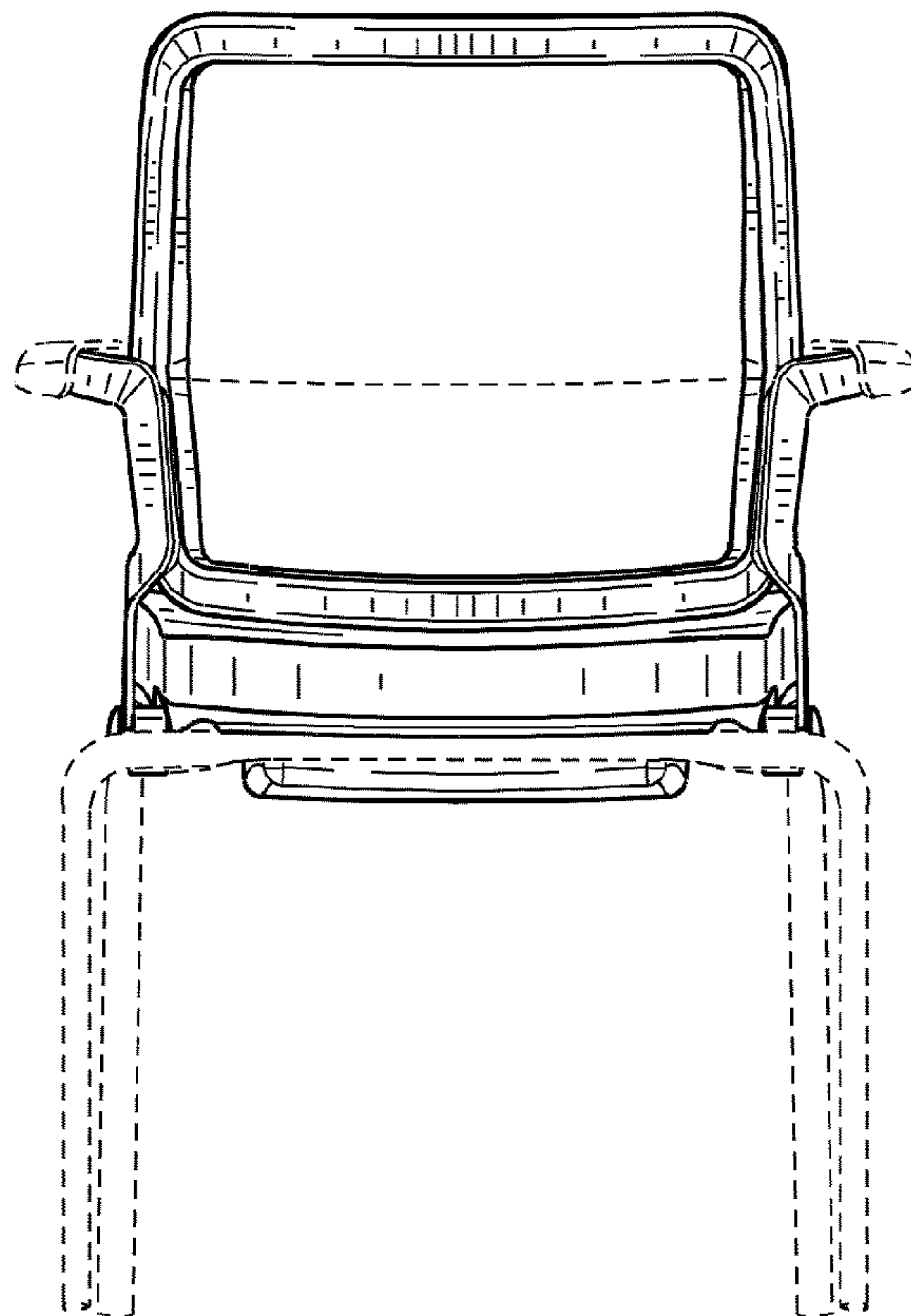


FIG. 29

FIG. 30



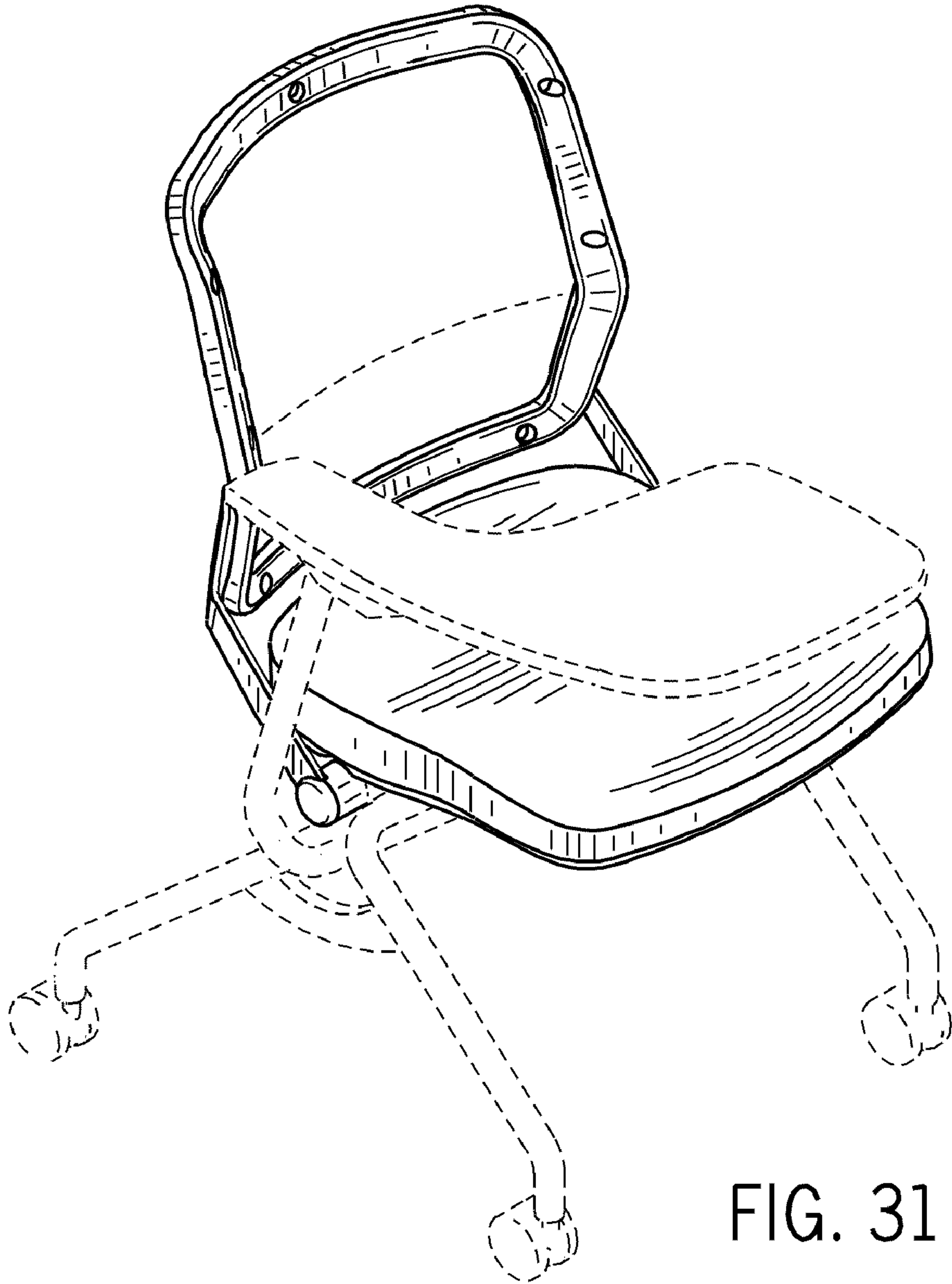


FIG. 31

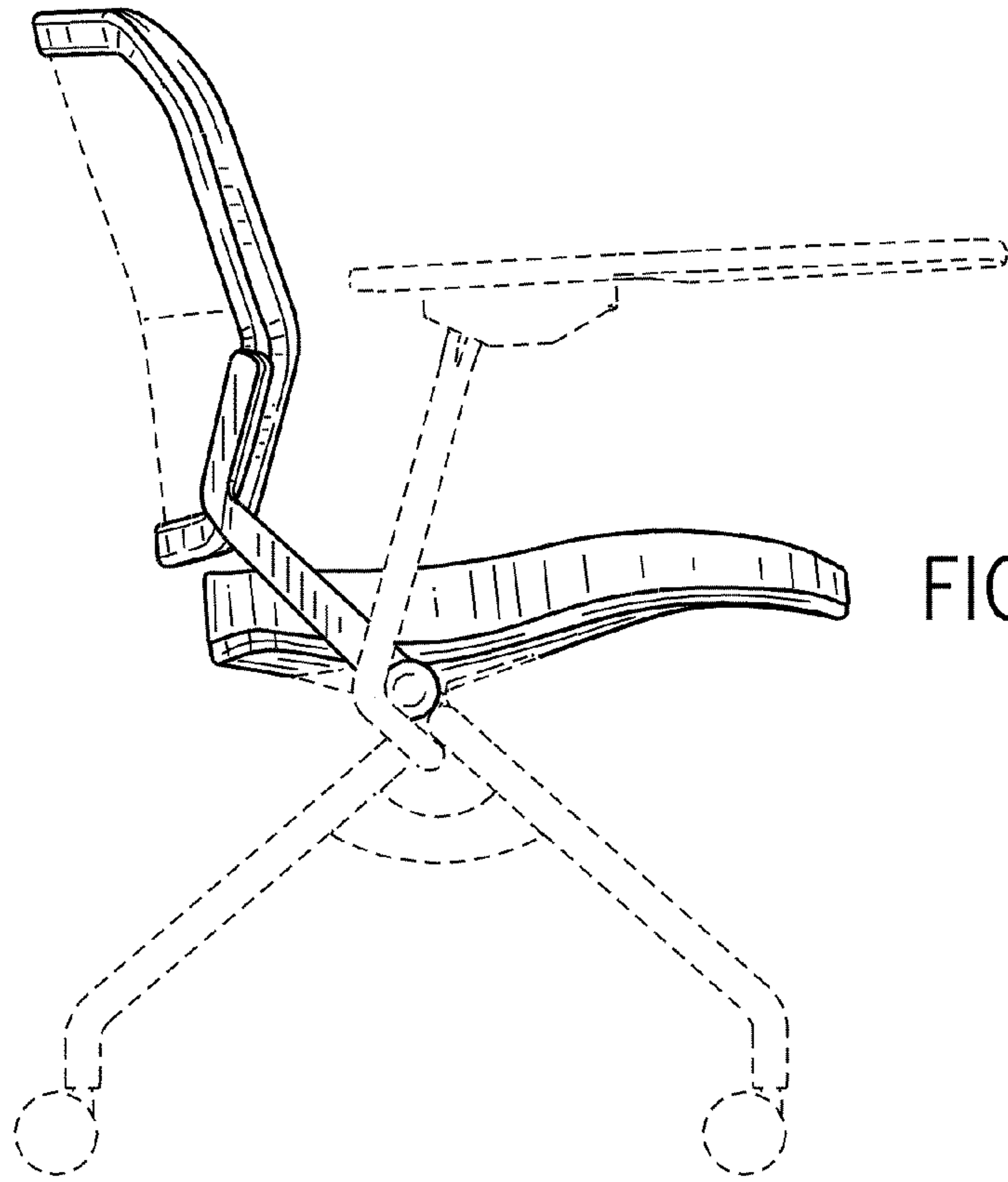


FIG. 32

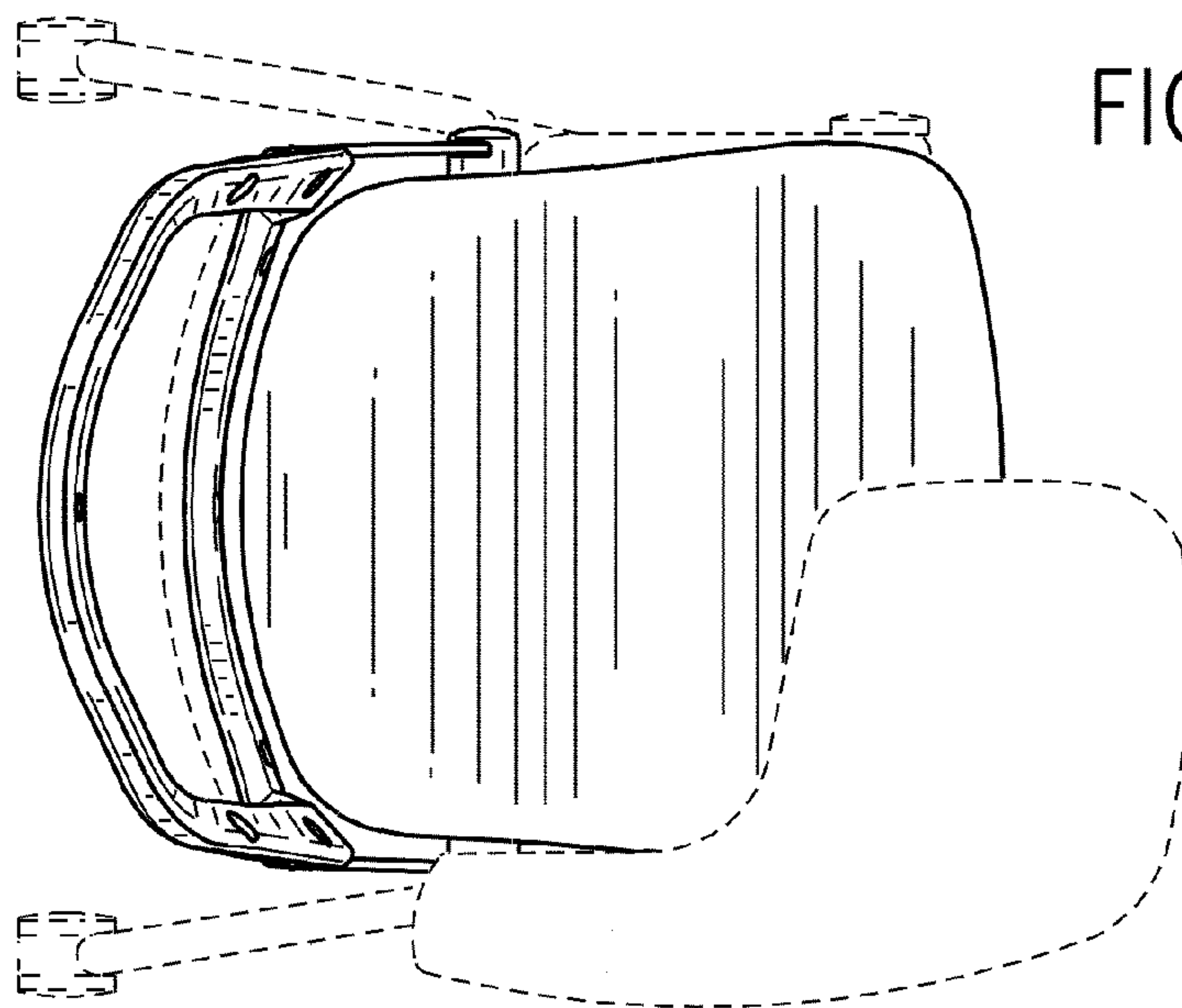


FIG. 33

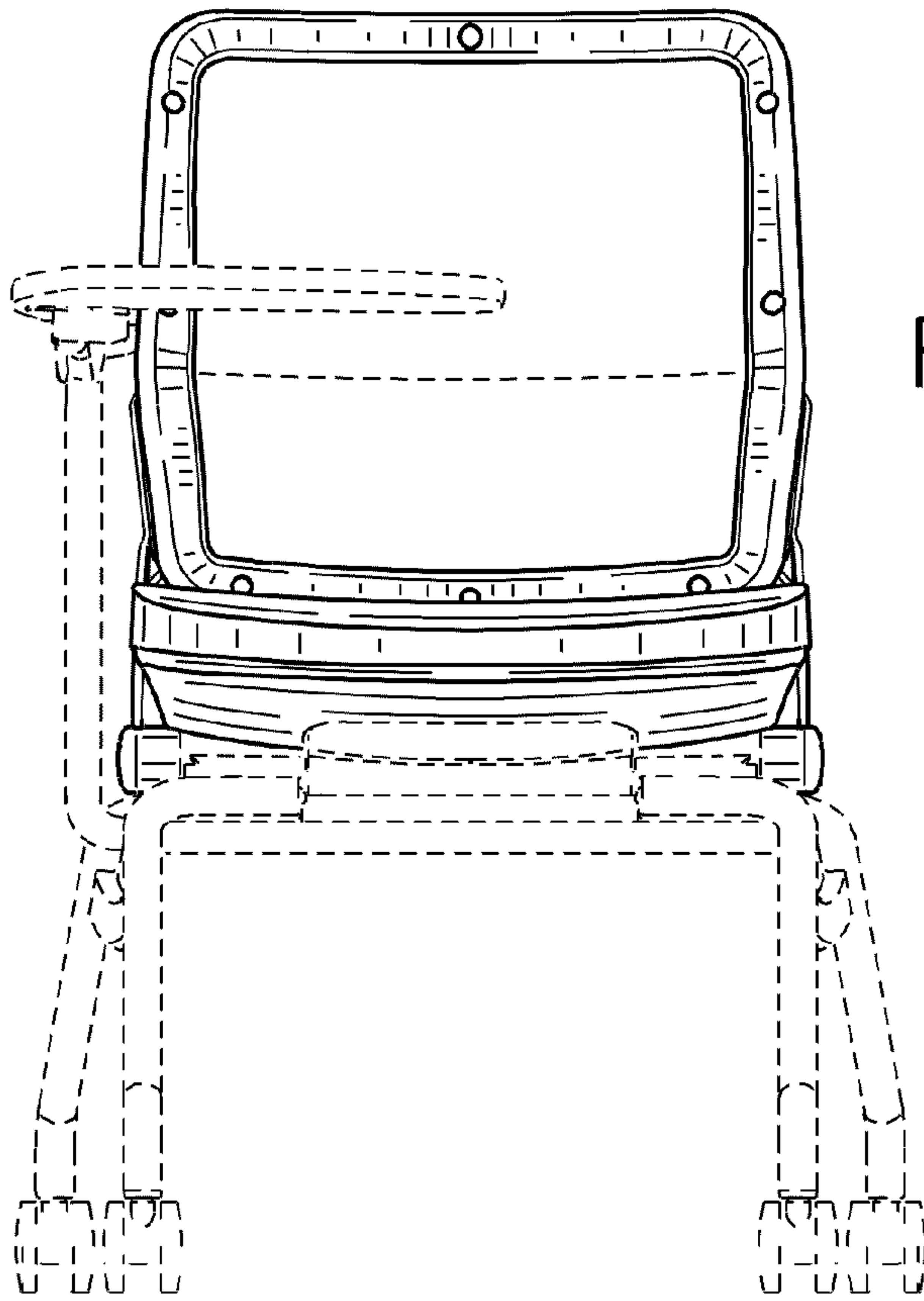


FIG. 34

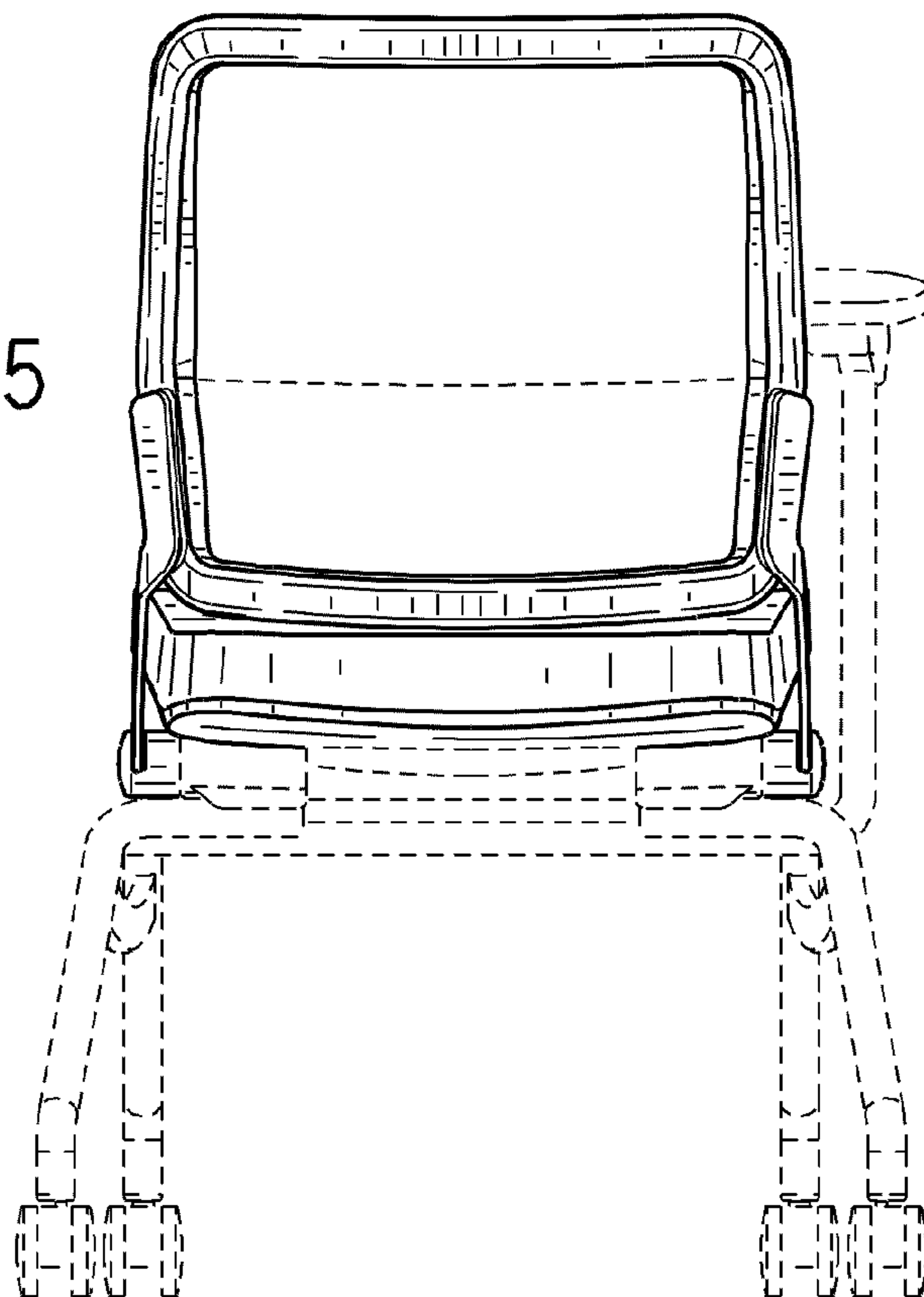


FIG. 35

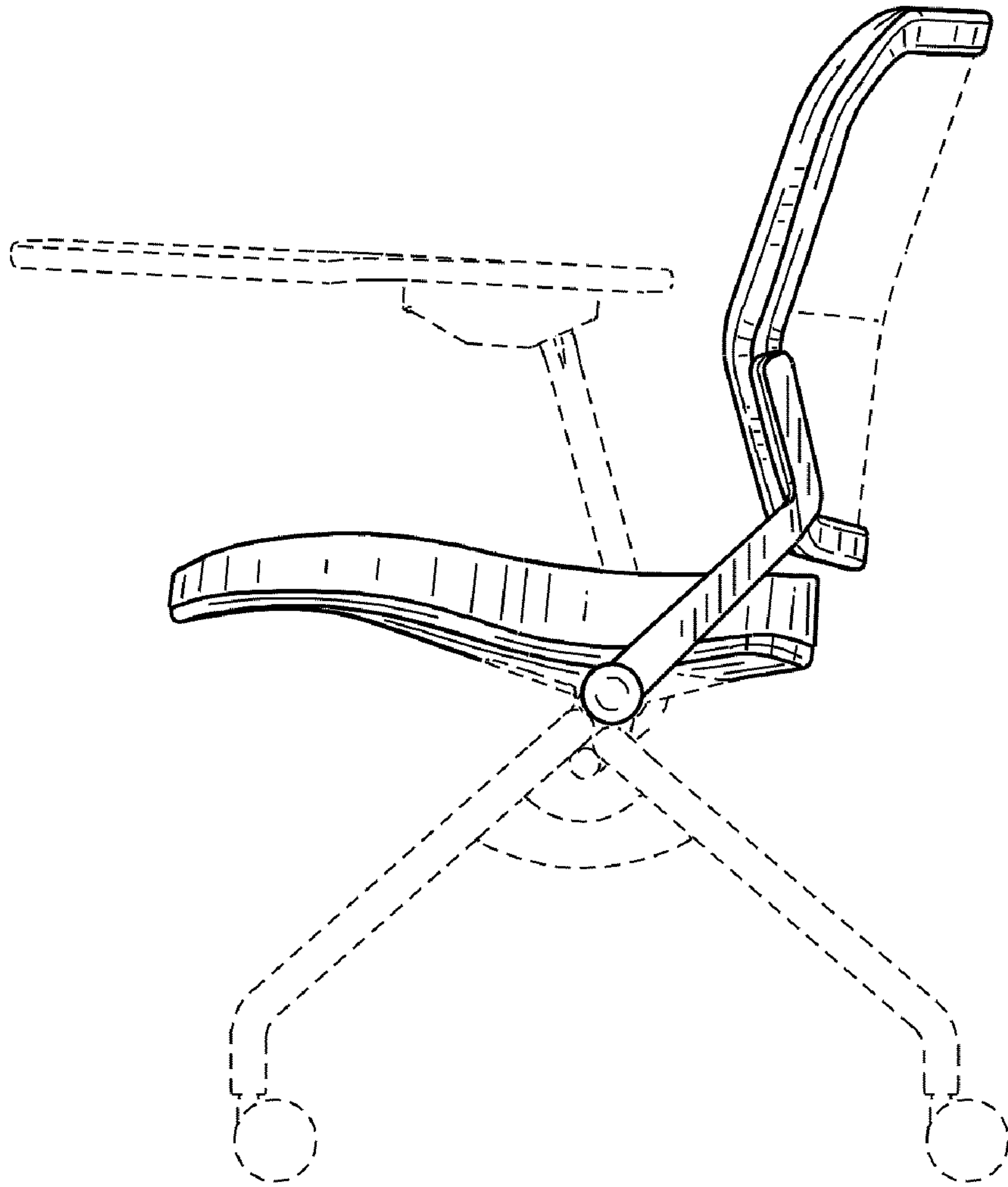


FIG. 36

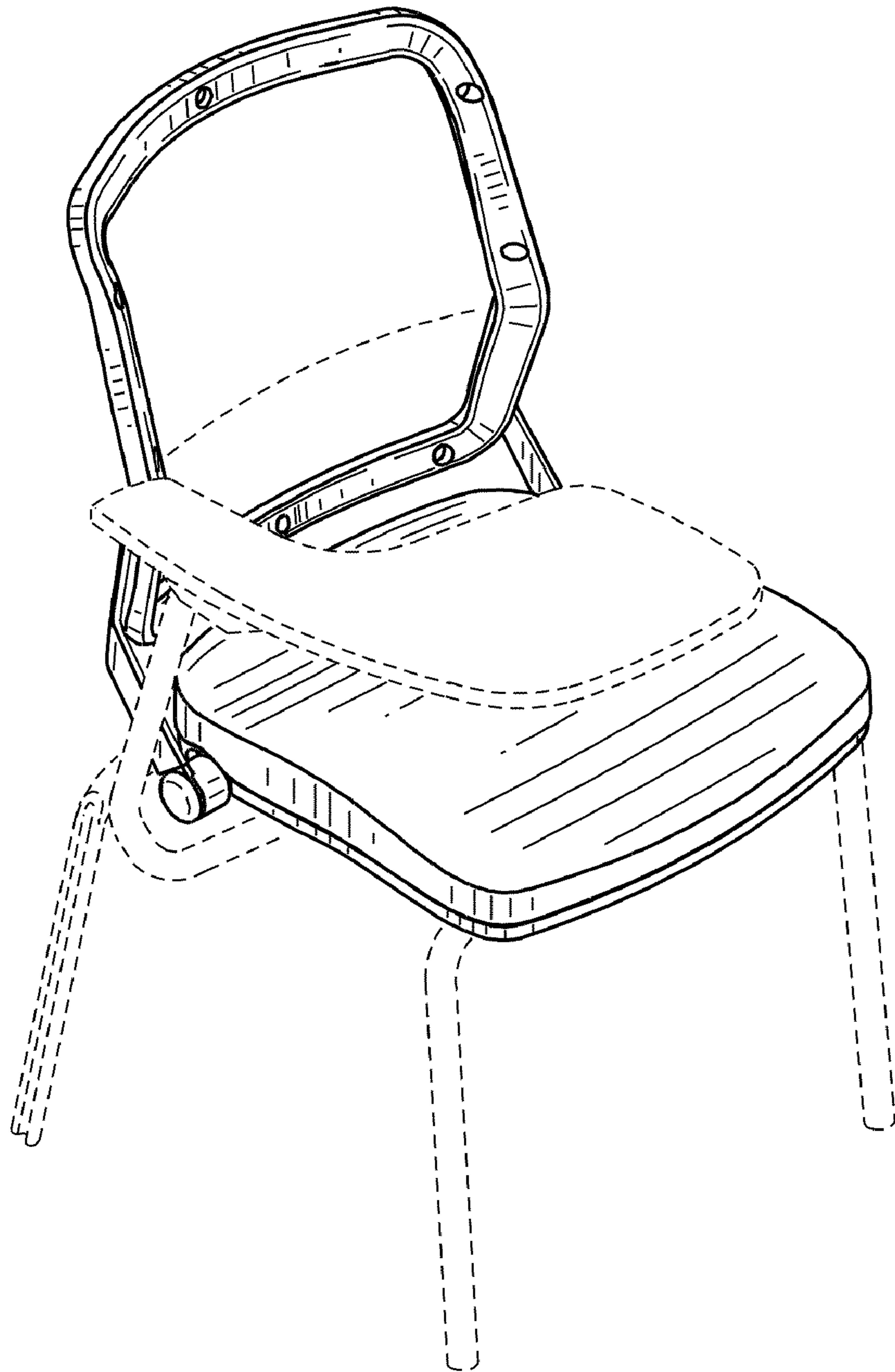


FIG. 37

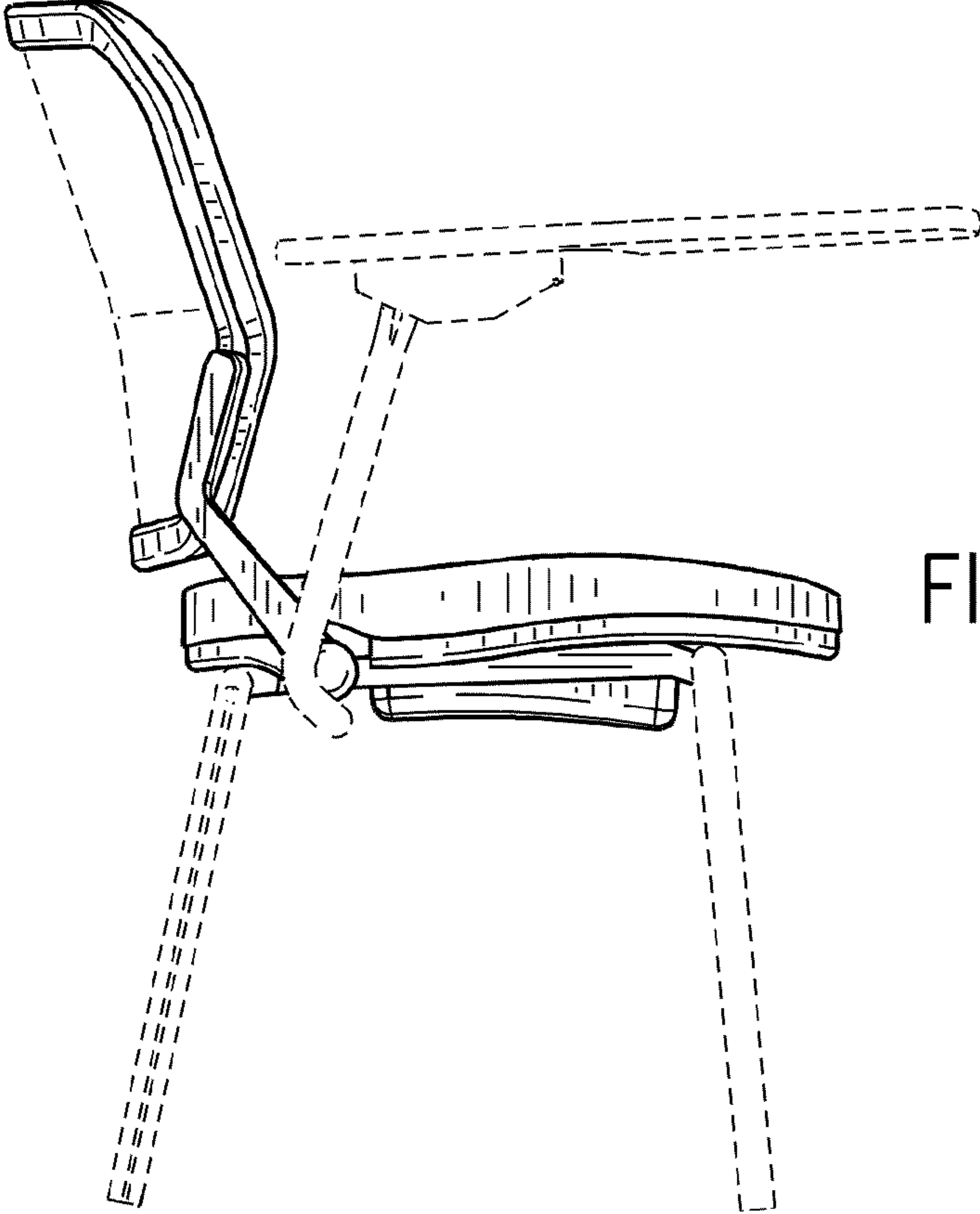


FIG. 38

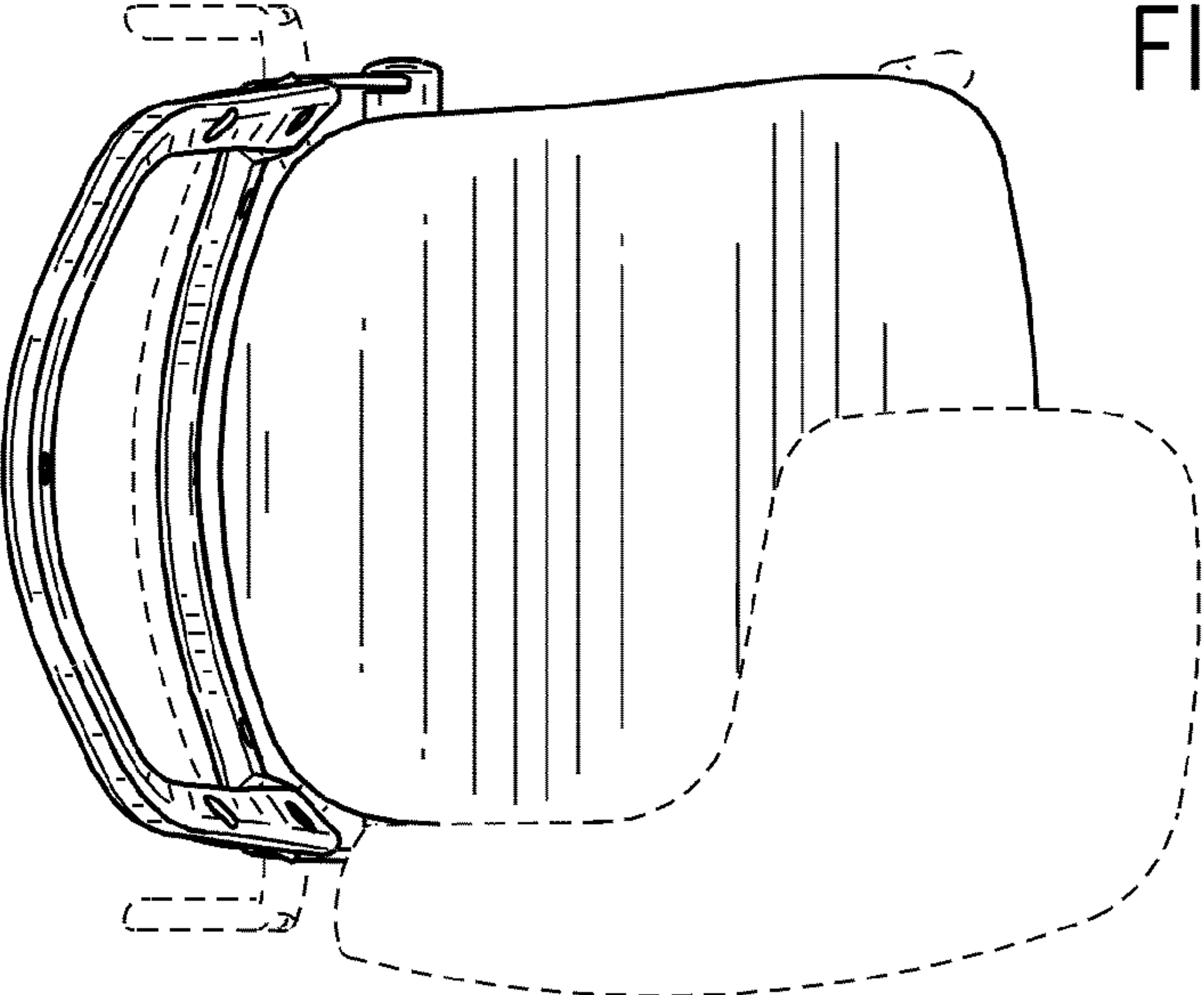


FIG. 39

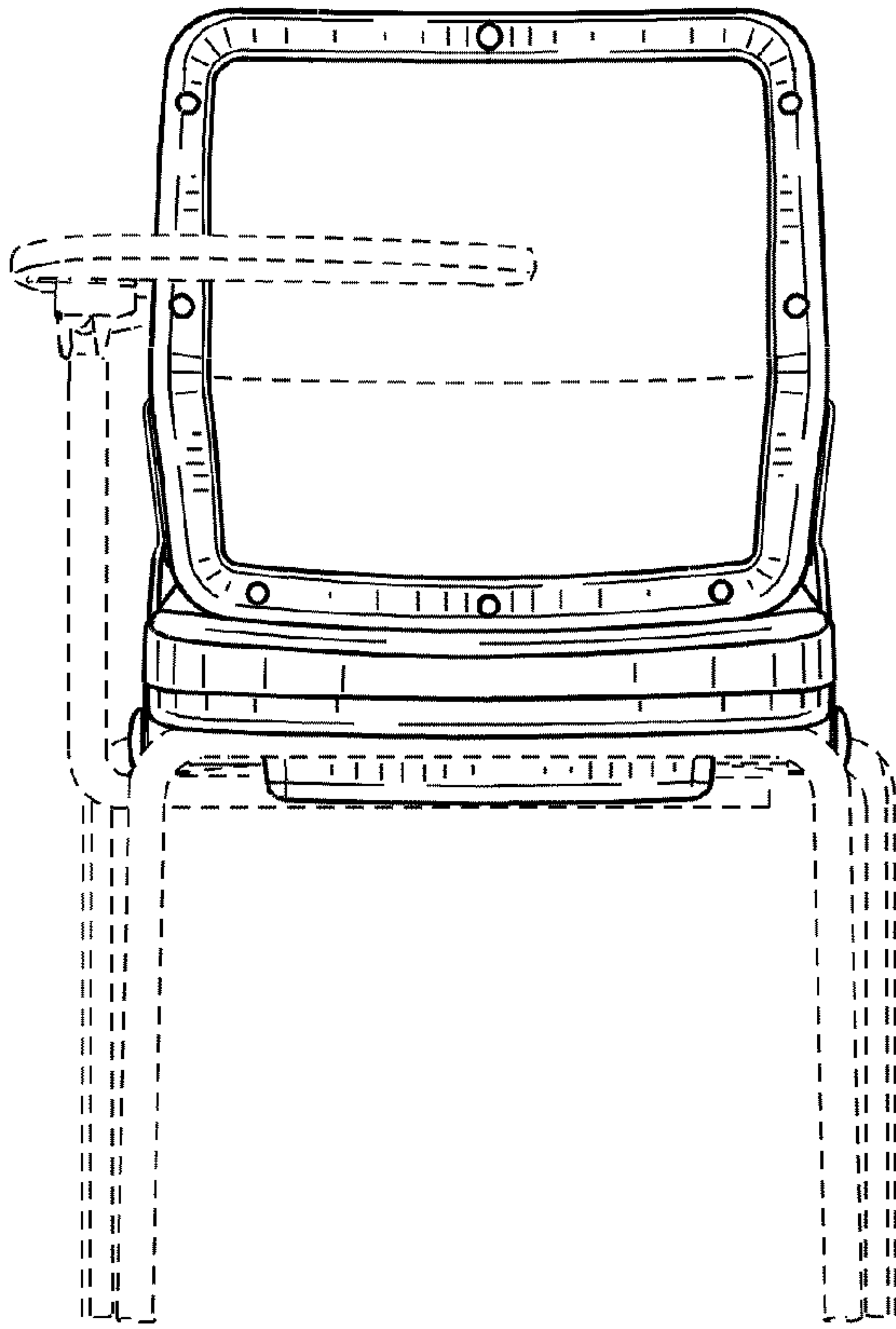


FIG. 40

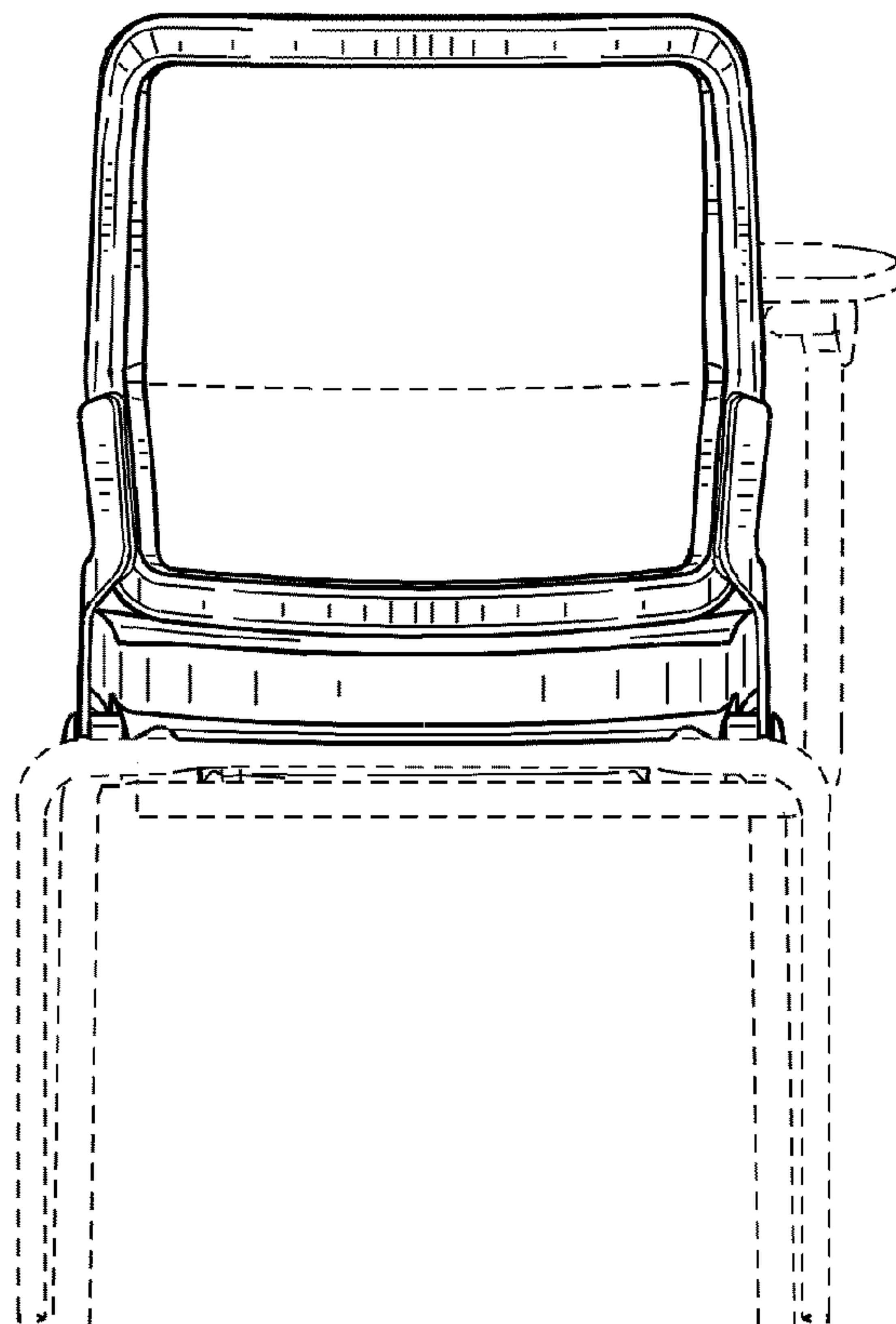


FIG. 41

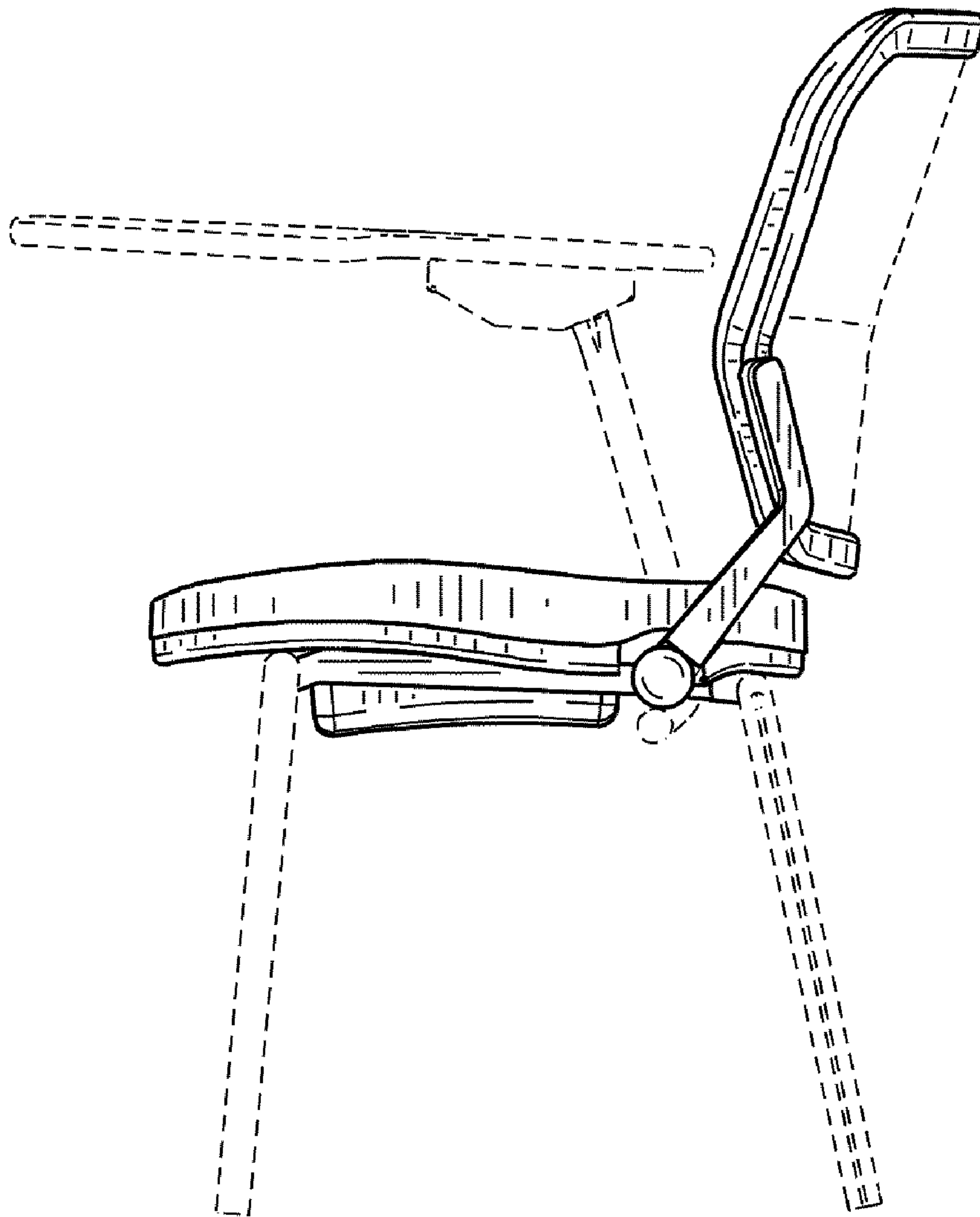


FIG. 42