



US00D648964S

(12) **United States Design Patent**
Brodbeck

(10) **Patent No.:** **US D648,964 S**

(45) **Date of Patent:** **** Nov. 22, 2011**

- (54) **SEATING UNIT FRAME**
 - (75) Inventor: **Stefan Brodbeck**, Munich (DE)
 - (73) Assignee: **Steelcase, Inc.**, Grand Rapids, MI (US)
 - (**) Term: **14 Years**
 - (21) Appl. No.: **29/361,700**
 - (22) Filed: **May 13, 2010**
 - (51) **LOC (9) Cl.** **06-01**
 - (52) **U.S. Cl.** **D6/500**
 - (58) **Field of Classification Search** D6/310,
D6/334-336, 348, 358-381, 500-502; 297/31,
297/239, 271.6, 11.2, 411.27, 411.28, 440.13,
297/440.15, 445.1, 446.1, 446.2, 452.13,
297/452.18
- See application file for complete search history.

- D309,384 S 7/1990 Buhk
- D309,385 S 7/1990 Buhk
- D309,386 S 7/1990 Buhk
- D309,535 S * 7/1990 Wilson D6/372
- D310,453 S 9/1990 Snodgrass
- D322,363 S 12/1991 Narita
- 5,114,212 A 5/1992 Verney et al.
- D327,988 S 7/1992 Citterio
- D328,531 S * 8/1992 Citterio D6/372
- D331,669 S 12/1992 Citterio
- D333,739 S 3/1993 Yeh
- D335,596 S 5/1993 Wogoman et al.
- D336,724 S 6/1993 Wilson

(Continued)

Primary Examiner — Ricky Pham
(74) *Attorney, Agent, or Firm* — McDermott Will & Emery LLP

(57) **CLAIM**
I claim the ornamental design for a seating unit frame, as shown and described.

(56) **References Cited**

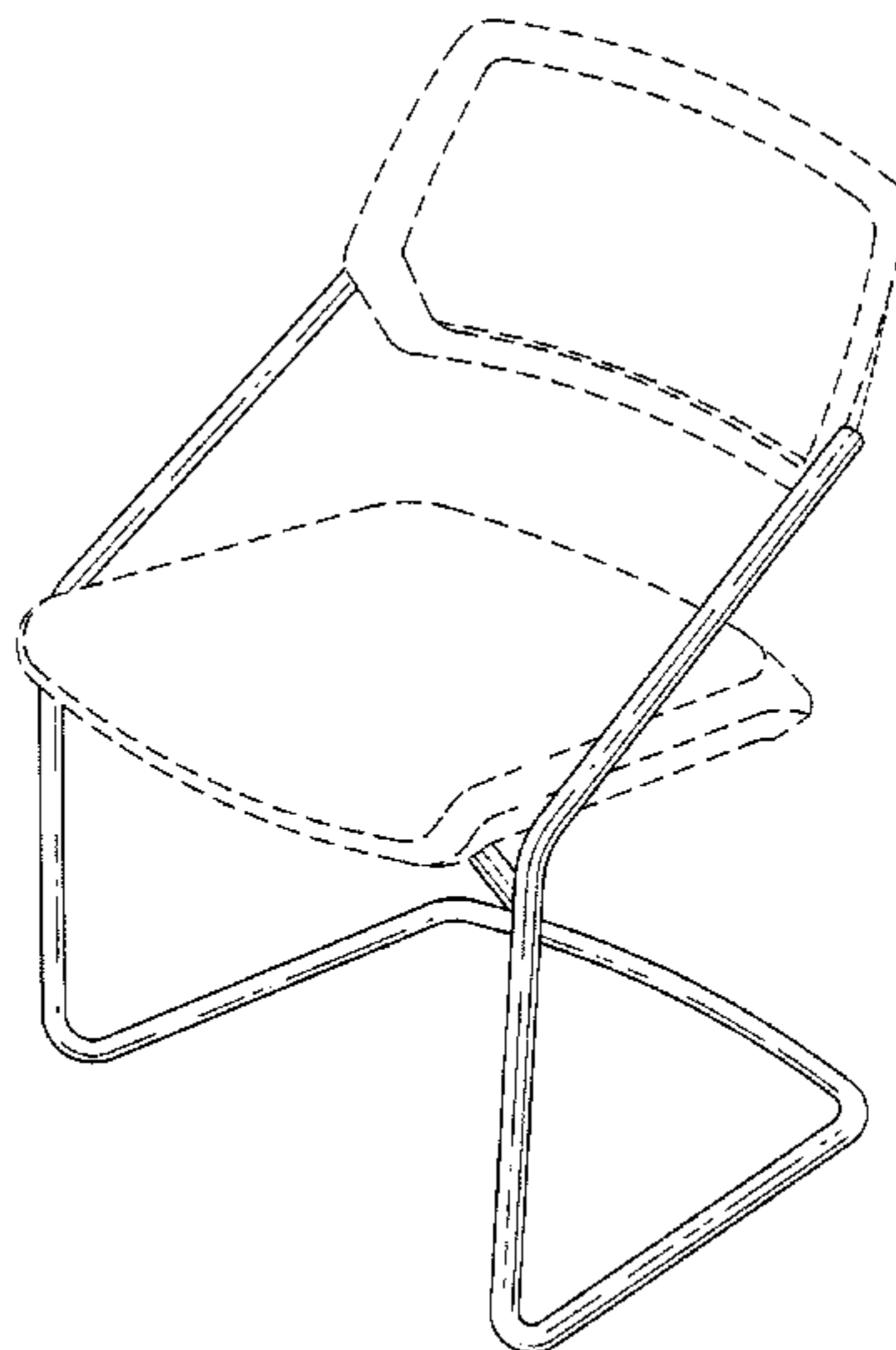
U.S. PATENT DOCUMENTS

- D102,999 S * 2/1937 Terker D6/369
- D114,768 S * 5/1939 Rogers D6/375
- D118,040 S * 12/1939 Gilkison D6/372
- D118,041 S * 12/1939 Gilkison D6/372
- D130,925 S * 12/1941 Roth D6/372
- D164,487 S * 9/1951 Goldberg D6/372
- D172,658 S * 7/1954 Budai D6/372
- D189,293 S 11/1960 Pettit
- D230,788 S 3/1974 Petersen
- 3,847,433 A 11/1974 Acton et al.
- D234,478 S * 3/1975 Koopke D6/372
- D244,812 S 6/1977 Buhk
- D250,559 S 12/1978 Petersen
- D262,502 S 1/1982 Wilson
- D272,967 S 3/1984 Umanoff
- D274,579 S 7/1984 Diffrient
- D274,675 S 7/1984 Diffrient
- D286,106 S * 10/1986 Franck et al. D6/372
- D301,810 S 6/1989 Snodgrass
- D305,388 S 1/1990 Mascheroni
- D307,836 S * 5/1990 Favaretto D6/372
- D309,382 S 7/1990 Buhk

DESCRIPTION

FIG. 1 is a perspective view of a seating unit frame according to the new design shown in its seating unit environment; FIG. 2 is a perspective view of a seating unit frame according to the new design; FIG. 3 is a front view of the seating unit frame shown in FIG. 2; FIG. 4 is a rear view of the seating unit frame shown in FIG. 2; FIG. 5 is a top view of the seating unit frame shown in FIG. 2; FIG. 6 is a bottom view of the seating unit frame shown in FIG. 2; and, FIG. 7 is a right side view of the seating unit frame shown in FIG. 2; the opposed left side view being a mirror image thereof. In the drawings, features in broken lines form no part of the claimed design.

1 Claim, 5 Drawing Sheets



US D648,964 S

Page 2

U.S. PATENT DOCUMENTS

D338,785 S	8/1993	Lange		D498,600 S	11/2004	Koch et al.	
D341,037 S	* 11/1993	Pomeroy et al.	D6/370	D498,601 S	11/2004	Olson et al.	
D344,196 S	2/1994	Snodgrass et al.		D498,940 S	11/2004	Getzel	
D344,418 S	2/1994	Favaretto		D502,331 S	3/2005	Socha, Jr. et al.	
D345,259 S	3/1994	Narita		D508,792 S	8/2005	Dorigo	
D346,501 S	5/1994	Llusca		D512,238 S	12/2005	Chen	
D348,787 S	7/1994	Zapf		D512,579 S	* 12/2005	Igarashi	D6/372
D349,196 S	8/1994	Lohmeyer		D512,846 S	12/2005	Goodworth	
D350,242 S	9/1994	Lohmeyer		D516,329 S	3/2006	Baeriswyl	
D350,653 S	9/1994	Citterio		D517,828 S	3/2006	Magnani et al.	
D351,070 S	10/1994	Scheper et al.		D522,266 S	6/2006	Bongaerts	
D351,743 S	10/1994	Locher		D526,145 S	8/2006	Kita	
D353,270 S	12/1994	Locher		D526,146 S	8/2006	Kita	
D355,081 S	2/1995	Scheper		D527,931 S	9/2006	Kita	
D355,303 S	2/1995	Scheper et al.		D528,812 S	* 9/2006	Giugiaro	D6/372
D357,821 S	5/1995	Tedesco		D541,067 S	4/2007	Lin	
D359,177 S	6/1995	Bartlmae		D543,374 S	5/2007	Huerlimann	
D360,539 S	7/1995	Cretcher		D544,234 S	6/2007	Olano	
D361,675 S	8/1995	Ruy		D546,089 S	7/2007	Ebenestelli	
D362,976 S	* 10/1995	Wingarter	D6/372	D547,963 S	8/2007	Olano	
D378,327 S	* 3/1997	Beaulieu	D6/372	D549,479 S	8/2007	Su	
D383,009 S	9/1997	Piretti		D550,977 S	9/2007	Igarashi	
D395,177 S	6/1998	Dammerman et al.		D552,856 S	10/2007	Chan	
D395,764 S	7/1998	Dozsa-Farkas		D553,377 S	10/2007	Chan	
D399,072 S	* 10/1998	Holbrook	D6/372	D555,924 S	11/2007	Igarashi	
D404,586 S	1/1999	Citterio		D555,928 S	11/2007	Pensi	
D409,409 S	5/1999	Muller		D558,480 S	1/2008	Olano Jauregui	
D411,928 S	7/1999	Ritch et al.		D563,698 S	3/2008	Petruccelli	
D414,953 S	10/1999	Goetz		D564,771 S	* 3/2008	Dauphin	D6/372
D420,523 S	* 2/2000	Stumpf et al.	D6/372	D569,644 S	5/2008	Kumazawa	
6,030,037 A	2/2000	Ritch et al.		D572,496 S	7/2008	Rizzi	
D426,970 S	6/2000	Kolberg		D572,927 S	7/2008	Bernett et al.	
6,070,937 A	6/2000	Ginat		D573,378 S	7/2008	Petruccelli	
D435,175 S	12/2000	Chu		D575,537 S	8/2008	Petruccelli	
D441,976 S	5/2001	Cramer		D575,541 S	8/2008	Hayes	
D449,461 S	10/2001	Cramer		D578,789 S	10/2008	Ciani et al.	
D449,462 S	10/2001	Muller		D579,225 S	10/2008	Citterio	
D449,938 S	11/2001	Vanderiet et al.		D579,226 S	10/2008	Pinaffo et al.	
D455,571 S	4/2002	Van De Riet et al.		D581,180 S	11/2008	Chi	
D456,163 S	4/2002	Englisch		7,452,035 B2	11/2008	Astle et al.	
D456,164 S	4/2002	Vanderiet et al.		D581,689 S	12/2008	Marini	
D457,006 S	5/2002	Ooyama		D582,693 S	12/2008	da Costa	
D467,445 S	12/2002	Saffell et al.		D585,658 S	2/2009	Dauphin	
D467,751 S	* 12/2002	Lepper et al.	D6/372	D589,276 S	3/2009	Dauphin	
D471,373 S	3/2003	Starzewski et al.		D590,616 S	4/2009	Benn	
D472,745 S	4/2003	Haney et al.		D590,617 S	4/2009	Benn	
D474,621 S	5/2003	Pesso		D591,968 S	5/2009	Pinaffo et al.	
D475,544 S	6/2003	Chadwick et al.		D606,769 S	* 12/2009	Ballendat	D6/372
D481,550 S	11/2003	Astle		D617,110 S	* 6/2010	Dorner	D6/372
D482,540 S	11/2003	Ashby		D622,073 S	* 8/2010	Igarashi	D6/372
D485,084 S	1/2004	Bales		D622,074 S	* 8/2010	Igarashi	D6/372
D489,911 S	5/2004	Muller		2008/0036267 A1	* 2/2008	Maier et al.	297/452.18

* cited by examiner

FIG. 1

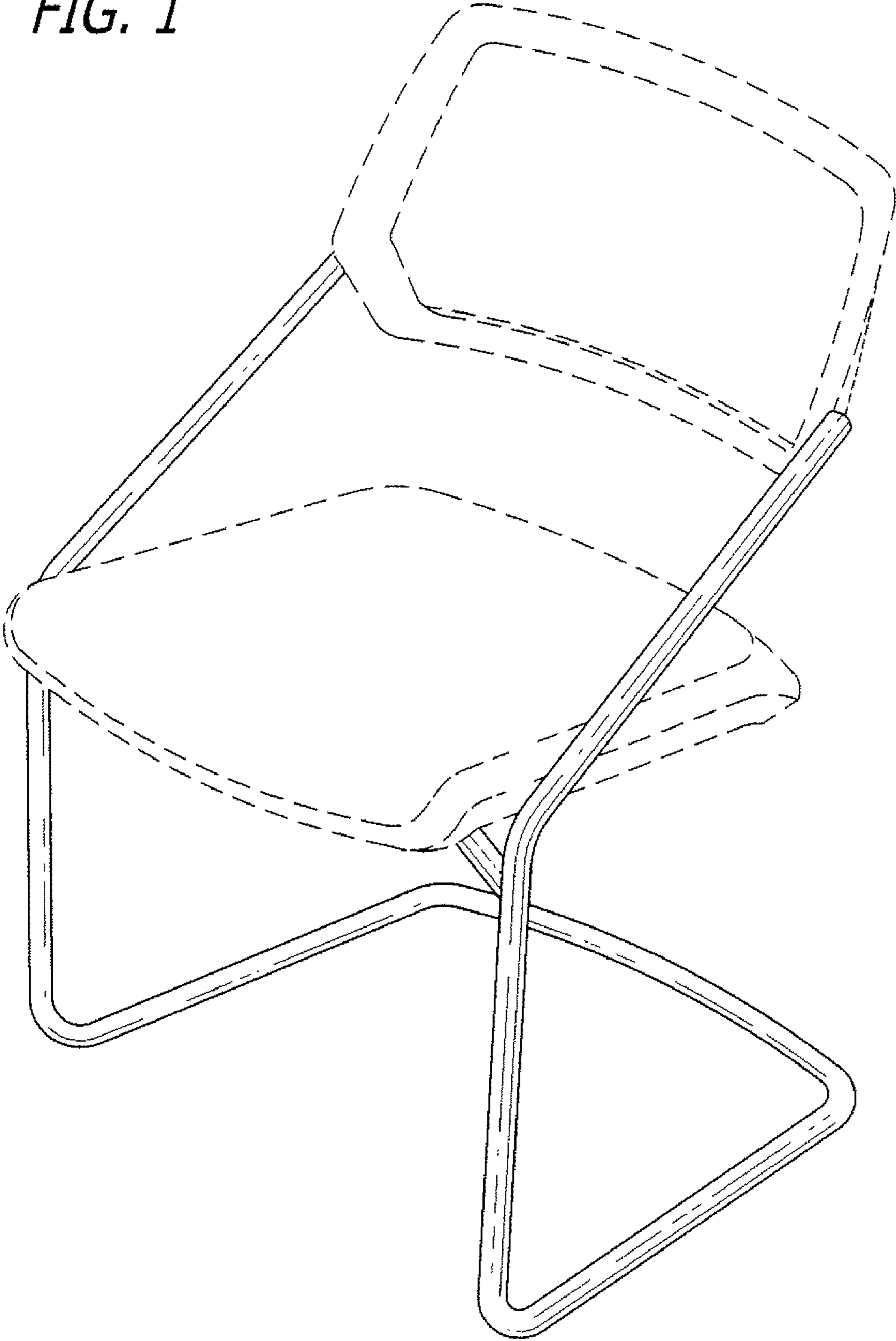
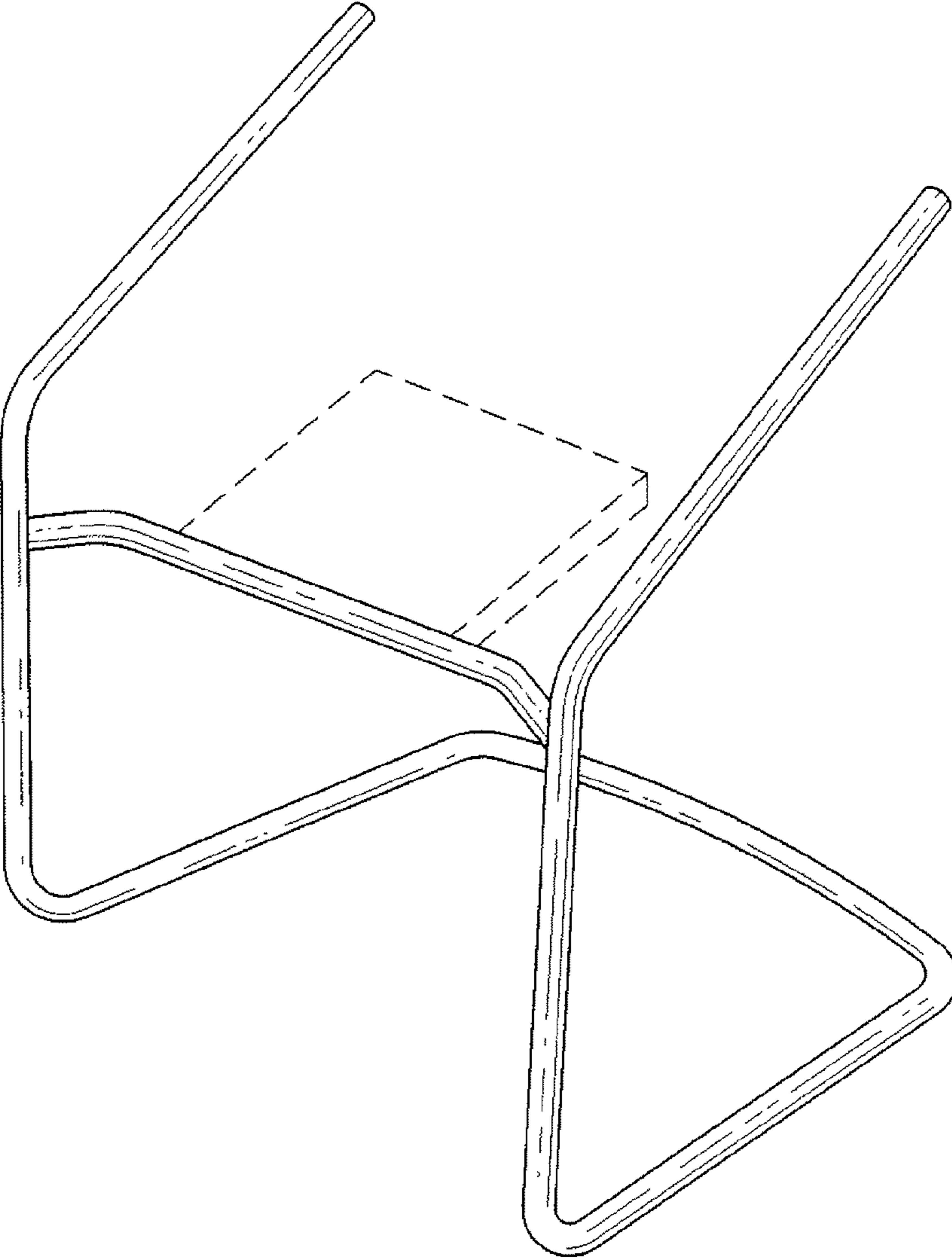


FIG. 2



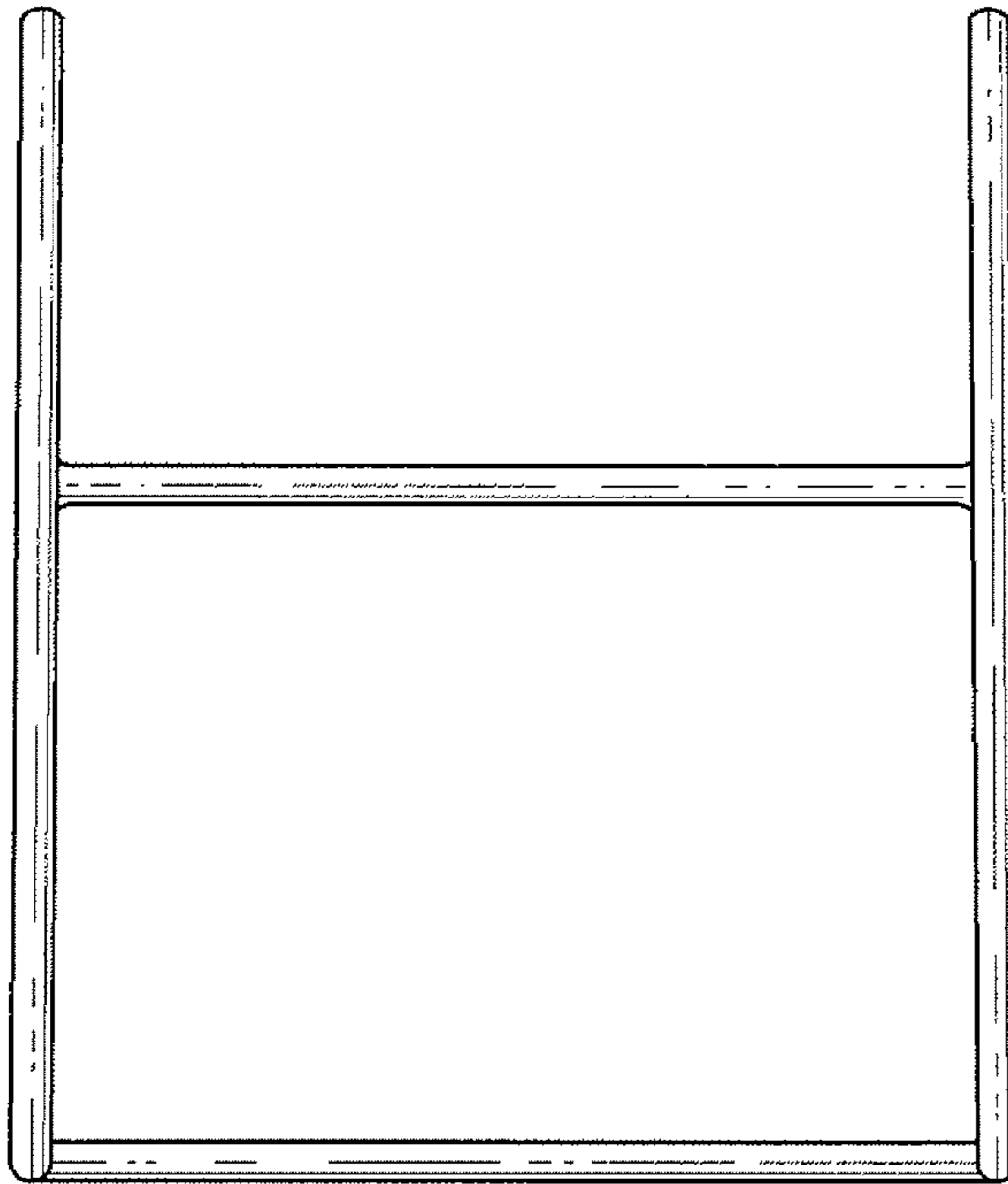


FIG. 3

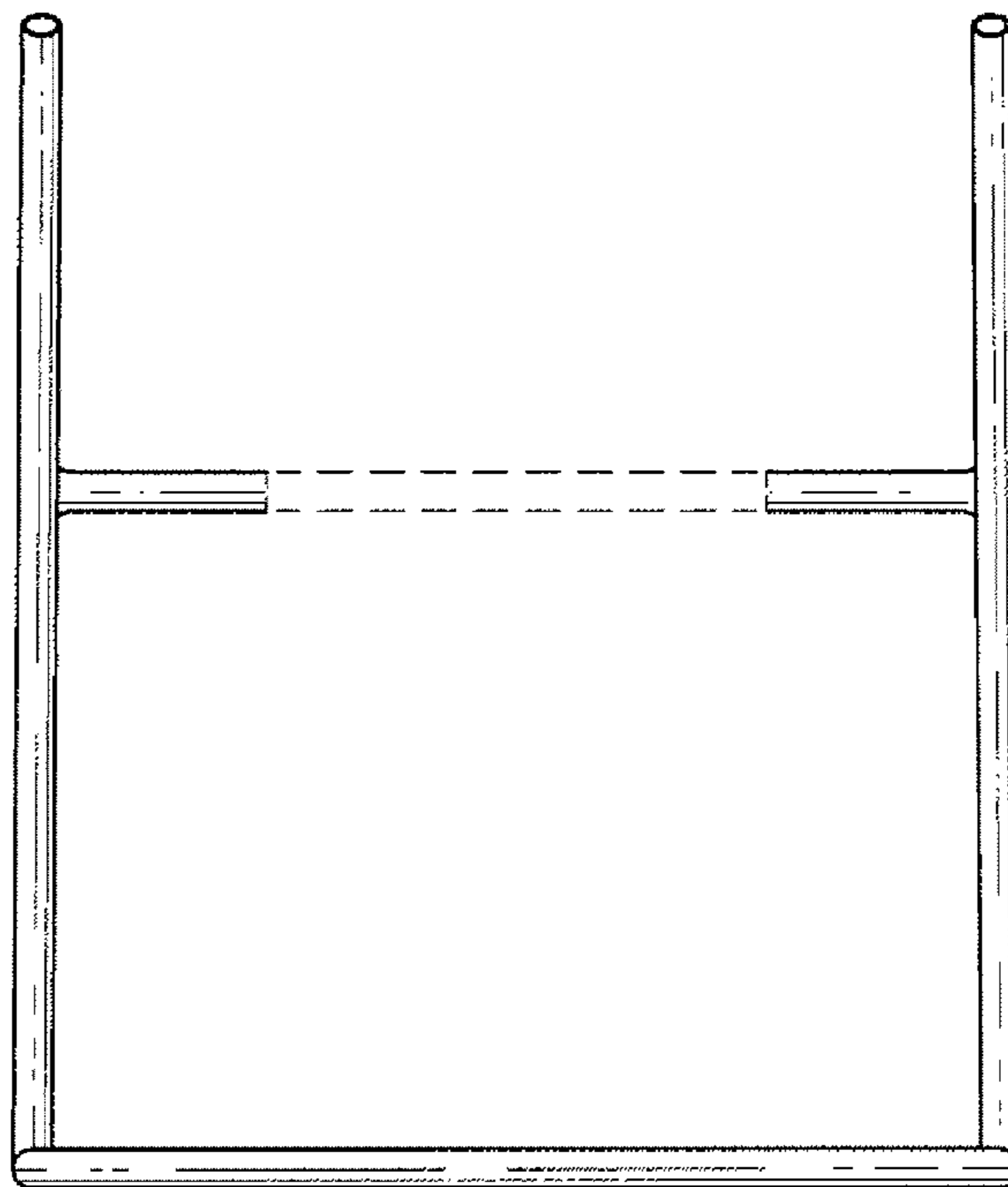


FIG. 4

FIG. 5

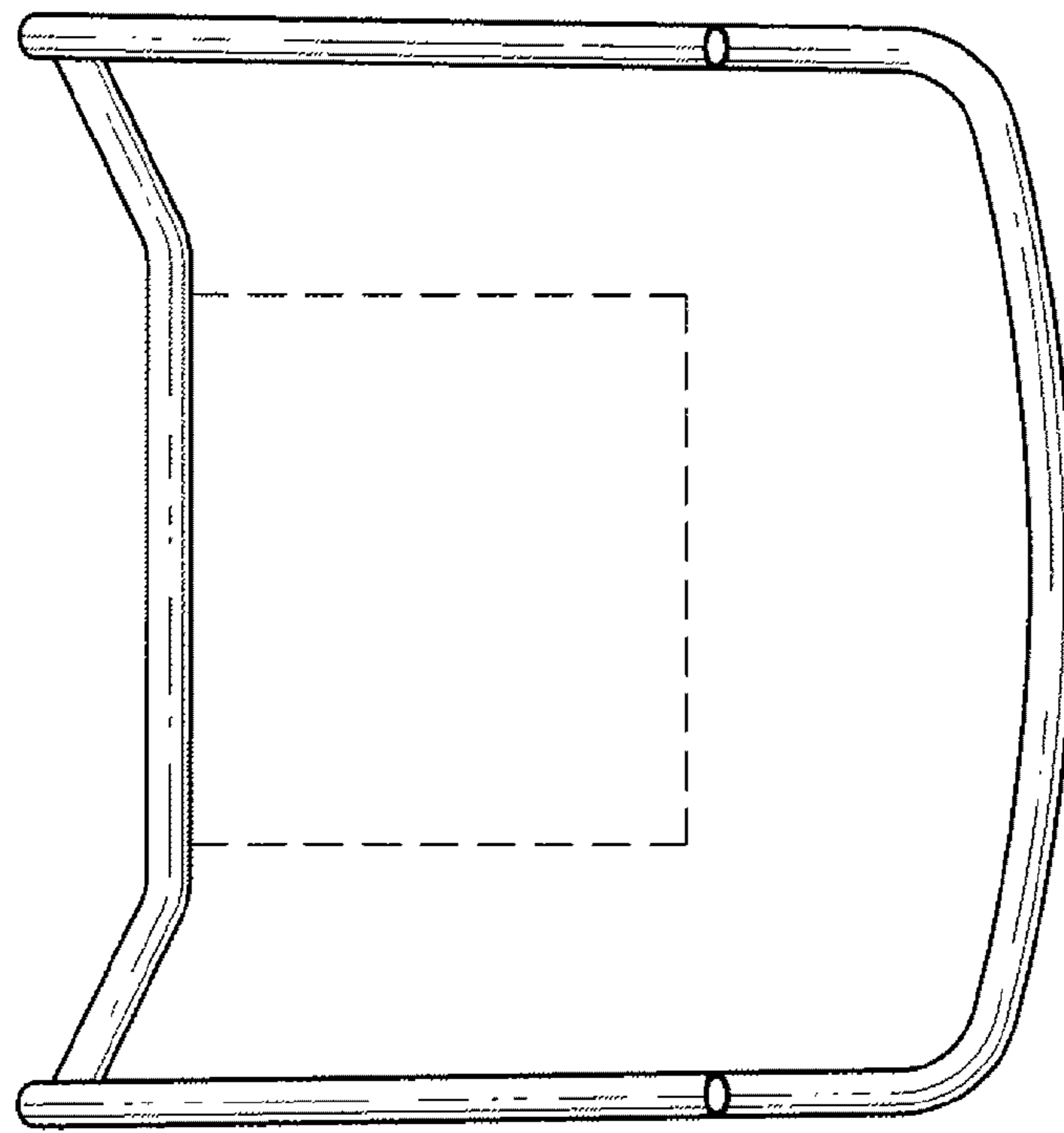


FIG. 6

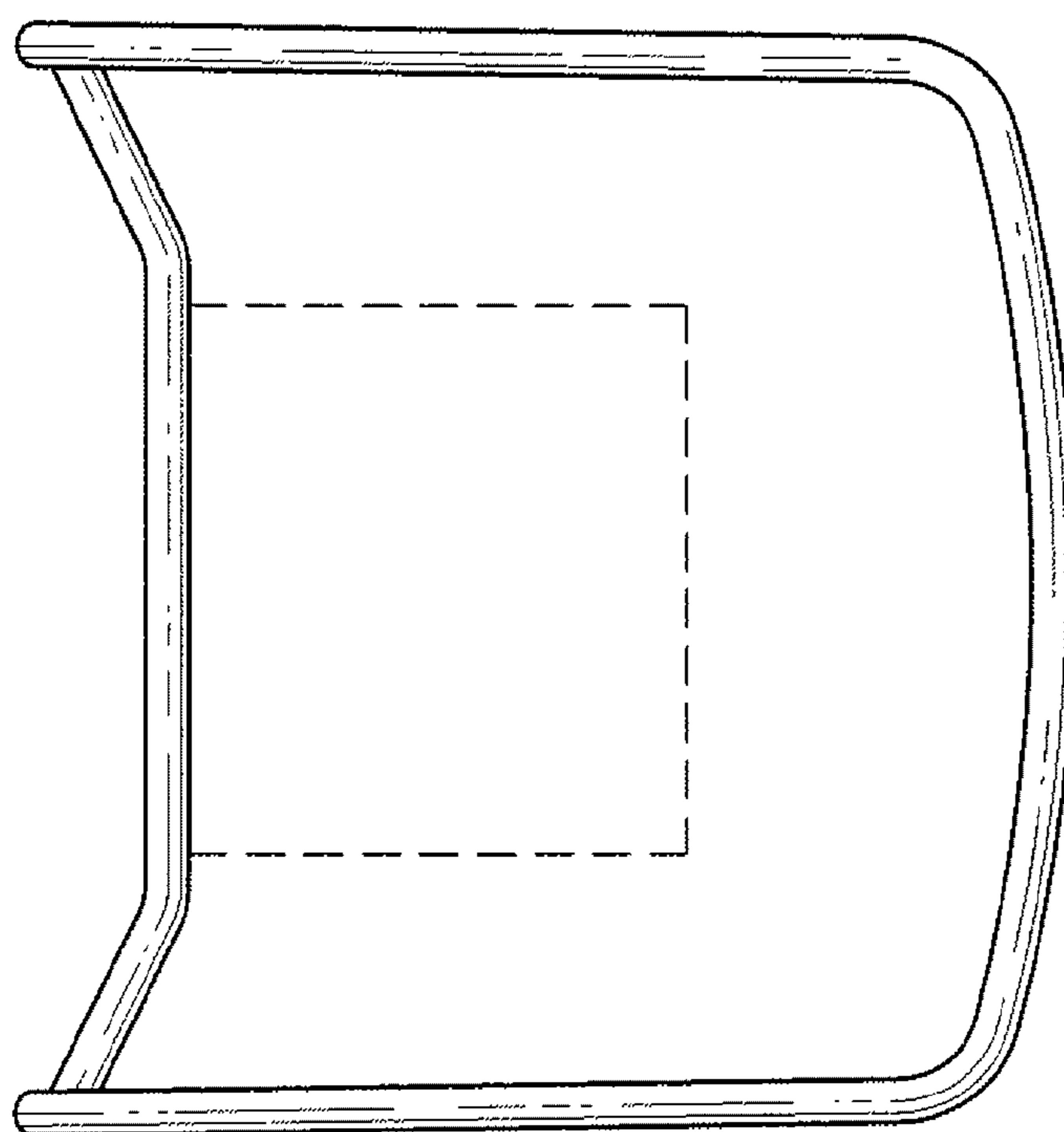


FIG. 7

