



US00D648963S

(12) **United States Design Patent**
Brodbeck

(10) **Patent No.:** **US D648,963 S**

(45) **Date of Patent:** **** Nov. 22, 2011**

- (54) **SEATING UNIT FRAME**
- (75) Inventor: **Stefan Brodbeck**, Munich (DE)
- (73) Assignee: **Steelcase, Inc.**, Grand Rapids, MI (US)
- (**) Term: **14 Years**
- (21) Appl. No.: **29/361,699**
- (22) Filed: **May 13, 2010**
- (51) **LOC (9) Cl.** **06-01**
- (52) **U.S. Cl.** **D6/500**
- (58) **Field of Classification Search** D6/310,
D6/334-336, 348, 358-381, 500-502; D23/309;
297/31, 239, 271.6, 11.2, 411.27, 411.28,
297/440.13, 440.15, 445.1, 446.1, 446.2,
297/452.13, 452.18
See application file for complete search history.

- D325,305 S * 4/1992 Sottsass et al. D6/379
- 5,114,212 A 5/1992 Verney et al.
- D327,988 S 7/1992 Citterio
- D331,669 S 12/1992 Citterio
- D333,739 S 3/1993 Yeh
- D333,750 S * 3/1993 Hess D6/500
- D334,298 S * 3/1993 Panteloucos D6/379
- D335,596 S 5/1993 Wogoman et al.
- D336,724 S 6/1993 Wilson
- D338,785 S 8/1993 Lange
- D344,196 S 2/1994 Snodgrass et al.
- D344,418 S 2/1994 Favaretto
- D345,259 S 3/1994 Narita

(Continued)

Primary Examiner — Ricky Pham
(74) *Attorney, Agent, or Firm* — McDermott Will & Emery LLP

(57) **CLAIM**
I claim the ornamental design for a seating unit frame, as shown and described.

(56) **References Cited**

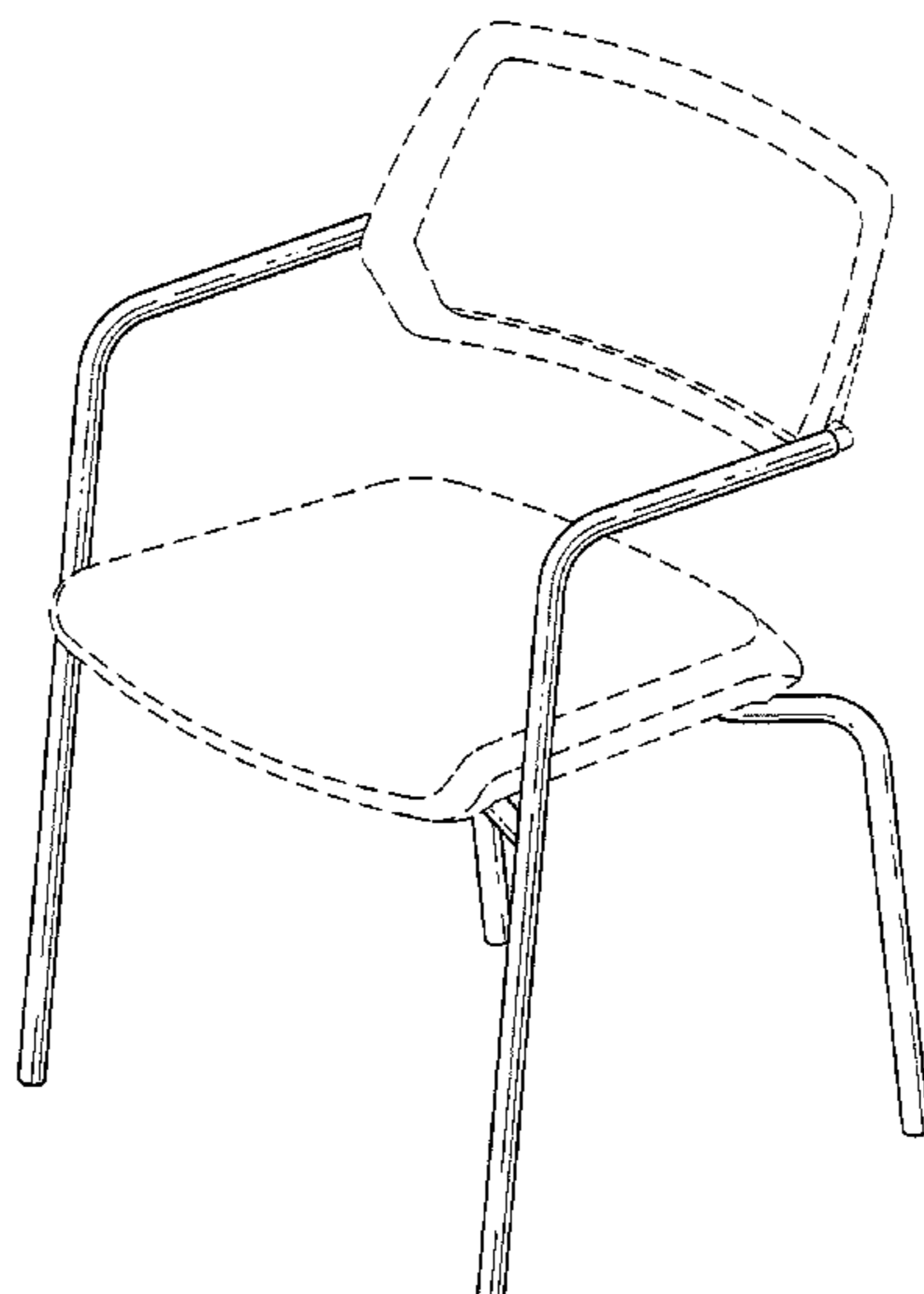
U.S. PATENT DOCUMENTS

- D95,745 S * 5/1935 Hoffmann D6/379
- D109,433 S * 4/1938 Bunder D6/370
- D179,051 S * 10/1956 Ashbouti D6/379
- D189,293 S 11/1960 Petitt
- D230,788 S 3/1974 Petersen
- 3,847,433 A 11/1974 Acton et al.
- D244,812 S 6/1977 Buhk
- D250,559 S 12/1978 Petersen
- D262,502 S 1/1982 Wilson
- D272,967 S 3/1984 Umanoff
- D274,579 S 7/1984 Diffrient
- D274,675 S 7/1984 Diffrient
- D300,189 S * 3/1989 Frinier D6/379
- D301,810 S 6/1989 Snodgrass
- D305,388 S 1/1990 Mascheroni
- D309,382 S 7/1990 Buhk
- D309,384 S 7/1990 Buhk
- D309,385 S 7/1990 Buhk
- D309,386 S 7/1990 Buhk
- D310,453 S 9/1990 Snodgrass
- D315,259 S * 3/1991 Hensel et al. D6/380
- D322,363 S 12/1991 Narita

DESCRIPTION

FIG. 1 is a perspective view of a seating unit frame according to the new design shown in its seating unit environment; FIG. 2 is a perspective view of a seating unit frame according to the new design; FIG. 3 is a front view of the seating unit frame shown in FIG. 2; FIG. 4 is a rear view of the seating unit frame shown in FIG. 2; FIG. 5 is a top view of the seating unit frame shown in FIG. 2; FIG. 6 is a bottom view of the seating unit frame shown in FIG. 2; and, FIG. 7 is a right side view of the seating unit frame shown in FIG. 2; the opposed left side view being a mirror image thereof. In the drawings, features in broken lines form no part of the claimed design.

1 Claim, 5 Drawing Sheets



US D648,963 S

U.S. PATENT DOCUMENTS

D346,501 S	5/1994	Llusca	
D348,787 S	7/1994	Zapf	
D349,196 S	8/1994	Lohmeyer	
D350,242 S	9/1994	Lohmeyer	
D350,653 S	9/1994	Citterio	
D351,070 S	10/1994	Scheper et al.	
D351,743 S	10/1994	Locher	
D353,270 S	12/1994	Locher	
D353,498 S	* 12/1994	Cox	D6/380
D355,081 S	2/1995	Scheper	
D355,303 S	2/1995	Scheper et al.	
D355,308 S	* 2/1995	Marini	D6/379
D357,821 S	5/1995	Tedesco	
D359,177 S	6/1995	Bartlmae	
D360,539 S	7/1995	Cretcher	
D361,675 S	8/1995	Ruy	
D364,973 S	* 12/1995	de Reuver	D6/375
D383,009 S	9/1997	Piretti	
D395,177 S	6/1998	Dammerman et al.	
D395,764 S	7/1998	Dozsa-Farkas	
D404,586 S	1/1999	Citterio	
D409,409 S	5/1999	Muller	
D411,928 S	7/1999	Ritch et al.	
D414,953 S	10/1999	Goetz	
6,030,037 A	2/2000	Ritch et al.	
D426,970 S	6/2000	Kolberg	
6,070,937 A	6/2000	Ginat	
D435,175 S	12/2000	Chu	
D441,976 S	5/2001	Cramer	
D449,461 S	10/2001	Cramer	
D449,462 S	10/2001	Muller	
D449,938 S	11/2001	Vanderiet et al.	
D455,571 S	4/2002	Van De Riet et al.	
D456,163 S	4/2002	Englisch	
D456,164 S	4/2002	Vanderiet et al.	
D457,006 S	5/2002	Ooyama	
D457,340 S	* 5/2002	Muller	D6/370
D464,494 S	* 10/2002	Gasca Burges	D6/374
D467,445 S	12/2002	Saffell et al.	
D471,373 S	3/2003	Starzewski et al.	
D472,745 S	4/2003	Haney et al.	
D474,621 S	5/2003	Pesso	
D474,904 S	* 5/2003	Ciabatti	D6/370
D475,544 S	6/2003	Chadwick et al.	
D481,550 S	11/2003	Astle	
D482,540 S	11/2003	Ashby	
D485,084 S	1/2004	Bales	
D489,911 S	5/2004	Muller	
D498,600 S	11/2004	Koch et al.	
D498,601 S	11/2004	Olson et al.	
D498,940 S	11/2004	Getzel	
D502,331 S	3/2005	Socha, Jr. et al.	
D508,792 S	8/2005	Dorigo	
D512,238 S	12/2005	Chen	
D512,846 S	12/2005	Goodworth	
D514,838 S	* 2/2006	Igarashi	D6/379
D516,329 S	3/2006	Baeriswyl	
D517,824 S	* 3/2006	Pensi	D6/379
D517,828 S	3/2006	Magnani et al.	
D522,266 S	6/2006	Bongaerts	
D526,145 S	8/2006	Kita	
D526,146 S	8/2006	Kita	
D527,931 S	9/2006	Kita	
D541,067 S	4/2007	Lin	
D543,374 S	5/2007	Huerlimann	
D544,234 S	6/2007	Olano	
D546,089 S	7/2007	Ebenestelli	
D547,963 S	8/2007	Olano	
D549,479 S	8/2007	Su	
D550,977 S	9/2007	Igarashi	
D552,856 S	10/2007	Chan	
D553,377 S	10/2007	Chan	
D555,924 S	11/2007	Igarashi	
D555,928 S	11/2007	Pensi	
D557,031 S	* 12/2007	Marin	D6/376
D558,477 S	* 1/2008	Nardi	D6/369
D558,480 S	1/2008	Olano Juaregui	
D561,500 S	* 2/2008	Kane et al.	D6/500
D563,698 S	3/2008	Petrucelli	
D569,644 S	5/2008	Kumazawa	
D572,496 S	7/2008	Rizzi	
D572,927 S	7/2008	Bernett et al.	
D573,378 S	7/2008	Petrucelli	
D574,161 S	* 8/2008	Sneujink et al.	D6/379
D575,537 S	8/2008	Petrucelli	
D575,541 S	8/2008	Hayes	
D578,789 S	10/2008	Ciani et al.	
D579,225 S	10/2008	Citterio	
D579,226 S	10/2008	Pinaffo et al.	
D581,180 S	11/2008	Chi	
7,452,035 B2	11/2008	Astle et al.	
D581,689 S	12/2008	Marini	
D582,693 S	12/2008	da Costa	
D585,658 S	2/2009	Dauphin	
D589,276 S	3/2009	Dauphin	
D590,616 S	4/2009	Benn	
D590,617 S	4/2009	Benn	
D591,526 S	* 5/2009	Breen	D6/379
D591,968 S	5/2009	Pinaffo et al.	
D594,242 S	* 6/2009	Sweeney	D6/376
D598,669 S	* 8/2009	Schweikarth et al.	D6/379
D625,793 S	* 10/2010	Pereira Del Arroyo	D23/309
D633,607 S	* 3/2011	Pereira Del Arroyo	D23/309
D640,067 S	* 6/2011	Weimer et al.	D6/379

* cited by examiner

FIG. 1

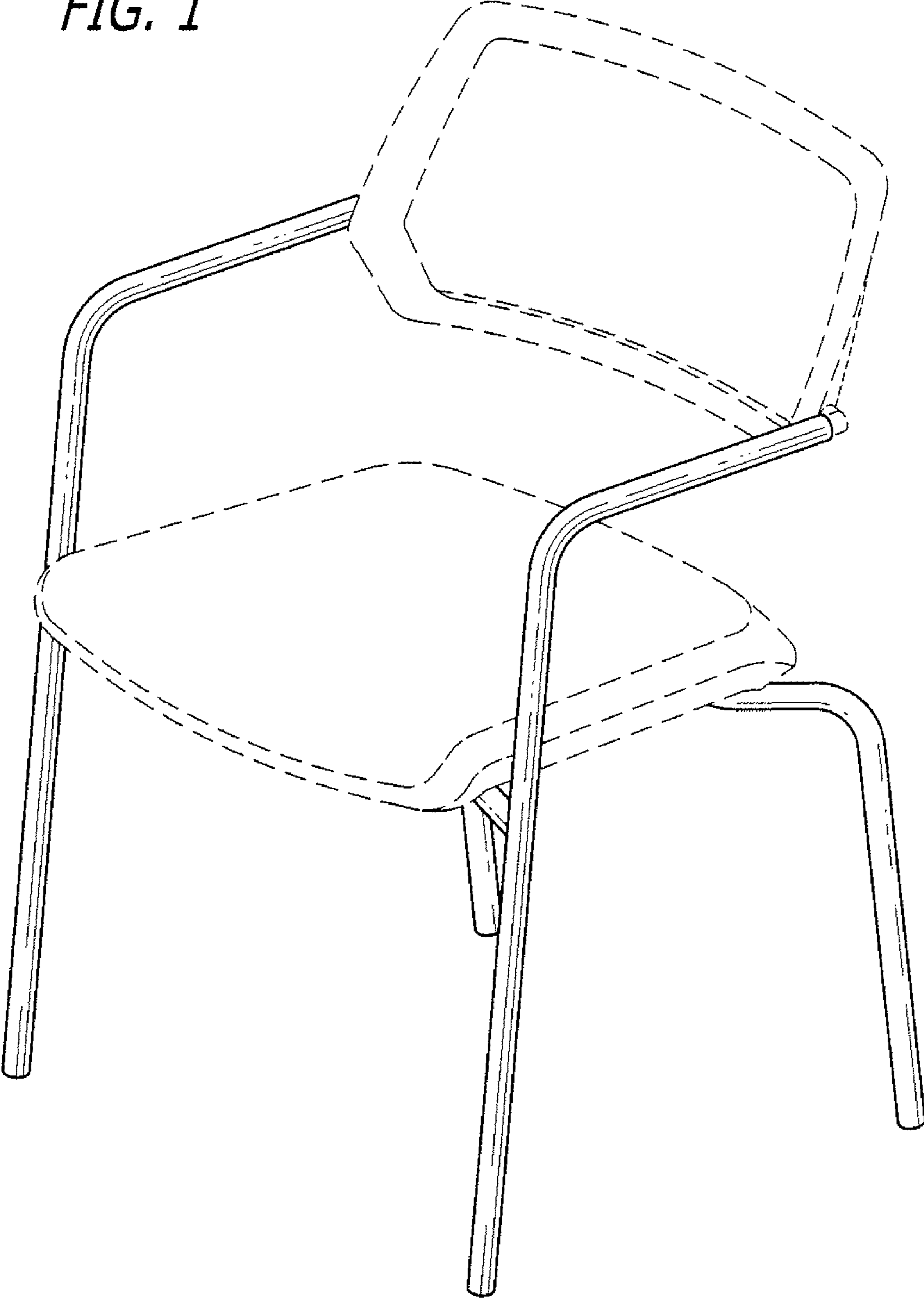
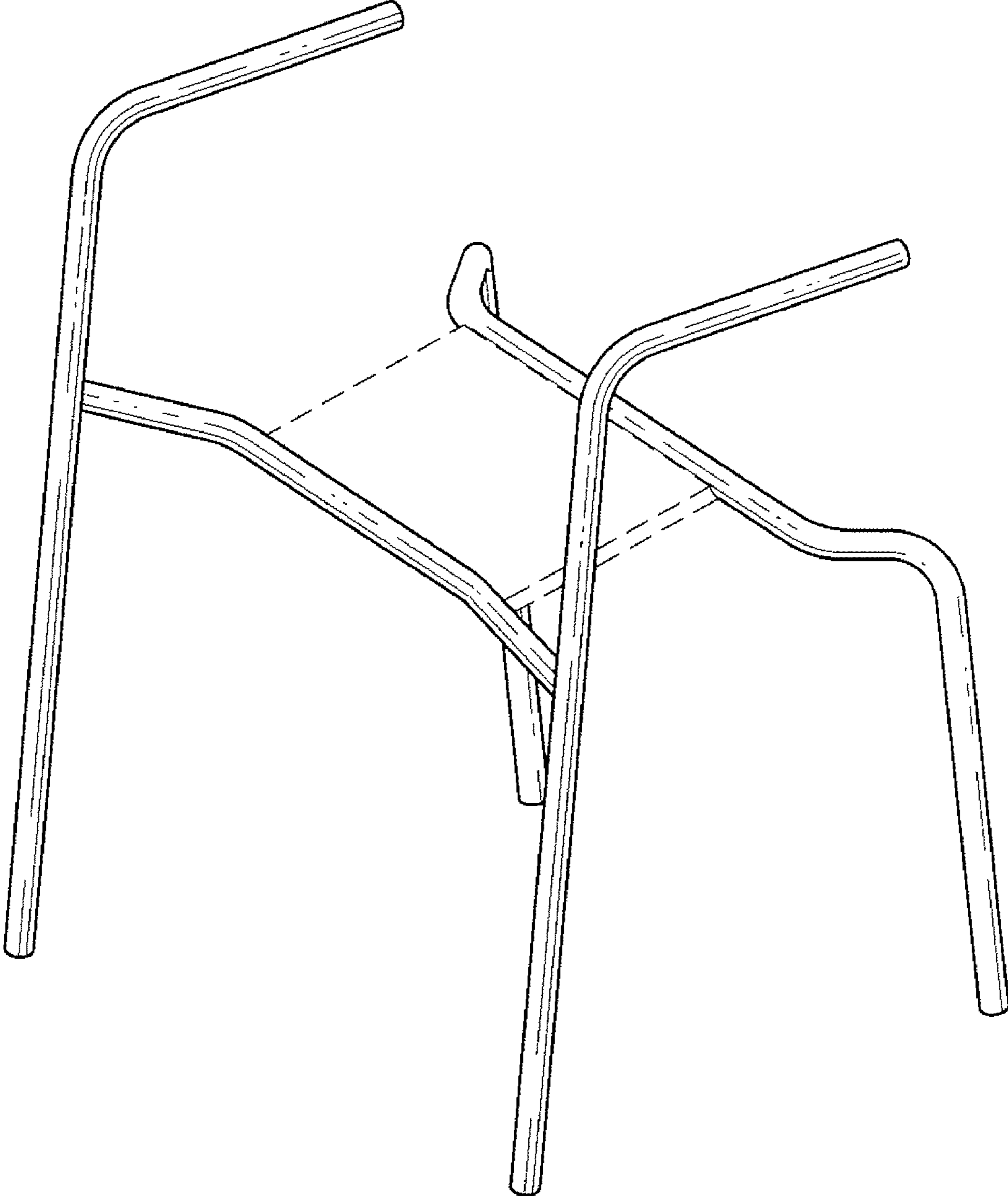


FIG. 2



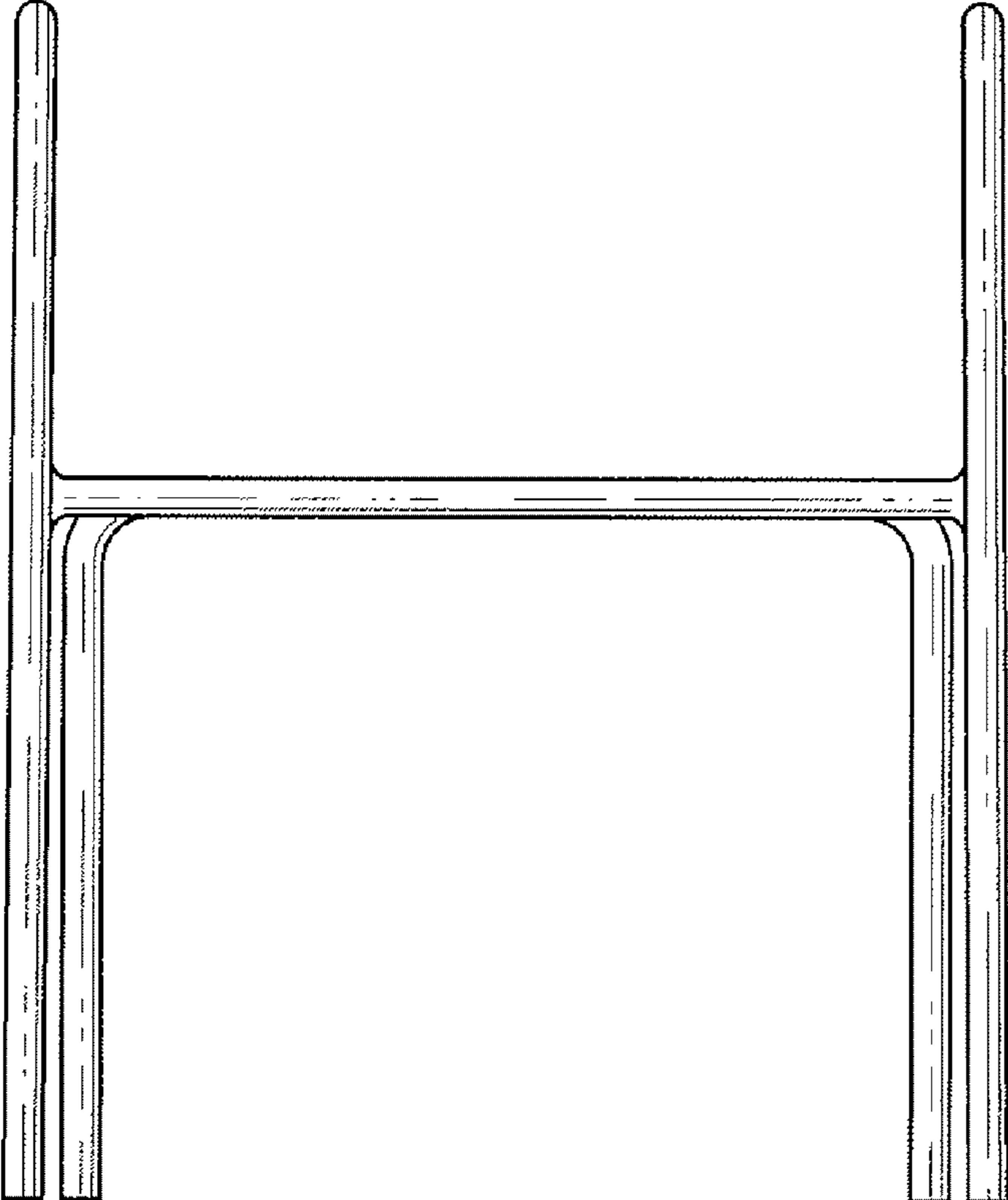


FIG. 3

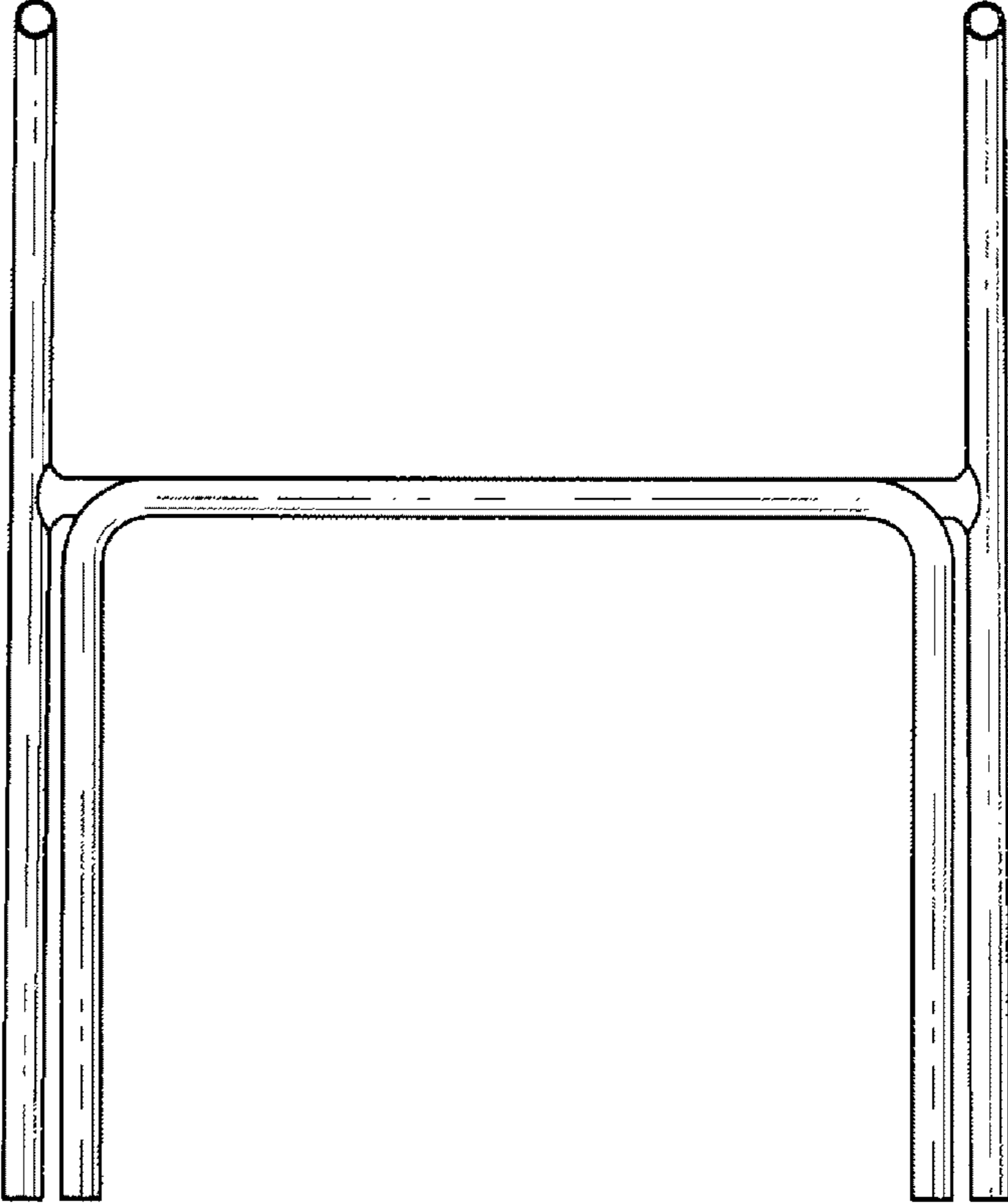


FIG. 4

FIG. 5

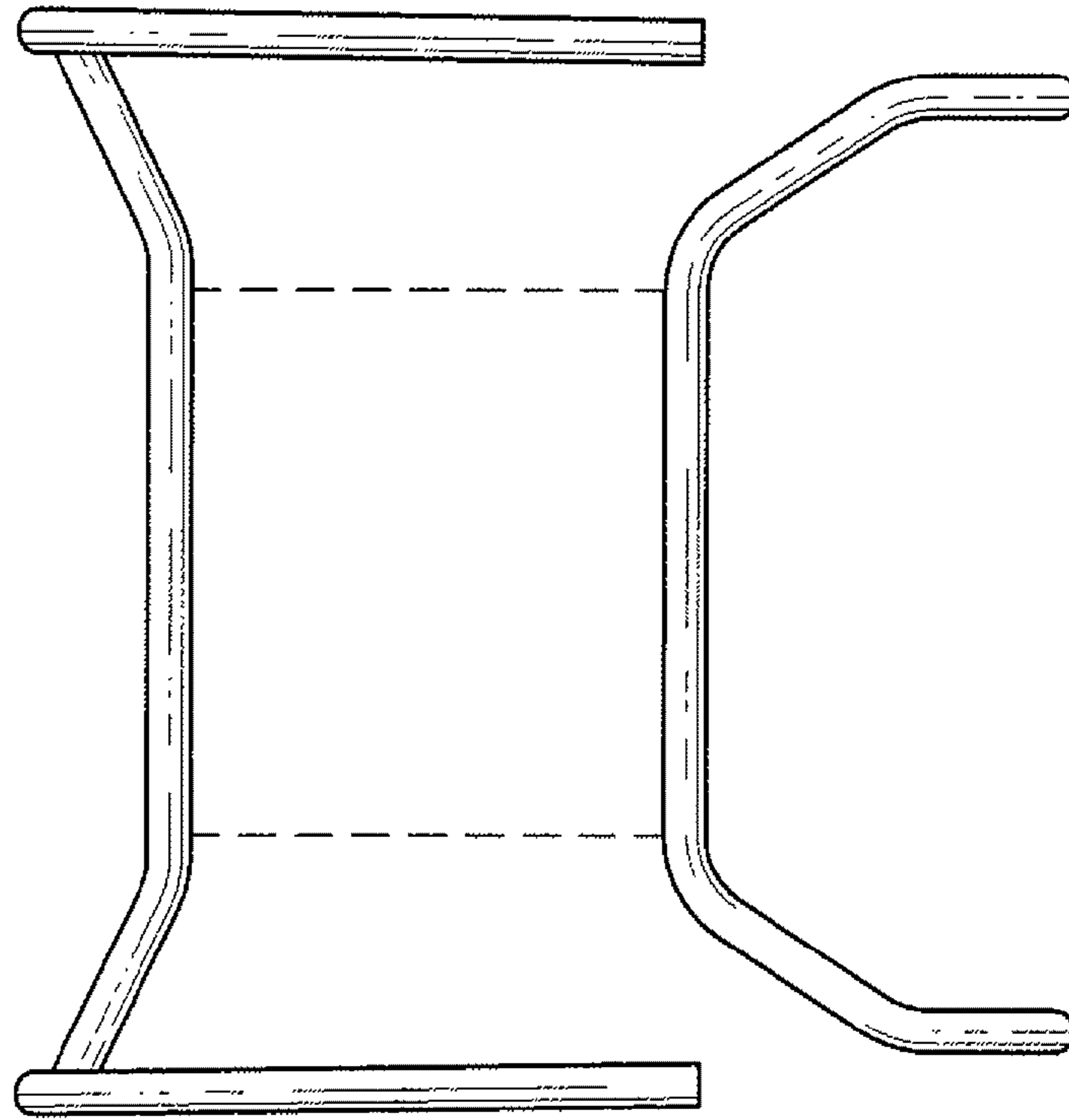


FIG. 6

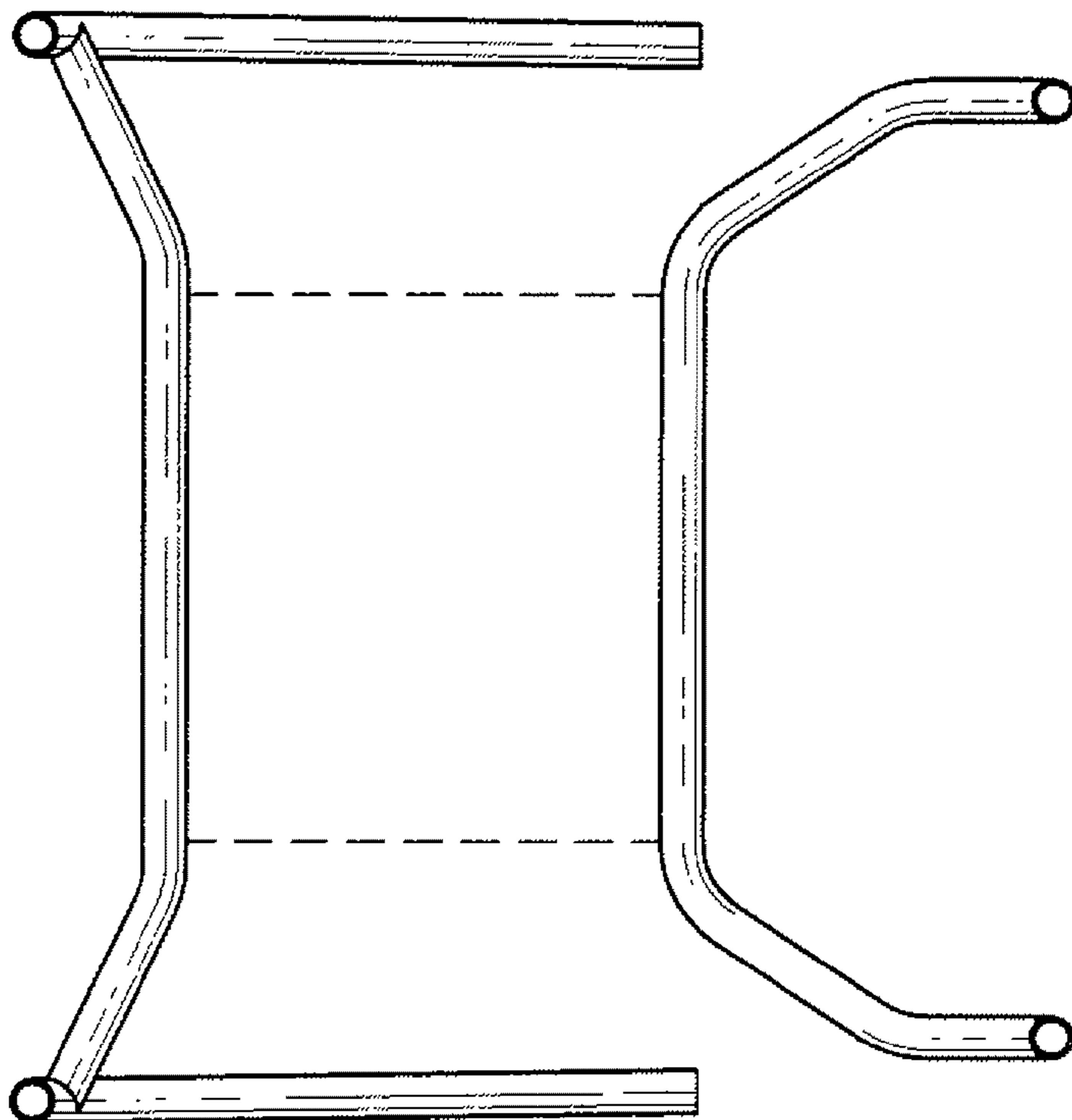


FIG. 7

