



US00D648962S

(12) **United States Design Patent**  
**Brodbeck**

(10) **Patent No.:** **US D648,962 S**

(45) **Date of Patent:** **\*\* Nov. 22, 2011**

- (54) **SEATING UNIT FRAME**
- (75) Inventor: **Stefan Brodbeck**, Munich (DE)
- (73) Assignee: **Steelcase, Inc.**, Grand Rapids, MI (US)
- (\*\*) Term: **14 Years**
- (21) Appl. No.: **29/361,698**
- (22) Filed: **May 13, 2010**
- (51) **LOC (9) Cl.** ..... **06-01**
- (52) **U.S. Cl.** ..... **D6/500**
- (58) **Field of Classification Search** ..... D6/310,  
D6/334-336, 348, 358-381, 500-502; 297/31,  
297/239, 271.6, 11.2, 411.27, 411.28, 440.13,  
297/440.15, 445.1, 446.1, 446.2, 452.13,  
297/452.18  
See application file for complete search history.

- D309,384 S 7/1990 Buhk
- D309,385 S 7/1990 Buhk
- D309,386 S 7/1990 Buhk
- D309,535 S \* 7/1990 Wilson ..... D6/372
- D310,453 S 9/1990 Snodgrass
- D322,363 S 12/1991 Narita
- 5,114,212 A 5/1992 Verney et al.
- D327,988 S 7/1992 Citterio
- D328,531 S \* 8/1992 Citterio ..... D6/372
- D331,669 S 12/1992 Citterio
- D333,739 S 3/1993 Yeh
- D335,596 S 5/1993 Wogoman et al.
- D336,724 S 6/1993 Wilson

(Continued)

*Primary Examiner* — Ricky Pham  
(74) *Attorney, Agent, or Firm* — McDermott Will & Emery LLP

(57) **CLAIM**  
I claim the ornamental design for a seating unit frame, as shown and described:

(56) **References Cited**

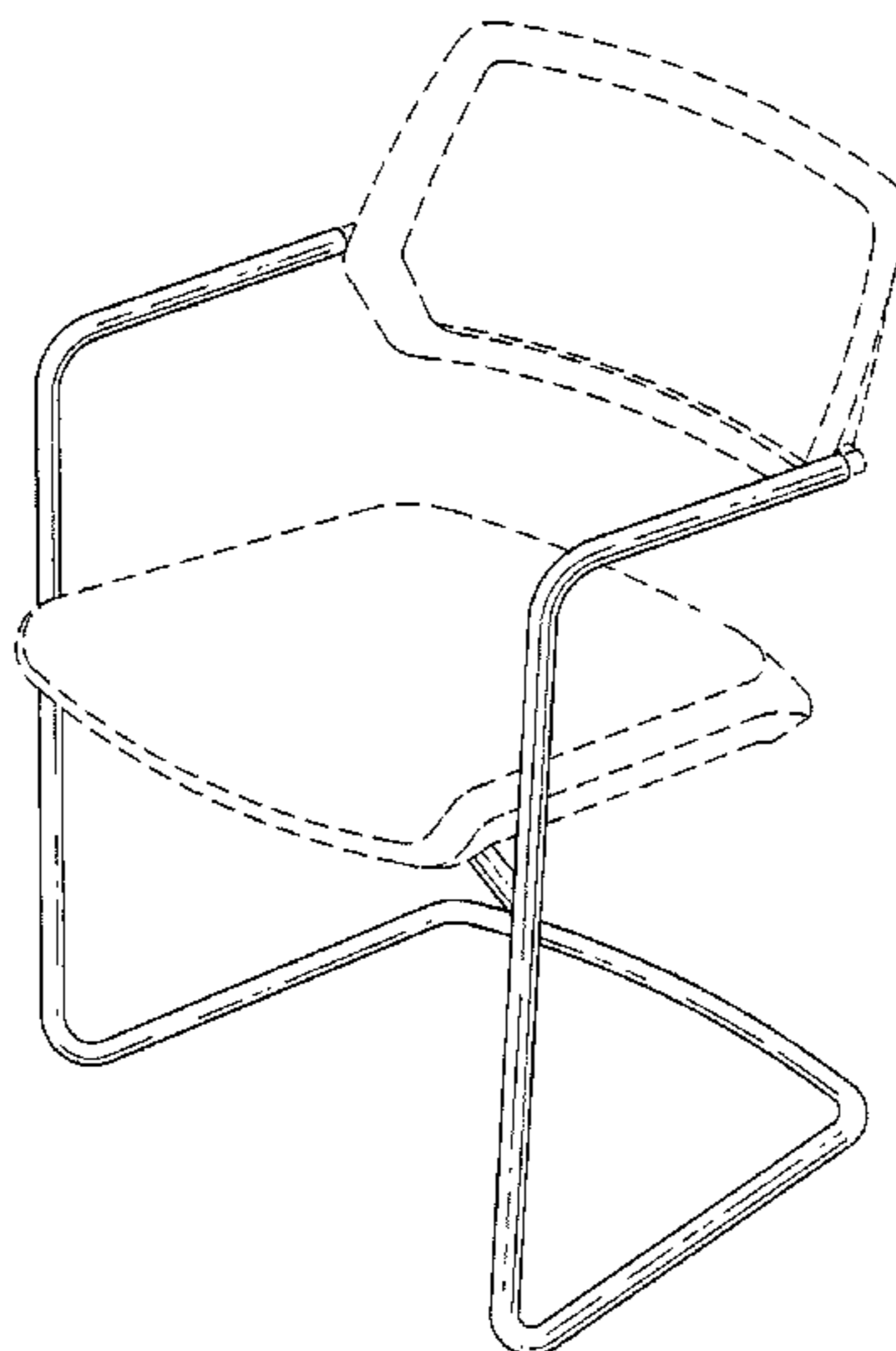
U.S. PATENT DOCUMENTS

- D102,999 S \* 2/1937 Terker ..... D6/369
- D114,768 S \* 5/1939 Rogers ..... D6/375
- D118,040 S \* 12/1939 Gilkison ..... D6/372
- D118,041 S \* 12/1939 Gilkison ..... D6/372
- D130,925 S \* 12/1941 Roth ..... D6/372
- D164,487 S \* 9/1951 Goldberg ..... D6/372
- D172,658 S \* 7/1954 Budai ..... D6/372
- D189,293 S 11/1960 Pettitt
- D230,788 S 3/1974 Petersen
- 3,847,433 A 11/1974 Acton et al.
- D234,478 S \* 3/1975 Koepke ..... D6/372
- D244,812 S 6/1977 Buhk
- D250,559 S 12/1978 Petersen
- D262,502 S 1/1982 Wilson
- D272,967 S 3/1984 Umanoff
- D274,579 S 7/1984 Diffrient
- D274,675 S 7/1984 Diffrient
- D286,106 S \* 10/1986 Franck et al. .... D6/372
- D301,810 S 6/1989 Snodgrass
- D305,388 S 1/1990 Mascheroni
- D307,836 S \* 5/1990 Favaretto ..... D6/372
- D309,382 S 7/1990 Buhk

**DESCRIPTION**

FIG. 1 is a perspective view of a seating unit frame according to the new design shown in its seating unit environment; FIG. 2 is a perspective view of a seating unit frame according to the new design; FIG. 3 is a front view of the seating unit frame shown in FIG. 2; FIG. 4 is a rear view of the seating unit frame shown in FIG. 2; FIG. 5 is a top view of the seating unit frame shown in FIG. 2; FIG. 6 is a bottom view of the seating unit frame shown in FIG. 2; and, FIG. 7 is a right side view of the seating unit frame shown in FIG. 2; the opposed left side view being a mirror image thereof. In the drawings, features in broken lines form no part of the claimed design.

**1 Claim, 5 Drawing Sheets**



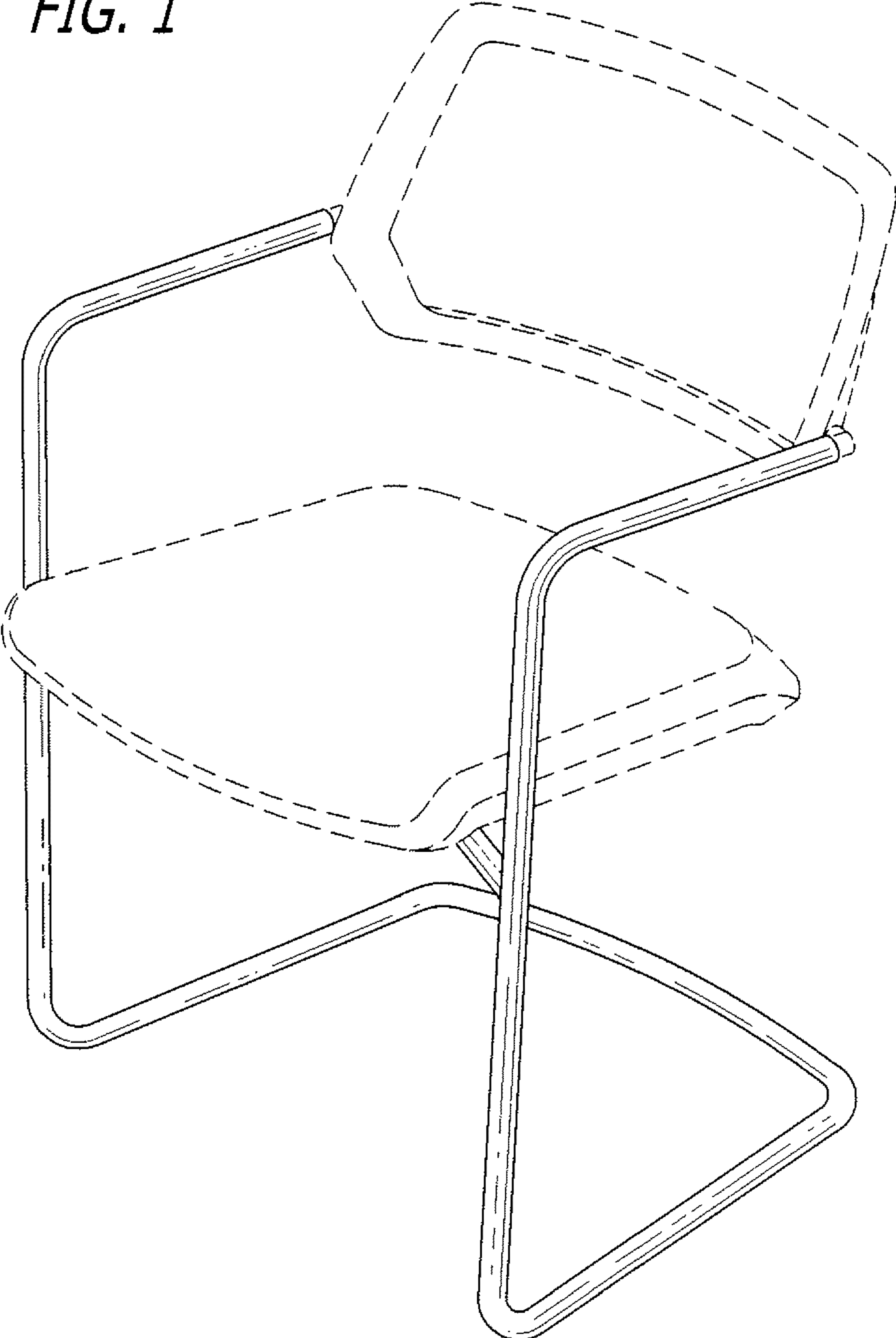
# US D648,962 S

Page 2

U.S. PATENT DOCUMENTS					
D338,785 S	8/1993	Lange		D498,600 S	11/2004 Koch et al.
D341,037 S *	11/1993	Pomeroy et al. ....	D6/370	D498,601 S	11/2004 Olson et al.
D344,196 S	2/1994	Snodgrass et al.		D498,940 S	11/2004 Getzel
D344,418 S	2/1994	Favaretto		D502,331 S	3/2005 Socha, Jr. et al.
D345,259 S	3/1994	Narita		D508,792 S	8/2005 Dorigo
D346,501 S	5/1994	Llusca		D512,238 S	12/2005 Chen
D348,787 S	7/1994	Zapf		D512,579 S *	12/2005 Igarashi ..... D6/372
D349,196 S	8/1994	Lohmeyer		D512,846 S	12/2005 Goodworth
D350,242 S	9/1994	Lohmeyer		D516,329 S	3/2006 Baeriswyl
D350,653 S	9/1994	Citterio		D517,828 S	3/2006 Magnani et al.
D351,070 S	10/1994	Scheper et al.		D522,266 S	6/2006 Bongaerts
D351,743 S	10/1994	Locher		D526,145 S	8/2006 Kita
D353,270 S	12/1994	Locher		D526,146 S	8/2006 Kita
D355,081 S	2/1995	Scheper		D527,931 S	9/2006 Kita
D355,303 S	2/1995	Scheper et al.		D528,812 S *	9/2006 Giugiaro ..... D6/372
D357,821 S	5/1995	Tedesco		D541,067 S	4/2007 Lin
D359,177 S	6/1995	Bartlmae		D543,374 S	5/2007 Huerlimann
D360,539 S	7/1995	Cretcher		D544,234 S	6/2007 Olano
D361,675 S	8/1995	Ruy		D546,089 S	7/2007 Ebenestelli
D362,976 S *	10/1995	Wingarter .....	D6/372	D547,963 S	8/2007 Olano
D378,327 S *	3/1997	Beaulieu .....	D6/372	D549,479 S	8/2007 Su
D383,009 S	9/1997	Piretti		D550,977 S	9/2007 Igarashi
D395,177 S	6/1998	Dammerman et al.		D552,856 S	10/2007 Chan
D395,764 S	7/1998	Dozsa-Farkas		D553,377 S	10/2007 Chan
D399,072 S *	10/1998	Holbrook .....	D6/372	D555,924 S	11/2007 Igarashi
D404,586 S	1/1999	Citterio		D555,928 S	11/2007 Pensi
D409,409 S	5/1999	Muller		D558,480 S	1/2008 Olano Jauregui
D411,928 S	7/1999	Ritch et al.		D563,698 S	3/2008 Petruccelli
D414,953 S	10/1999	Goetz		D564,771 S *	3/2008 Dauphin ..... D6/372
D420,523 S *	2/2000	Stumpf et al. ....	D6/372	D569,644 S	5/2008 Kumazawa
6,030,037 A	2/2000	Ritch et al.		D572,496 S	7/2008 Rizzi
D426,970 S	6/2000	Kolberg		D572,927 S	7/2008 Bernett et al.
6,070,937 A	6/2000	Ginat		D573,378 S	7/2008 Petruccelli
D435,175 S	12/2000	Chu		D575,537 S	8/2008 Petruccelli
D441,976 S	5/2001	Cramer		D575,541 S	8/2008 Hayes
D449,461 S	10/2001	Cramer		D578,789 S	10/2008 Ciani et al.
D449,462 S	10/2001	Muller		D579,225 S	10/2008 Citterio
D449,938 S	11/2001	Vanderiet et al.		D579,226 S	10/2008 Pinaffo et al.
D455,571 S	4/2002	Van De Riet et al.		D581,180 S	11/2008 Chi
D456,163 S	4/2002	Englisch		7,452,035 B2	11/2008 Astle et al.
D456,164 S	4/2002	Vanderiet et al.		D581,689 S	12/2008 Marini
D457,006 S	5/2002	Ooyama		D582,693 S	12/2008 da Costa
D467,445 S	12/2002	Saffell et al.		D585,658 S	2/2009 Dauphin
D467,751 S *	12/2002	Lepper et al. ....	D6/372	D589,276 S	3/2009 Dauphin
D471,373 S	3/2003	Starzewski et al.		D590,616 S	4/2009 Benn
D472,745 S	4/2003	Haney et al.		D590,617 S	4/2009 Benn
D474,621 S	5/2003	Pesso		D591,968 S	5/2009 Pinaffo et al.
D475,544 S	6/2003	Chadwick et al.		D606,769 S *	12/2009 Ballendat ..... D6/372
D481,550 S	11/2003	Astle		D617,110 S *	6/2010 Dorner ..... D6/372
D482,540 S	11/2003	Ashby		D622,073 S *	8/2010 Igarashi ..... D6/372
D485,084 S	1/2004	Bales		D622,074 S *	8/2010 Igarashi ..... D6/372
D489,911 S	5/2004	Muller		2008/0036267 A1 *	2/2008 Maier et al. .... 297/452.18

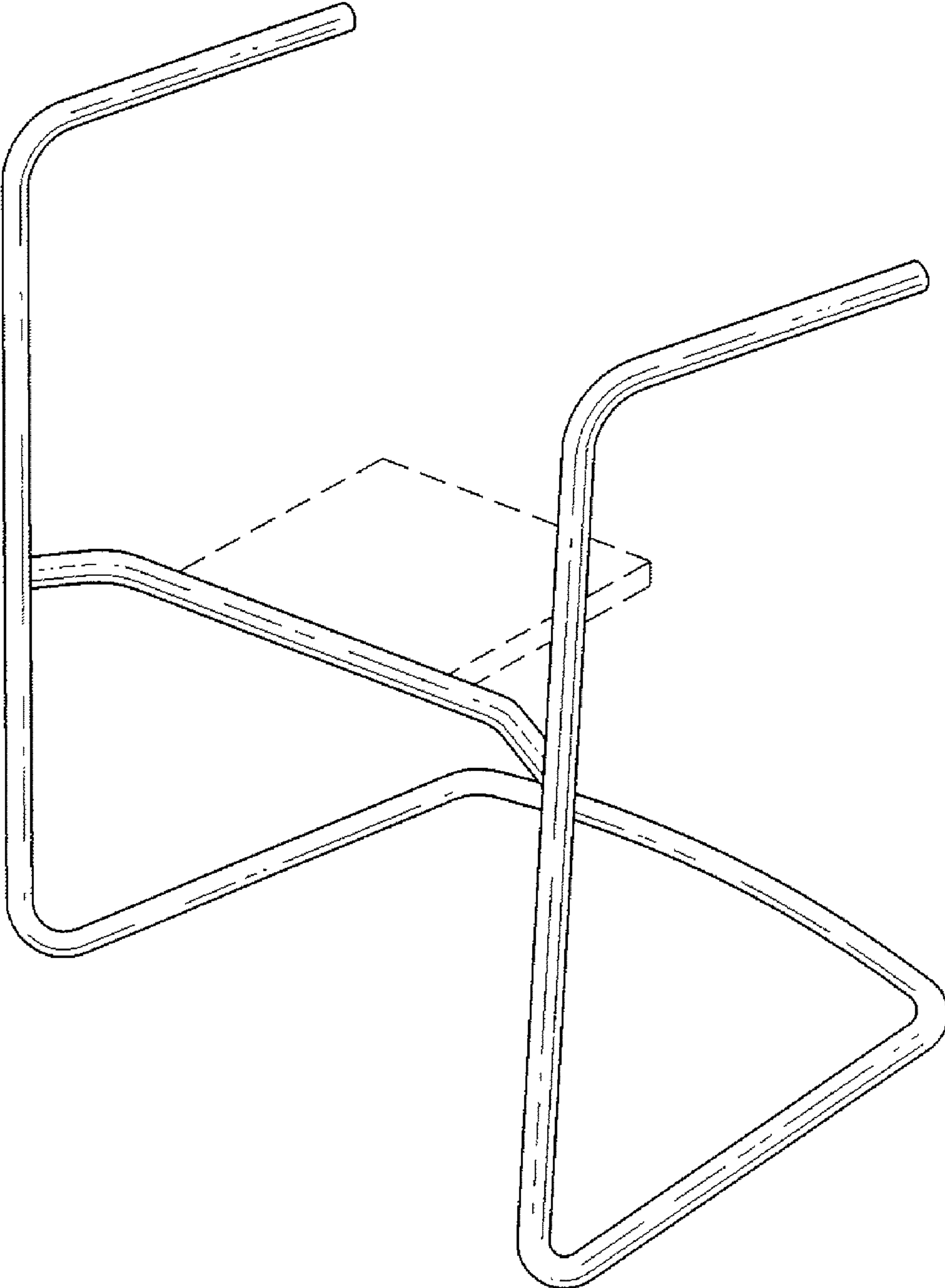
\* cited by examiner

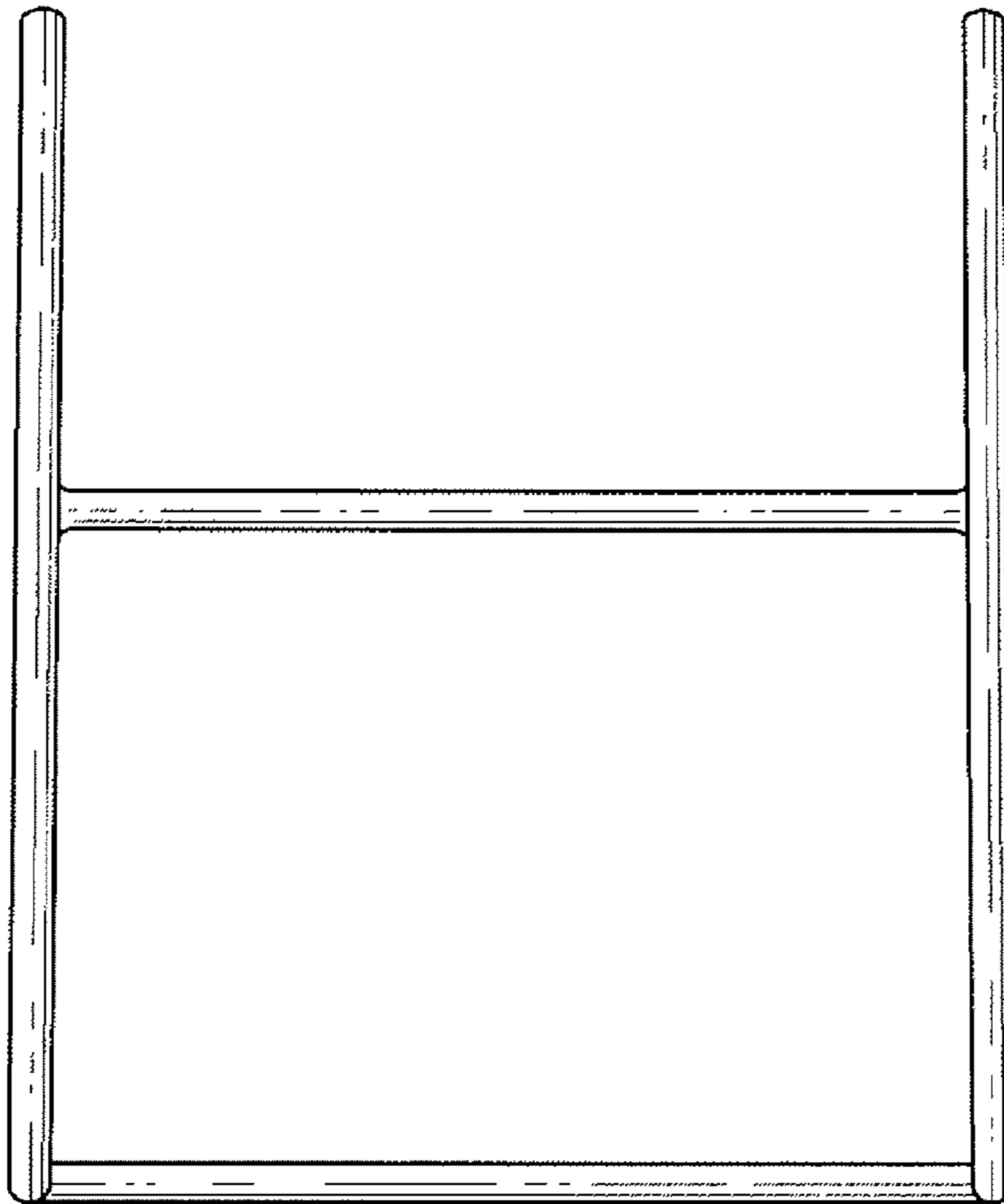
*FIG. 1*



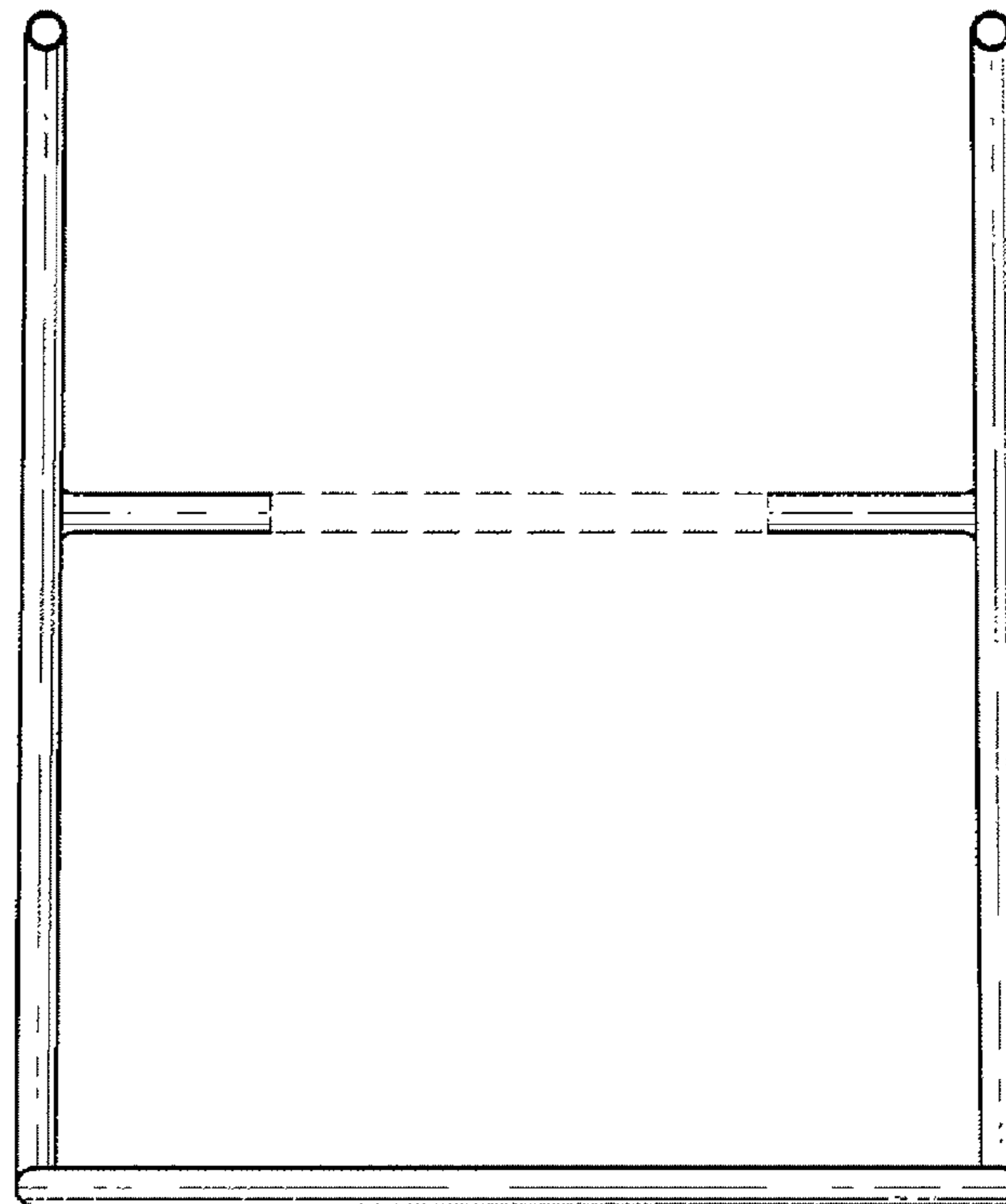


*FIG. 2*



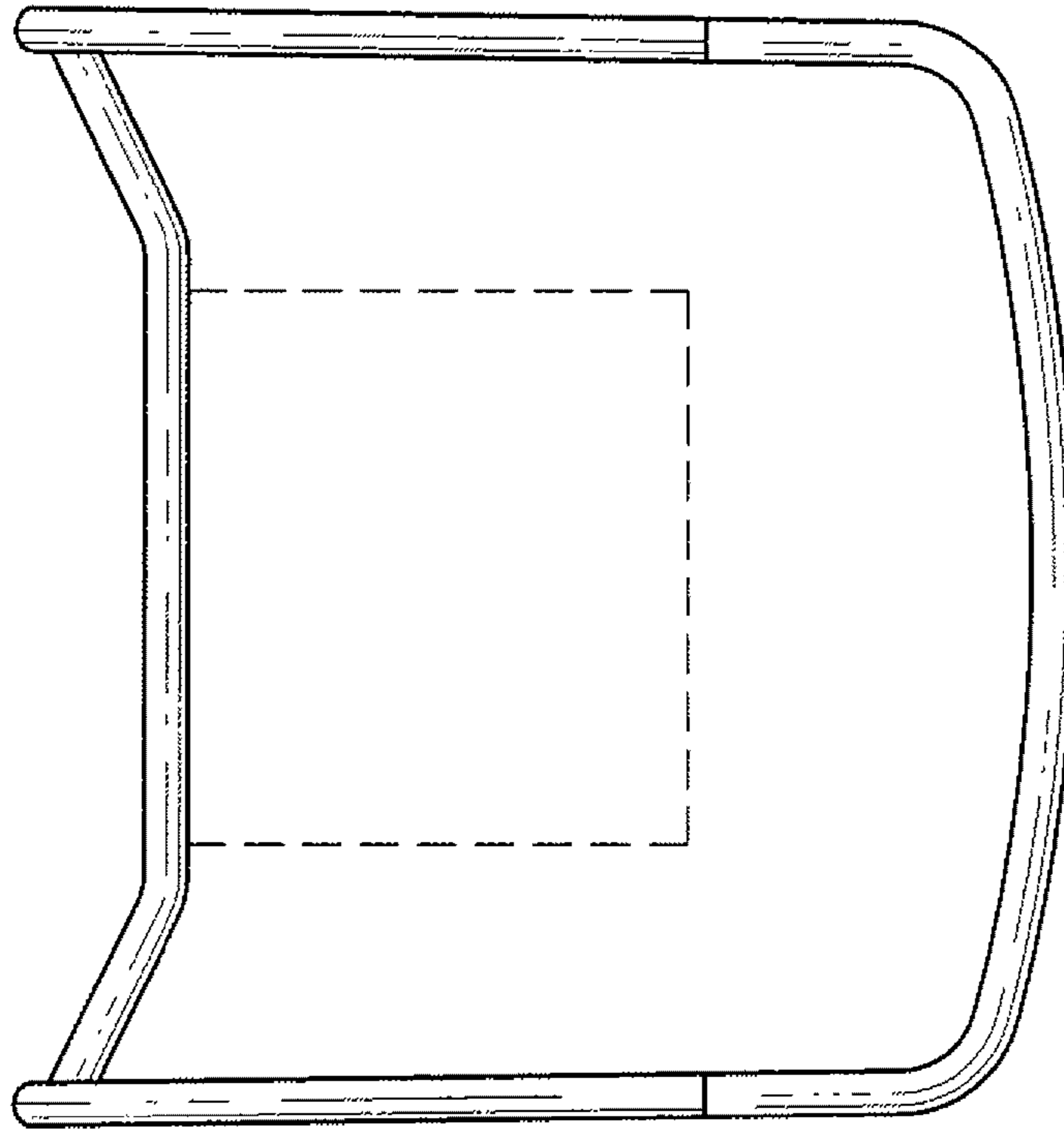


*FIG. 3*

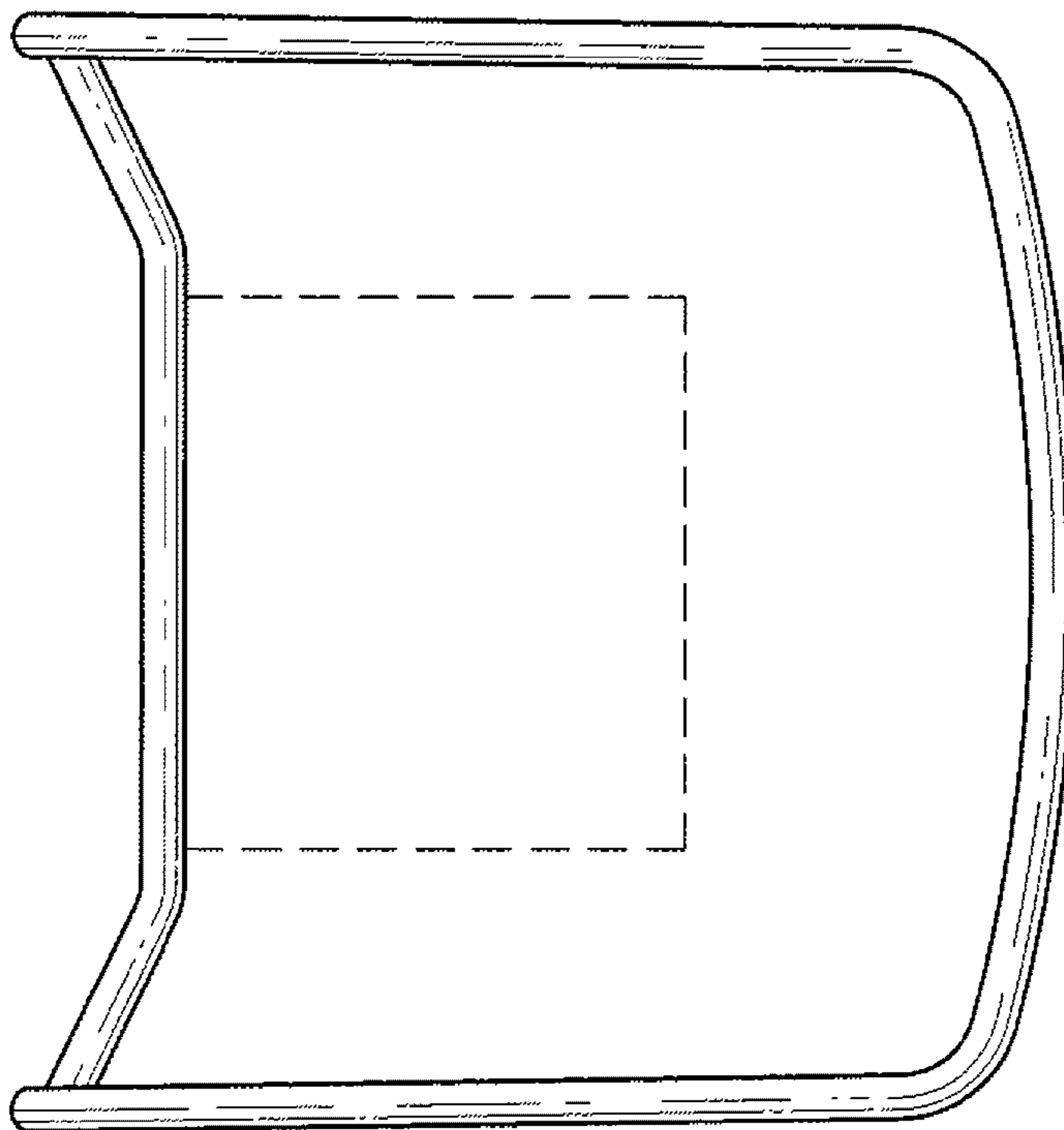


*FIG. 4*

*FIG. 5*



*FIG. 6*



*FIG. 7*

