

US00D648957S

(12) **United States Design Patent**
Cute

(10) **Patent No.:** **US D648,957 S**

(45) **Date of Patent:** **** Nov. 22, 2011**

(54) **TRIPLE PLANT HOLDER**

(75) Inventor: **Joseph E. Cute**, Geneva, IL (US)

(73) Assignee: **Sun Hill Industries, Inc.**, Fairfield, CA (US)

(**) Term: **14 Years**

(21) Appl. No.: **29/390,709**

(22) Filed: **Apr. 28, 2011**

(51) **LOC (9) Cl.** **11-02**

(52) **U.S. Cl.** **D6/405**

(58) **Field of Classification Search** D6/403-405,
D6/556-558; D8/1; D11/143-156, 164;
D19/77, 80, 81; D25/100; D26/9-11, 16;
D34/1, 2, 4-6; D99/5, 19; 47/32.4, 32.5,
47/32.7, 33, 41.01, 41.1, 41.11-41.15, 44-47,
47/65, 65.5, 65.9, 66.1, 66.2, 66.6, 66.7,
47/67-71

See application file for complete search history.

(56) **References Cited**

U.S. PATENT DOCUMENTS

D239,426 S * 4/1976 Bailey D6/405
D447,358 S * 9/2001 Cavero D6/403

D449,180 S * 10/2001 Blake D6/403
D450,225 S * 11/2001 Walters-Dowding et al. . D7/704
D579,230 S * 10/2008 Denham D6/405
D589,719 S * 4/2009 Cute D6/404
D589,720 S * 4/2009 Cute D6/404
D632,504 S * 2/2011 Yeh D6/403
D632,505 S * 2/2011 Yeh D6/403

* cited by examiner

Primary Examiner — Garth Rademaker

(74) *Attorney, Agent, or Firm* — Riverside Law LLP

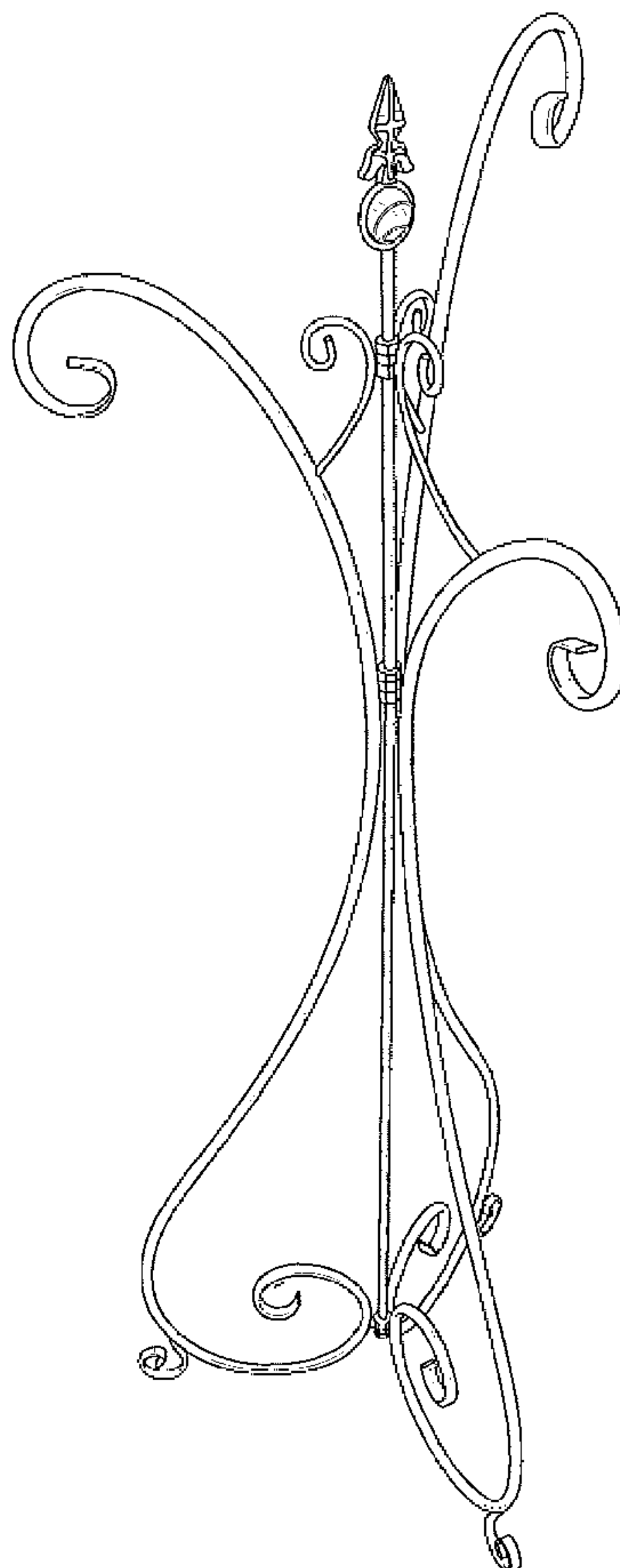
(57) **CLAIM**

I claim the ornamental design for a triple plant holder, as shown and described.

DESCRIPTION

FIG. 1 is a perspective view of a triple plant holder;
FIG. 2 is a front view thereof;
FIG. 3 is a back view thereof;
FIG. 4 is a left view thereof;
FIG. 5 is a right view thereof;
FIG. 6 is a top view thereof; and,
FIG. 7 is a bottom view thereof.

1 Claim, 6 Drawing Sheets



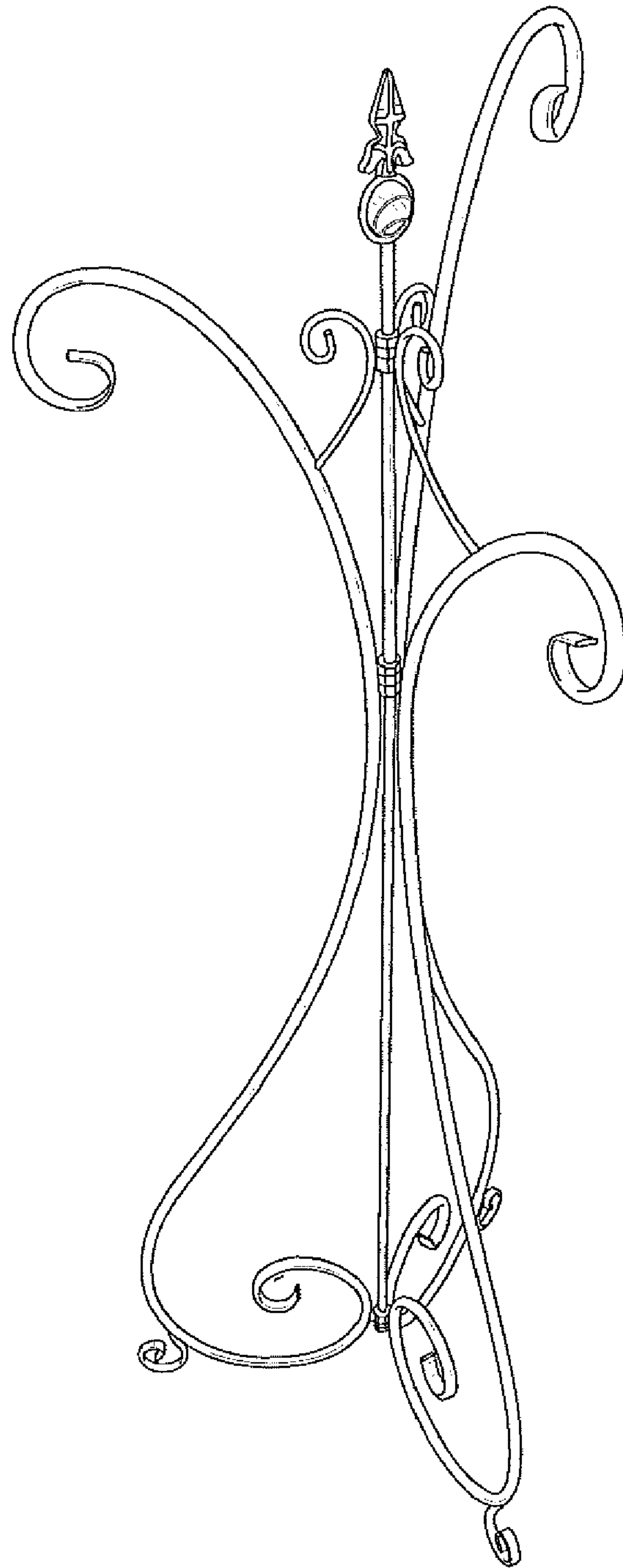


FIG. 1

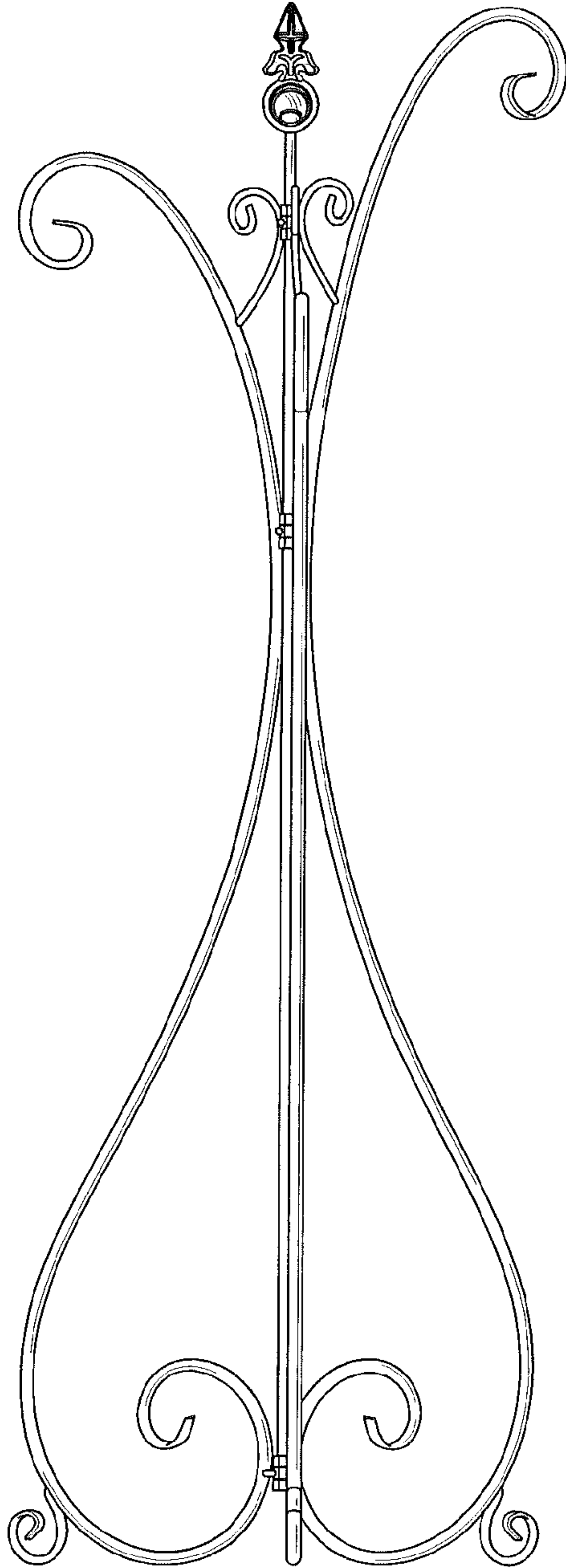


FIG. 2

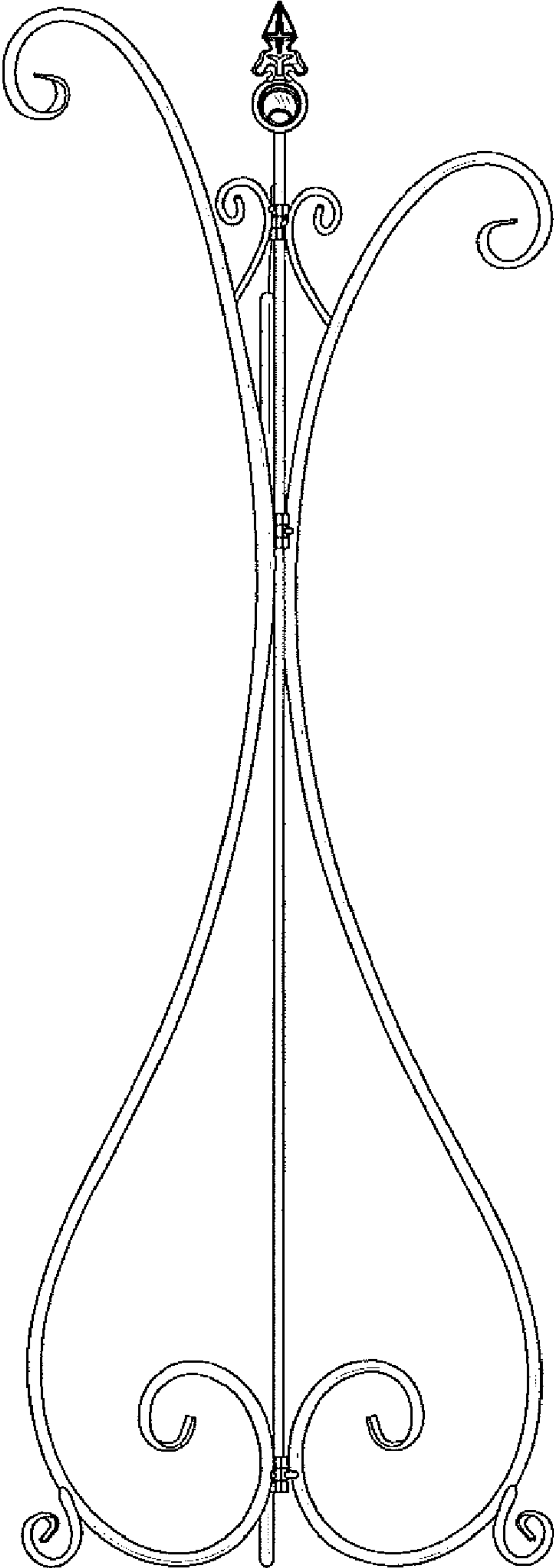


FIG. 3

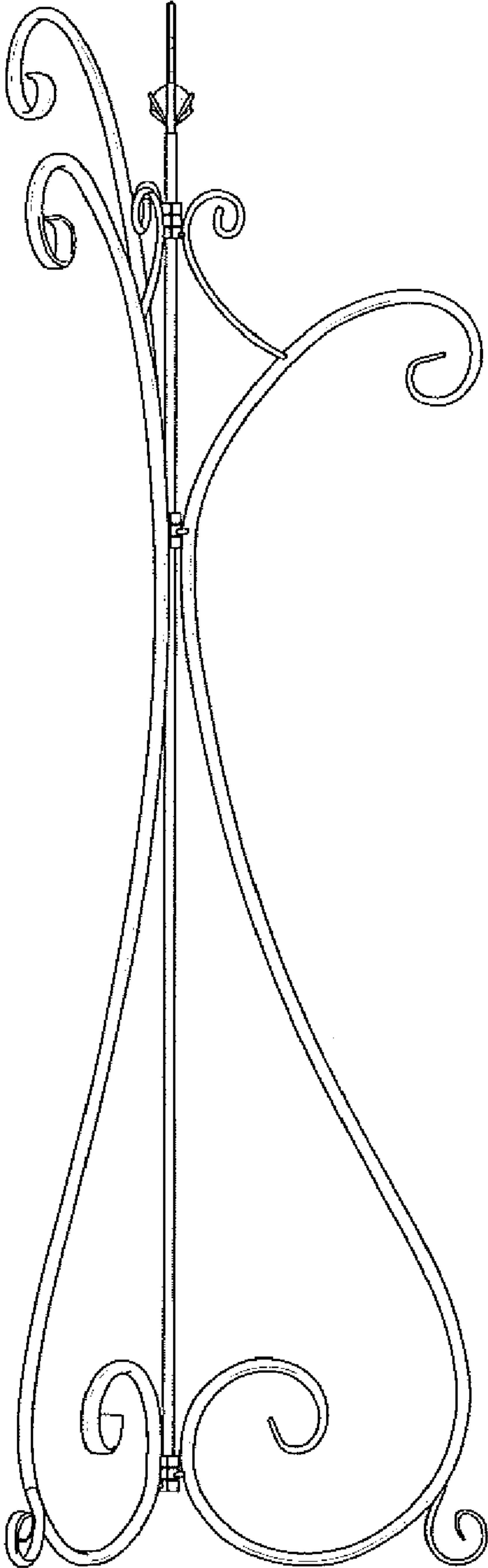


FIG. 4

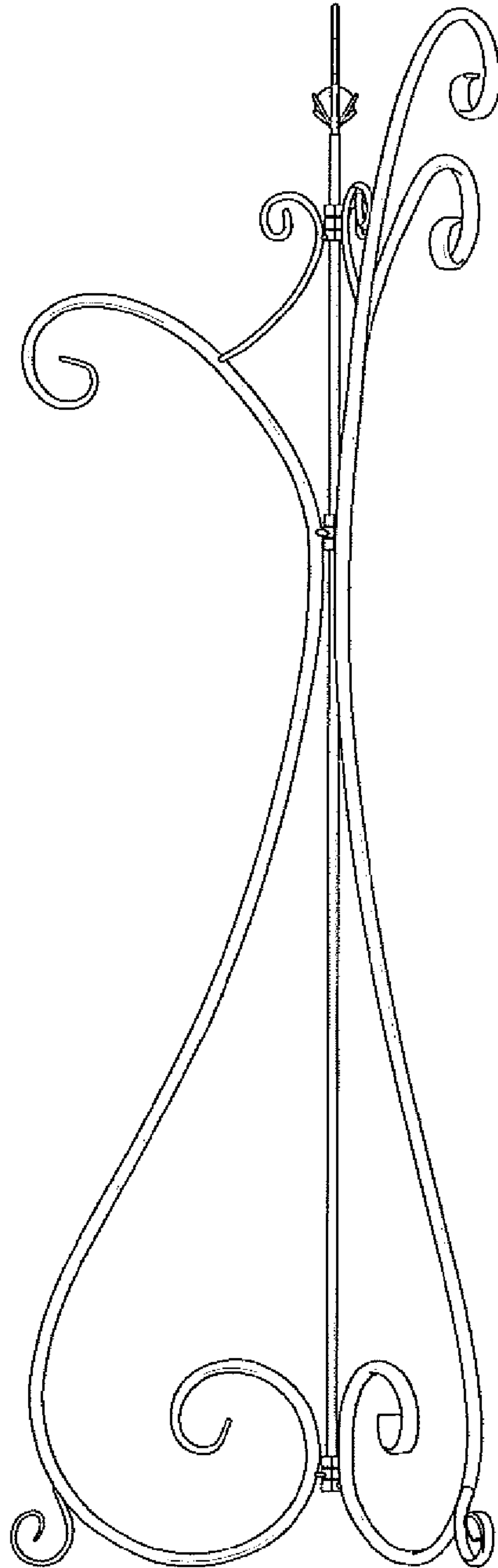


FIG. 5

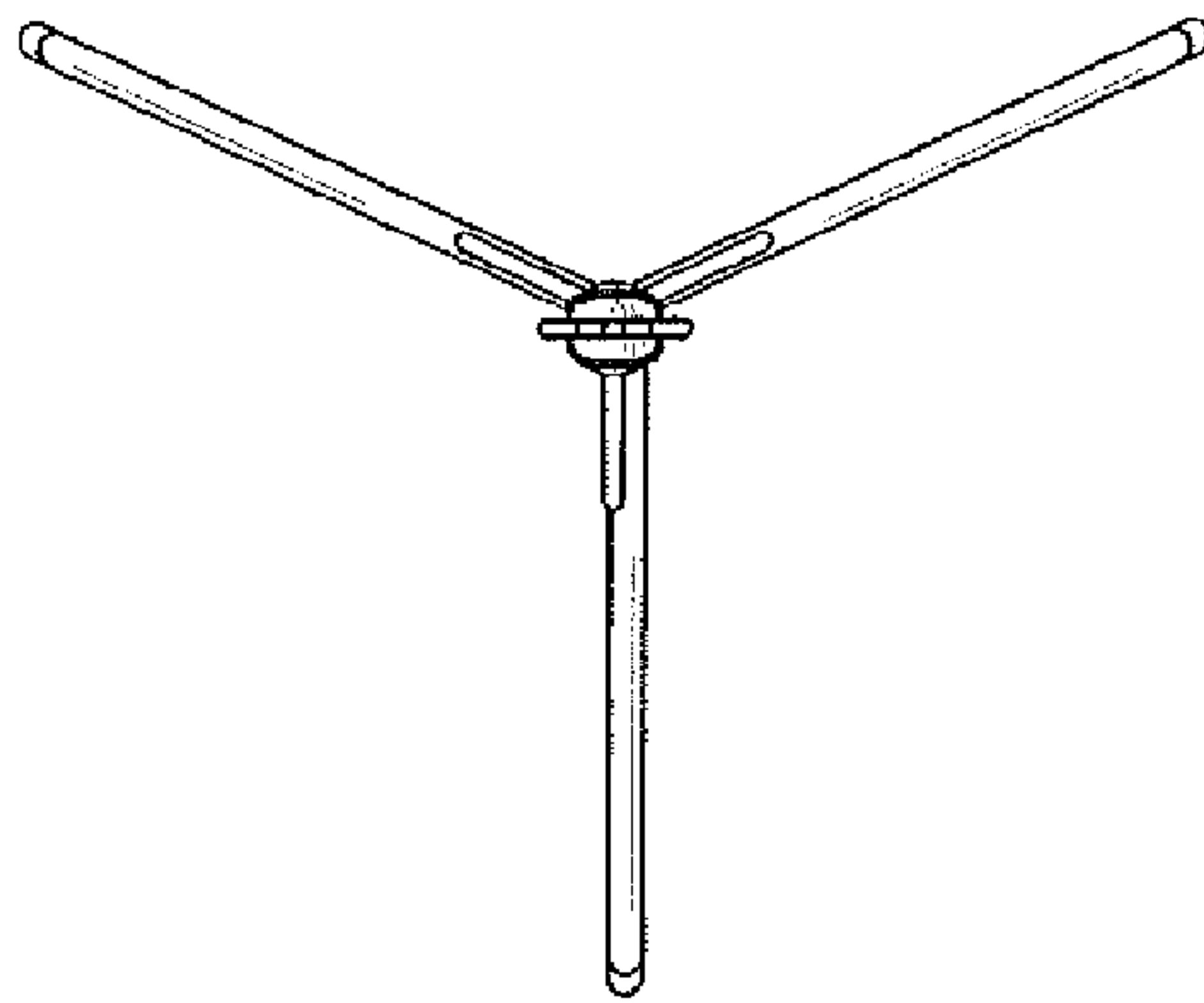


FIG. 6

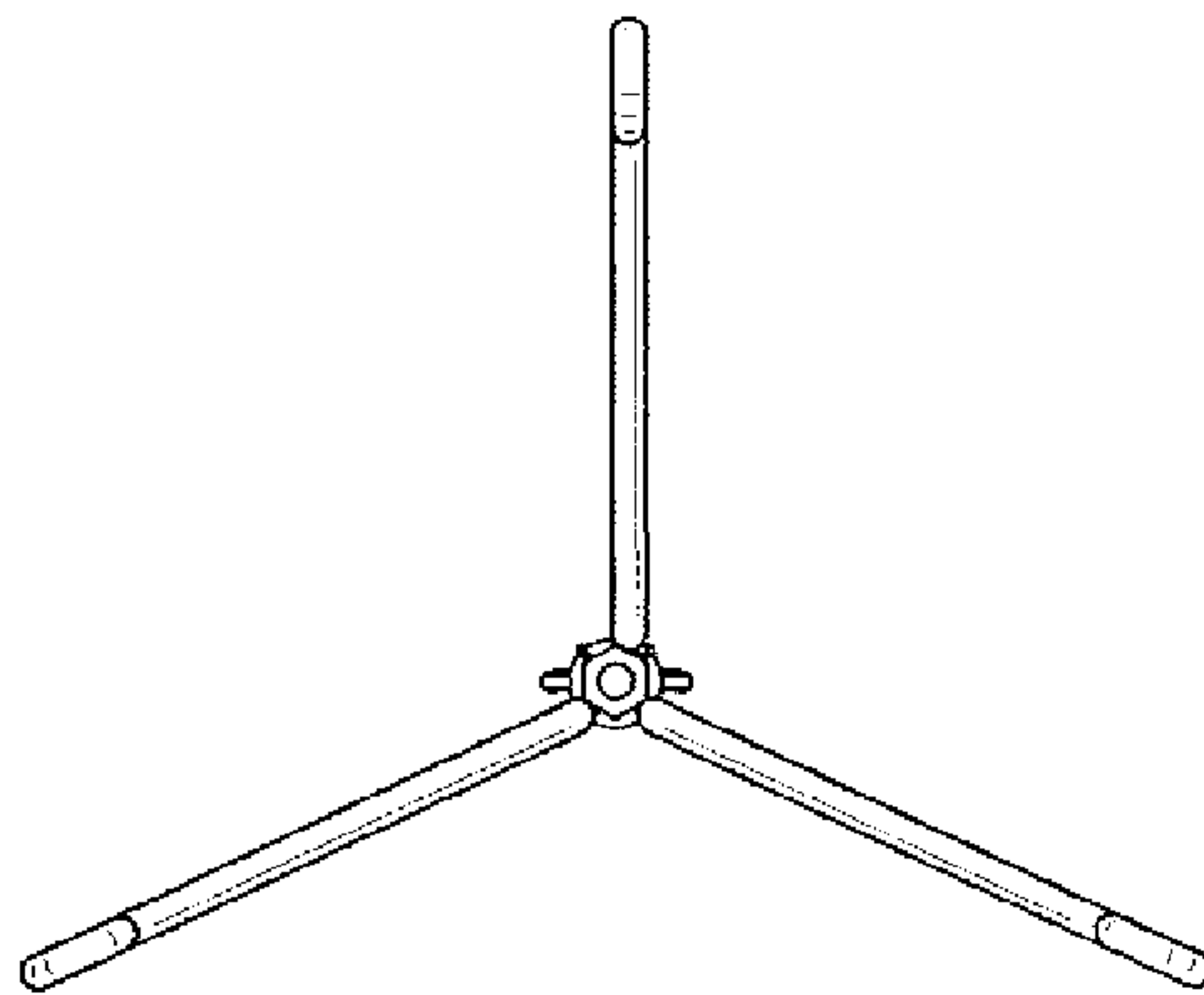


FIG. 7