



US00D648953S

(12) **United States Design Patent**
Kruse

(10) **Patent No.:** **US D648,953 S**
(45) **Date of Patent:** **** Nov. 22, 2011**

(54) **SELF-CHECKOUT SYSTEM**

(56) **References Cited**

(75) Inventor: **Bernd Kruse**, Altenbeken (DE)

U.S. PATENT DOCUMENTS

(73) Assignee: **Wincor Nixdorf International GmbH**
(DE)

D449,726 S *	10/2001	Lin	D99/28
D529,255 S *	9/2006	Sato	D99/28
D530,880 S *	10/2006	Magee et al.	D99/28
D536,192 S *	2/2007	Kruse et al.	D6/402
D540,004 S *	4/2007	Kang et al.	D99/28
D558,481 S *	1/2008	Dias	D6/402
D586,579 S *	2/2009	Hunayama et al.	D6/402
D590,626 S *	4/2009	Sato	D6/402

(**) Term: **14 Years**

(21) Appl. No.: **29/367,747**

* cited by examiner

(22) Filed: **Aug. 12, 2010**

Primary Examiner — Caron D Veynar

Assistant Examiner — Abraham Bahta

Related U.S. Application Data

(62) Division of application No. 29/312,056, filed on Sep. 26, 2008.

(74) *Attorney, Agent, or Firm* — Harness, Dickey & Pierce, P.L.C.

(30) **Foreign Application Priority Data**

(57) **CLAIM**

The ornamental design for a self-checkout system, as shown and described.

Mar. 26, 2008 (EM) 000902101

DESCRIPTION

(51) **LOC (9) Cl.** **06-03**

(52) **U.S. Cl.** **D6/402**

(58) **Field of Classification Search** D6/402,
D6/396-397, 436, 470; D18/4.1-4.5, 3.1-3.3;
D99/28, 34-35; 186/59, 61, 68; 235/1 E,
235/6, 7 R, 50 A, 50 B, 52, 379, 386, 380,
235/381, 53; 221/129-130; 194/206, 217,
194/350; 312/140.1

FIG. 1 is a front, top and left side perspective view of a self-checkout system showing my new design;

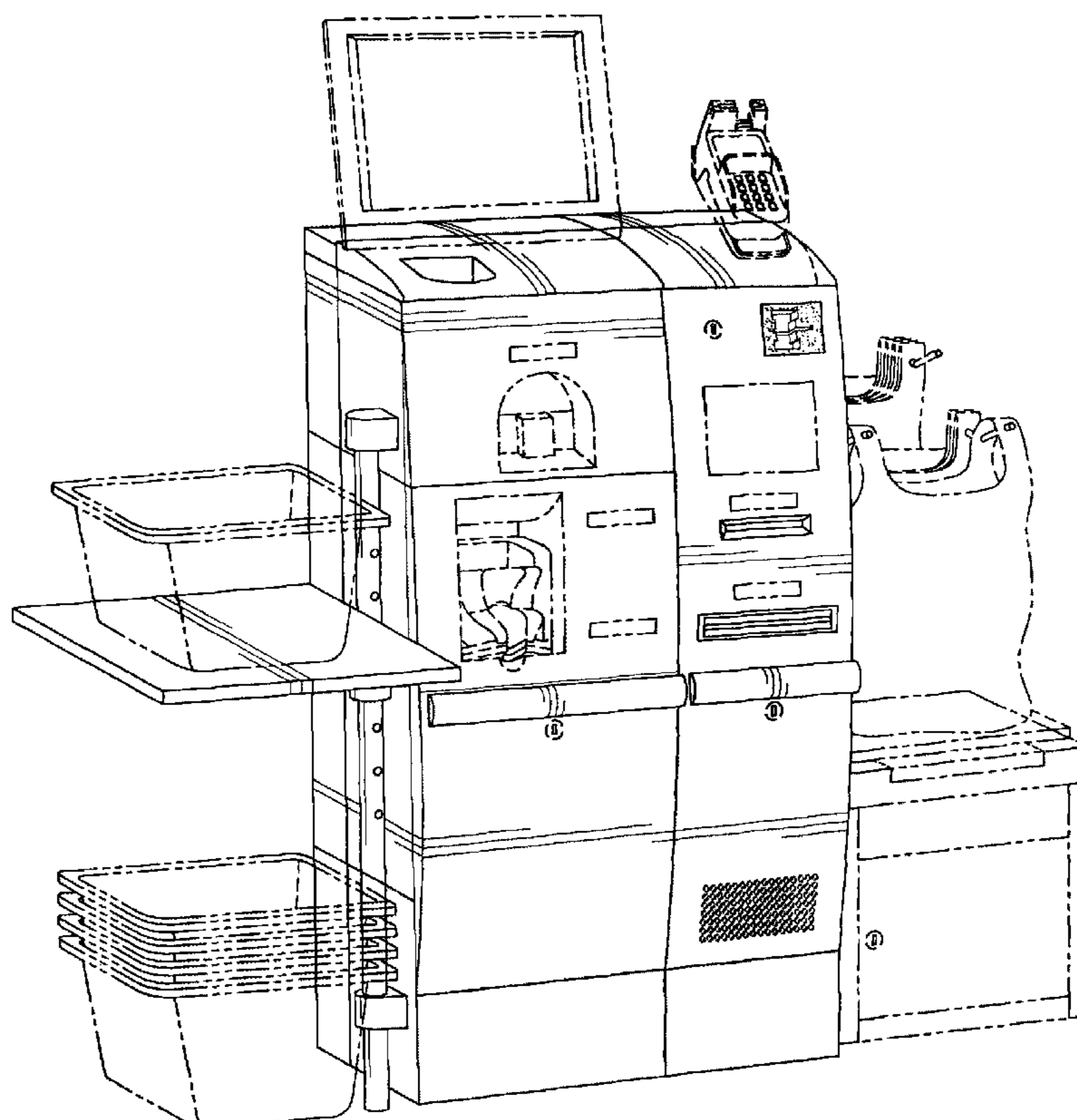
FIG. 2 is a front view thereof; and,

FIG. 3 is a left side view thereof.

The bottom and rear views of the self-checkout system are non-ornamental and have not been claimed. The broken lines shown in the drawings are for illustrative purposes only and form no part of the claimed design.

See application file for complete search history.

1 Claim, 3 Drawing Sheets



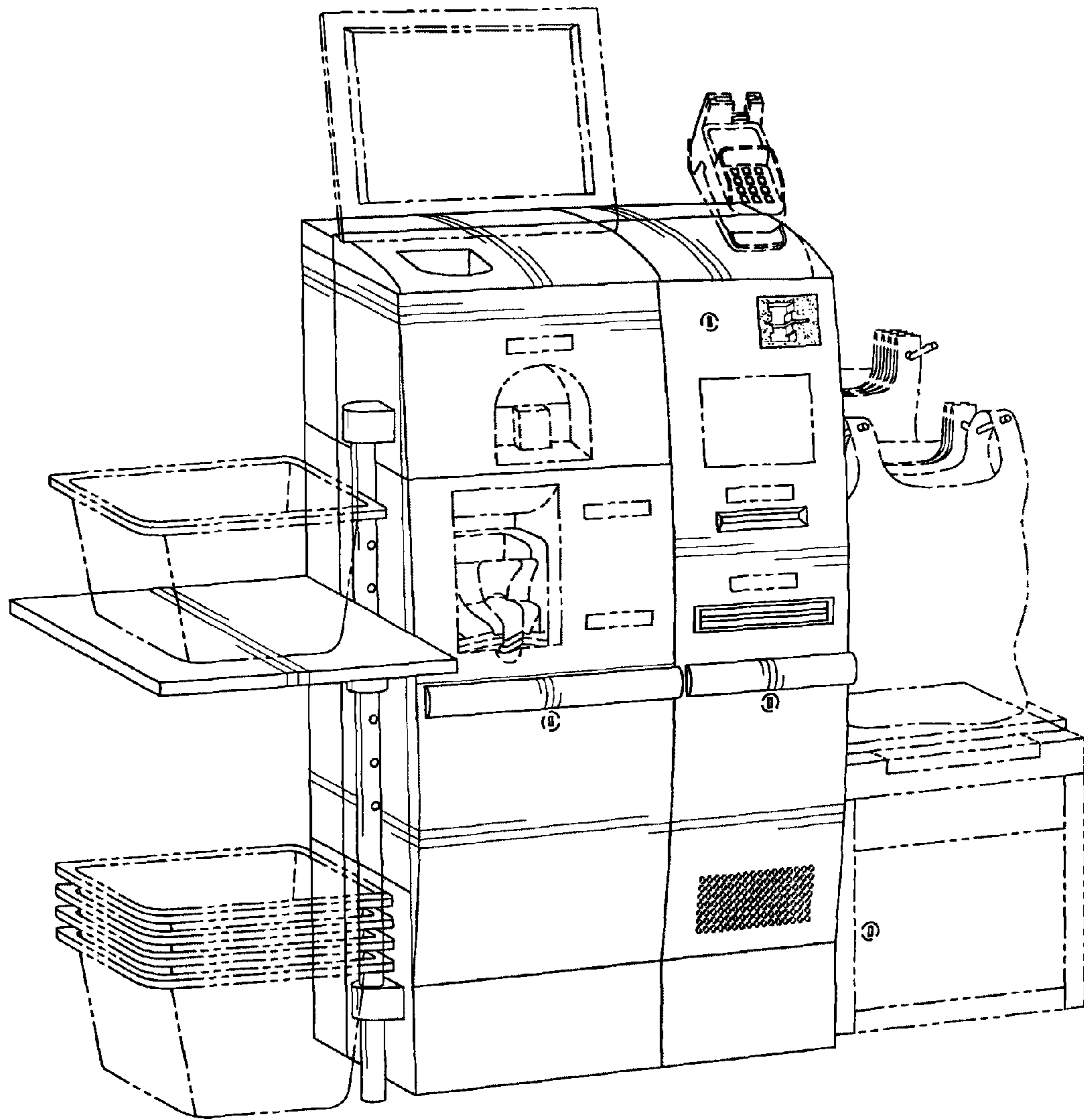


Fig-1

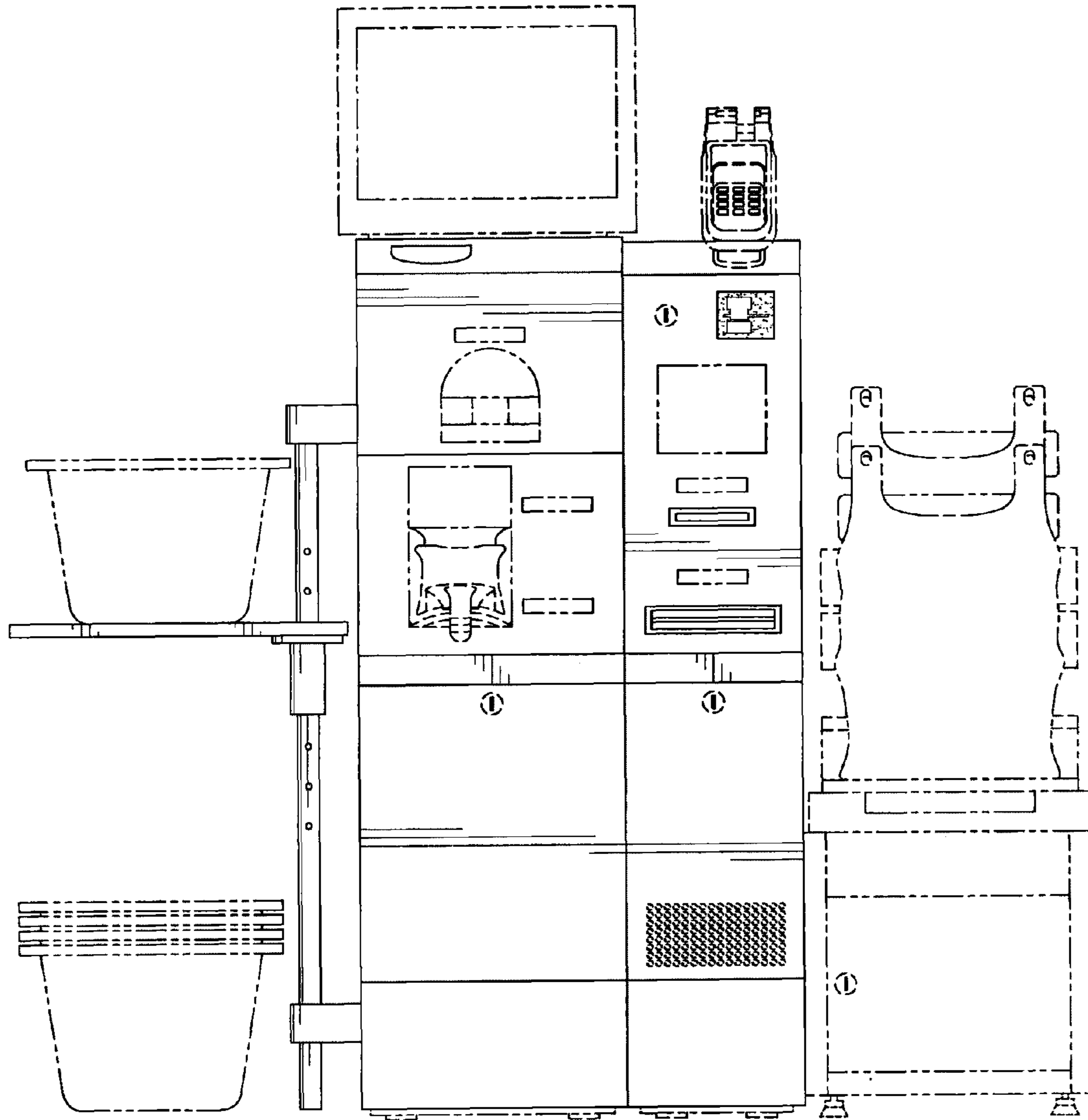


Fig-2

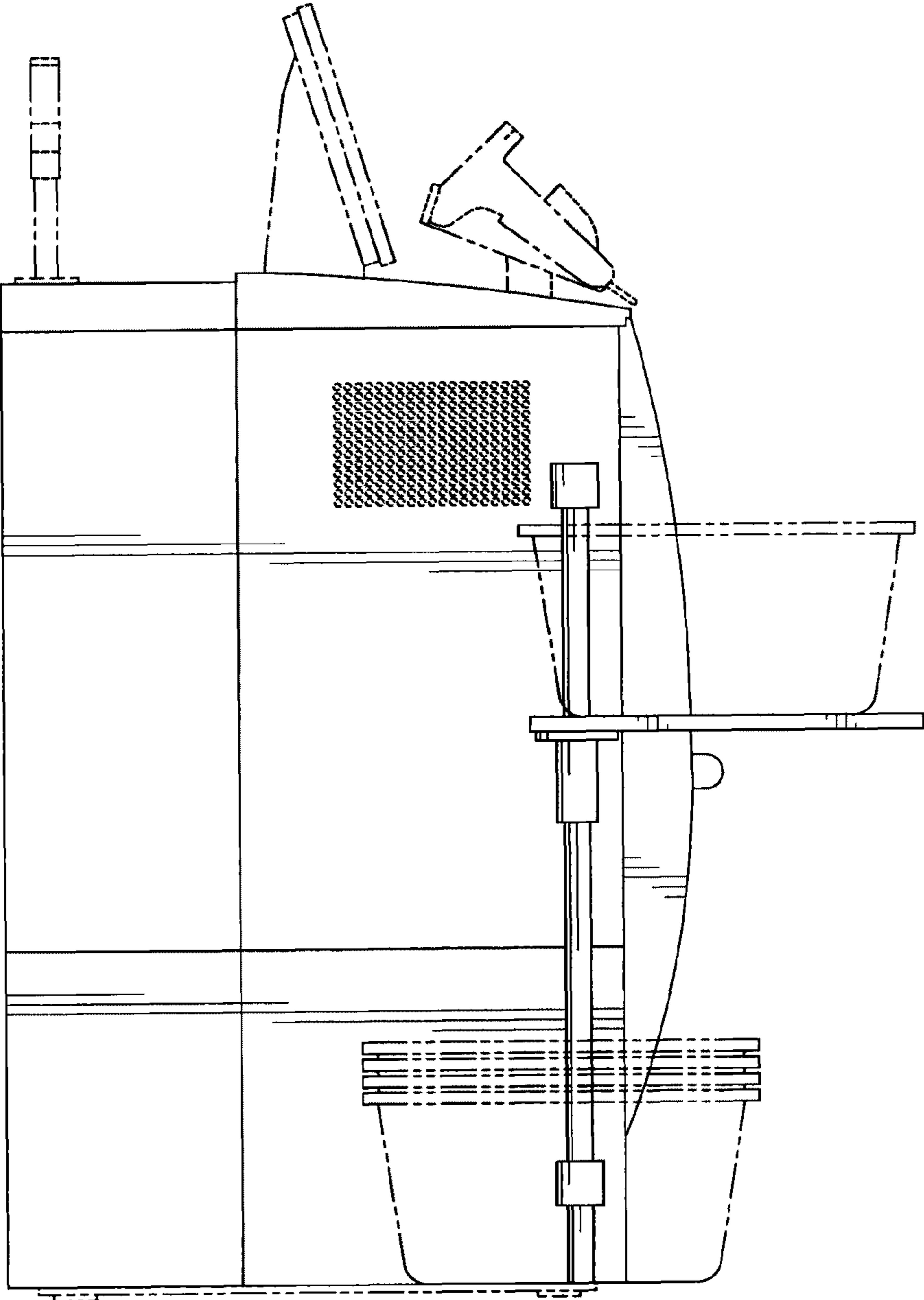


Fig-3