



US00D648952S

(12) **United States Design Patent**  
**Domack et al.**

(10) **Patent No.:** **US D648,952 S**

(45) **Date of Patent:** **\*\* \*Nov. 22, 2011**

(54) **BED**

(75) Inventors: **Randy D. Domack**, Holmen, WI (US);  
**Terry A. Everson**, Blair, WI (US);  
**Craig C. Bacon**, Trempealeau, WI (US)

(73) Assignee: **Ashley Furniture Industries, Inc.**,  
Arcadia, WI (US)

(\*\*) Term: **14 Years**

(21) Appl. No.: **29/383,799**

(22) Filed: **Jan. 21, 2011**

(51) **LOC (9) Cl.** ..... **06-02**

(52) **U.S. Cl.** ..... **D6/393**

(58) **Field of Classification Search** ..... D6/382,  
D6/383, 388, 393-395, 505-508, 503; 5/53.1,  
5/907, 279.1, 280, 281

See application file for complete search history.

(56) **References Cited**

**U.S. PATENT DOCUMENTS**

D106,301 S	*	10/1937	Krick	.....	D6/505
D353,950 S	*	1/1995	Ferguson	.....	D6/393
D400,034 S	*	10/1998	Zaidman	.....	D6/505
D460,288 S		7/2002	Vaaler		
D499,909 S	*	12/2004	Katz et al.	.....	D6/505
D514,350 S		2/2006	Berry et al.		
D517,830 S		3/2006	Peterson et al.		
D526,508 S	*	8/2006	Mohundro	.....	D6/393
D527,925 S		9/2006	Domack et al.		
D543,050 S		5/2007	Mohundro		
D546,577 S		7/2007	Mohundro		
D561,489 S		2/2008	Domack et al.		
D611,723 S		3/2010	Everson		

**OTHER PUBLICATIONS**

Restoration Hardward "St. James Bed", (prior to Jun. 2010), 1 page.  
Ashley Furniture "B485 Bed", (prior to Jun. 2010), 1 page.

\* cited by examiner

*Primary Examiner* — Janice Seeger

(74) *Attorney, Agent, or Firm* — Patterson Thunte  
Christensen Pedersen, P.A.

(57) **CLAIM**

We claim the ornamental design for a bed, as shown and described.

**DESCRIPTION**

FIG. 1 is a perspective view of a bed according to the invention. The perspective view from the adjacent front corner being a mirror image thereto.

FIG. 2 is a front elevational view of a headboard of a bed according to the invention.

FIG. 3 is a top plan view of a headboard of a bed according to the invention.

FIG. 4 is a top plan view of a footboard of a bed according to the invention.

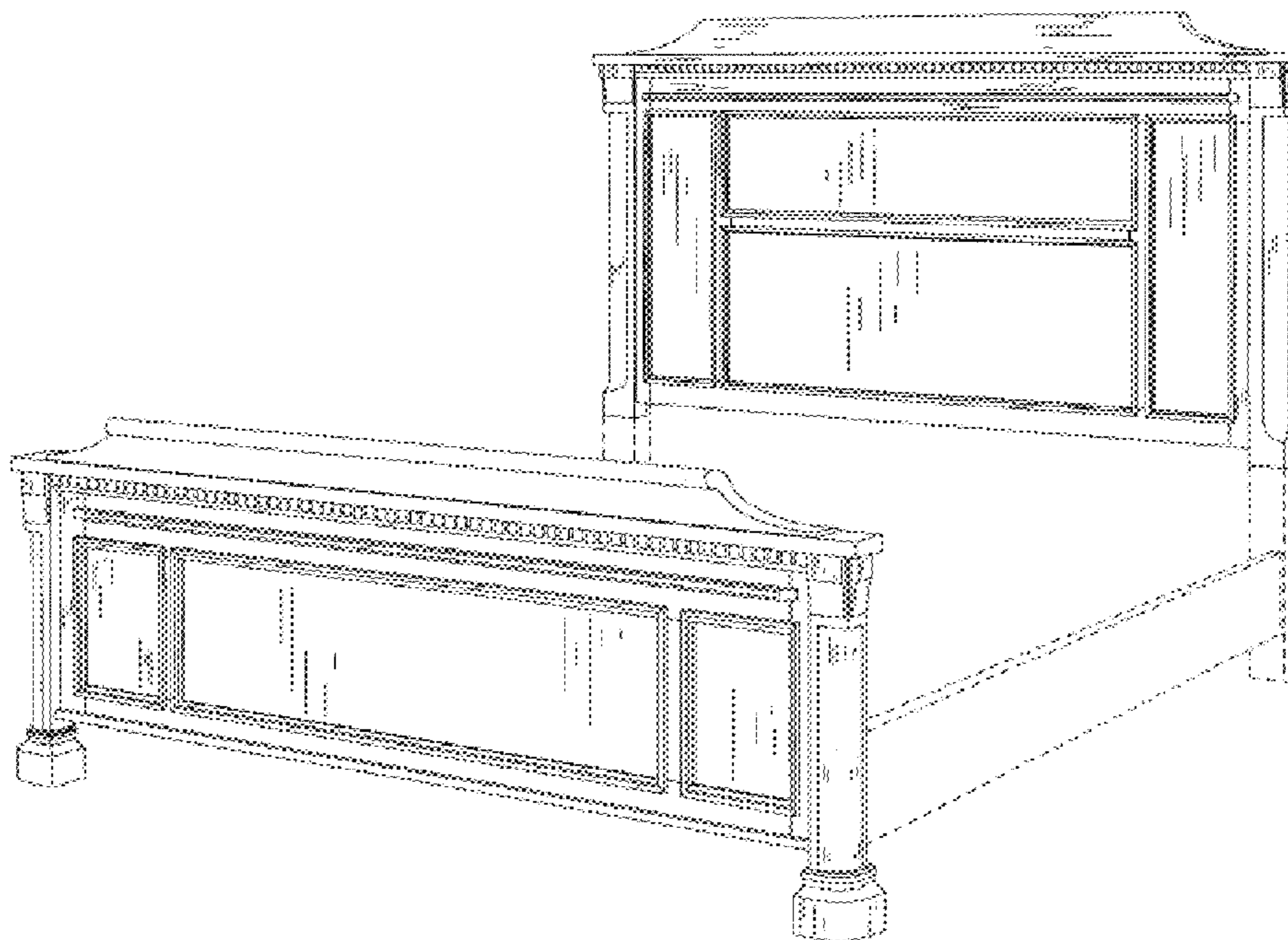
FIG. 5 is a front elevational view of a footboard of a bed according to an embodiment of the invention; and,

FIG. 6 is a side elevational view of a bed according to the invention. The view from the opposite side being a mirror image thereto.

The headboard and footboard are shown separately for clarity of disclosure.

The short, broken lines on the bed in the figures are for illustrative purposes only and form no part of the claimed invention. The backsides of the footboard and headboard are not shown and form no part of the claimed invention.

**1 Claim, 4 Drawing Sheets**



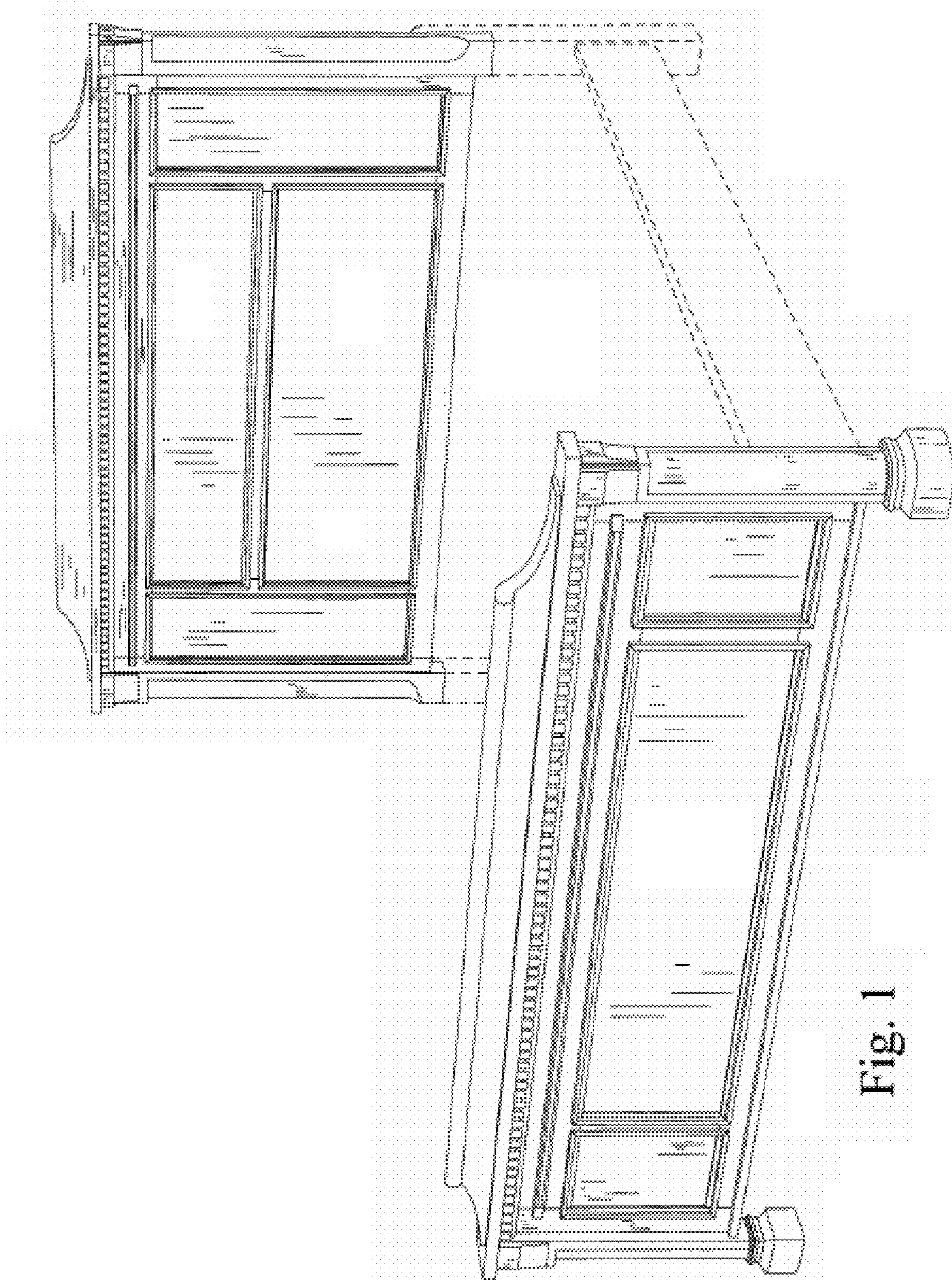


Fig. 1



Fig. 2

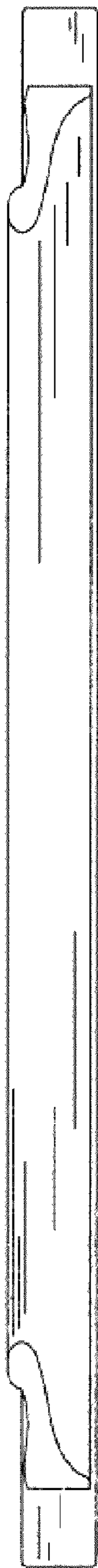


Fig. 3

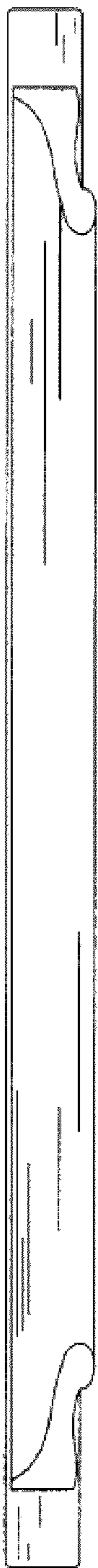


Fig. 4

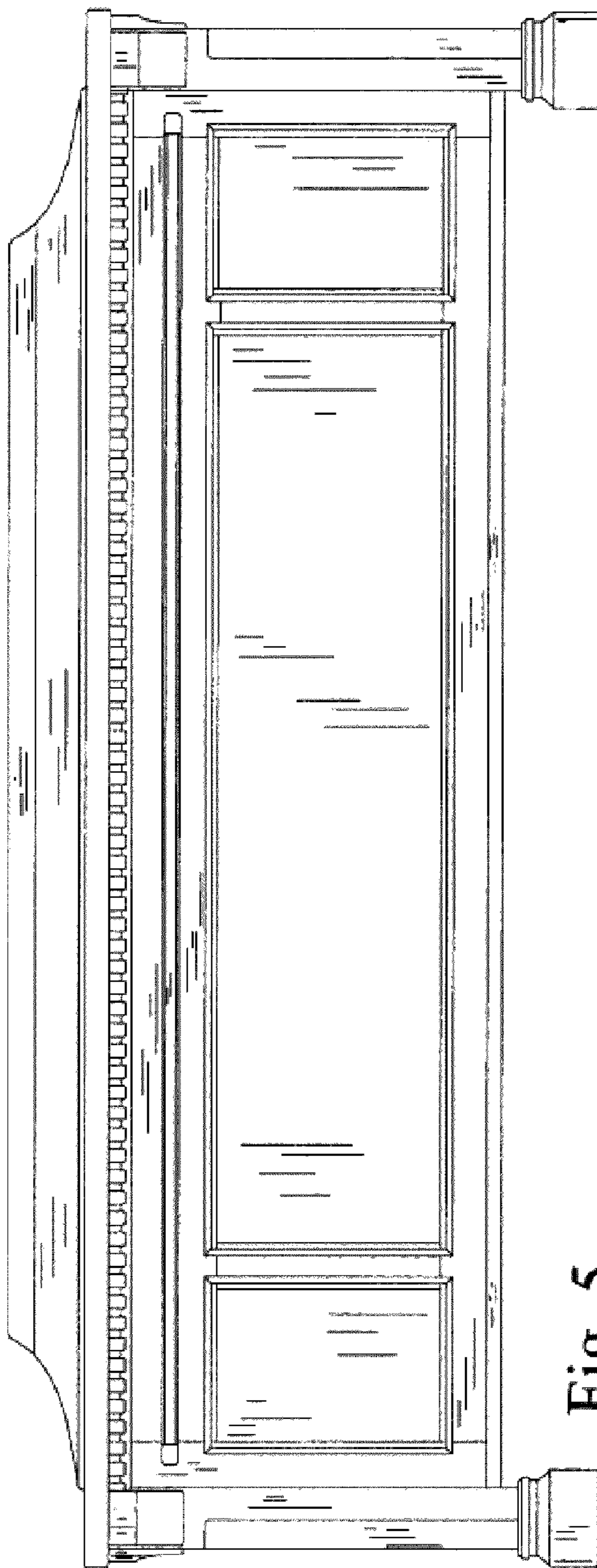


Fig. 5

Fig. 6

