



US00D648950S

(12) **United States Design Patent**  
**Urquiola**

(10) **Patent No.:** **US D648,950 S**

(45) **Date of Patent:** **\*\* Nov. 22, 2011**

(54) **FURNITURE**

(75) **Inventor:** **Patricia Urquiola**, Giussano-Monza  
Brianza (IT)

(73) **Assignee:** **Molteni & C S.p.A.**, Giussano (IT)

(\*\*) **Term:** **14 Years**

(21) **Appl. No.:** **29/345,710**

(22) **Filed:** **Oct. 21, 2009**

(51) **LOC (9) Cl.** ..... **06-01**

(52) **U.S. Cl.** ..... **D6/381**

(58) **Field of Classification Search** ..... D6/334,  
D6/335, 337, 349, 353, 380, 381, 500-502,  
D6/374; 297/14, 43, 44, 118, 140, 245, 300.1,  
297/311, 353, 354.1, 445.1, 446.1, 446.2,  
297/447.4, 465, 900, DIG. 2, DIG. 7; 5/12.1,  
5/12.2

See application file for complete search history.

(56) **References Cited**

**U.S. PATENT DOCUMENTS**

|               |         |                 |       |         |
|---------------|---------|-----------------|-------|---------|
| D158,492 S *  | 5/1950  | Mont            | ..... | D6/336  |
| D169,911 S *  | 6/1953  | Netzer          | ..... | D6/381  |
| D192,913 S *  | 5/1962  | Wilson          | ..... | D6/336  |
| 3,093,410 A * | 6/1963  | Wilson          | ..... | 297/119 |
| D202,339 S *  | 9/1965  | McRee           | ..... | D6/336  |
| D217,963 S *  | 7/1970  | Rozett          | ..... | D6/336  |
| 3,857,120 A * | 12/1974 | Acker           | ..... | 5/12.1  |
| 4,110,855 A * | 9/1978  | Acker           | ..... | 5/45    |
| D312,001 S *  | 11/1990 | Synarski et al. | ..... | D6/336  |
| D327,986 S *  | 7/1992  | Gera            | ..... | D6/335  |
| D443,989 S *  | 6/2001  | Gomez           | ..... | D6/335  |

|              |         |                    |       |        |
|--------------|---------|--------------------|-------|--------|
| D446,962 S * | 8/2001  | Mourgue            | ..... | D6/381 |
| D455,281 S * | 4/2002  | Andersen et al.    | ..... | D6/381 |
| D455,282 S * | 4/2002  | Andersen et al.    | ..... | D6/381 |
| D511,422 S * | 11/2005 | Nastri             | ..... | D6/381 |
| D583,585 S * | 12/2008 | Weiss              | ..... | D6/381 |
| D587,028 S * | 2/2009  | Mourgue            | ..... | D6/381 |
| D587,029 S * | 2/2009  | Mourgue            | ..... | D6/381 |
| D588,827 S * | 3/2009  | Mourgue            | ..... | D6/381 |
| D603,617 S * | 11/2009 | Weiss              | ..... | D6/381 |
| D603,618 S * | 11/2009 | Weiss              | ..... | D6/381 |
| D603,619 S * | 11/2009 | Weiss              | ..... | D6/381 |
| D614,419 S * | 4/2010  | Andersen           | ..... | D6/381 |
| D615,766 S * | 5/2010  | Andersen           | ..... | D6/381 |
| D615,767 S * | 5/2010  | Griepentrog et al. | ..... | D6/381 |
| D616,215 S * | 5/2010  | Andersen           | ..... | D6/381 |
| D617,571 S * | 6/2010  | Andersen           | ..... | D6/381 |
| D618,007 S * | 6/2010  | Andersen           | ..... | D6/381 |
| D618,929 S * | 7/2010  | Yeong              | ..... | D6/381 |

\* cited by examiner

*Primary Examiner* — Sandra Snapp

(74) *Attorney, Agent, or Firm* — Shoemaker and Mattare

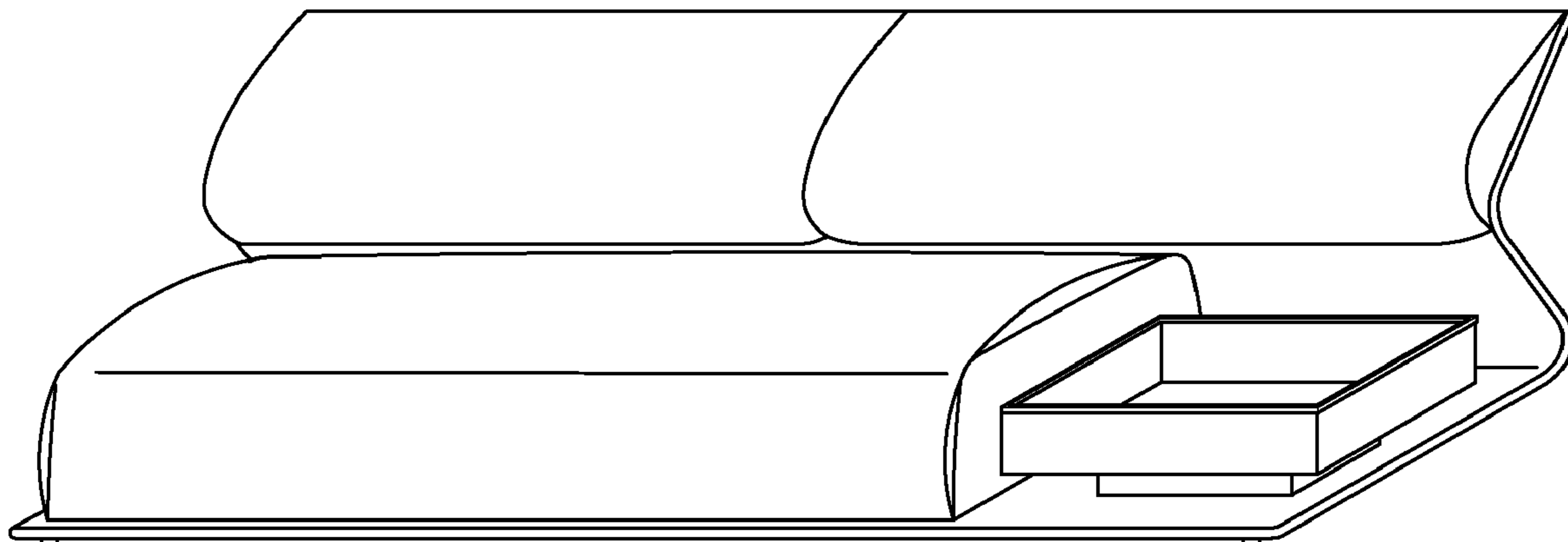
(57) **CLAIM**

The ornamental design for a furniture, as shown and described.

**DESCRIPTION**

FIG. 1 is a perspective view of a furniture, showing my new design from the top, front and left side;  
FIG. 2 is a perspective view thereof, from the top, rear and left side;  
FIG. 3 is a front elevational view thereof;  
FIG. 4 is a top plan view thereof; and,  
FIG. 5 is a right side elevational view thereof.

**1 Claim, 5 Drawing Sheets**



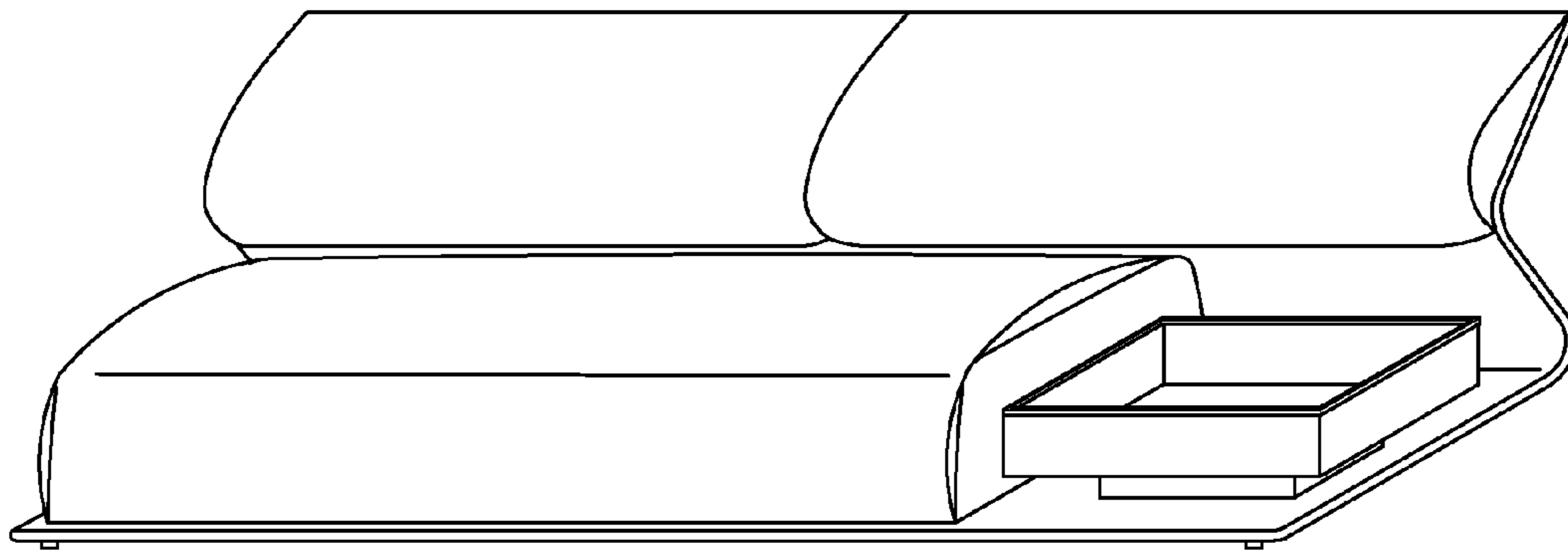


FIG. 1

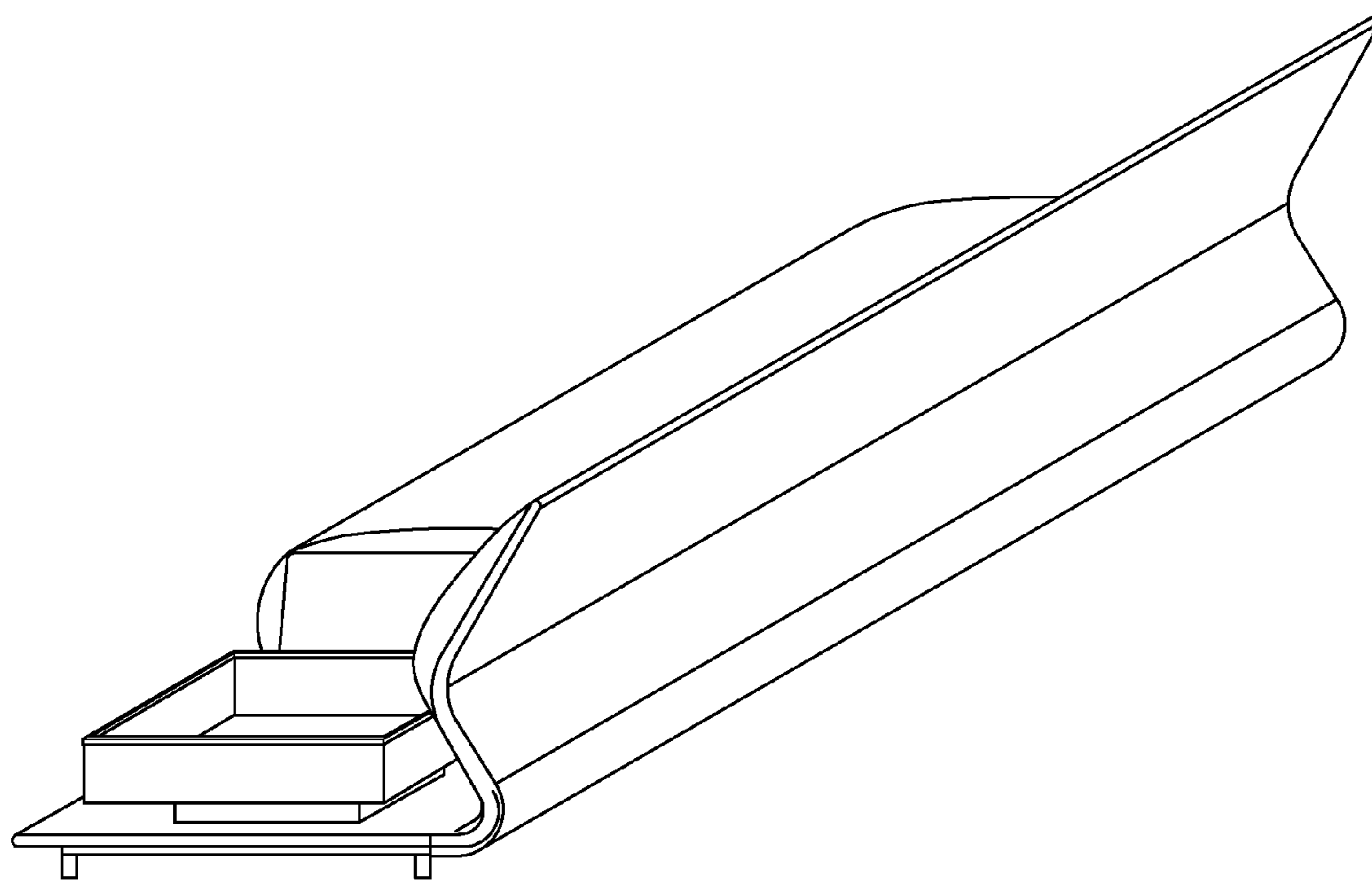


FIG. 2

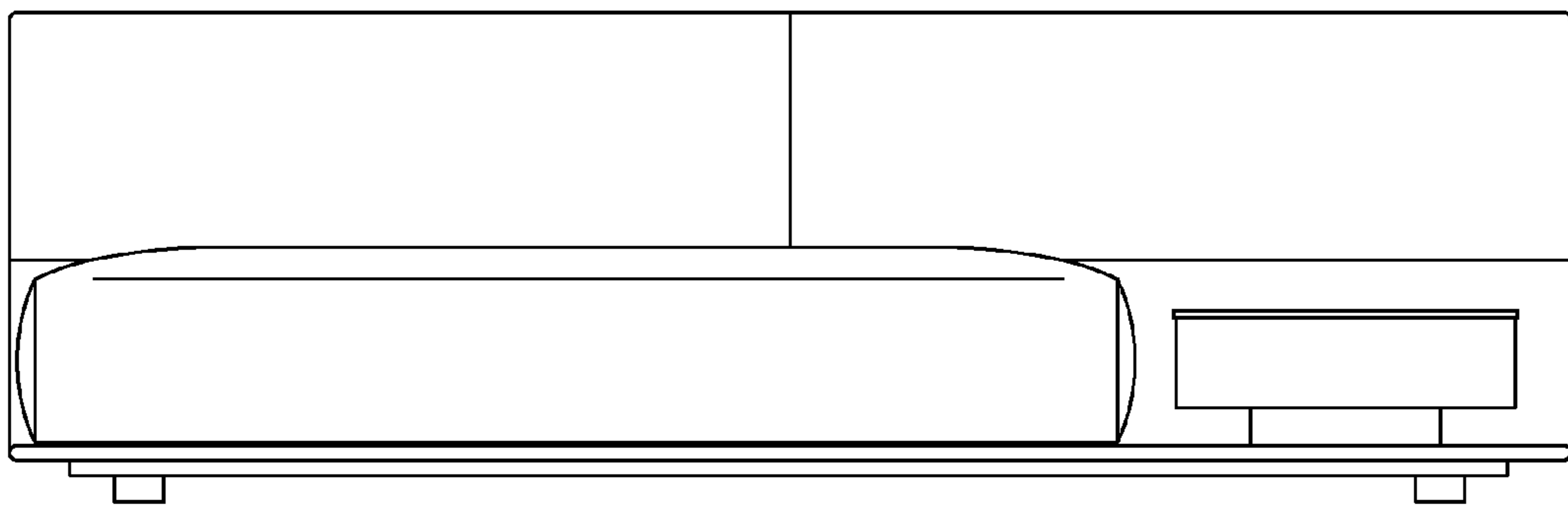


FIG. 3

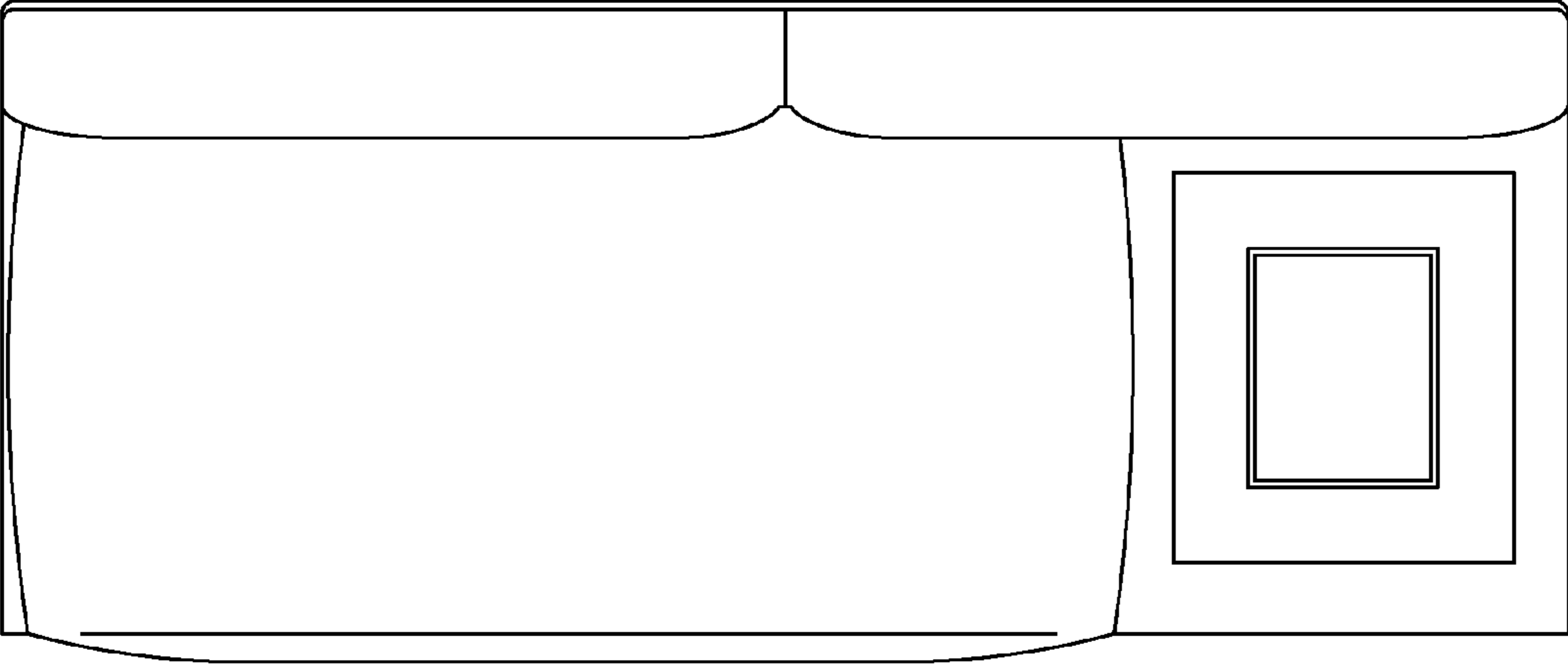


FIG. 4

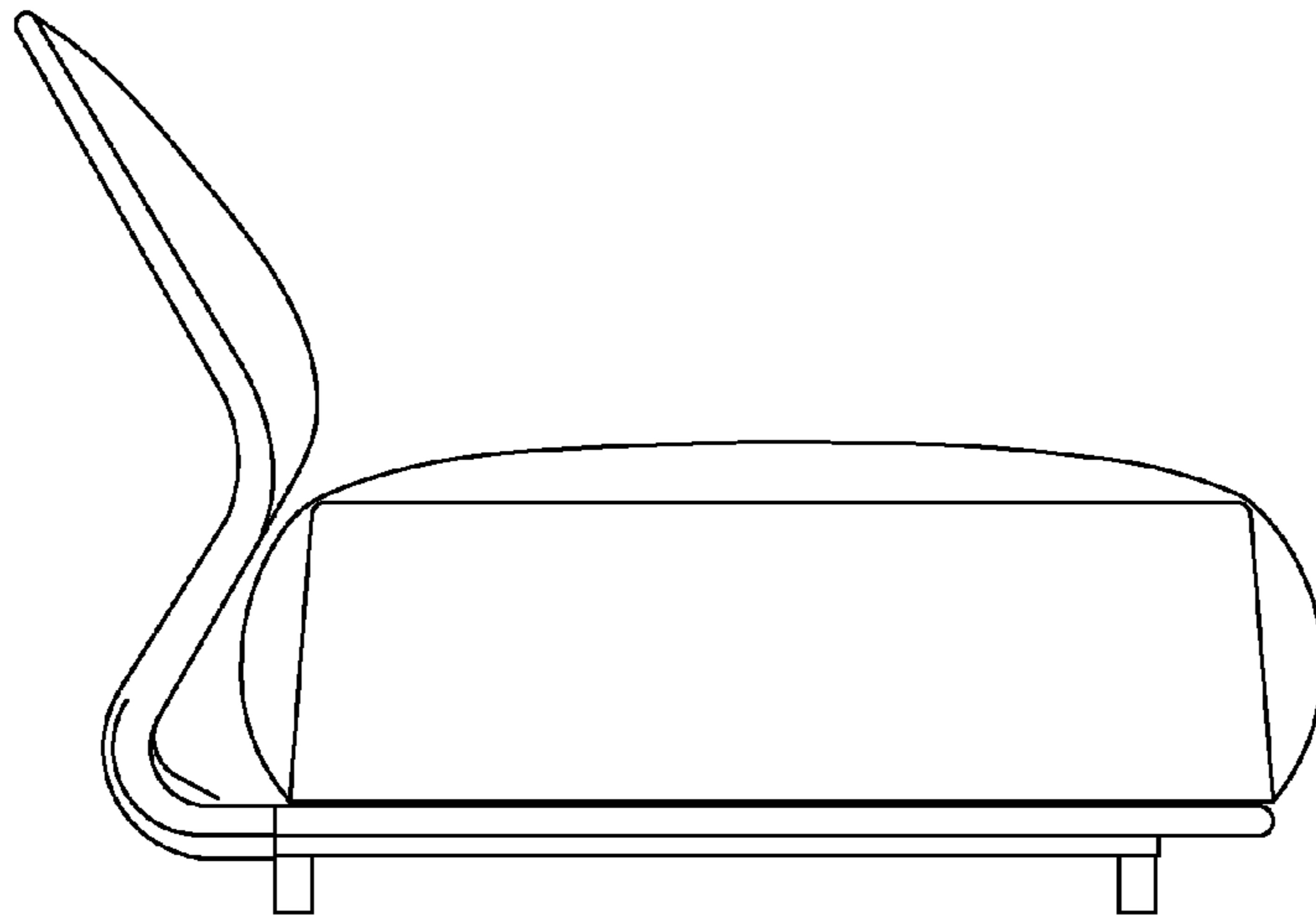


FIG. 5