



US00D648949S

(12) **United States Design Patent**  
**LeRoy**

(10) **Patent No.:** **US D648,949 S**

(45) **Date of Patent:** **\*\* Nov. 22, 2011**

(54) **CHAIR**

(75) Inventor: **Timothy M. LeRoy**, Birmingham, AL (US)

(73) Assignee: **Peak Season, Inc.**, Irondale, AL (US)

(\*\*) Term: **14 Years**

(21) Appl. No.: **29/364,839**

(22) Filed: **Jun. 29, 2010**

(51) **LOC (9) Cl.** ..... **06-01**

(52) **U.S. Cl.** ..... **D6/379; D6/380**

(58) **Field of Classification Search** ..... D6/334-336,  
D6/358-381, 500-502; 297/411.2, 411.27,  
297/411.28, 445.1, 446.1

See application file for complete search history.

(56) **References Cited**

**U.S. PATENT DOCUMENTS**

|            |   |         |          |       |        |
|------------|---|---------|----------|-------|--------|
| D84,514 S  | * | 6/1931  | Brown    | ..... | D6/379 |
| D88,663 S  | * | 12/1932 | McLaurin | ..... | D6/379 |
| D258,102 S | * | 2/1981  | Rocchia  | ..... | D6/358 |
| D369,919 S | * | 5/1996  | Lenger   | ..... | D6/370 |
| D451,694 S | * | 12/2001 | Vaaler   | ..... | D6/379 |
| D459,905 S | * | 7/2002  | Stanton  | ..... | D6/379 |
| D459,906 S | * | 7/2002  | Stanton  | ..... | D6/379 |

|            |   |         |                 |       |        |
|------------|---|---------|-----------------|-------|--------|
| D481,881 S | * | 11/2003 | McDaniel et al. | ..... | D6/379 |
| D486,005 S | * | 2/2004  | Risdon et al.   | ..... | D6/379 |
| D576,409 S | * | 9/2008  | Schmitt         | ..... | D6/334 |
| D590,619 S | * | 4/2009  | Schmitt         | ..... | D6/379 |
| D592,875 S | * | 5/2009  | Schmitt         | ..... | D6/379 |
| D610,828 S | * | 3/2010  | Schmitt         | ..... | D6/379 |

\* cited by examiner

*Primary Examiner* — Ricky Pham

(74) *Attorney, Agent, or Firm* — C. Brandon Browning;  
Maynard Cooper & Gale, PC

(57) **CLAIM**

The ornamental design for a chair, as shown and described.

**DESCRIPTION**

FIG. 1 is a front perspective view of a chair in accordance with the present invention.

FIG. 2 is a left side elevational view of the chair of FIG. 1.

FIG. 3 is a right side elevational view of the chair of FIG. 1.

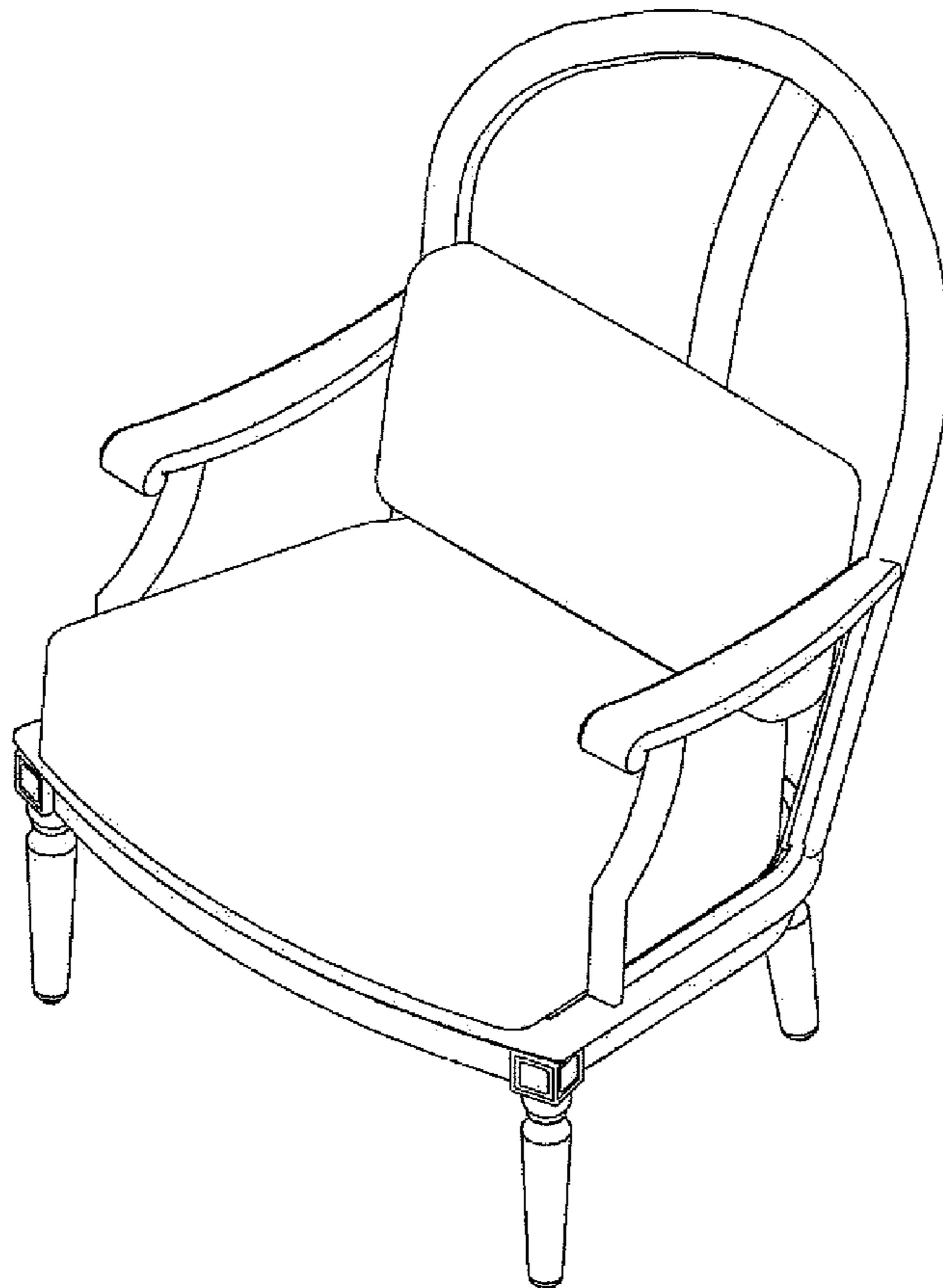
FIG. 4 is a front elevational view of the chair of FIG. 1.

FIG. 5 is a rear elevational view of the chair of FIG. 1.

FIG. 6 is a bottom plan view of the chair of FIG. 1; and,

FIG. 7 is a top plan view of the chair of FIG. 1.

**1 Claim, 4 Drawing Sheets**



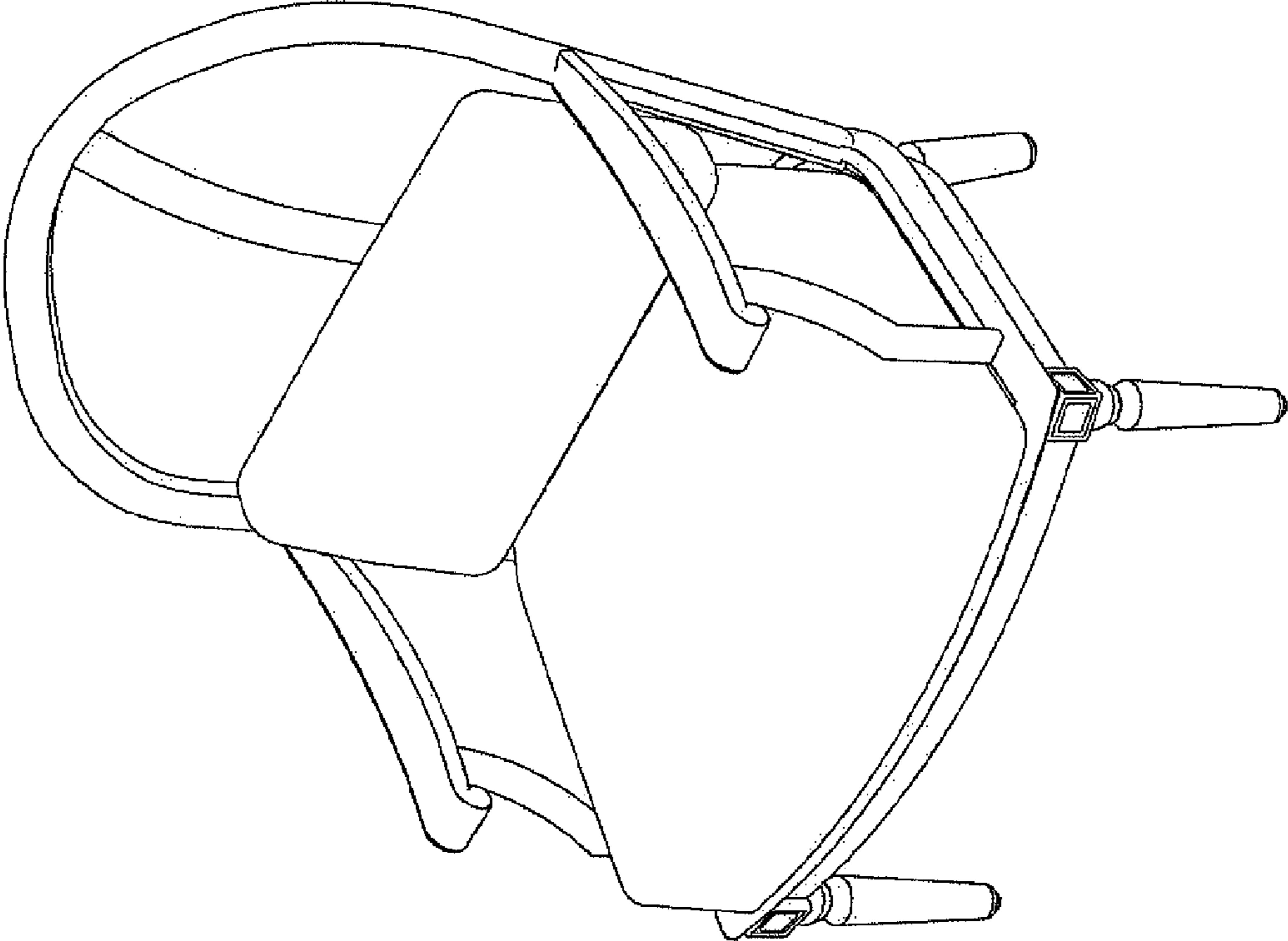


Figure 1

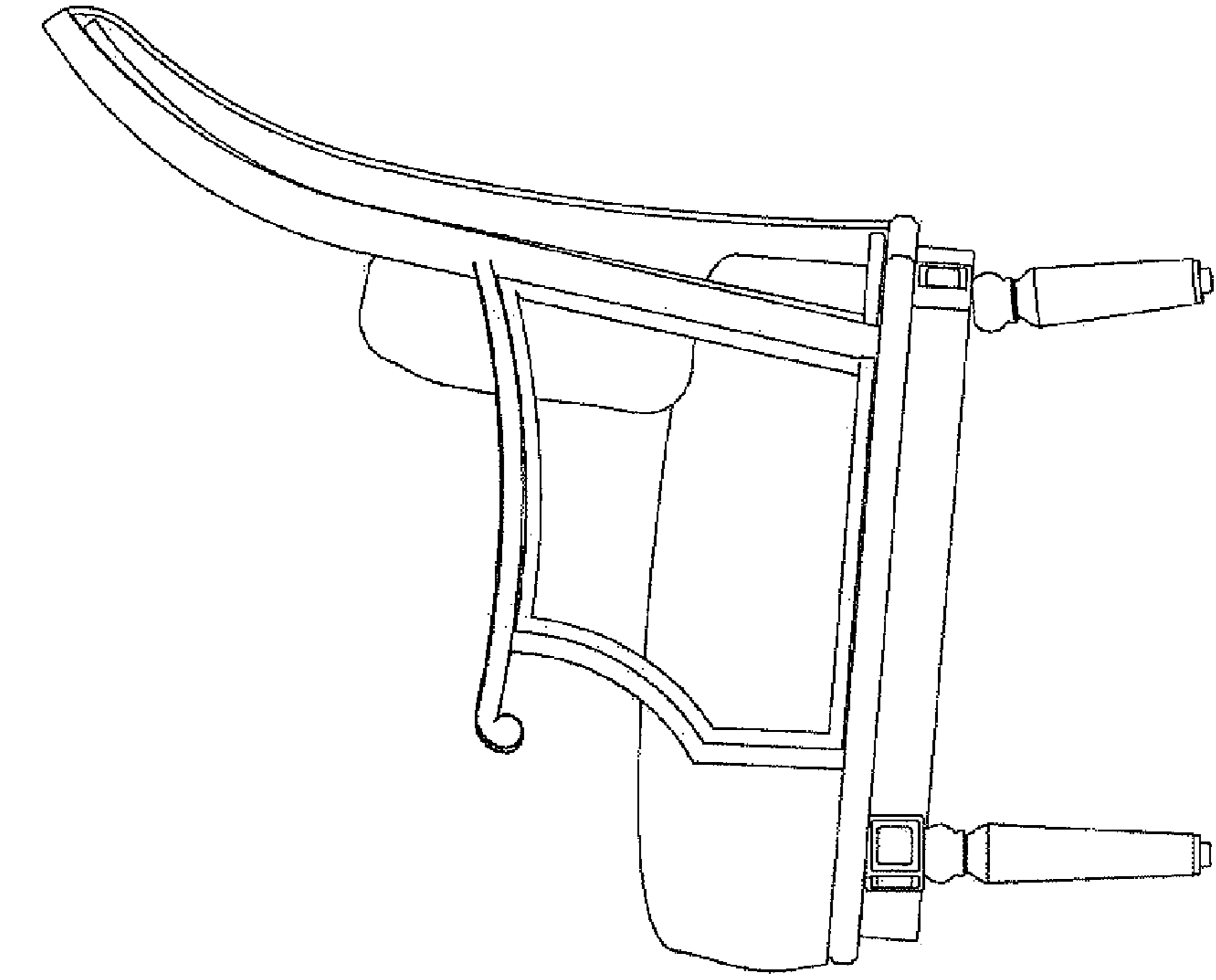


Figure 3

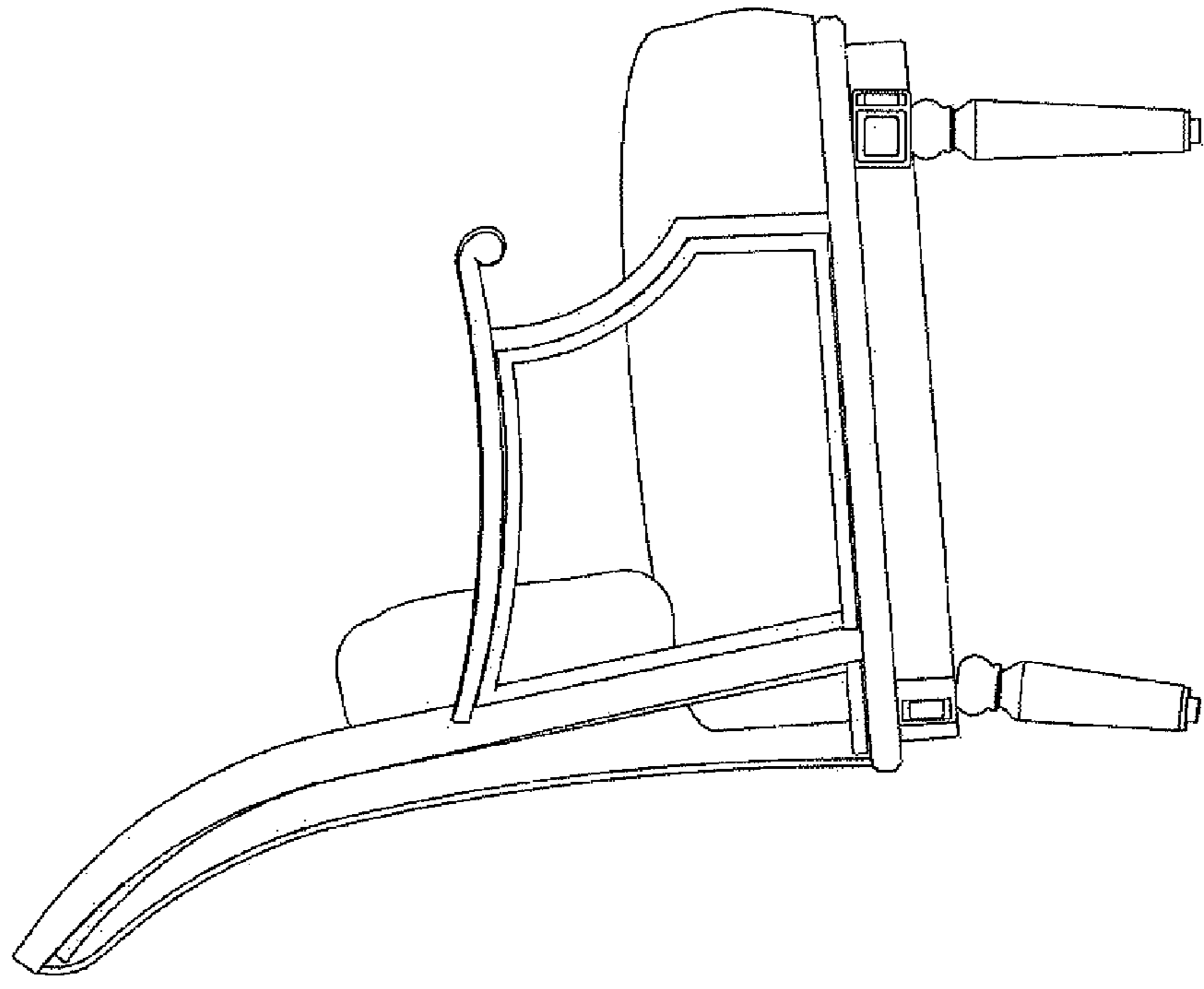


Figure 2

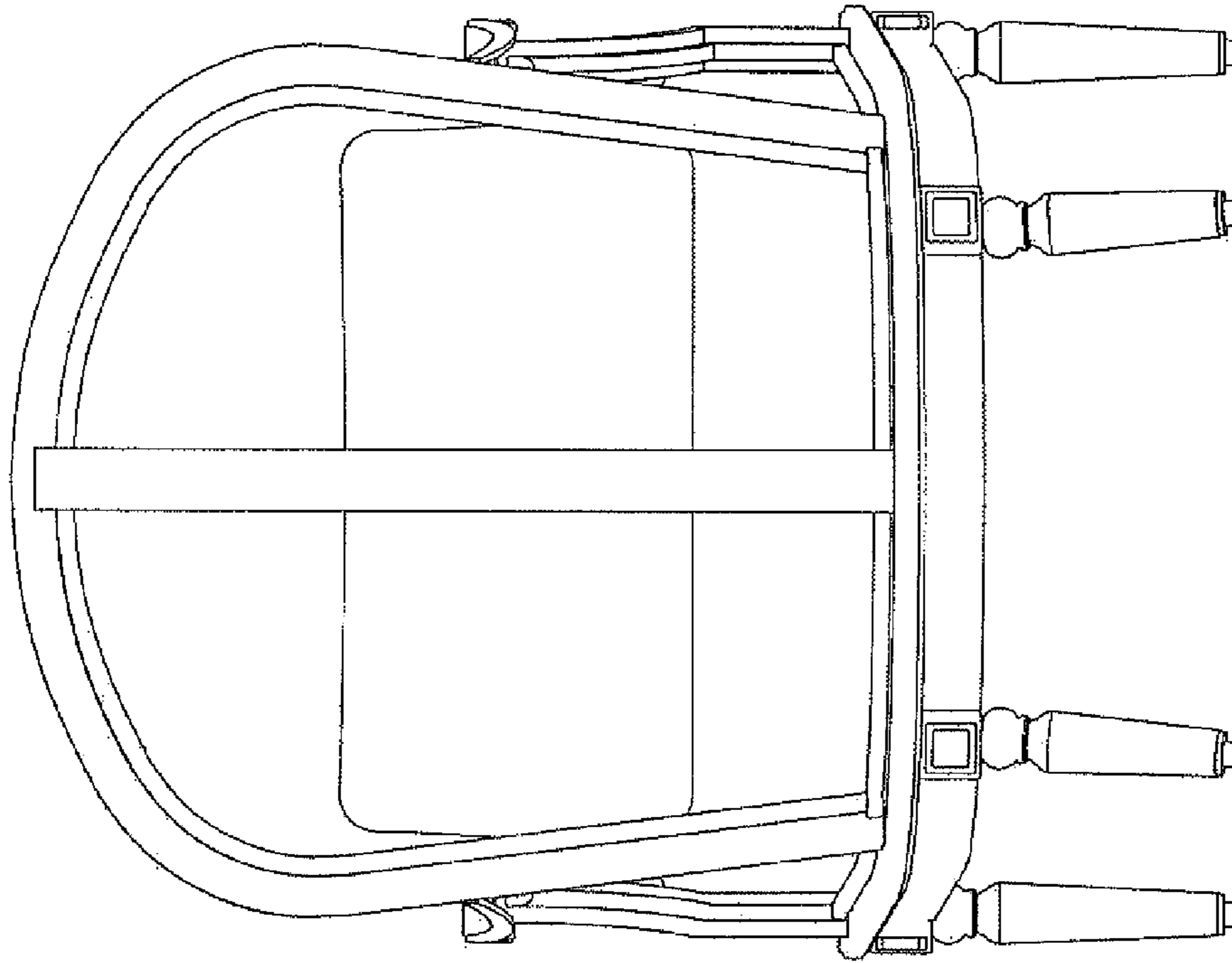


Figure 5

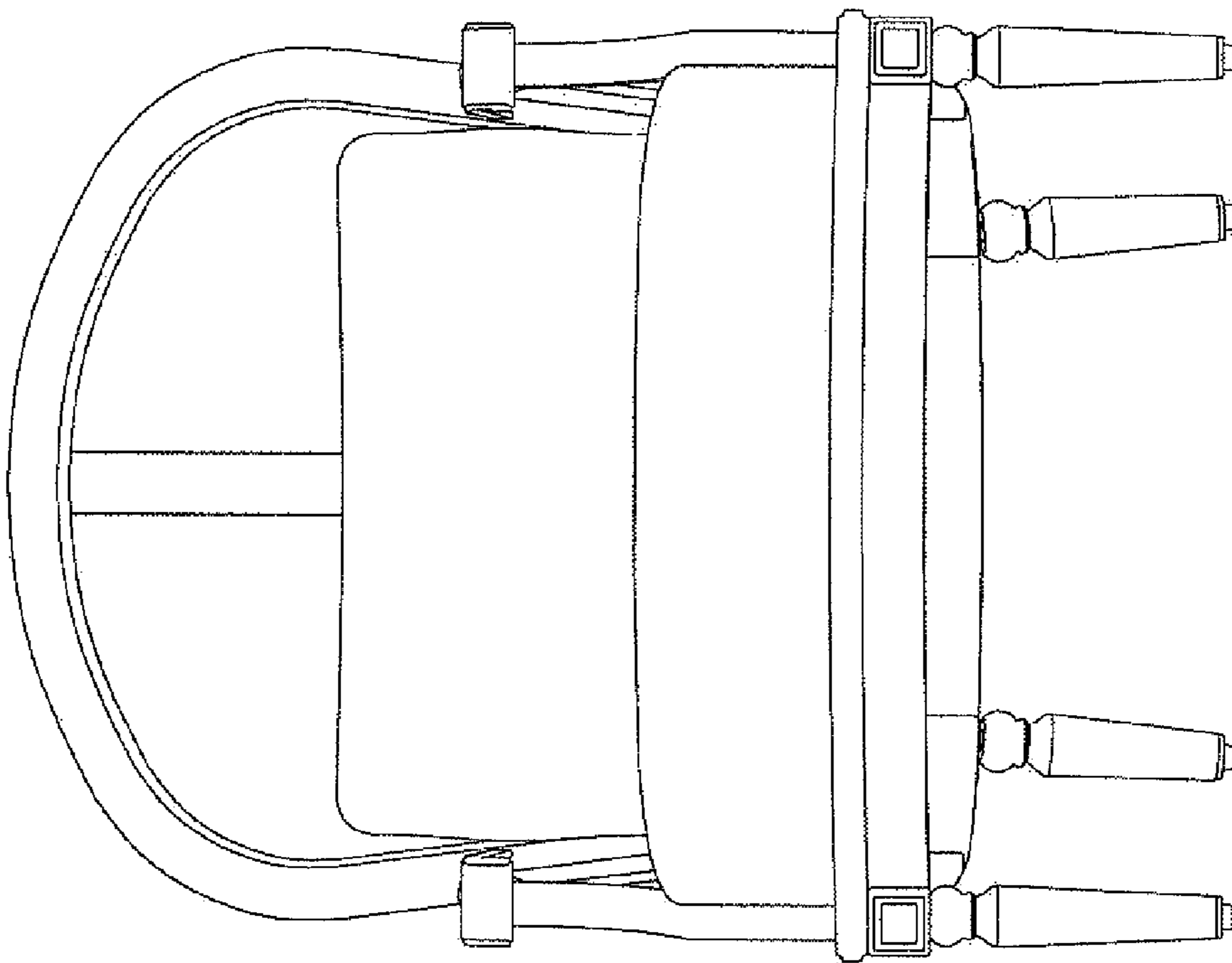


Figure 4

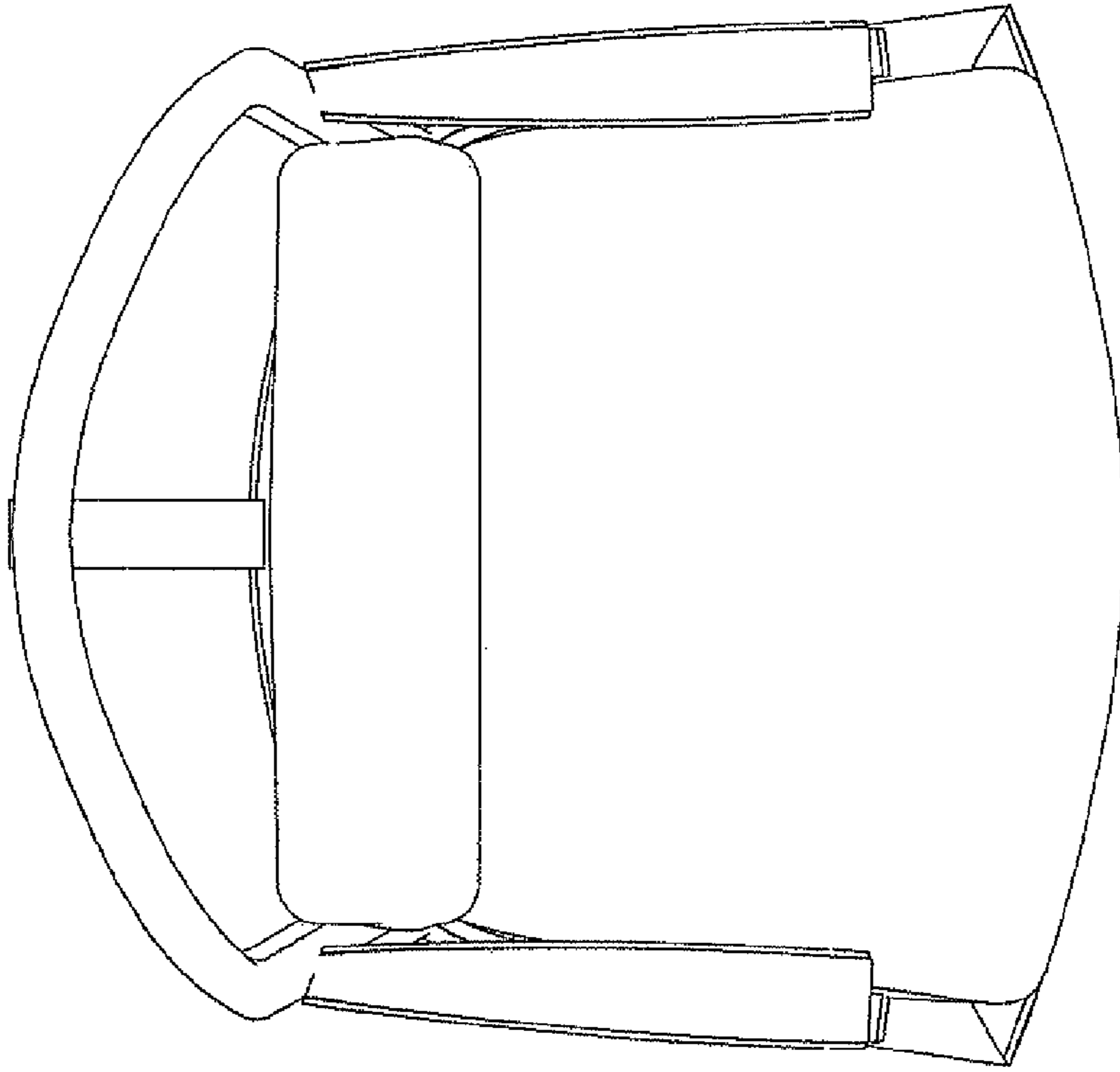


Figure 7

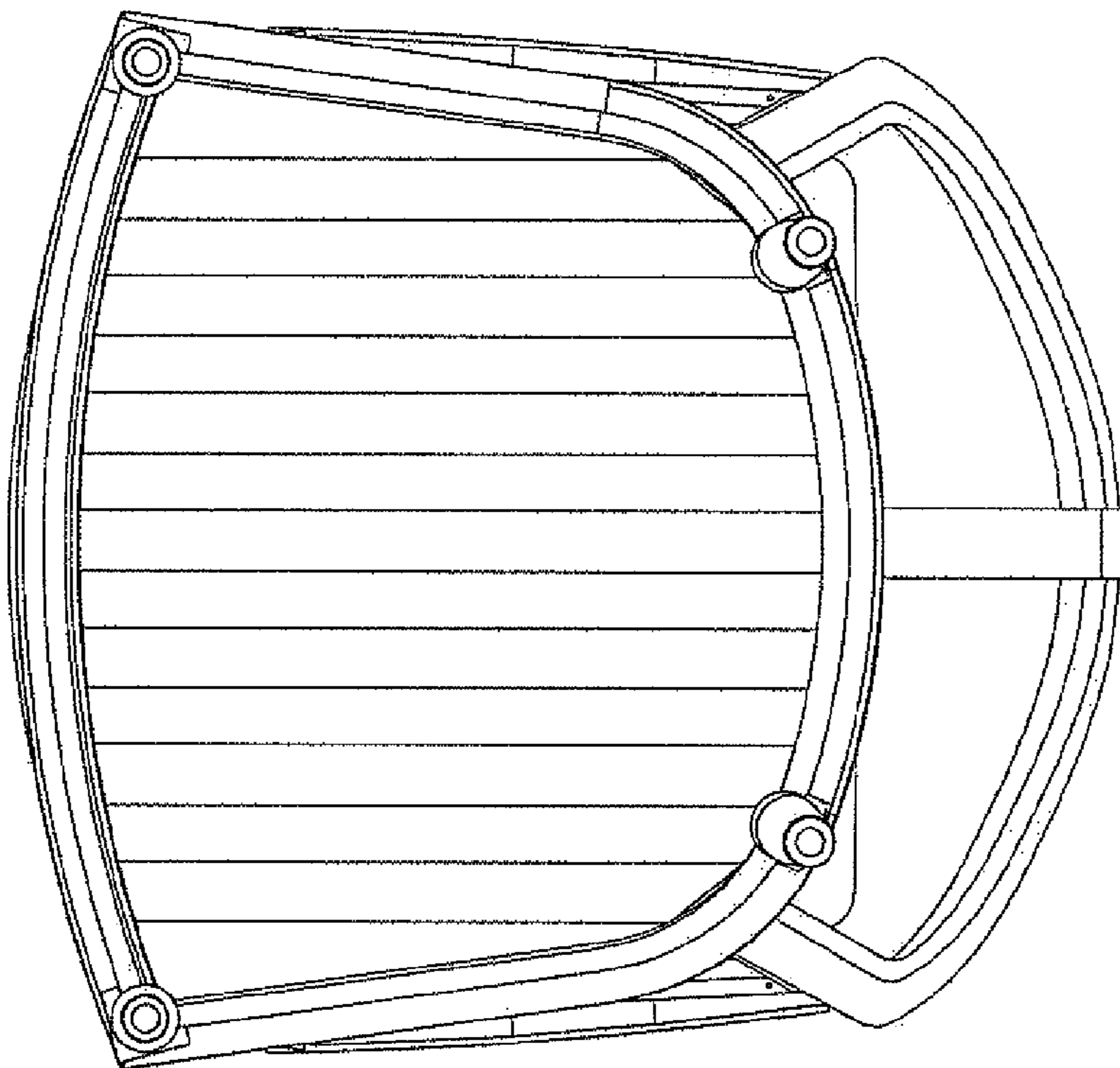


Figure 6