



US00D648948S

(12) **United States Design Patent**
Sempe

(10) **Patent No.:** **US D648,948 S**

(45) **Date of Patent:** **** Nov. 22, 2011**

- (54) **SOFA**
- (75) Inventor: **Inga Sempe, Paris (FR)**
- (73) Assignee: **Roset S.A. (FR)**
- (**) Term: **14 Years**
- (21) Appl. No.: **29/385,393**
- (22) Filed: **Feb. 14, 2011**

D299,596 S *	1/1989	Friedman	D6/381
D385,122 S *	10/1997	Hutton	D6/381
D446,962 S *	8/2001	Mourgue	D6/381
D485,086 S *	1/2004	Gomez	D6/381
D498,075 S *	11/2004	Mourgue	D6/381
D540,561 S *	4/2007	Lewis	D6/381
D577,506 S *	9/2008	Natuzzi	D6/381
D610,366 S *	2/2010	Kanhasamy	D6/381
D616,664 S *	6/2010	Natuzzi	D6/381
D617,112 S *	6/2010	Tsai	D6/381
D635,792 S *	4/2011	Kanhasamy	D6/381

* cited by examiner

Related U.S. Application Data

- (62) Division of application No. 29/364,300, filed on Jun. 22, 2010.

Primary Examiner — Elizabeth Albert

Assistant Examiner — Kelley Donnelly

(74) *Attorney, Agent, or Firm* — Cantor Colburn LLP

(30) **Foreign Application Priority Data**

Dec. 22, 2009 (WO) DM/072 888

(51) **LOC (9) Cl.** **06-01**

(52) **U.S. Cl.** **D6/375**

(58) **Field of Classification Search** D6/334–335,
D6/355, 361, 367–368, 370–375, 379–383,
D6/500–502; 297/445.1, 446.1, 448.1–448.2,
297/452.12, 452.48; 5/12.1–12.2, 45
See application file for complete search history.

(57) **CLAIM**

I claim the ornamental design for a sofa, as shown and described.

DESCRIPTION

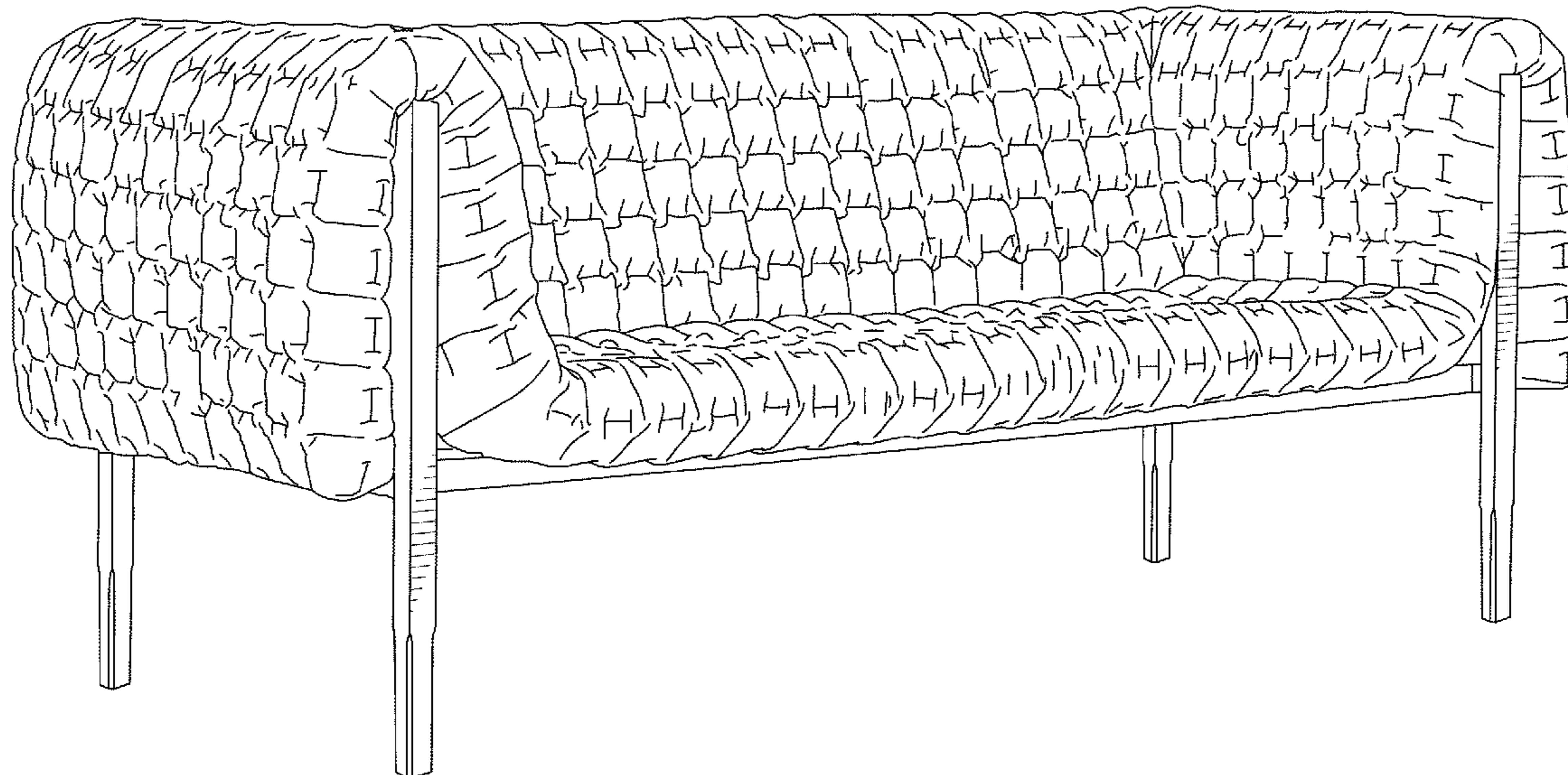
FIG. 1 is a front perspective view of a sofa, showing my new design;
FIG. 2 is a rear perspective view thereof;
FIG. 3 is a front elevation view thereof;
FIG. 4 is a rear elevation view thereof;
FIG. 5 is a top plan view thereof; and,
FIG. 6 is a side view thereof, the opposite side view being a mirror image hereof.

(56) **References Cited**

U.S. PATENT DOCUMENTS

D170,088 S *	7/1953	Hoffman	D6/381
D271,446 S *	11/1983	Long	D6/381

1 Claim, 6 Drawing Sheets



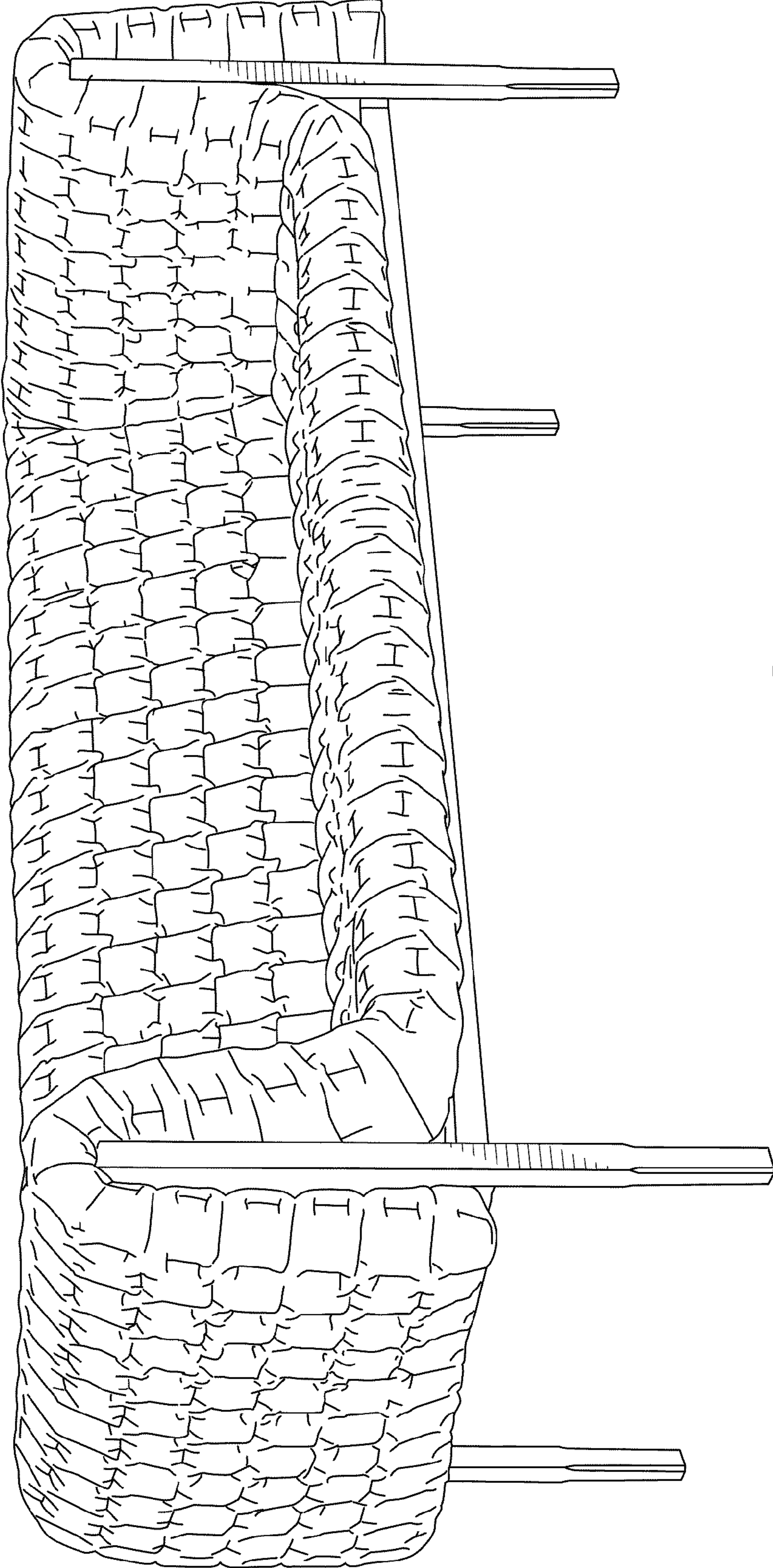


FIG. 1

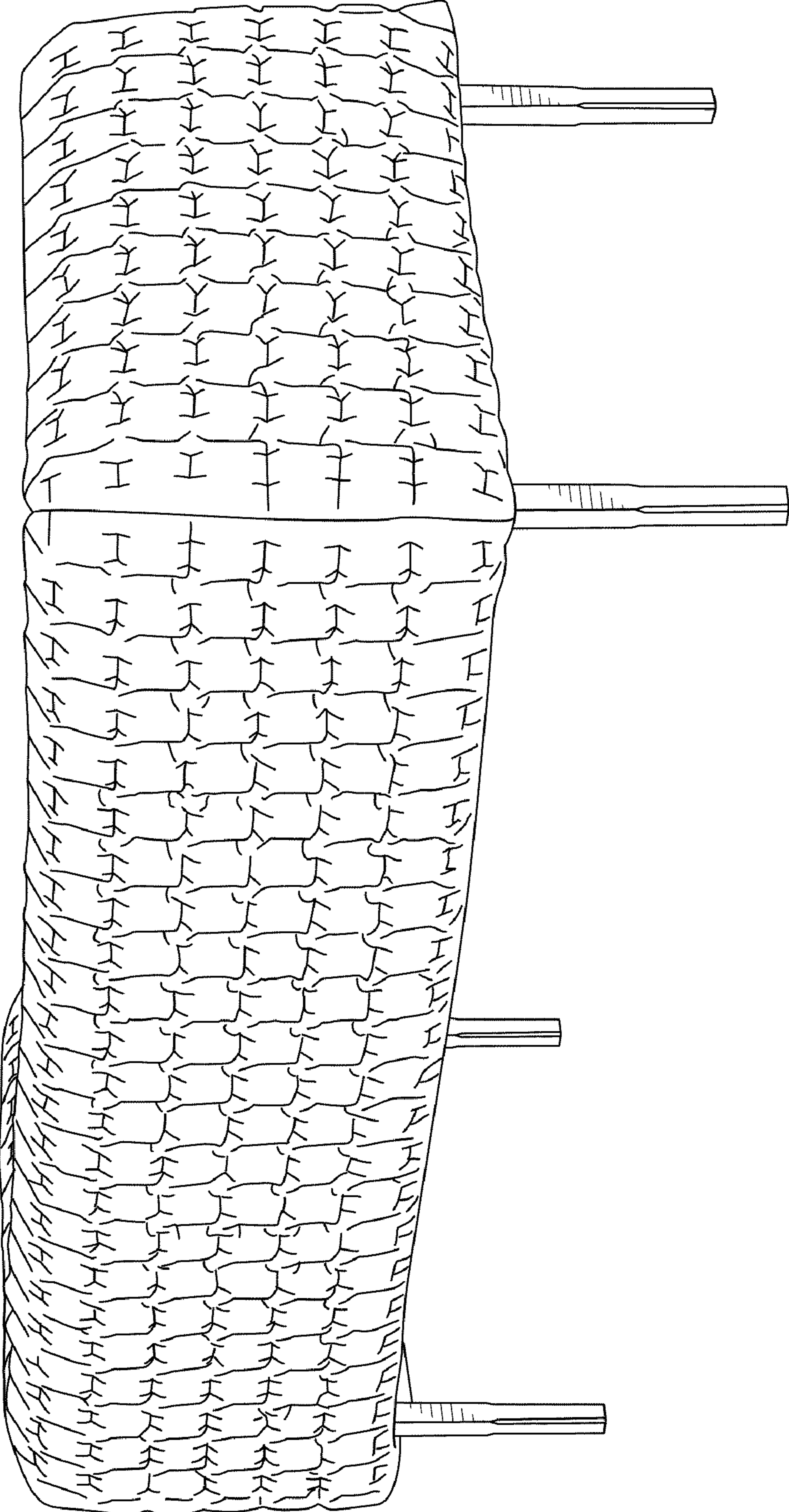


FIG. 2

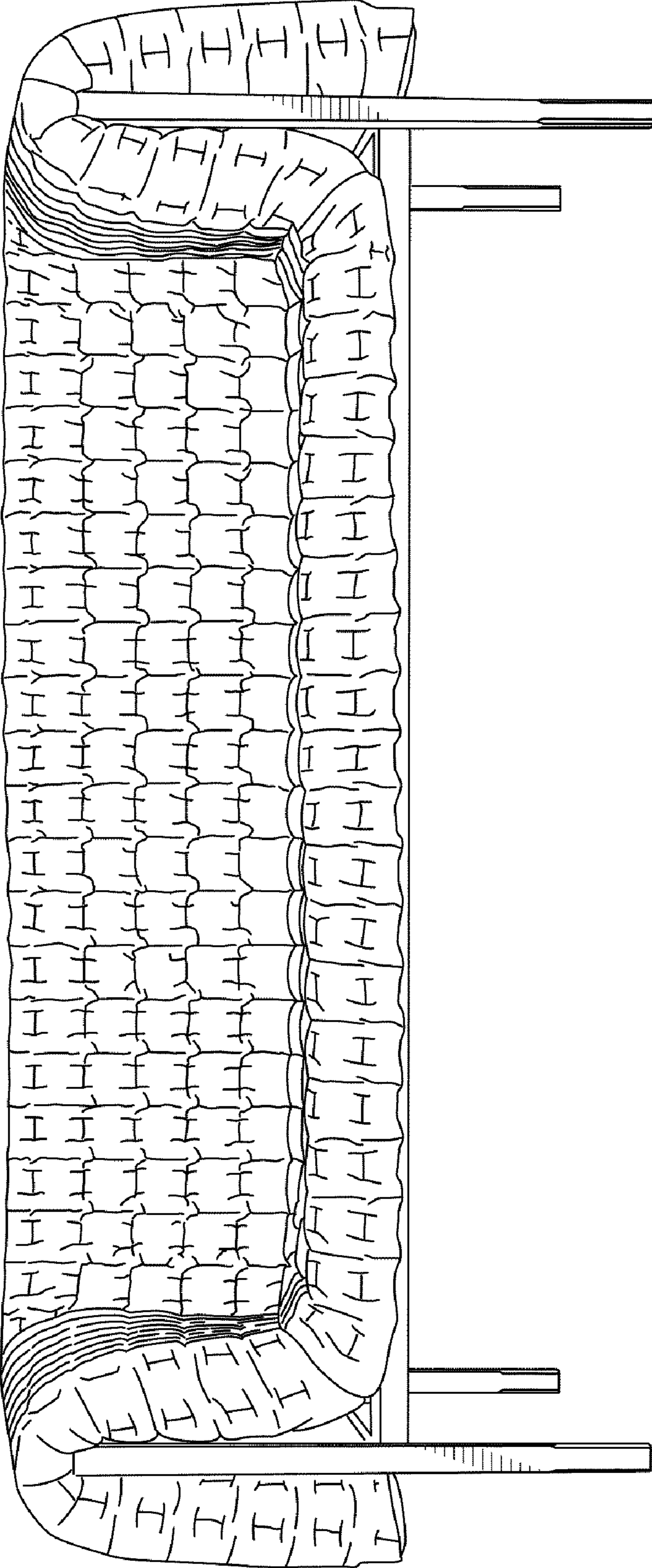


FIG. 3

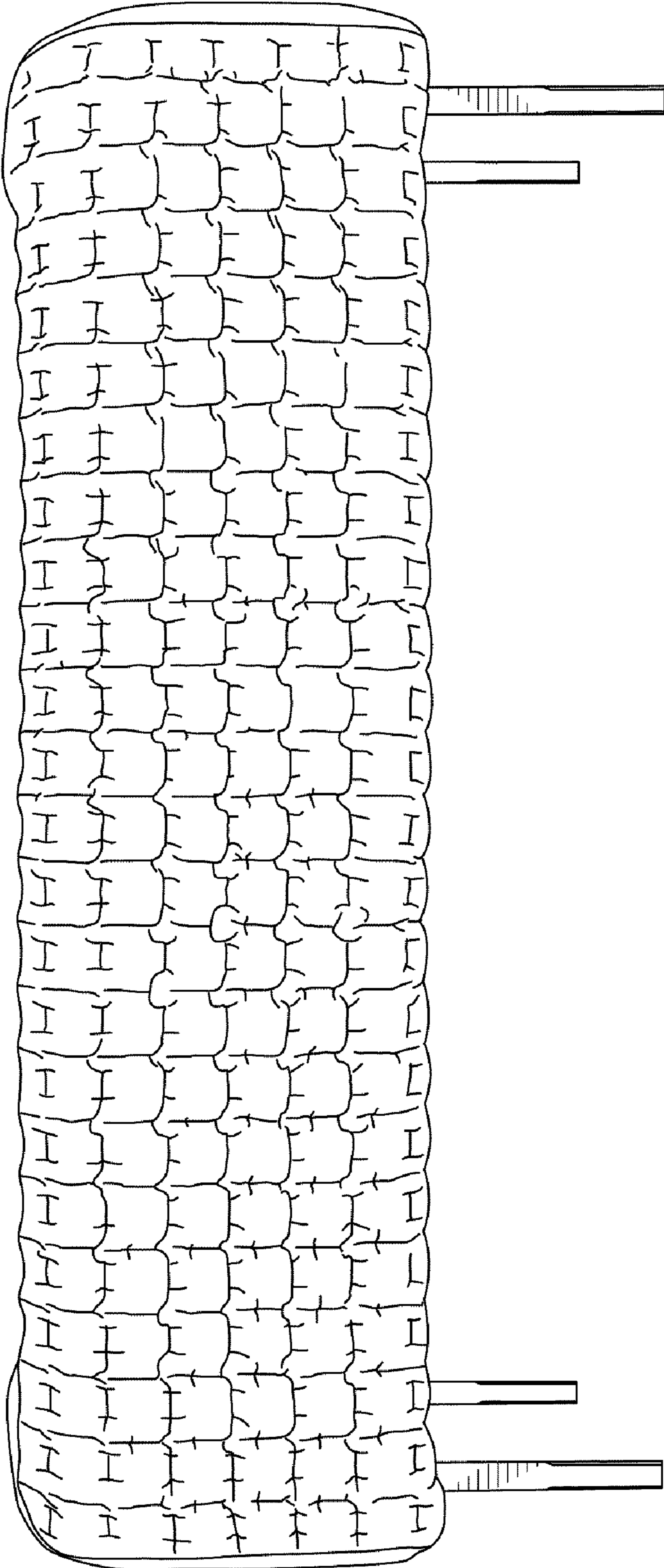


FIG. 4

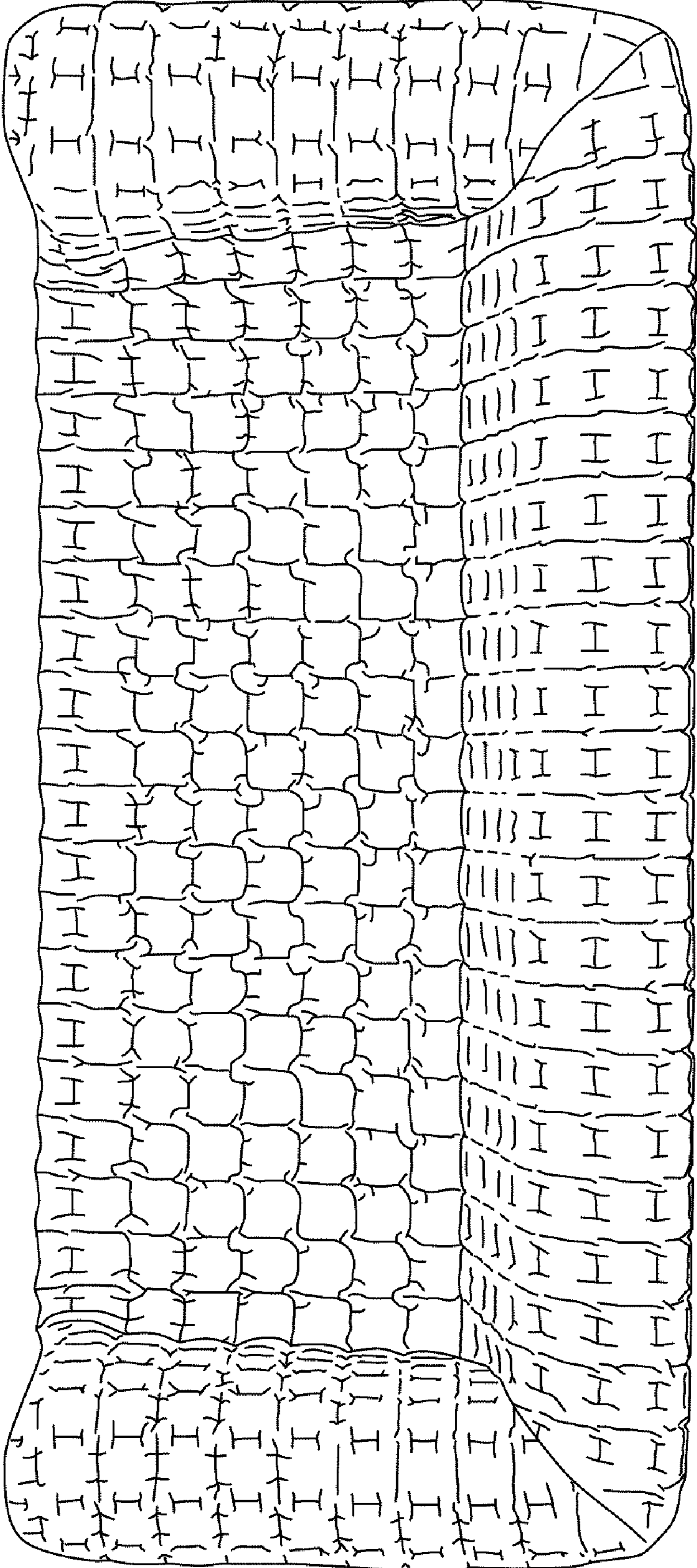


FIG. 5

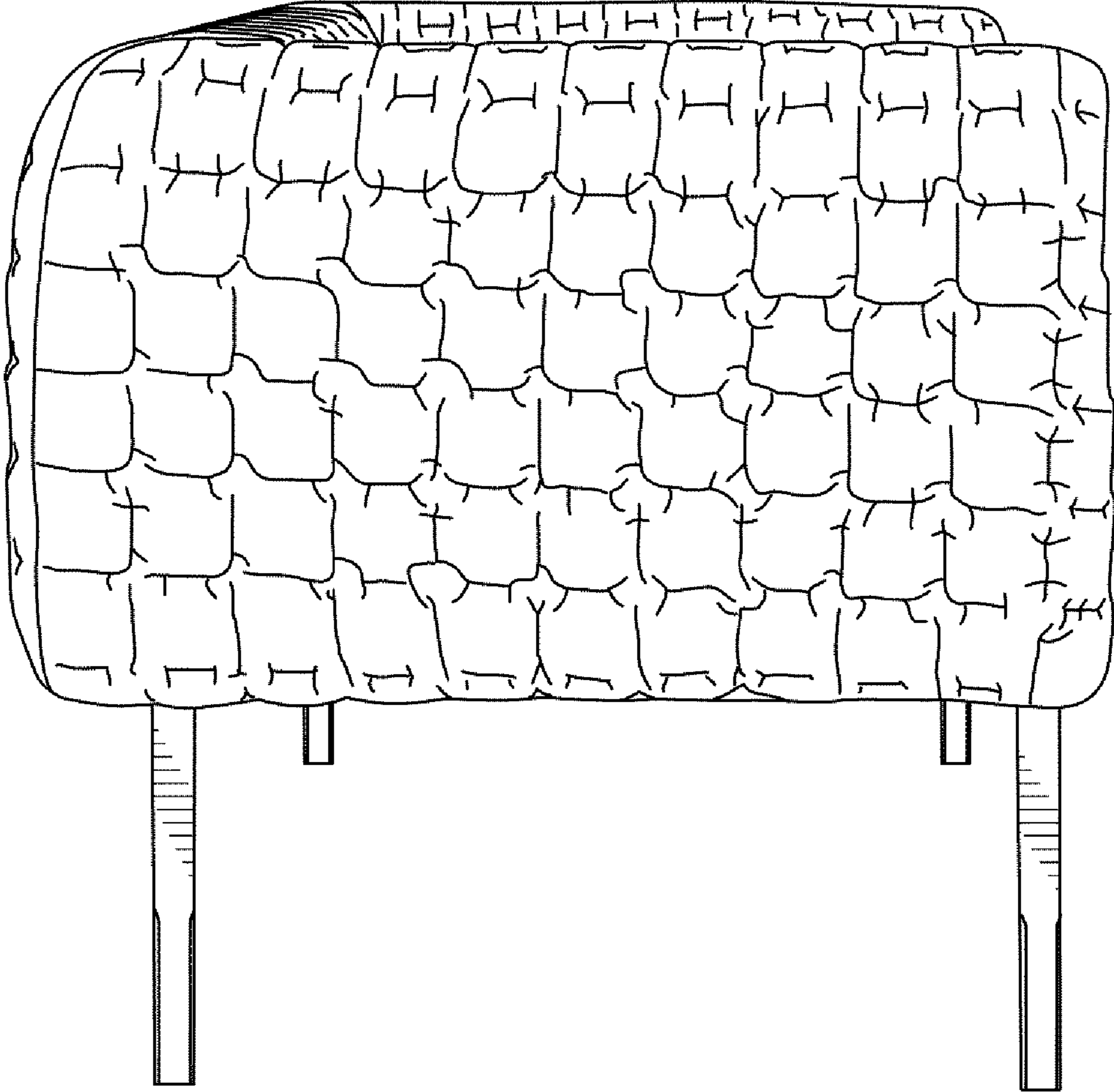


FIG. 6