



US00D648947S

(12) **United States Design Patent**  
**Ong**

(10) **Patent No.:** **US D648,947 S**

(45) **Date of Patent:** **\*\* Nov. 22, 2011**

(54) **CHAIR**

(75) Inventor: **Hooi Lim Ong**, Klang (MY)

(73) Assignee: **Merryfair Chair System SDN. BDN.**,  
Klang (MY)

(\*\*) Term: **14 Years**

(21) Appl. No.: **29/364,042**

(22) Filed: **Jun. 17, 2010**

(51) **LOC (9) Cl.** ..... **06-01**

(52) **U.S. Cl.** ..... **D6/366**

(58) **Field of Classification Search** ..... D6/334-336,  
D6/360-369, 373-374, 379-380, 498, 500-502,  
D6/601; 297/284.1-284.5, 291, 297, 303.1,  
297/354.12, 411.2, 411.27-411.29, 452.13,  
297/452.19, 452.21, 452.29, 452.3, 452.56,  
297/452.63

See application file for complete search history.

(56) **References Cited**

**U.S. PATENT DOCUMENTS**

D436,260 S *	1/2001	Nagamitsu	.....	D6/366
D436,456 S *	1/2001	Neil	.....	D6/366
D512,232 S *	12/2005	Wu	.....	D6/366
D543,717 S *	6/2007	Chen	.....	D6/366
D548,994 S *	8/2007	Mao	.....	D6/366
D552,857 S *	10/2007	Wang	.....	D6/366

D557,024 S *	12/2007	Chen	.....	D6/366
D557,914 S *	12/2007	Ong	.....	D6/366
D558,492 S *	1/2008	Lu	.....	D6/500
D568,624 S *	5/2008	Wen	.....	D6/366
D576,416 S *	9/2008	Su	.....	D6/366
D610,822 S *	3/2010	Chen	.....	D6/366
2006/0238009 A1 *	10/2006	Igarashi et al.	.....	297/354.12

**OTHER PUBLICATIONS**

Co-pending U.S. Appl. No. 29/364,524, filed Jun. 24, 2010.  
Co-pending U.S. Appl. No. 29/364,534, filed Jun. 24, 2010.

\* cited by examiner

*Primary Examiner* — Ricky Pham

(74) *Attorney, Agent, or Firm* — Hamre, Schumann, Mueller  
& Larson, P.C.

(57) **CLAIM**

The ornamental design for a chair, as shown and described.

**DESCRIPTION**

FIG. 1 is a front view of a chair showing my new design;  
FIG. 2 is a right side view thereof;  
FIG. 3 is a left side views thereof;  
FIG. 4 is a rear view thereof;  
FIG. 5 is a perspective view thereof.  
FIG. 6 is a top plan view thereof; and,  
FIG. 7 is a bottom plan view thereof.

**1 Claim, 4 Drawing Sheets**



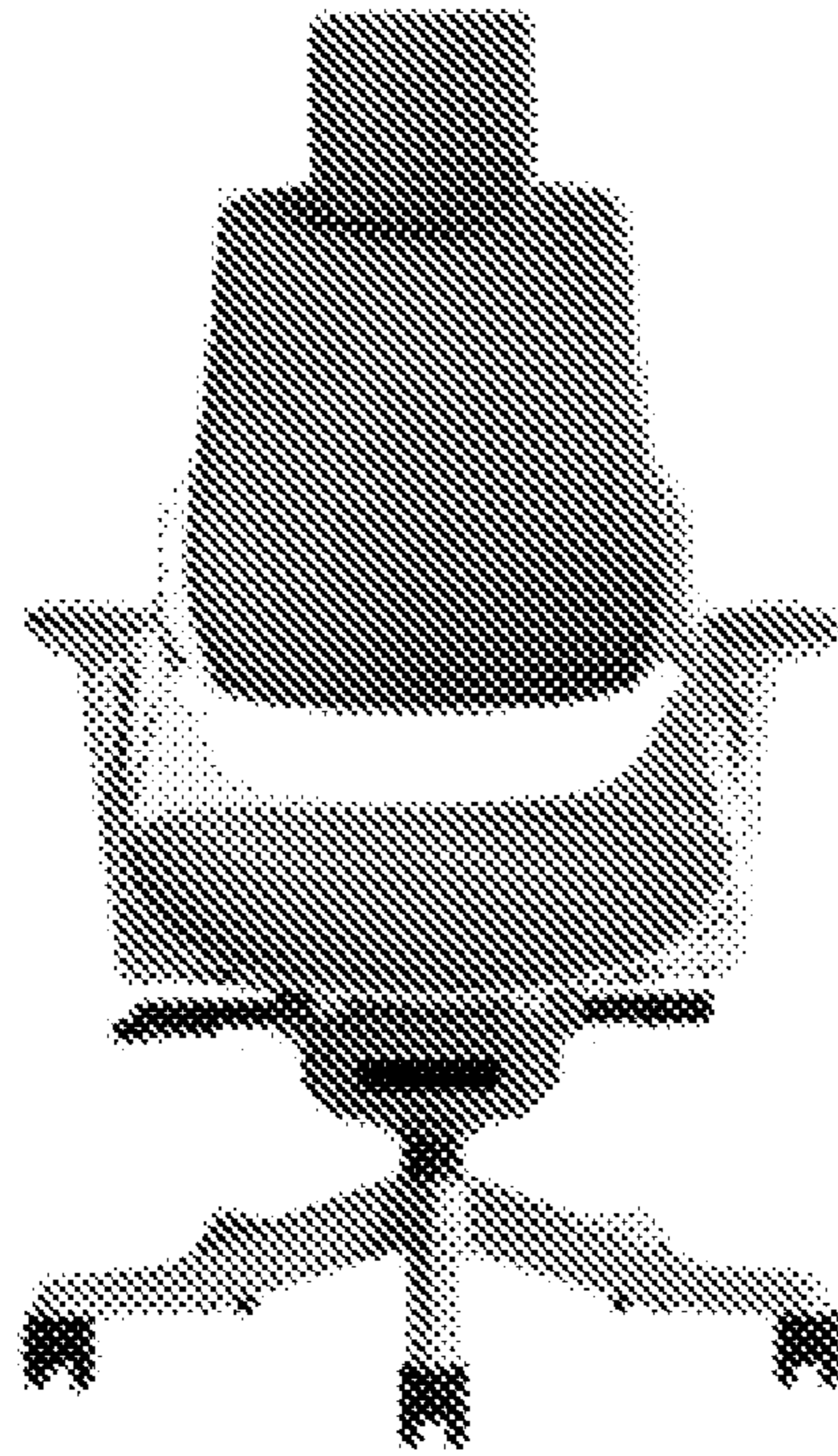


Fig. 1



Fig. 2

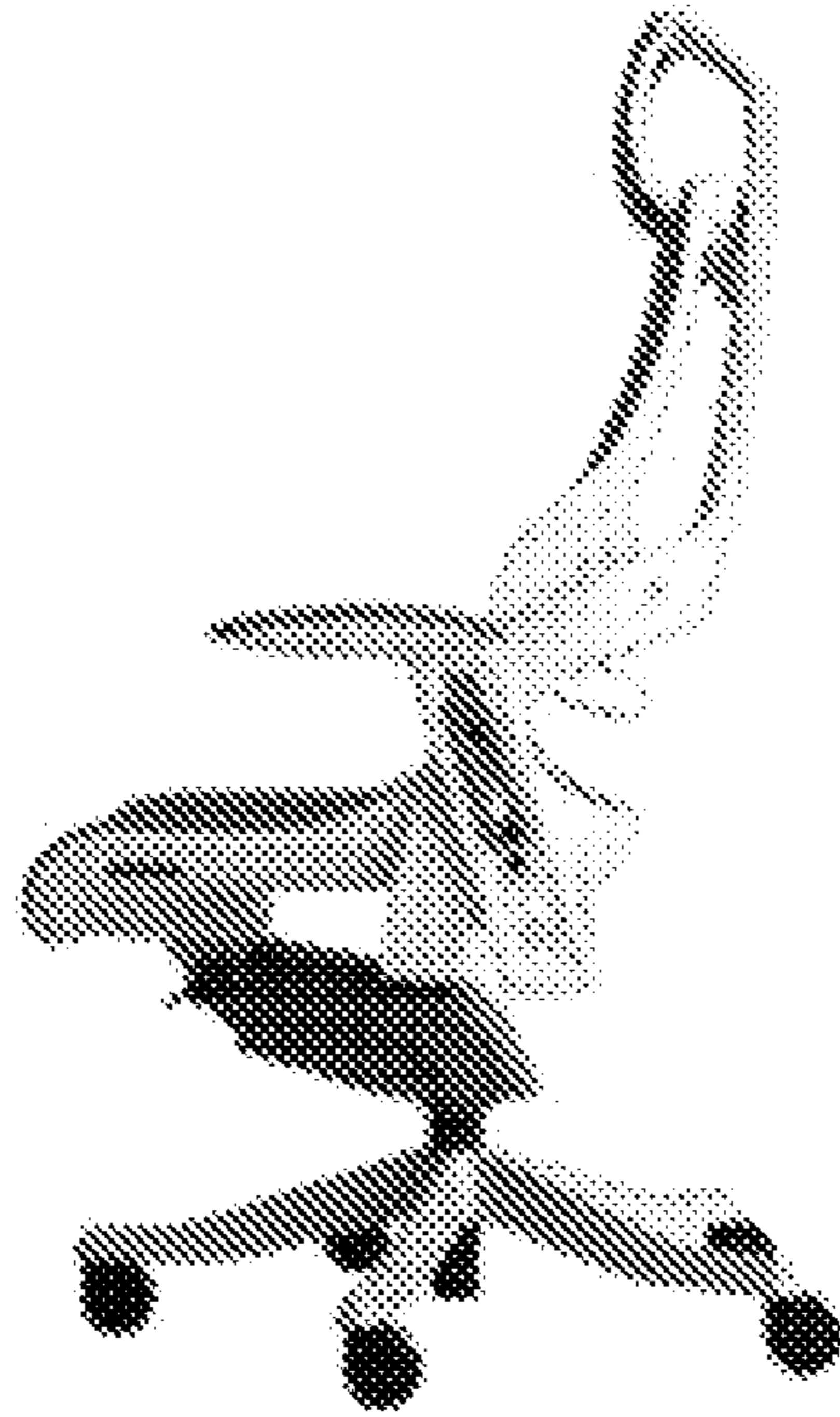


Fig. 3

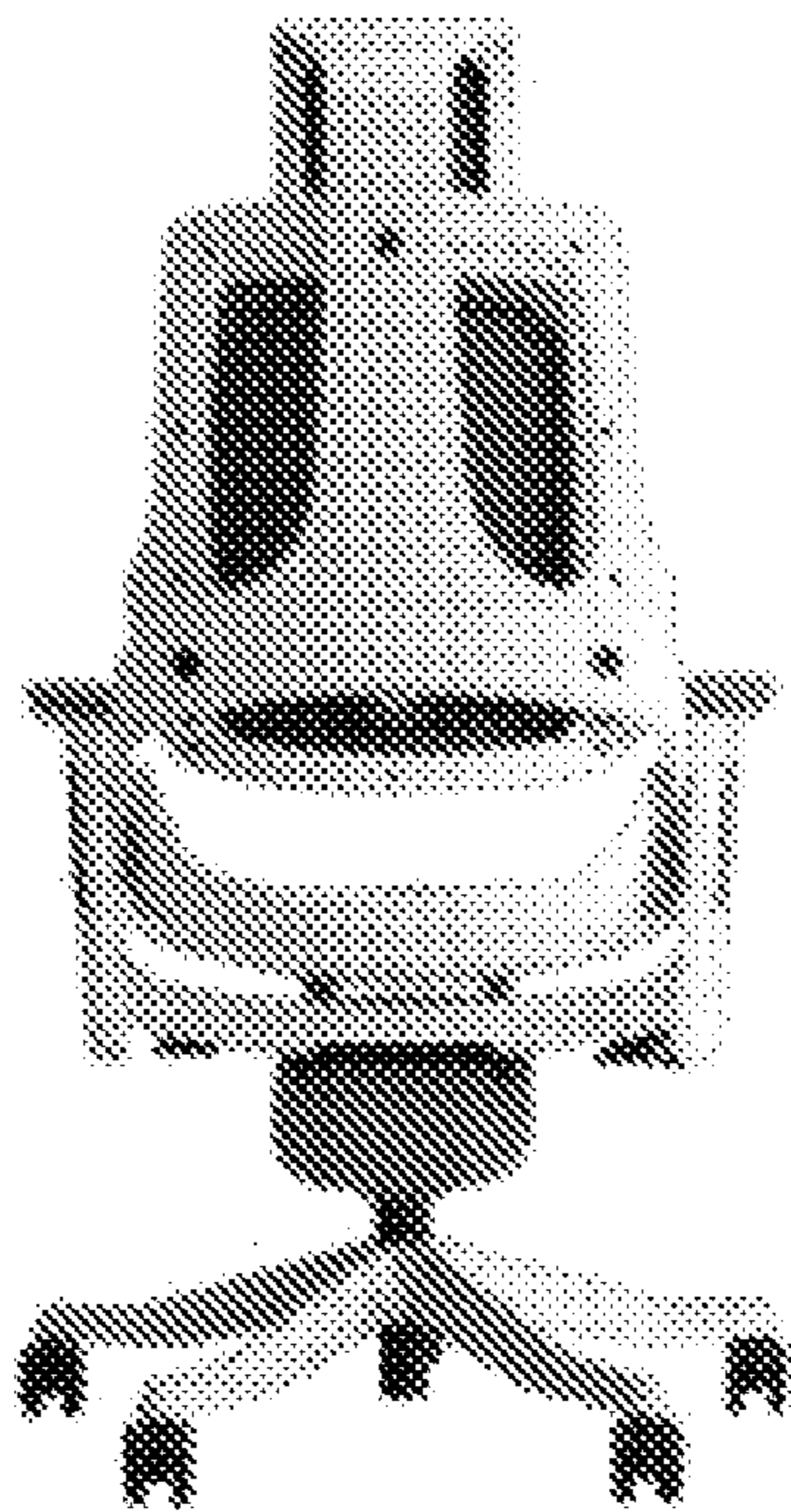


Fig. 4



Fig. 5

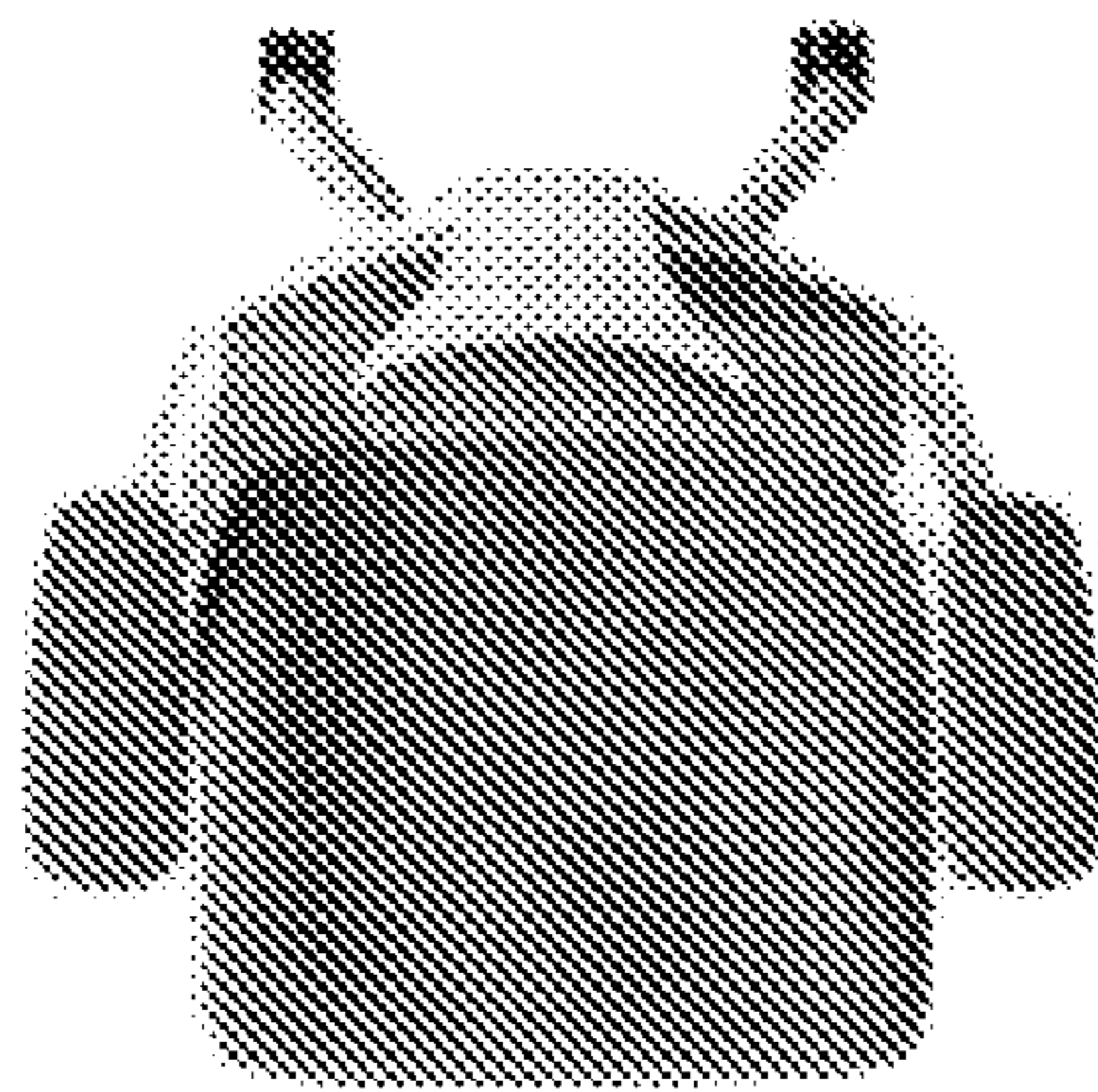


Fig. 6

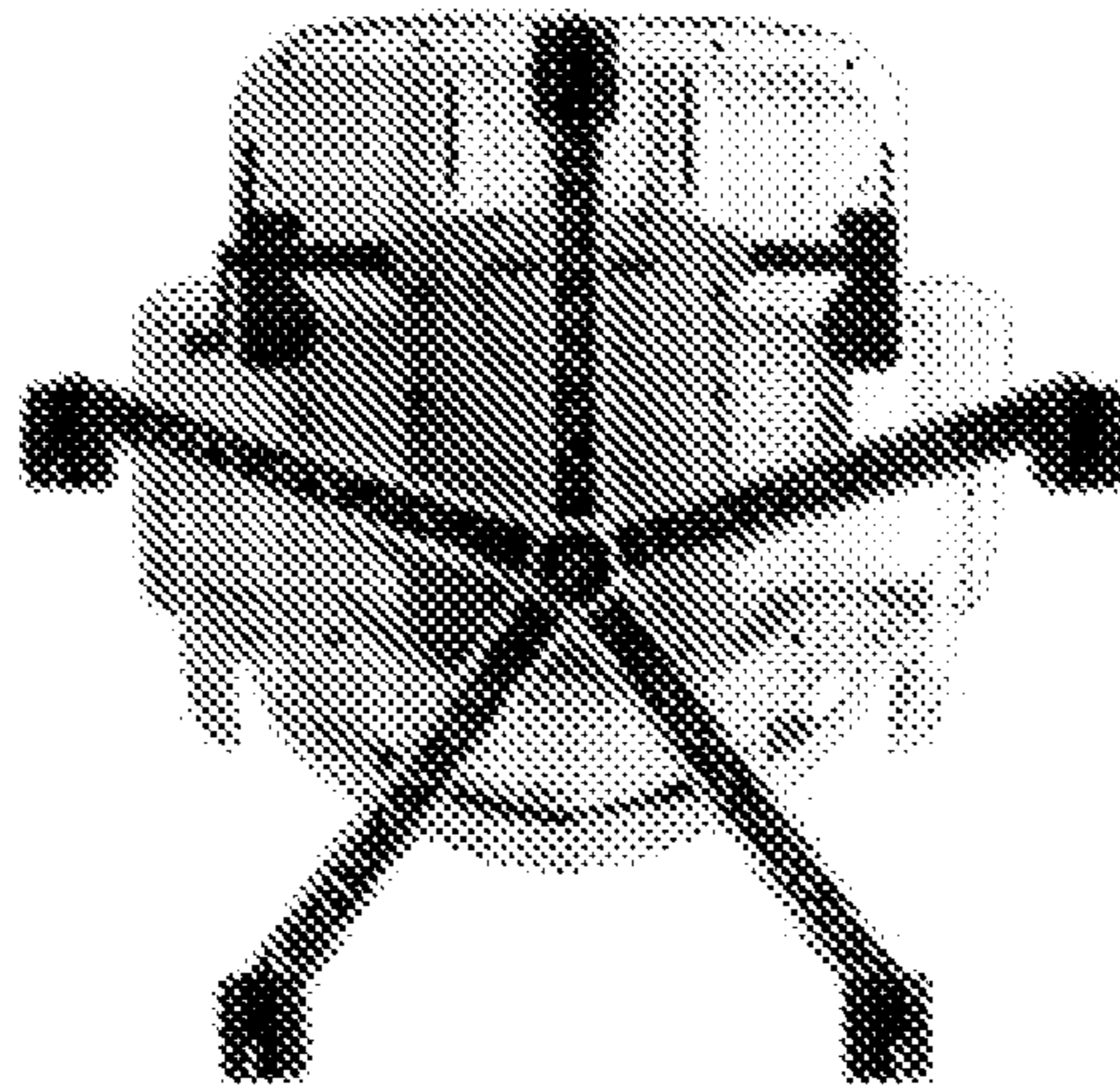


Fig. 7