



US00D648946S

(12) **United States Design Patent**  
**Wilson et al.**

(10) **Patent No.:** **US D648,946 S**  
(45) **Date of Patent:** **\*\* Nov. 22, 2011**

- (54) **CHAIR**
- (75) Inventors: **Scott Wilson**, Chicago, IL (US); **D. Matthew Puhalla**, Chicago, IL (US)
- (73) Assignee: **Steelcase Inc.**, Grand Rapids, MI (US)
- (\*\*) Term: **14 Years**
- (21) Appl. No.: **29/360,947**
- (22) Filed: **May 3, 2010**
- (51) **LOC (9) Cl.** ..... **06-01**
- (52) **U.S. Cl.** ..... **D6/366**
- (58) **Field of Classification Search** ..... D6/334–336,  
D6/360–369, 373–374, 379–380, 498, 500–502,  
D6/601; 297/284.4–284.5, 291, 297, 411.2,  
297/411.27–411.29, 452.13, 452.19, 452.21,  
297/452.29, 452.3, 452.56, 452.64  
See application file for complete search history.

- D209,282 S 11/1967 Boyd
- 3,361,472 A 1/1968 Hasbrouck
- D211,464 S 6/1968 Platner
- D213,870 S \* 4/1969 Hamilton ..... D6/333
- 3,441,310 A 4/1969 Gale
- 3,521,929 A 7/1970 Pearson
- D219,376 S 12/1970 Pearson
- D220,950 S 6/1971 Sideri
- D226,648 S 4/1973 Sebel
- D230,670 S 3/1974 Begge
- D236,302 S \* 8/1975 Prizlow ..... D6/366
- D245,378 S 8/1977 Roericht
- D245,886 S 9/1977 Wilson
- 4,170,382 A 10/1979 Wheeler
- D253,677 S \* 12/1979 Lubke ..... D6/366
- D254,104 S 2/1980 Wilson
- D271,825 S 12/1983 Snodgrass
- 4,427,232 A 1/1984 Malm
- D273,155 S \* 3/1984 Pettitt ..... D6/366
- D273,250 S \* 4/1984 Pettitt ..... D6/366
- D273,918 S \* 5/1984 Keeler ..... D6/367

(Continued)

*Primary Examiner* — Ricky Pham  
(74) *Attorney, Agent, or Firm* — Price Heneveld LLP

(56) **References Cited**

U.S. PATENT DOCUMENTS

- 1,737 A 8/1840 King
- D153,850 S \* 5/1949 Brazauski ..... D6/374
- D170,790 S 11/1953 Bertoia
- D170,791 S 11/1953 Bertoia
- D181,945 S 1/1958 Saarinen
- D183,416 S 8/1958 Bellmann
- 2,845,699 A 8/1958 Woodard
- 2,989,112 A 6/1961 Sonnleitner
- D191,704 S \* 11/1961 Stauffer ..... D6/375
- D192,029 S 1/1962 Avedon
- D192,799 S \* 5/1962 Eames ..... D6/366
- D193,847 S 10/1962 Mason
- D193,889 S 10/1962 Buzzitta
- D196,429 S 10/1963 Johnson
- 3,142,514 A 7/1964 Ginat
- 3,226,161 A 12/1965 Platner
- 3,259,431 A 7/1966 Gale
- D205,939 S 10/1966 Laverne
- 3,281,185 A 10/1966 Albinson et al.

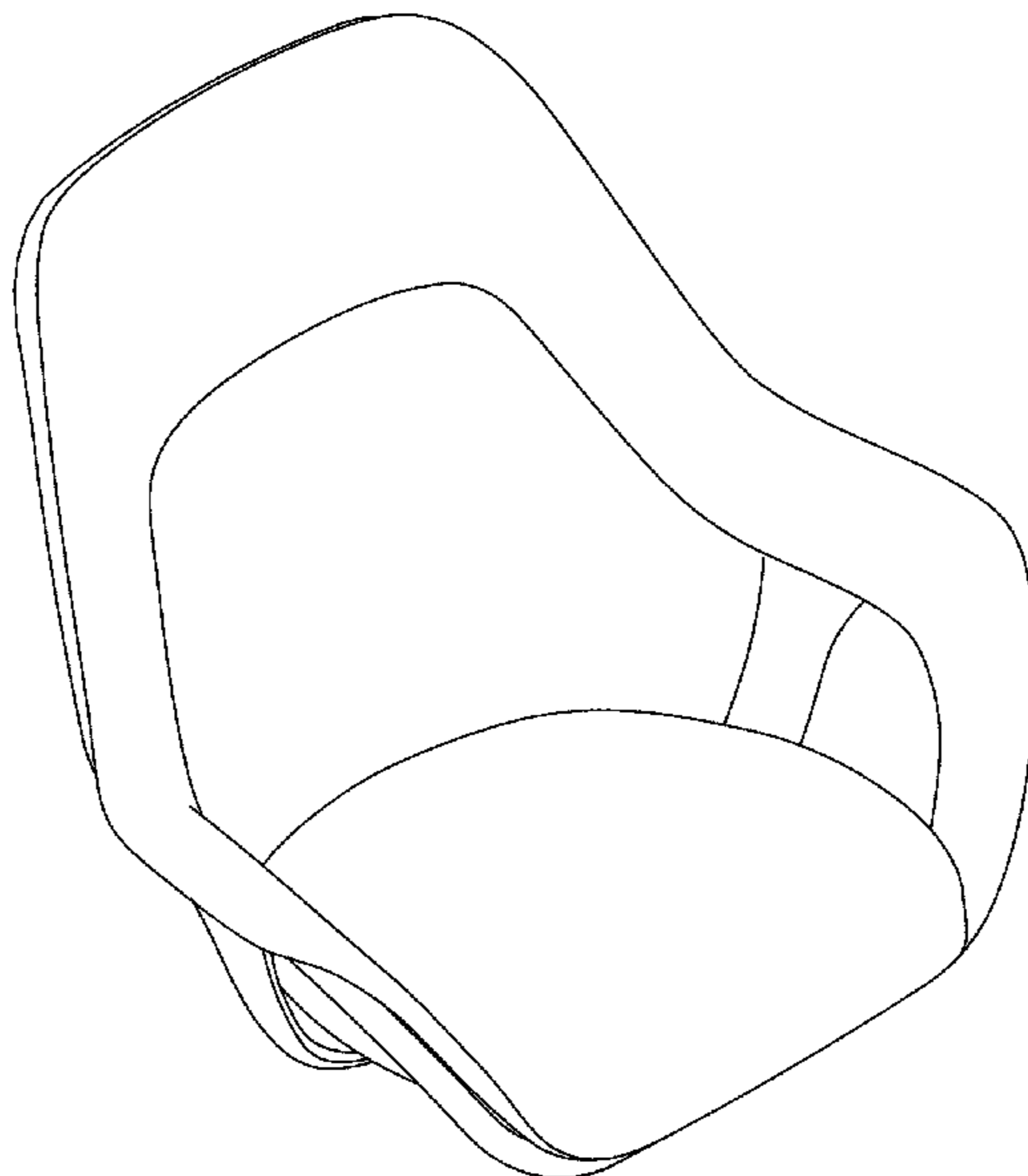
(57) **CLAIM**

We claim the ornamental design for the chair, as shown and described.

**DESCRIPTION**

FIG. 1 is a perspective view of a chair embodying the present invention;  
FIG. 2 is a front perspective view of the chair shown in FIG. 1;  
FIG. 3 is a side elevational view of the chair shown in FIG. 1, the opposite side view being a mirror image thereof;  
FIG. 4 is a rear perspective view of the chair shown in FIG. 1;  
FIG. 5 is a top plan view of the chair shown in FIG. 1; and  
FIG. 6 is a bottom plan view of the chair shown in FIG. 1.

**1 Claim, 5 Drawing Sheets**



# US D648,946 S

Page 2

U.S. PATENT DOCUMENTS					
D274,198 S	6/1984	Keeler	D524,582 S	7/2006	Tsai
D275,050 S	8/1984	Aronowitz et al.	D525,040 S	7/2006	Muller
D275,158 S	8/1984	Aronowitz et al.	D525,446 S	7/2006	Farber
D275,341 S	9/1984	Dunbar et al.	D525,461 S	7/2006	Egger
D276,104 S *	10/1984	Keeler ..... D6/372	D525,462 S	7/2006	Egger
4,500,137 A	2/1985	Morehouse	D525,796 S	8/2006	Thomkins
D279,943 S	8/1985	Ogg	D526,145 S	8/2006	Kita
D281,840 S	12/1985	Ogg	D526,822 S	8/2006	Chen et al.
D282,221 S	1/1986	Platner	D531,420 S	11/2006	Kita
D287,551 S	1/1987	Lewis	D540,553 S	4/2007	Dramov
D288,388 S	2/1987	Ochsner	D544,731 S	6/2007	Su
D288,506 S	3/1987	Ochsner	D544,732 S	6/2007	Mazzera
D291,508 S	8/1987	Herr	D544,733 S	6/2007	Mazzera
D296,731 S	7/1988	Hollington	D546,085 S	7/2007	Ritch et al.
D298,088 S	10/1988	Haukvik et al.	D549,014 S	8/2007	Donati
D300,483 S *	4/1989	Jenkins ..... D6/366	D549,973 S	9/2007	Petruccelli
D303,888 S *	10/1989	Stafford ..... D6/502	D550,466 S *	9/2007	Molina et al. .... D6/366
D304,654 S *	11/1989	Stafford ..... D6/502	D550,988 S	9/2007	Mazzera
D314,475 S	2/1991	Binfare	D551,867 S	10/2007	Yusuf
D321,436 S	11/1991	Paris	D552,362 S	10/2007	Bouroullec et al.
D326,780 S	6/1992	Morgan	D552,385 S	10/2007	Yeh
5,169,210 A	12/1992	Fricano	D554,382 S	11/2007	Nobles et al.
D334,293 S *	3/1993	Bennett ..... D6/366	D554,386 S	11/2007	Nobles et al.
5,203,853 A	4/1993	Caruso	D555,380 S	11/2007	Farber
5,366,276 A	11/1994	Hobson et al.	D555,926 S	11/2007	Williams et al.
D354,633 S	1/1995	Frinier	D557,043 S	12/2007	Egger
D369,688 S *	5/1996	Dammerman ..... D6/366	D557,916 S	12/2007	Dietrich
D371,012 S	6/1996	Klein	D560,380 S	1/2008	Mourgue
D372,366 S	8/1996	Frinier	D560,406 S	1/2008	Privatt et al.
5,653,499 A	8/1997	Goodall	D560,918 S	2/2008	Fuksas
D386,910 S	12/1997	Saiger	D561,498 S	2/2008	Egger
D391,090 S	2/1998	Schwartz	D568,617 S	5/2008	Jehs et al.
D392,118 S	3/1998	Proserpio	D572,929 S	7/2008	van Ierssel et al.
D393,956 S	5/1998	Kane	D573,363 S	7/2008	Pillet
5,816,649 A	10/1998	Shields	D574,643 S	8/2008	Petruccelli
D407,583 S	4/1999	Perl	D577,214 S	9/2008	Thomkins
5,909,864 A	6/1999	Wang	D578,786 S	10/2008	Cantarutti
5,954,393 A	9/1999	Perrin	D579,224 S *	10/2008	Fancelli ..... D6/372
D415,638 S *	10/1999	Zaidman ..... D6/500	D582,173 S	12/2008	Dordoni
D417,795 S	12/1999	Rashid	D582,183 S	12/2008	Egger
D419,788 S	2/2000	Schwartz et al.	D583,592 S	12/2008	Johnson
D436,749 S	1/2001	Arad	D583,593 S	12/2008	Egger
D440,064 S	4/2001	Deacon	D583,594 S	12/2008	Tamara
D442,378 S	5/2001	Arad	D584,066 S *	1/2009	Greutmann ..... D6/372
D443,991 S *	6/2001	Picotti ..... D6/366	D584,521 S	1/2009	Massaud
D447,895 S	9/2001	Chen	D584,901 S	1/2009	Massaud
6,352,302 B1	3/2002	Piretti, Jr.	D584,907 S	1/2009	Egger
D458,764 S	6/2002	Starck	D585,206 S	1/2009	Mourgue
D458,776 S	6/2002	Patton	D585,655 S	2/2009	Pearson et al.
D460,884 S	7/2002	Koepke et al.	D585,656 S	2/2009	Massaud
D461,345 S	8/2002	Holbrook et al.	D585,657 S	2/2009	Massaud
D465,360 S *	11/2002	Ratza et al. .... D6/500	D586,137 S	2/2009	Massaud
6,523,898 B1	2/2003	Ball et al.	D586,139 S	2/2009	Massaud
D471,039 S	3/2003	Chen	D587,916 S	3/2009	Bouroullec et al.
D472,079 S	3/2003	Chen	D588,371 S *	3/2009	Picco et al. .... D6/375
D475,557 S	6/2003	Su	D592,871 S	5/2009	Guan
D475,871 S	6/2003	Tsai	D596,864 S	7/2009	Bergmann et al.
D477,720 S	7/2003	Diaz-Azcuy	D596,871 S	7/2009	Farber
D482,217 S	11/2003	Lin	D600,033 S	9/2009	Natuzzi
D482,549 S	11/2003	Tsai	D600,458 S	9/2009	Starck
6,644,749 B2	11/2003	VanDeRiet et al.	D600,930 S	9/2009	Overthun et al.
D494,387 S	8/2004	McDiarmid	D600,949 S	9/2009	Overthun et al.
D494,785 S	8/2004	Chen	D603,630 S	11/2009	True
D507,436 S	7/2005	Chao	D605,880 S	12/2009	Muller
D508,786 S	8/2005	Natuzzi	D609,037 S	2/2010	Miller et al.
D508,787 S	8/2005	Natuzzi	D609,931 S	2/2010	Young-il et al.
D509,387 S	9/2005	Chen	D610,377 S	2/2010	Kita
D516,827 S *	3/2006	Mourgue ..... D6/366	D610,378 S *	2/2010	Kita ..... D6/500
D518,318 S	4/2006	Koepke	D614,415 S *	4/2010	Konno ..... D6/366
D518,968 S	4/2006	Magnani et al.	D637,830 S *	5/2011	Li ..... D6/372

\* cited by examiner

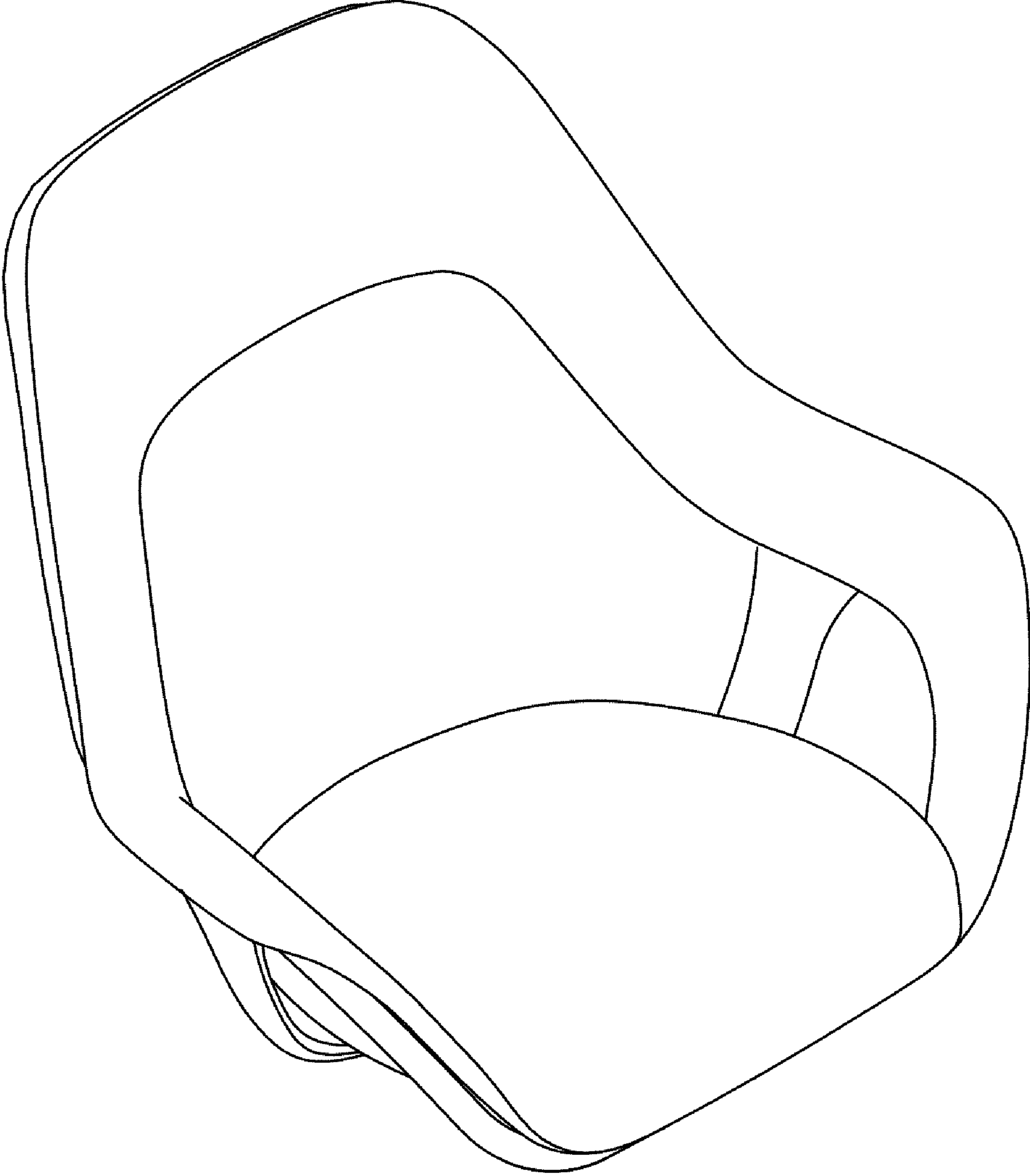


FIG. 1

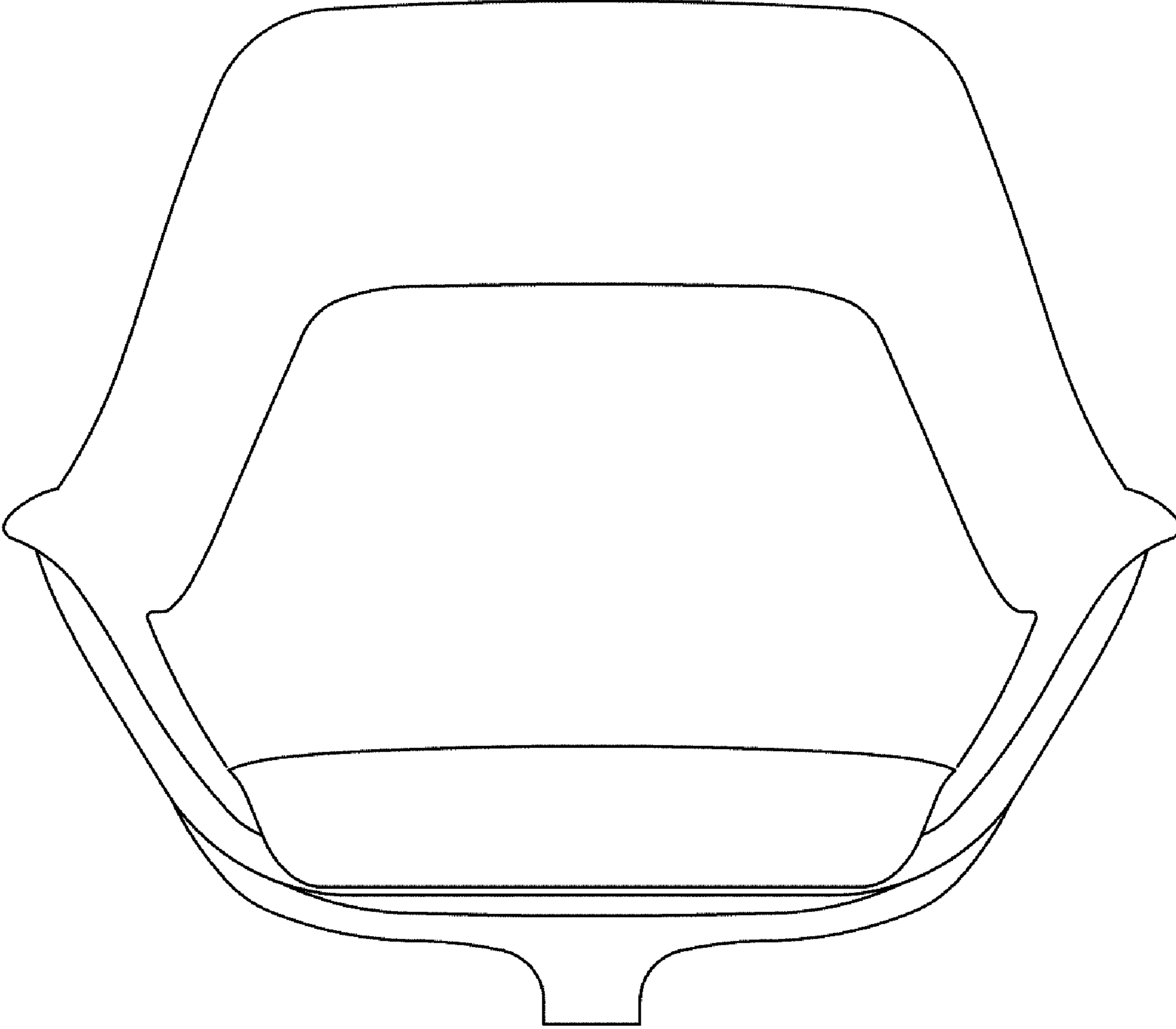


FIG. 2

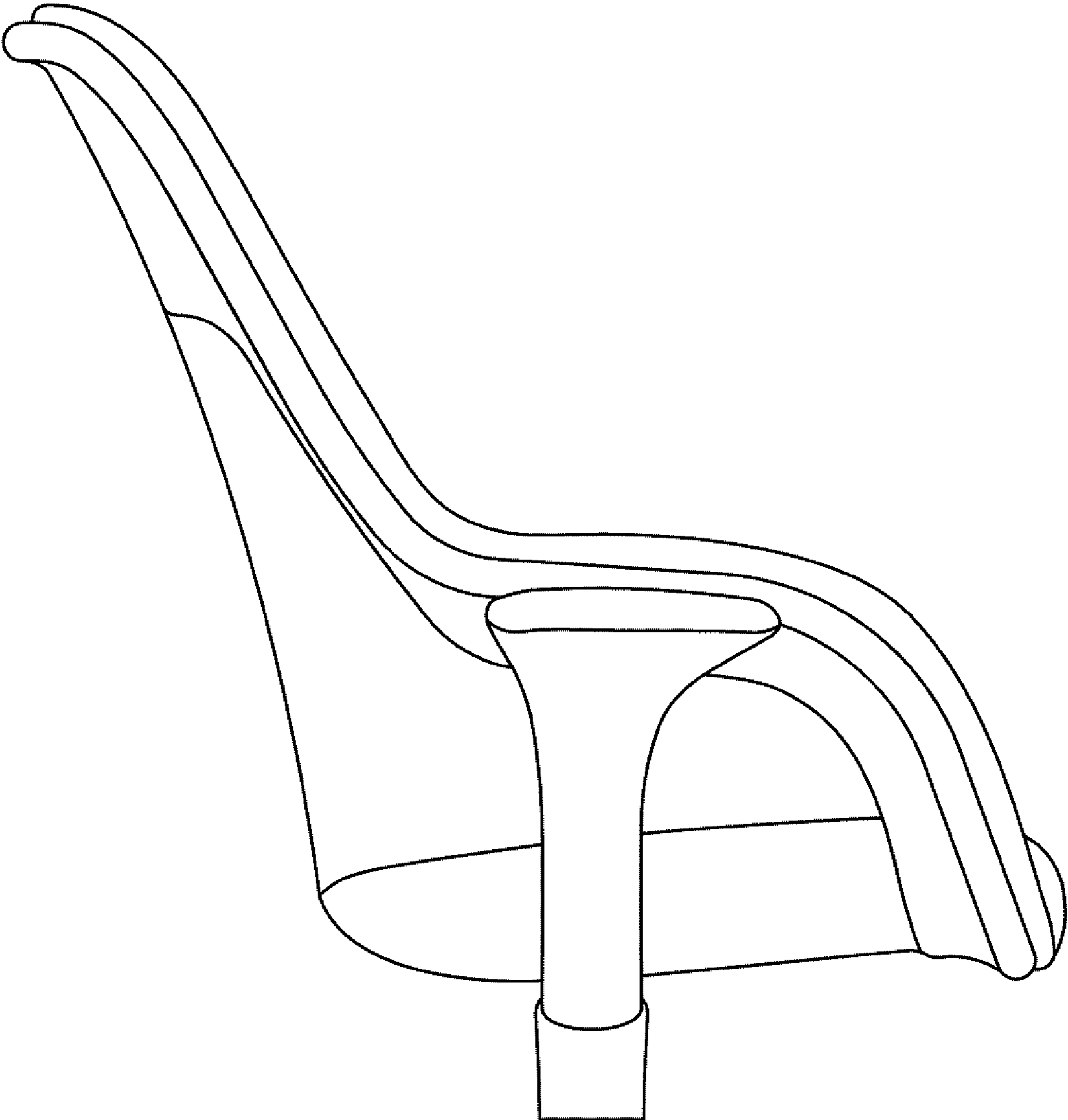


FIG. 3

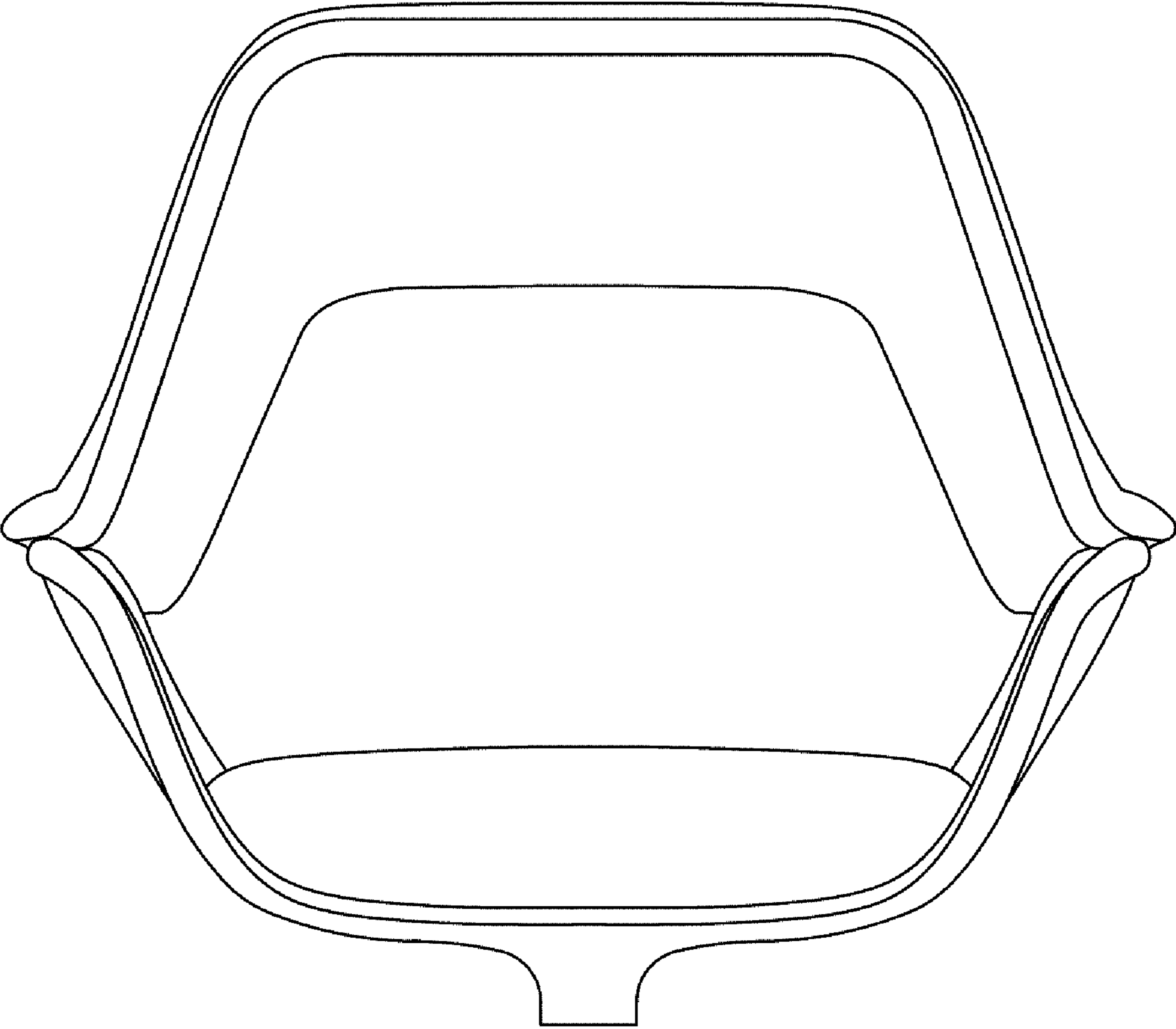


FIG. 4

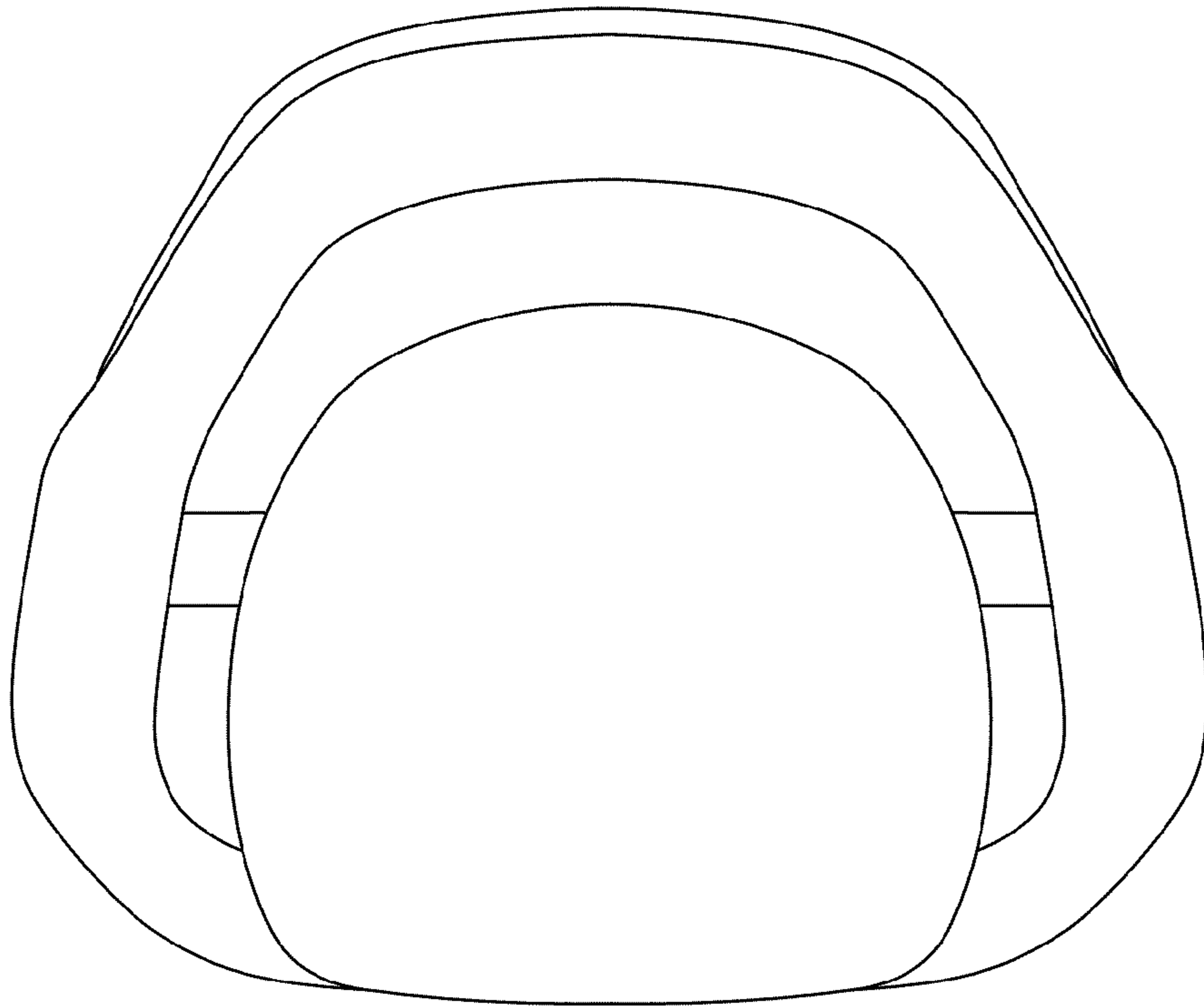


FIG. 5

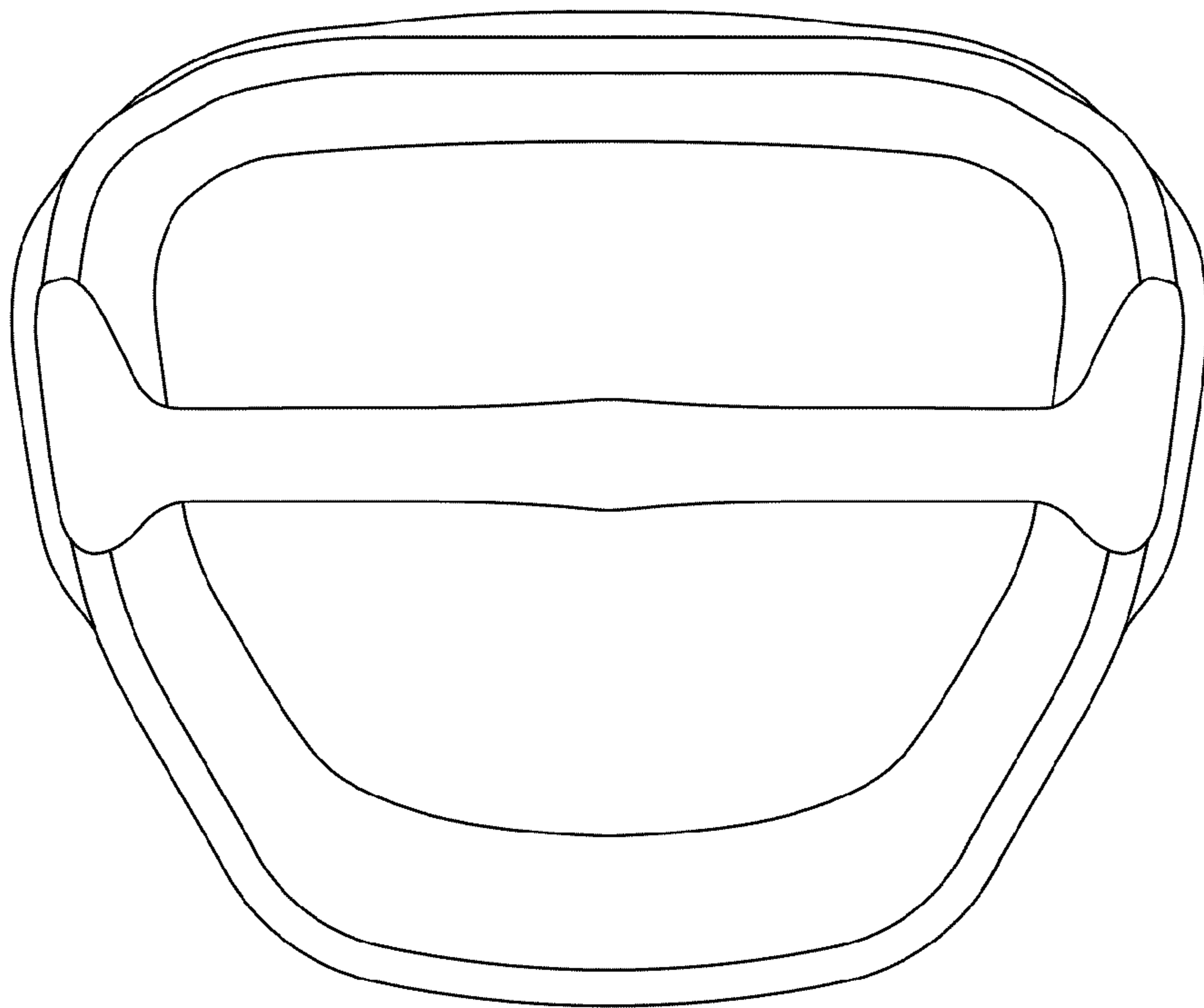


FIG. 6