



US00D648941S

(12) **United States Design Patent**
Leung

(10) **Patent No.:** **US D648,941 S**

(45) **Date of Patent:** **** Nov. 22, 2011**

(54) **TOOTHBRUSH WITH FLUID JET ASSEMBLY**

(75) Inventor: **Anthony Kit Lun Leung**, Hong Kong (CN)

(73) Assignee: **Conair Corporation**, Stamford, CT (US)

(**) Term: **14 Years**

(21) Appl. No.: **29/390,049**

(22) Filed: **Apr. 19, 2011**

(51) **LOC (9) Cl.** **28-03**

(52) **U.S. Cl.** **D4/101; D4/108**

(58) **Field of Classification Search** D4/101, D4/104-112, 134, 138; D24/111, 146, 147, D24/152; 15/167.1, 167.2; 132/308-311; 601/142

See application file for complete search history.

(56) **References Cited**

U.S. PATENT DOCUMENTS

| | | | | |
|-----------|-----|---------|-------------------|--------|
| 4,530,369 | A | 7/1985 | Adams | |
| 5,088,145 | A | 2/1992 | Whitefield | |
| 5,301,381 | A | 4/1994 | Klupt | |
| 5,304,010 | A | 4/1994 | Hsing-San | |
| 5,309,590 | A | 5/1994 | Giuliani et al. | |
| 5,359,747 | A | 11/1994 | Amakasu | |
| 5,378,153 | A | 1/1995 | Giuliani et al. | |
| 5,406,664 | A | 4/1995 | Hukuba | |
| D387,908 | S | 12/1997 | Stützer et al. | |
| D388,252 | S | 12/1997 | Stützer et al. | |
| RE35,941 | E | 11/1998 | Stansbury, Jr. | |
| D411,769 | S | 7/1999 | Wright | |
| 5,934,908 | A | 8/1999 | Woog et al. | |
| 6,030,215 | A | 2/2000 | Ellion et al. | |
| 6,047,429 | A | 4/2000 | Wu | |
| D436,254 | S * | 1/2001 | Kling et al. | D4/101 |
| 6,203,320 | B1 | 3/2001 | Williams et al. | |
| 6,230,717 | B1 | 5/2001 | Marx et al. | |
| D452,775 | S | 1/2002 | Wright | |
| D453,996 | S | 3/2002 | Kling et al. | |
| D457,726 | S | 5/2002 | Tse | |

| | | | |
|-----------|----|--------|---------------|
| D458,027 | S | 6/2002 | Ferber et al. |
| D458,028 | S | 6/2002 | McCurrach |
| 6,453,499 | B1 | 9/2002 | Leuermann |
| D470,660 | S | 2/2003 | Schaber |

(Continued)

FOREIGN PATENT DOCUMENTS

TW D101555 S * 11/2004

OTHER PUBLICATIONS

CN 300999258 Registered Design Application, (Wang Fengmei) Sep. 2, 2009, [online], [retrieved on Oct. 10, 2010] Retrieved from the Questel Intellectual Property Portal Design Database using the Internet: <URL: http://www.orbit.com>.*

Primary Examiner — Melanie H Tung
Assistant Examiner — Lavone D Tabor

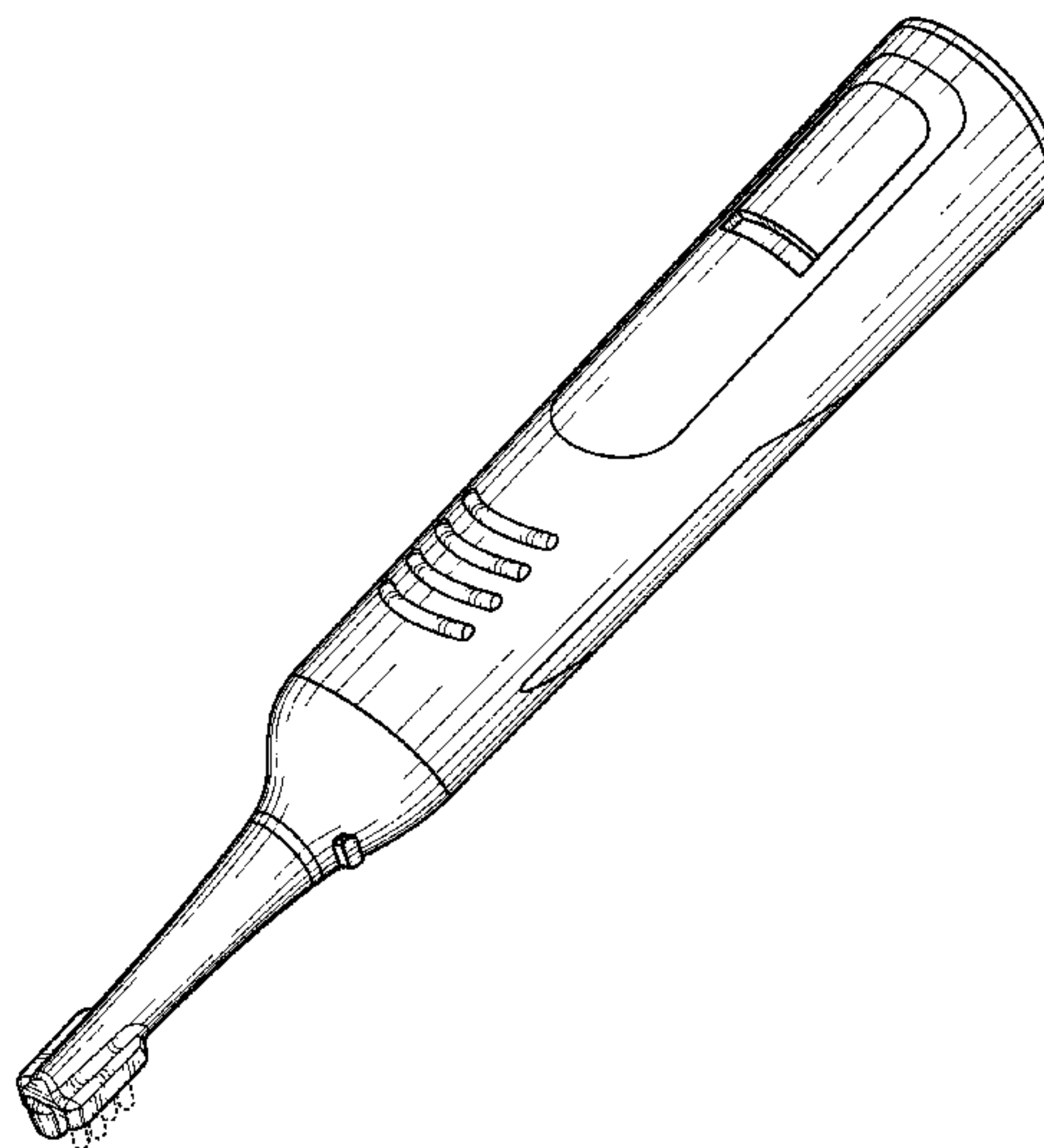
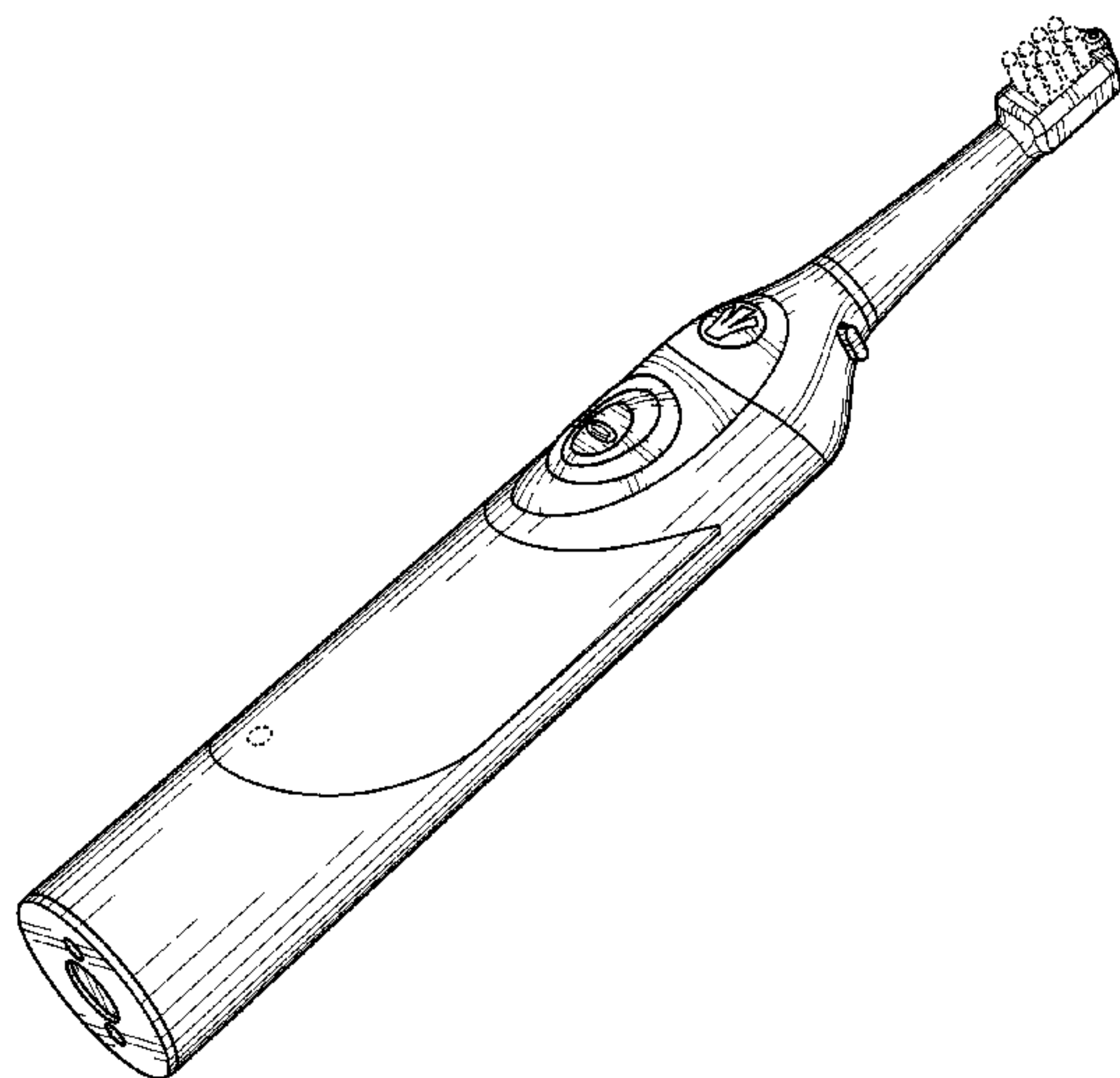
(57) **CLAIM**

The ornamental design for the toothbrush with fluid jet assembly, as shown and described.

DESCRIPTION

FIGS. 1-2 are first and second perspective views of the toothbrush with fluid jet assembly in accordance with the principles of the present invention; FIG. 3 is a front plan view of the toothbrush with fluid jet assembly; FIG. 4 is a rear plan view of the toothbrush with fluid jet assembly; FIGS. 5-6 are first and second side plan views of the toothbrush with fluid jet assembly; and FIG. 7 is a top plan view of the toothbrush with fluid jet assembly; and, FIG. 8 is a bottom plan view of the toothbrush with fluid jet assembly. The portions of the figures shown in broken lines are for illustrative purposes only and form no part of the claimed design.

1 Claim, 5 Drawing Sheets



US D648,941 S

Page 2

U.S. PATENT DOCUMENTS

| | | | | | |
|----------------|---------|-----------------------------|-----------------|---------|------------------------------|
| D474,026 S | 5/2003 | Wright | 7,386,904 B2 | 6/2008 | Fattori |
| D475,529 S | 6/2003 | Wright et al. | 7,401,373 B2 | 7/2008 | Tybinkowski et al. |
| D476,485 S | 7/2003 | Mulder et al. | 7,401,377 B2 | 7/2008 | Birk et al. |
| D479,403 S | 9/2003 | Breit et al. | D577,198 S | 9/2008 | Jimenez et al. |
| 6,622,333 B1 * | 9/2003 | Rehkemper et al. 15/29 | D580,173 S | 11/2008 | Beedham |
| 6,689,078 B1 | 2/2004 | Rehkemper et al. | 7,469,440 B2 | 12/2008 | Boland et al. |
| D487,349 S | 3/2004 | Julian | D586,125 S | 2/2009 | Winkler et al. |
| D489,183 S | 5/2004 | Akahori et al. | 7,495,358 B2 | 2/2009 | Kobayashi et al. |
| 6,766,549 B2 | 7/2004 | Klupt | 7,703,163 B2 | 4/2010 | Jimenez et al. |
| 6,766,824 B2 | 7/2004 | Taylor | D619,368 S | 7/2010 | Toshima |
| D493,960 S | 8/2004 | Jimenez et al. | 7,784,136 B2 | 8/2010 | Gatzemeyer et al. |
| D500,207 S | 12/2004 | Jimenez et al. | D623,416 S | 9/2010 | St. Laurent |
| 6,845,537 B2 | 1/2005 | Wong | 7,857,623 B2 | 12/2010 | Grez |
| 6,848,141 B2 | 2/2005 | Eliav et al. | D632,483 S * | 2/2011 | Crossman D4/101 |
| 6,886,208 B2 | 5/2005 | Kemp et al. | 7,877,832 B2 | 2/2011 | Reinbold |
| 6,918,154 B2 | 7/2005 | Ben-Ari | 7,877,833 B2 | 2/2011 | Gavney, Jr. |
| D508,776 S * | 8/2005 | Kling et al. D4/101 | 7,917,986 B2 * | 4/2011 | Jimenez et al. 15/167.1 |
| D515,815 S | 2/2006 | Jimenez et al. | 2005/0278878 A1 | 12/2005 | Liao et al. |
| D515,816 S | 2/2006 | Jimenez et al. | 2006/0254007 A1 | 11/2006 | Banning |
| 7,080,980 B2 | 7/2006 | Klupt | 2009/0070949 A1 | 3/2009 | Sagel et al. |
| D527,185 S | 8/2006 | Vu | 2009/0113643 A1 | 5/2009 | Tybinkowski et al. |
| 7,120,960 B2 | 10/2006 | Hilscher et al. | 2009/0113648 A1 | 5/2009 | Vaynberg et al. |
| D547,951 S * | 8/2007 | Ullmann et al. D4/101 | 2009/0119859 A1 | 5/2009 | Podolsky |
| D563,674 S | 3/2008 | Beedham | 2009/0211042 A1 | 8/2009 | Bock |
| 7,356,866 B2 | 4/2008 | Chan | 2010/0263143 A1 | 10/2010 | Sorrentino |

* cited by examiner

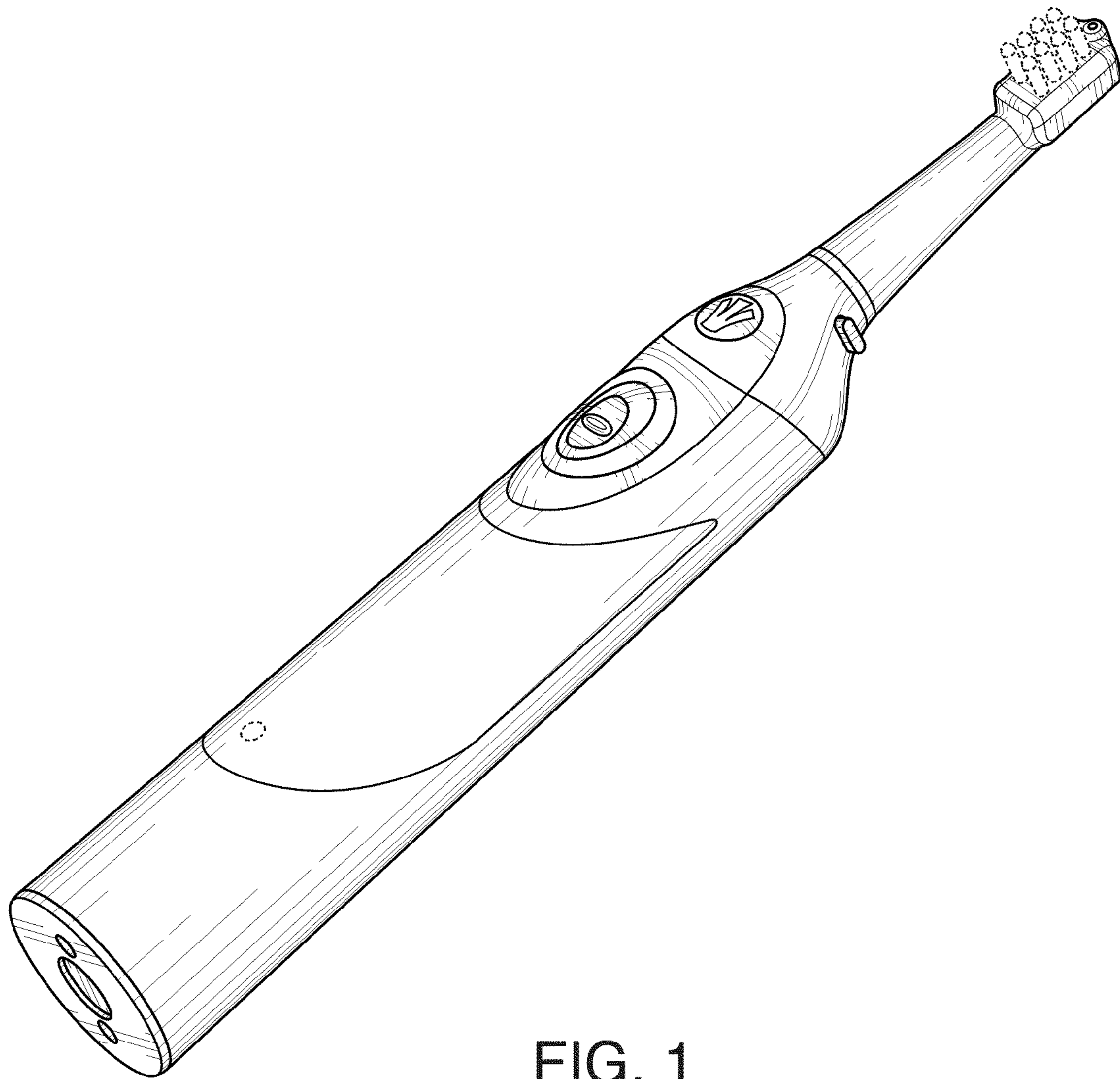


FIG. 1

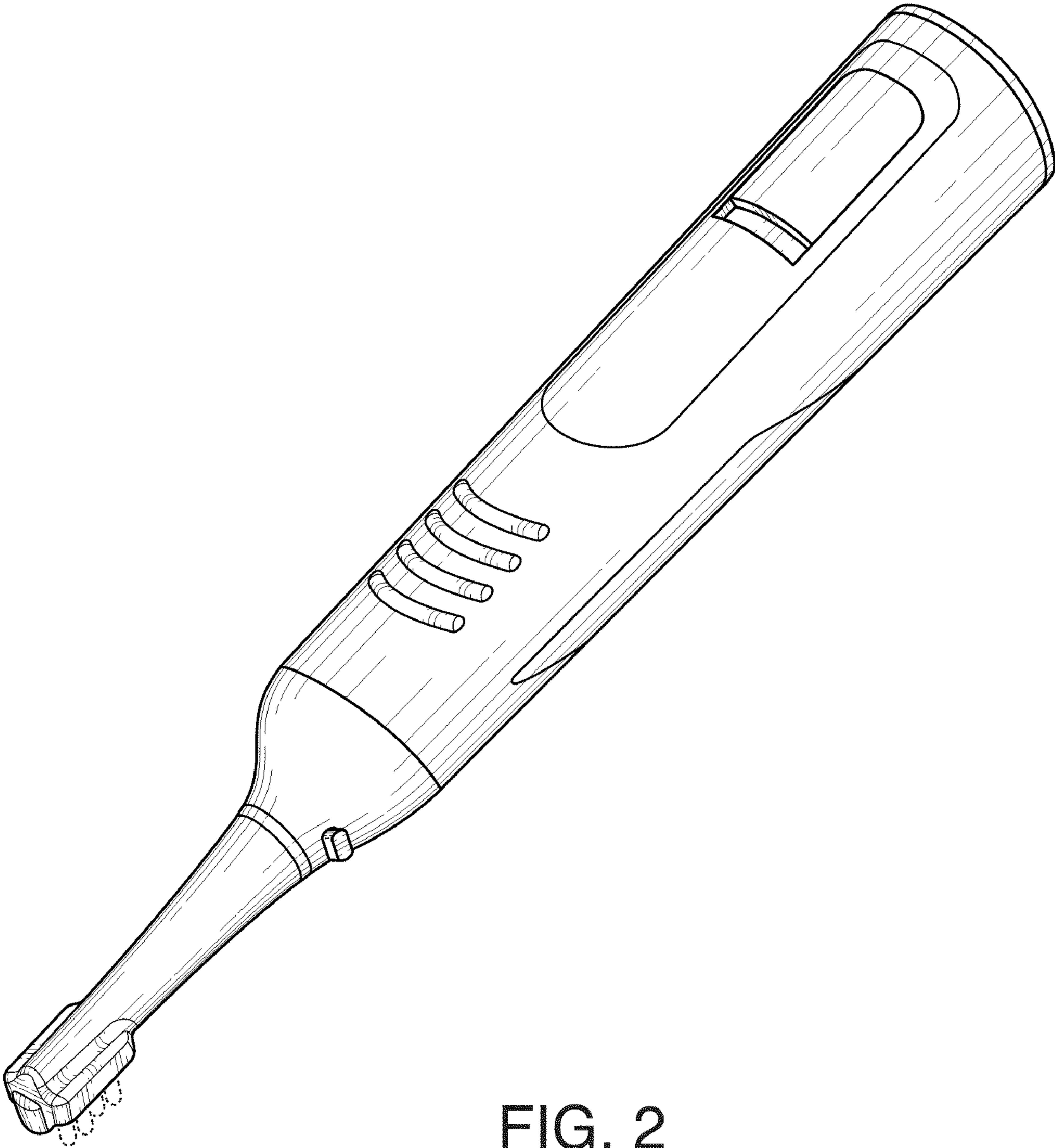


FIG. 2

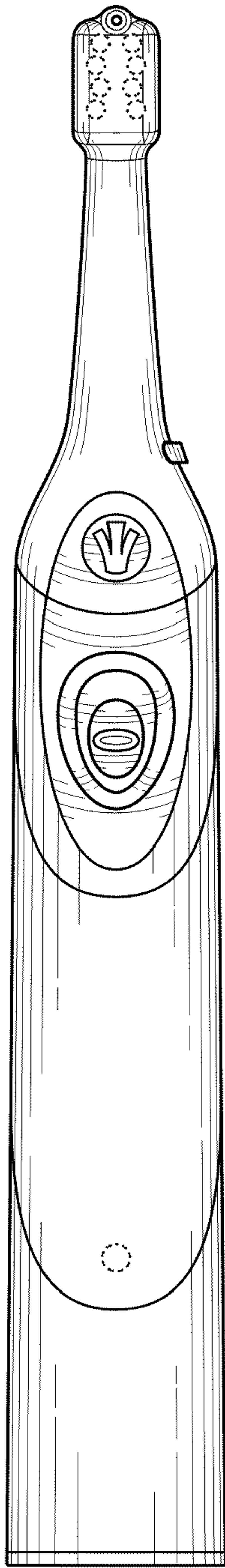


FIG. 3

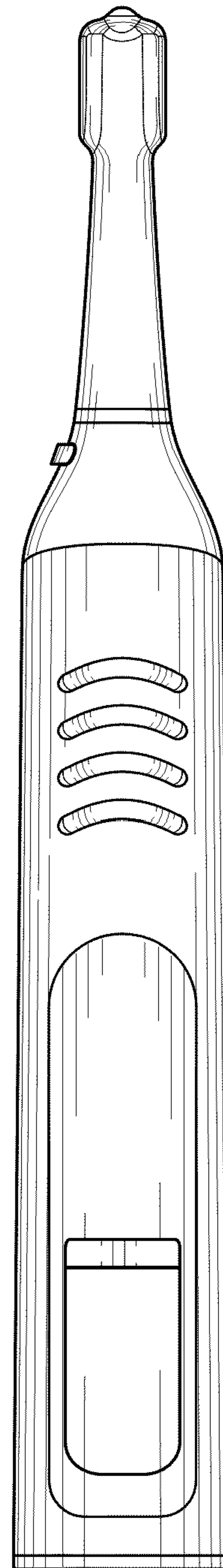


FIG. 4

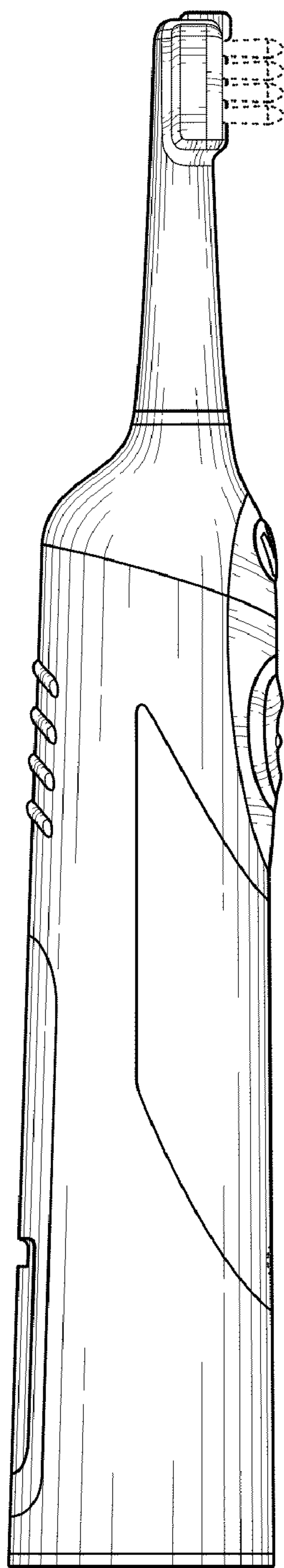


FIG. 5

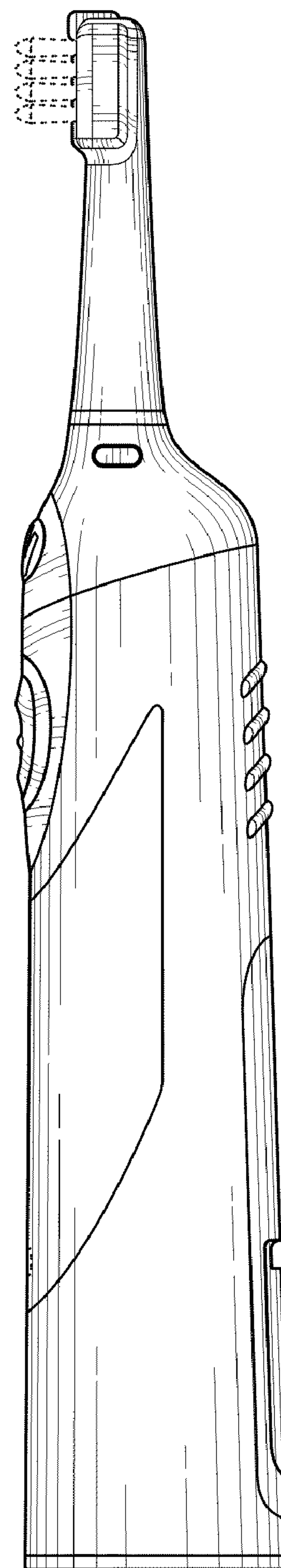


FIG. 6

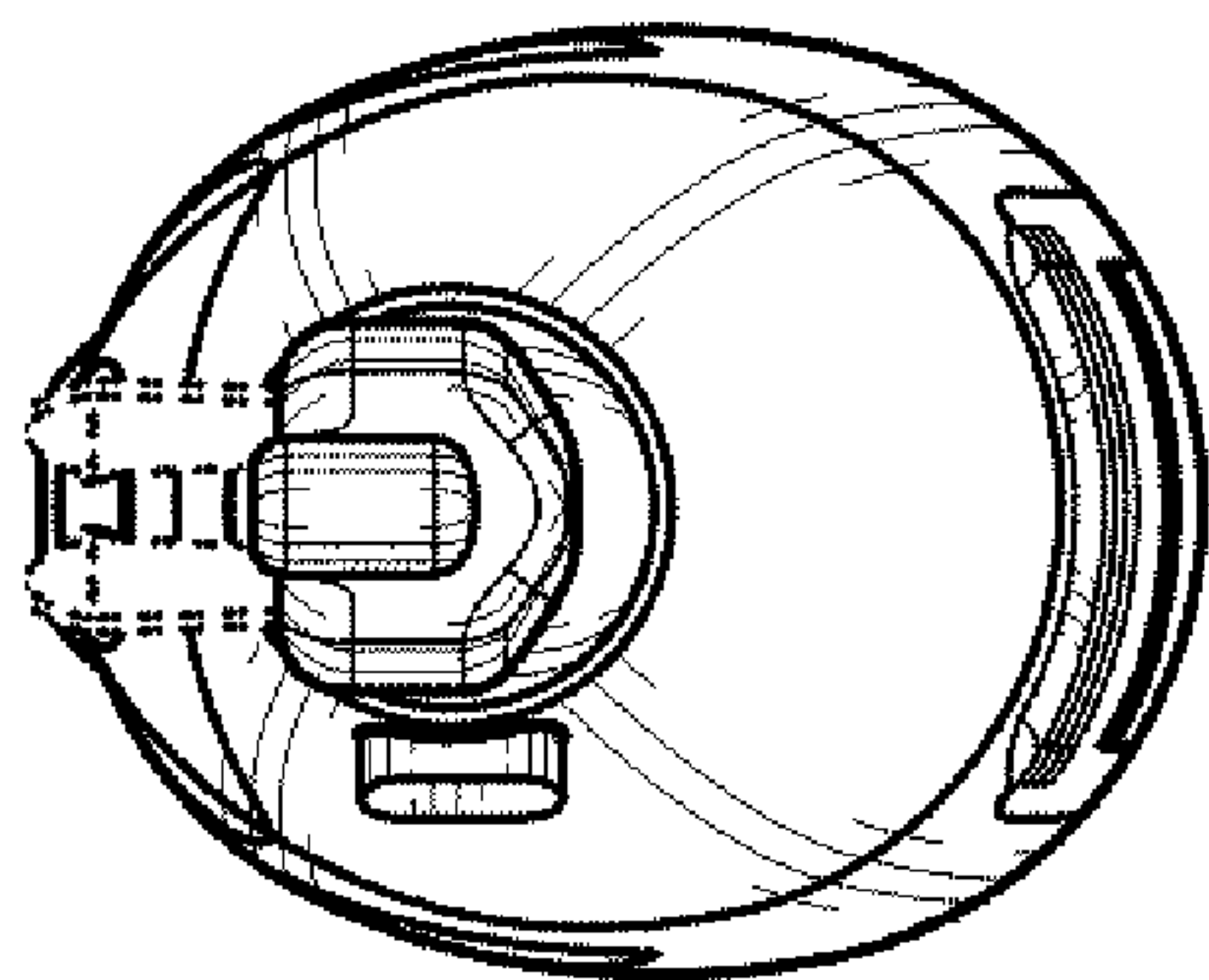


FIG. 7

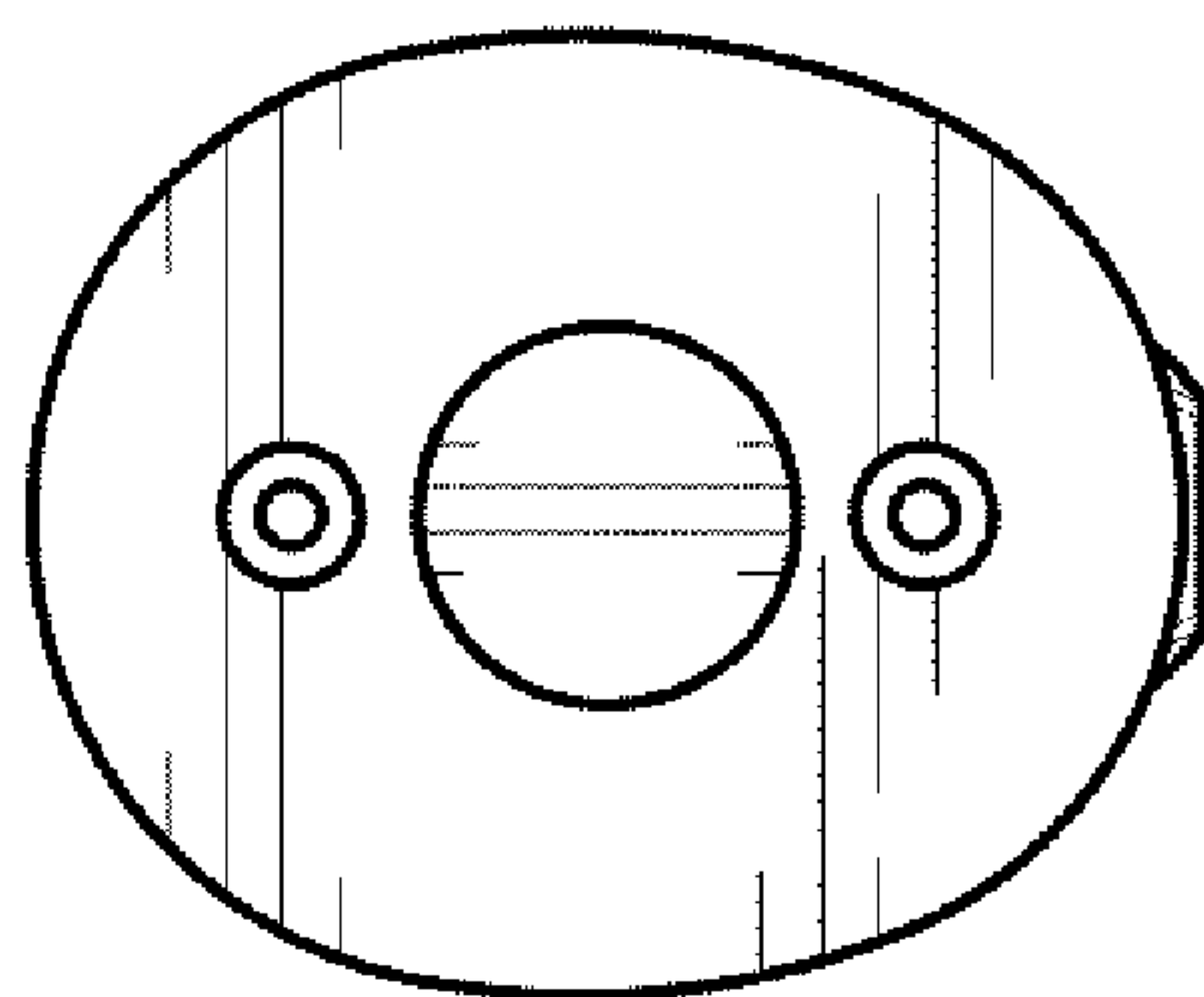


FIG. 8