

US00D648939S

(12) **United States Design Patent**  
**Hoppus et al.**

(10) **Patent No.:** **US D648,939 S**  
(45) **Date of Patent:** **\*\* Nov. 22, 2011**

- (54) **BIN**
- (75) Inventors: **Adam D. Hoppus**, Richfield, MN (US);  
**Jeffrey C. Carter**, Minneapolis, MN (US)
- (73) Assignee: **Target Brands, Inc.**, Minneapolis, MN (US)
- (\*\*) Term: **14 Years**
- (21) Appl. No.: **29/356,374**
- (22) Filed: **Feb. 24, 2010**
- (51) **LOC (9) Cl.** ..... **03-01**
- (52) **U.S. Cl.** ..... **D3/304**
- (58) **Field of Classification Search** ..... D3/200-201,  
D3/203.1, 203.3, 205-206, 273, 276, 304-315;  
D6/525, 475-476; D19/75-77, 86, 90, 92,  
D19/100; 206/203, 214-215, 822, 307.1;  
229/100, 913-914, 406  
See application file for complete search history.

(56) **References Cited**

U.S. PATENT DOCUMENTS

2,121,190 A 6/1938 Fellowes  
(Continued)

FOREIGN PATENT DOCUMENTS

AU B69962/91 10/1991  
(Continued)

OTHER PUBLICATIONS

Bin Publicly Offered for Sale in Target Stores, Jul. 2007, 2 pages.

(Continued)

*Primary Examiner* — Caron Veynar

*Assistant Examiner* — Kelley Donnelly

(74) *Attorney, Agent, or Firm* — Griffiths & Seaton PLLC

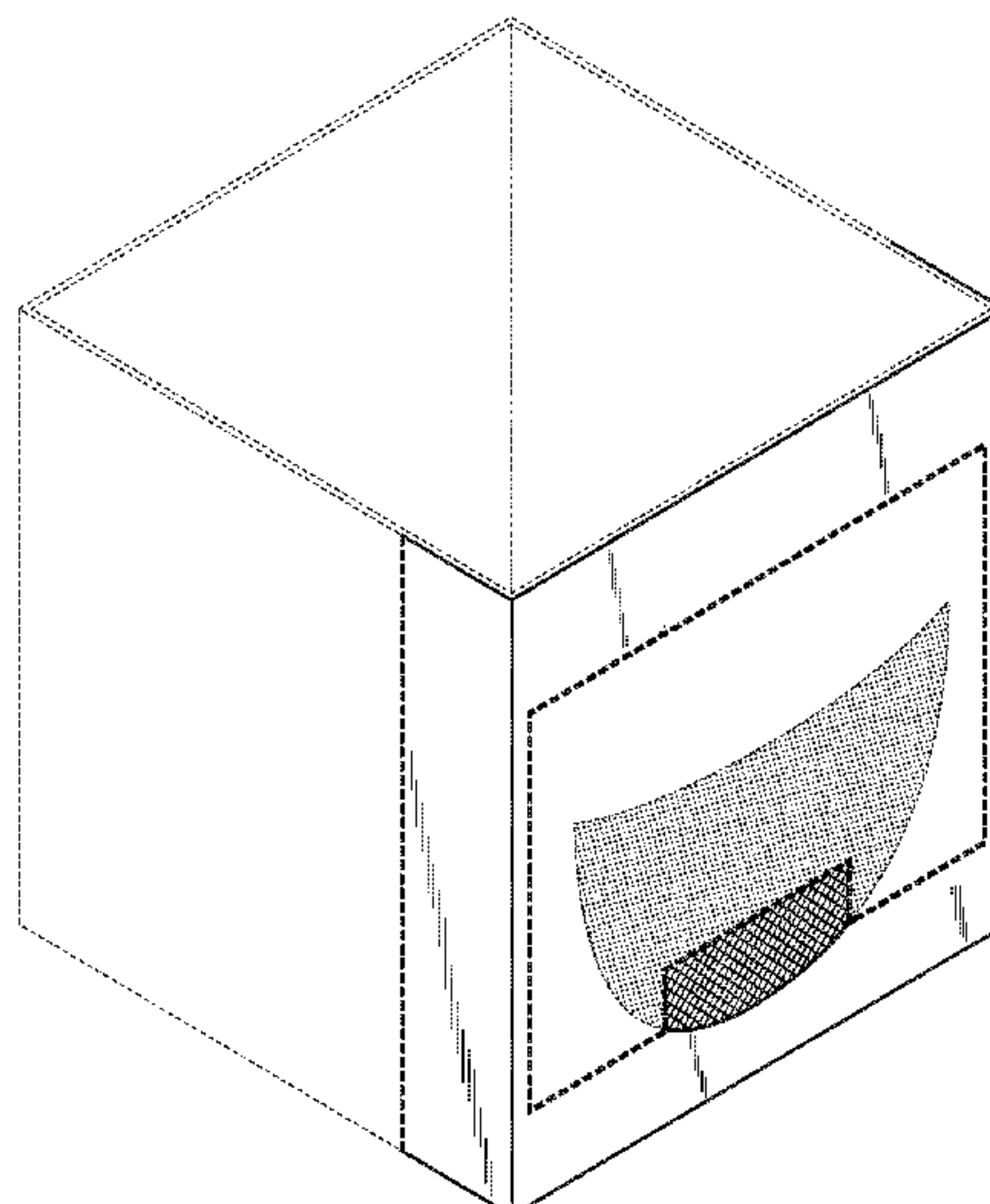
(57) **CLAIM**

The ornamental design for a bin, as shown and described.

**DESCRIPTION**

FIG. 1 is a front, perspective view of a bin showing a first embodiment of our new design;  
 FIG. 2 is a front view thereof;  
 FIG. 3 is a rear view thereof;  
 FIG. 4 is a top view thereof;  
 FIG. 5 is a bottom view thereof; and,  
 FIG. 6 is a left side view thereof, the right side view being a mirror image of the left side view.  
 FIG. 7 is a front, perspective view of a bin showing a second embodiment of our new design;  
 FIG. 8 is a front view thereof;  
 FIG. 9 is a rear view thereof;  
 FIG. 10 is a top view thereof;  
 FIG. 11 is a bottom view thereof; and  
 FIG. 12 is a left side view thereof, the right side view being a mirror image of the left side view.  
 FIG. 13 is a front, perspective view of a bin showing a third embodiment of our new design;  
 FIG. 14 is a front view thereof;  
 FIG. 15 is a rear view thereof;  
 FIG. 16 is a top view thereof;  
 FIG. 17 is a bottom view thereof; and  
 FIG. 18 is a left side view thereof, the right side view being a mirror image of the left side view.  
 FIG. 19 is a front perspective view of a bin showing a fourth embodiment of our new design;  
 FIG. 20 is a front view thereof;  
 FIG. 21 is a rear view thereof;  
 FIG. 22 is a top view thereof;  
 FIG. 23 is a bottom view thereof; and,  
 FIG. 24 is a left side view thereof, the right side view being a mirror image of the left side view.  
 The features shown in broken lines depict environmental subject matter and form no part of the claimed design. The heavy dashed broken lines which define the bounds of the claimed design form no part thereof.

**1 Claim, 16 Drawing Sheets**



U.S. PATENT DOCUMENTS

2,299,766 A 10/1942 Rosenthal  
 D158,479 S 5/1950 Long  
 3,027,045 A 3/1962 Wilson  
 D197,311 S 1/1964 Spaak  
 3,170,594 A 2/1965 Nascher  
 3,254,440 A 6/1966 Duggar  
 3,254,786 A 6/1966 Melville  
 3,279,873 A 10/1966 Gronquist  
 3,468,591 A 9/1969 Woldi  
 3,506,321 A 4/1970 Hampel  
 3,552,579 A 1/1971 Simon et al.  
 3,563,624 A 2/1971 Stice  
 3,583,780 A 6/1971 Berkowitz  
 3,655,065 A 4/1972 Yellin  
 3,661,434 A 5/1972 Alster  
 D225,815 S 1/1973 Torrey  
 3,722,704 A 3/1973 Piretti  
 3,722,971 A 3/1973 Zeischegg  
 3,743,372 A 7/1973 Ruggerone  
 3,822,924 A 7/1974 Lust  
 D232,812 S 9/1974 Ogle  
 3,836,217 A 9/1974 Shiina  
 3,836,218 A 9/1974 Hallal  
 3,853,367 A 12/1974 Jamison et al.  
 3,856,147 A 12/1974 Piretti  
 3,874,753 A 4/1975 Naito et al.  
 3,885,845 A 5/1975 Krieks  
 D238,051 S 12/1975 Fier, Jr.  
 3,975,877 A 8/1976 Walton  
 4,047,773 A 9/1977 Semany  
 4,050,604 A 9/1977 Flanders  
 D246,872 S 1/1978 White  
 D251,480 S 4/1979 Cherry  
 4,192,562 A 3/1980 Bishoff et al.  
 4,196,948 A 4/1980 Gavel et al.  
 D256,196 S 8/1980 Kates  
 4,261,627 A 4/1981 Felsenthal  
 D268,622 S 4/1983 Wolters et al.  
 4,403,554 A 9/1983 Valentine et al.  
 4,448,463 A 5/1984 Amos  
 4,470,647 A 9/1984 Bishoff et al.  
 4,704,313 A 11/1987 Maier  
 4,717,214 A 1/1988 Moore et al.  
 4,863,222 A 9/1989 Posso  
 D323,296 S 1/1992 Schoenthaler  
 D326,345 S 5/1992 Mandell et al.  
 5,119,610 A 6/1992 Birkeland et al.  
 5,147,120 A 9/1992 Ray  
 D330,161 S 10/1992 Schuh  
 5,176,435 A 1/1993 Pipkens  
 D334,815 S \* 4/1993 Bunger ..... D25/113  
 D349,646 S 8/1994 Dickinson  
 5,357,728 A 10/1994 Duncanson  
 D360,898 S 8/1995 Hureto et al.  
 5,464,295 A 11/1995 Dailot  
 5,466,058 A 11/1995 Chan  
 5,477,594 A 12/1995 LePage  
 5,486,041 A 1/1996 Sykes  
 5,492,399 A 2/1996 Tillack  
 5,497,888 A 3/1996 Michaels et al.  
 D376,259 S 12/1996 Dickinson et al.  
 5,588,726 A 12/1996 Lee  
 5,647,649 A 7/1997 Kao  
 5,680,744 A 10/1997 Kramedjian et al.  
 D387,559 S 12/1997 Williamson  
 5,716,116 A 2/1998 Carlson et al.  
 5,720,547 A 2/1998 Baird  
 5,775,046 A 7/1998 Fanger et al.  
 D399,648 S \* 10/1998 Hilton ..... D3/201  
 D404,571 S 1/1999 Evans  
 5,921,646 A 7/1999 Hwang  
 5,941,616 A 8/1999 Billingham  
 6,024,626 A 2/2000 Mendelsohn  
 D421,678 S 3/2000 Levy  
 D423,171 S \* 4/2000 Alcala et al. .... D34/19  
 D427,769 S 7/2000 Zimmerman  
 6,113,203 A 9/2000 Chen  
 D431,907 S 10/2000 Andujar et al.

D437,706 S 2/2001 Alcala et al.  
 6,488,346 B2 12/2002 Chen  
 6,508,021 B2 1/2003 Ong  
 6,557,955 B2 5/2003 Saravis  
 D495,248 S 8/2004 Krebs et al.  
 6,820,950 B1 11/2004 Sun  
 6,848,758 B1 2/2005 Yeh et al.  
 6,938,966 B1 9/2005 Rouwhorst  
 RE38,836 E 10/2005 Krause et al.  
 6,962,262 B2 11/2005 Toma  
 6,971,529 B1 12/2005 Shapiro  
 6,991,115 B2 1/2006 Chow et al.  
 7,048,346 B2 5/2006 Saravis  
 D540,039 S 4/2007 van Beuningen  
 7,231,740 B2 6/2007 Jirele  
 D565,664 S \* 4/2008 Gusdorf ..... D19/90  
 7,507,136 B2 3/2009 Patton  
 D601,201 S \* 9/2009 Nelson ..... D19/90  
 D602,255 S \* 10/2009 Ahlgrim et al. .... D3/304  
 D611,270 S \* 3/2010 Castillo Higareda ..... D6/475  
 D632,892 S \* 2/2011 Zalewski et al. .... D3/273  
 D641,620 S \* 7/2011 Hammond et al. .... D9/432  
 2002/0185941 A1 12/2002 Ferraro et al.  
 2003/0193274 A1 10/2003 Saravis  
 2003/0222545 A1 12/2003 Stravitz  
 2004/0164653 A1 8/2004 Winkless  
 2004/0217677 A1 11/2004 Durand et al.  
 2005/0006991 A1 1/2005 Saravis  
 2005/0077805 A1 4/2005 Dalebout et al.  
 2005/0104483 A1 5/2005 Saravis  
 2006/0080928 A1 4/2006 Kichijo et al.  
 2006/0244348 A1 11/2006 Richied et al.  
 2006/0250052 A1 11/2006 Davis et al.  
 2008/0011697 A1 1/2008 Berg  
 2008/0017596 A1 1/2008 Brock  
 2010/0087304 A1 \* 4/2010 Little ..... 493/89

FOREIGN PATENT DOCUMENTS

DE 3020836 A 12/1981  
 DE 3302105 7/1983  
 DE 3933611 4/1991  
 DE 4313330 9/1994  
 DE 19735185 2/1999  
 DE 19949849 2/2001  
 DE 20309712 U 8/2003  
 EP 0270495 6/1988  
 EP 0614017 9/1994  
 EP 0801912 10/1997  
 FR 2316679 1/1977  
 FR 2376677 8/1978  
 FR 2862356 5/2005  
 GB 2101202 A 1/1983  
 GB 2206280 1/1989  
 GB 2231820 A 11/1990  
 GB 2355672 5/2001  
 GB 2370239 A 6/2002  
 WO 8700406 1/1987  
 WO 9920153 4/1999  
 WO 0127395 4/2001

OTHER PUBLICATIONS

Shopwiki, "Organizer Bins-Lookers-Locker Organizers-Magnetic Storage Bins," [http://www.shopwiki.com/\\_Organizer+Bins++Lookers++Locker+Organizers+++Magnetic+Storage+Bins](http://www.shopwiki.com/_Organizer+Bins++Lookers++Locker+Organizers+++Magnetic+Storage+Bins), printed on Aug. 2, 2009, 2 pages.  
 U.S. Appl. No. 12/554,028, entitled "Storage and Organization System with Stackable Shells," filed Sep. 4, 2009.  
 U.S. Appl. No. 12/554,304, entitled "Storage and Organization System and Connectivity of the Components therein," filed Sep. 4, 2009.  
 U.S. Appl. No. 29/333,915, entitled "Storage Unit and Storage Unit Portions," filed Mar. 17, 2009.  
 "iCube, my cube, my space™", materials publicly provided in an offer to sell the associated product at least as early as Apr. 23, 2008, 22 pages.  
 Egan Visual, Inc., "Modular Storage . . . configured to your requirements," 2004, 2 pages.



Egan Visual, Inc., “Finish Schedule,” Price and Specification Guide, Jul. 2002, 11 pages.

Egan Visual, Inc., “Finish Schedule,” Price and Specification Guide, Jul. 2002, 3 pages.

Egan Visual, Inc., “Mobile Task Carts & Lockers—Product Design Rationale,” 2004, 2 pages.

Moduline Modular Aluminum Cabinets, “Moduline Pro-Series Combinations—Trailer Cabinets Organize With Style!—Modular Aluminum Storage Cabinets,” printed from [www.modulinecabinets.com](http://www.modulinecabinets.com) in May 2006, 3 pages.

“elfa® Platinum Garage System,” printed from [www.organize.com](http://www.organize.com) in May 2006, 2 pages.

“The Cube Storage System,” printed from [www.organize.com](http://www.organize.com) in May 2006, 2 pages.

“Storage Cubes: A Unique 5 Piece Modular Storage System—Cherry,” printed from [www.organize.com](http://www.organize.com) in May 2006, 2 pages.

“elfa® Basic 9' Double Hang Closet,” printed from [www.organize.com](http://www.organize.com) in May 2006, 2 pages.

“Closits Modular Furniture System—Maple,” printed from [www.target.com](http://www.target.com) in May 2006, 3 pages.

“QBO Storage Solution,” [www.topdeq.com/topdeq/product.do?catid=us\\_75&prodid=pp\\_QBO](http://www.topdeq.com/topdeq/product.do?catid=us_75&prodid=pp_QBO), printed in May 2006, 2 pages.

“Cubo Modular Storage,” [www.topdeq.com/topdeq/product.do?catid=us\\_75&prodid=pp\\_CUBIC](http://www.topdeq.com/topdeq/product.do?catid=us_75&prodid=pp_CUBIC), printed in May 2006, 3 pages.

Storage Member publicly available in Ikea stores at least as early as Jan. 2000.

\* cited by examiner

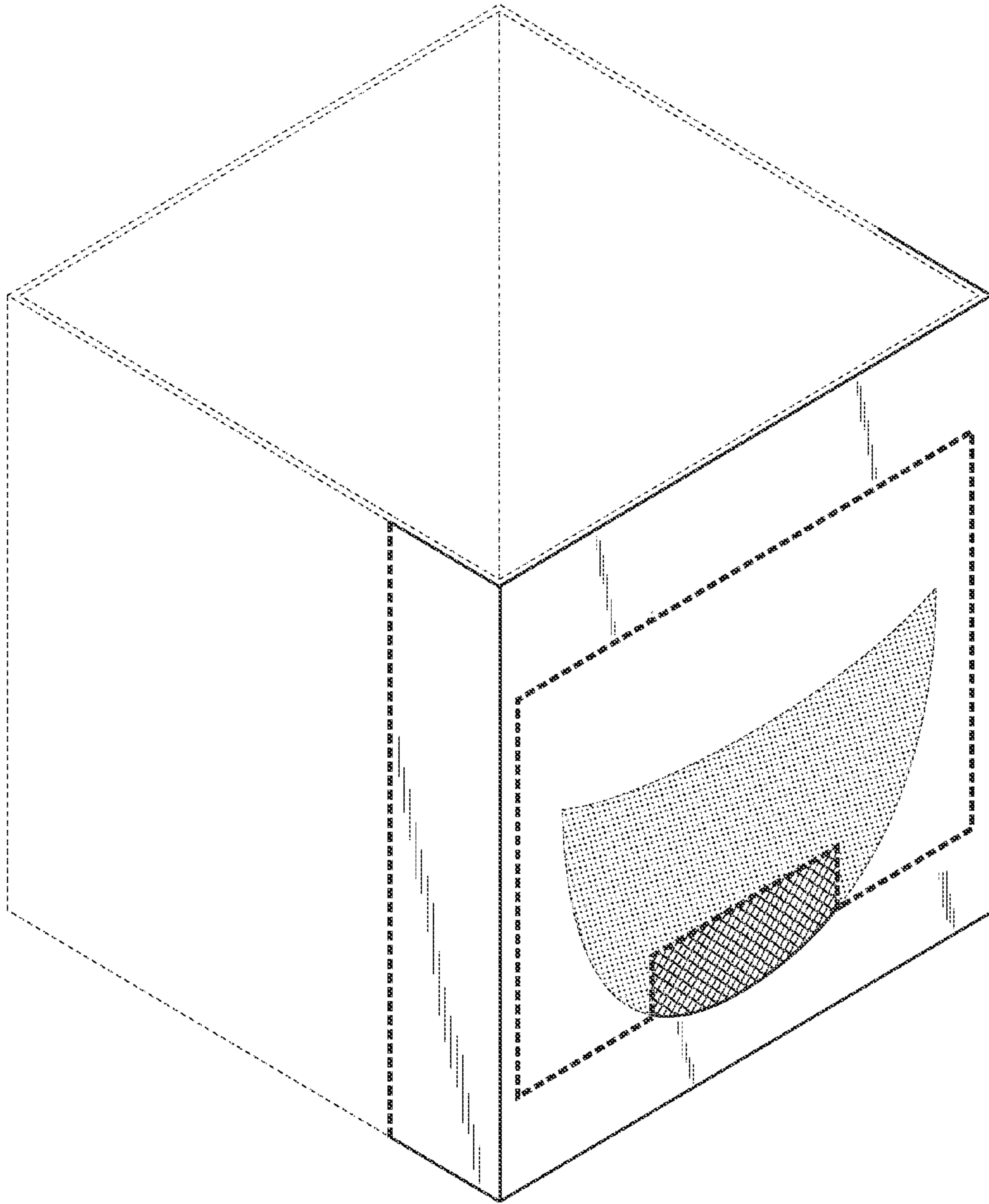


Fig. 1

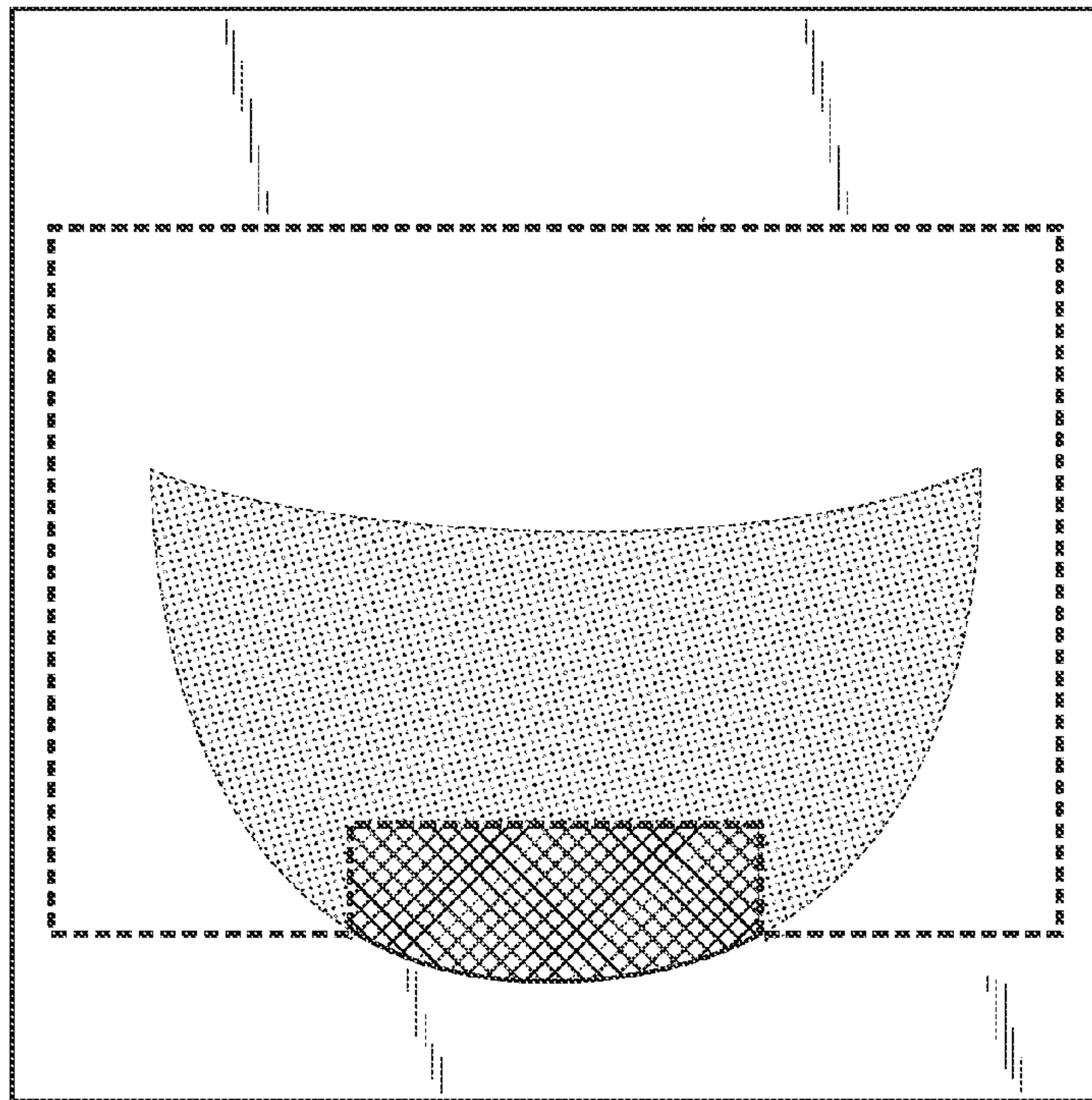
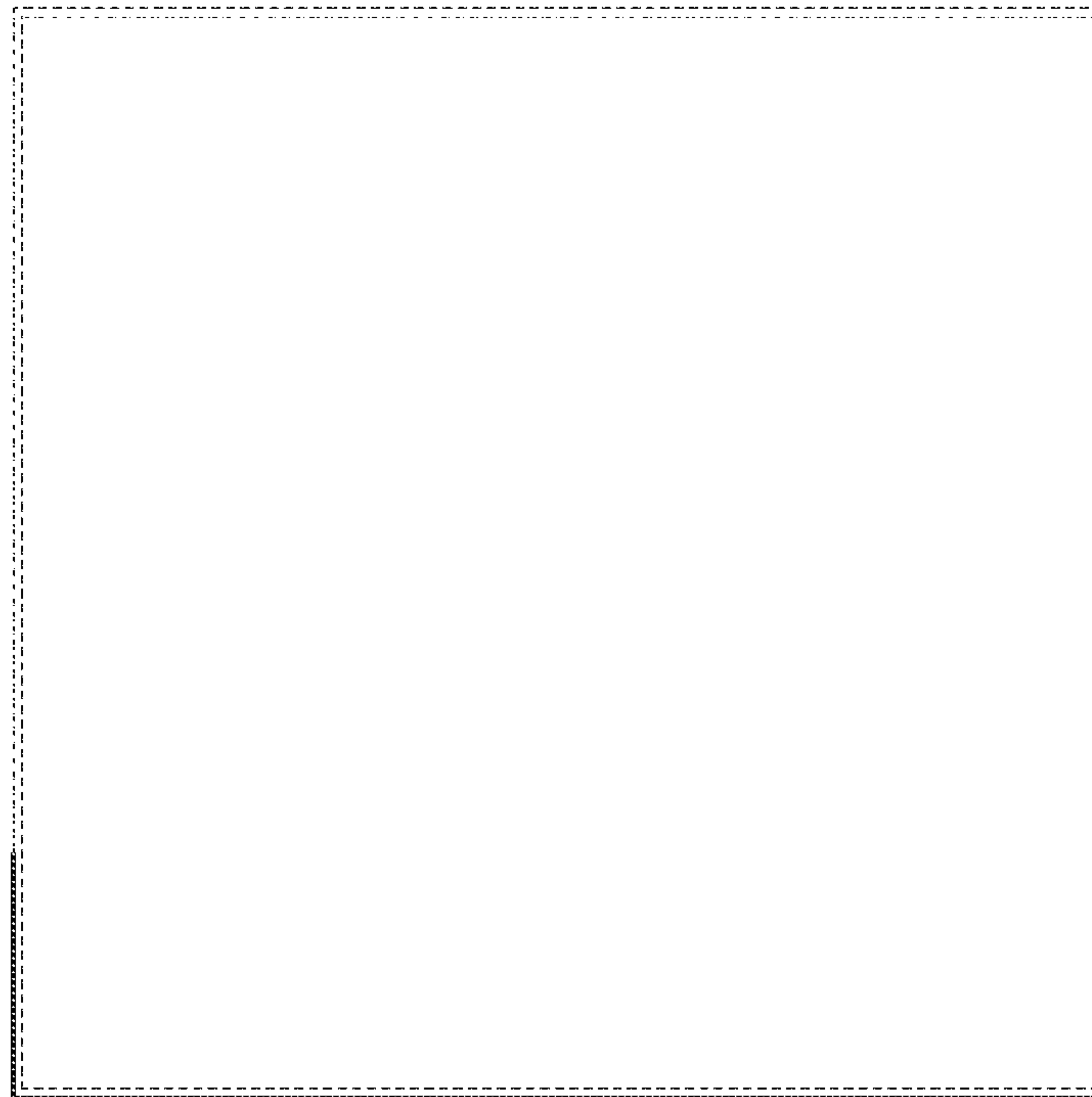


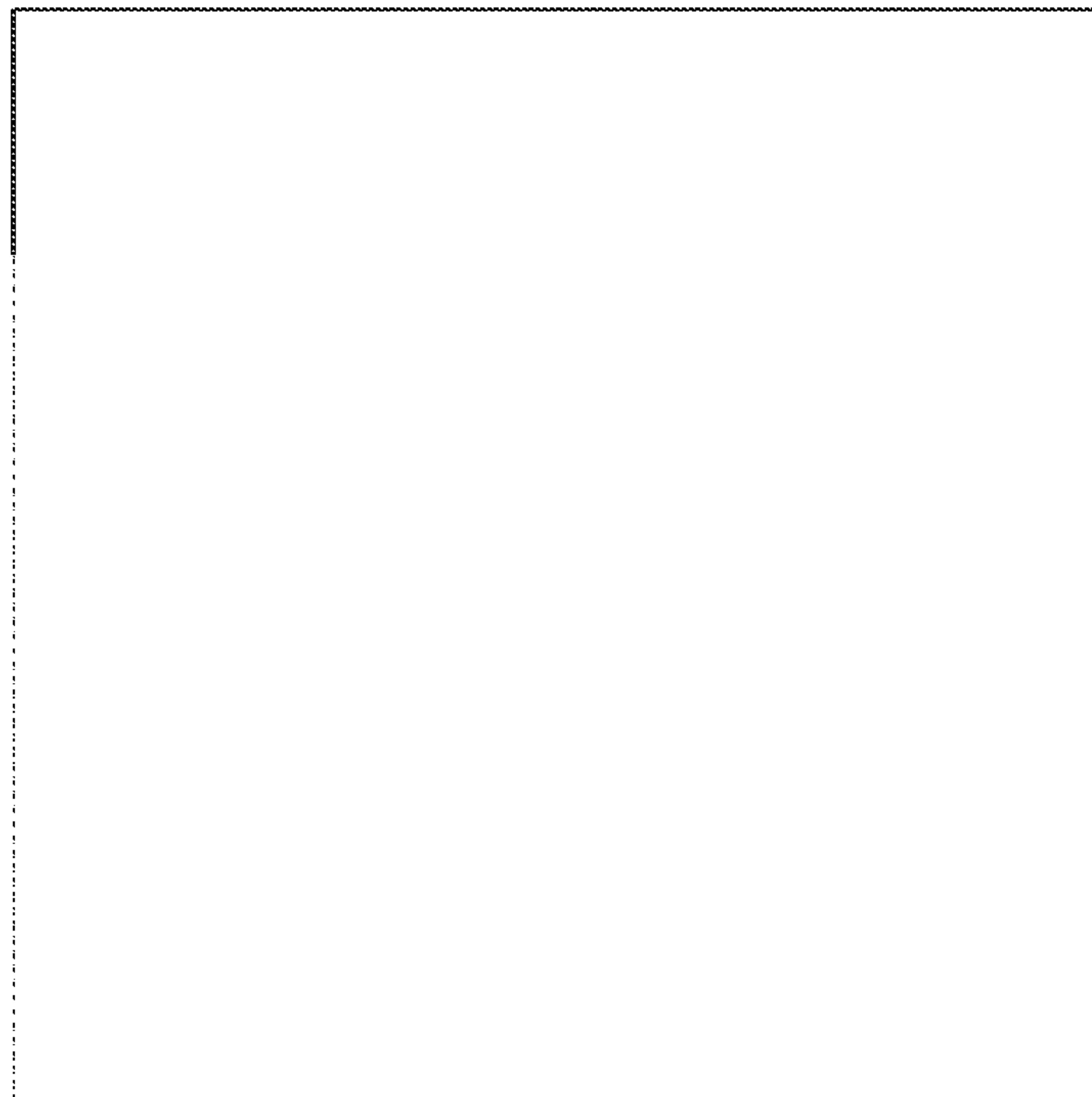
Fig. 2



Fig. 3



**Fig. 4**



**Fig. 5**

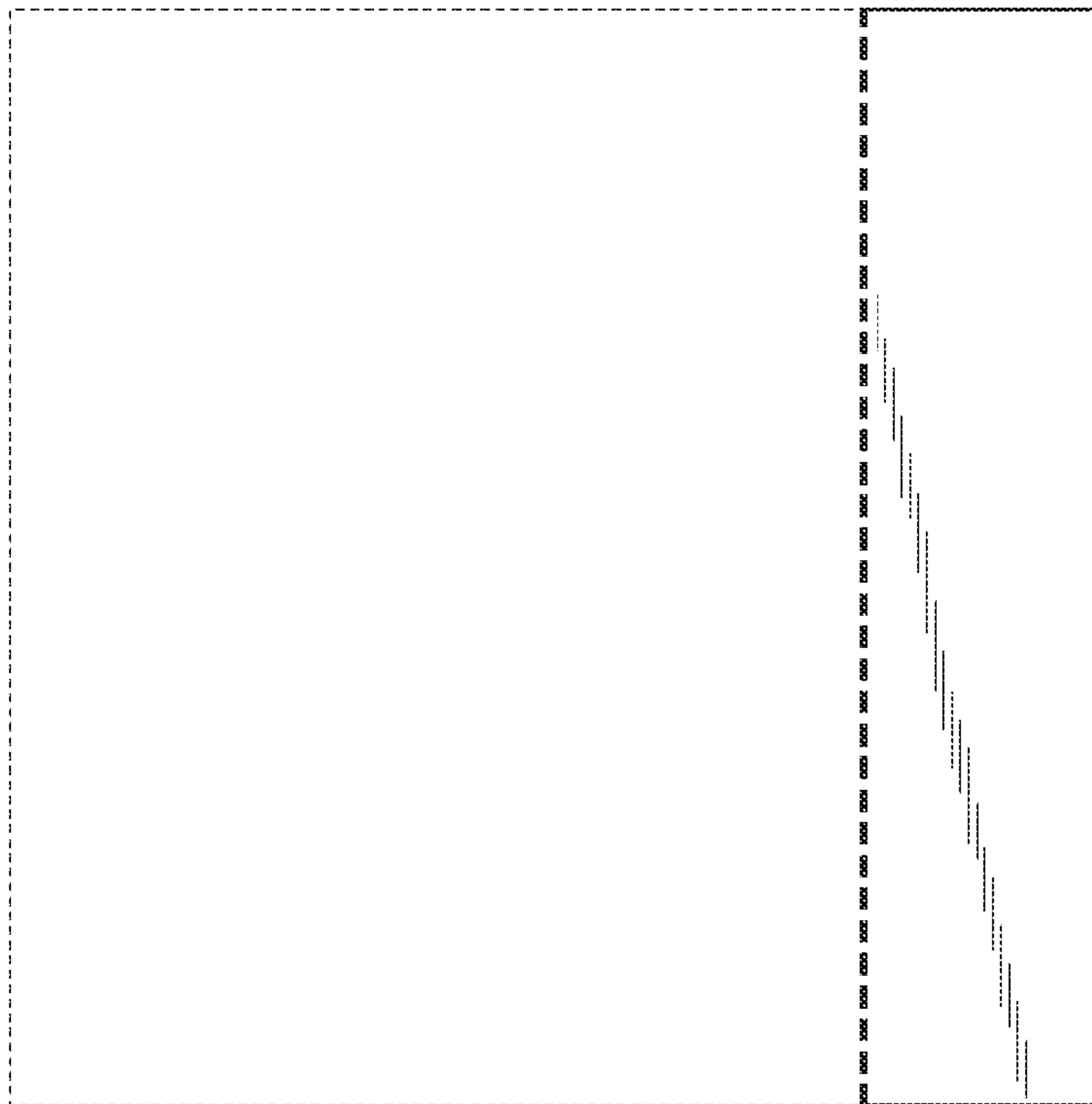


Fig. 6

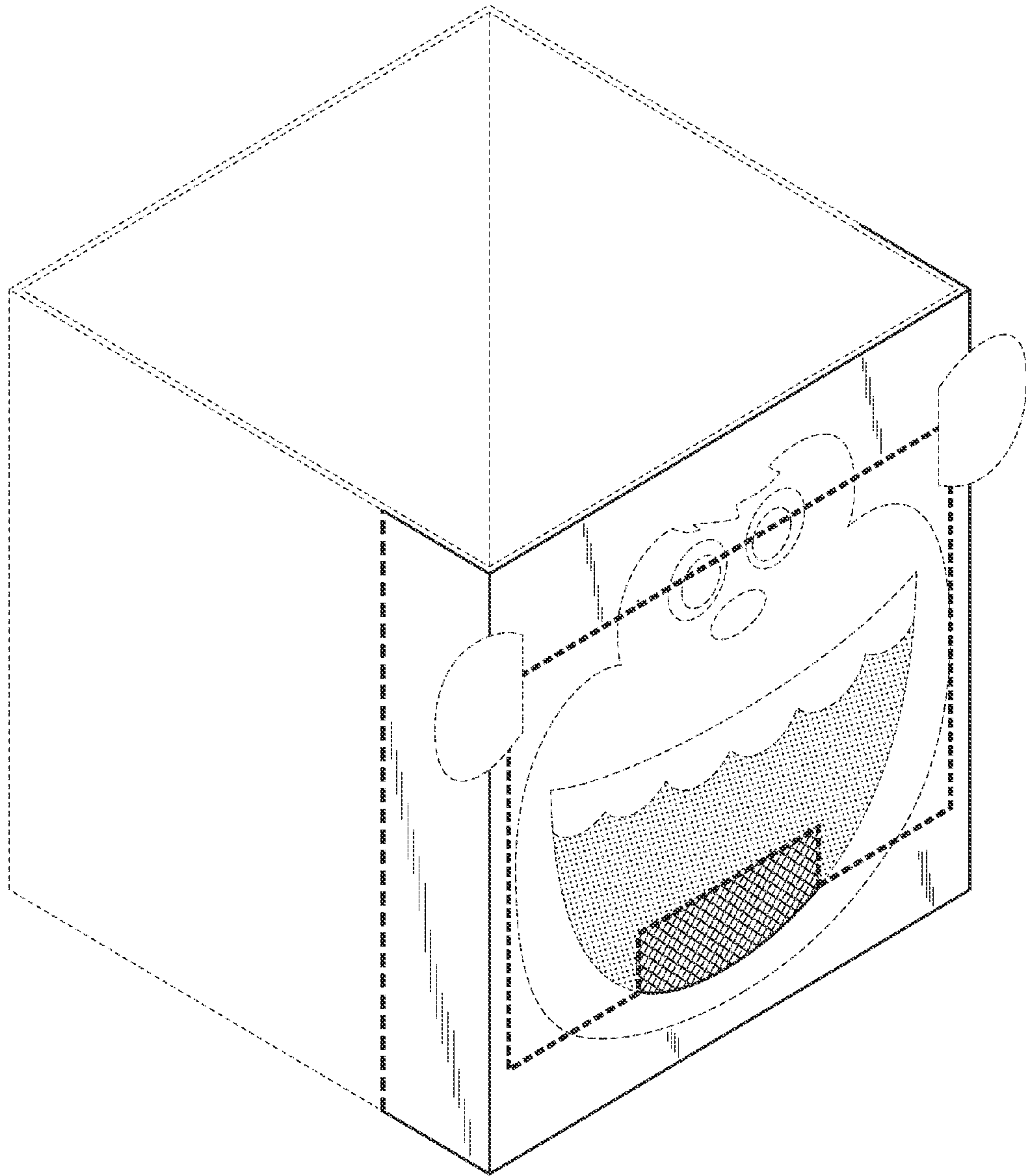


Fig. 7



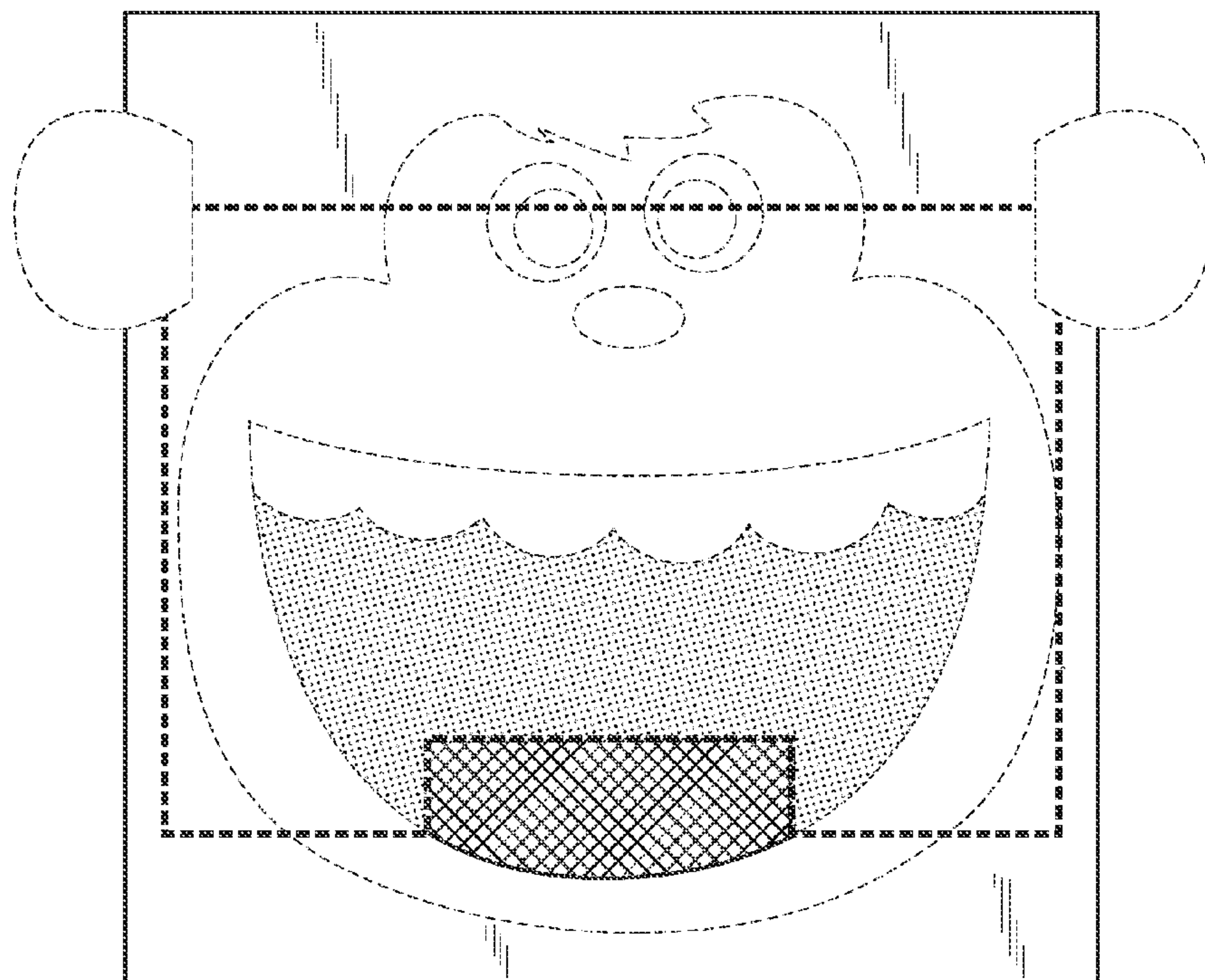


Fig. 8

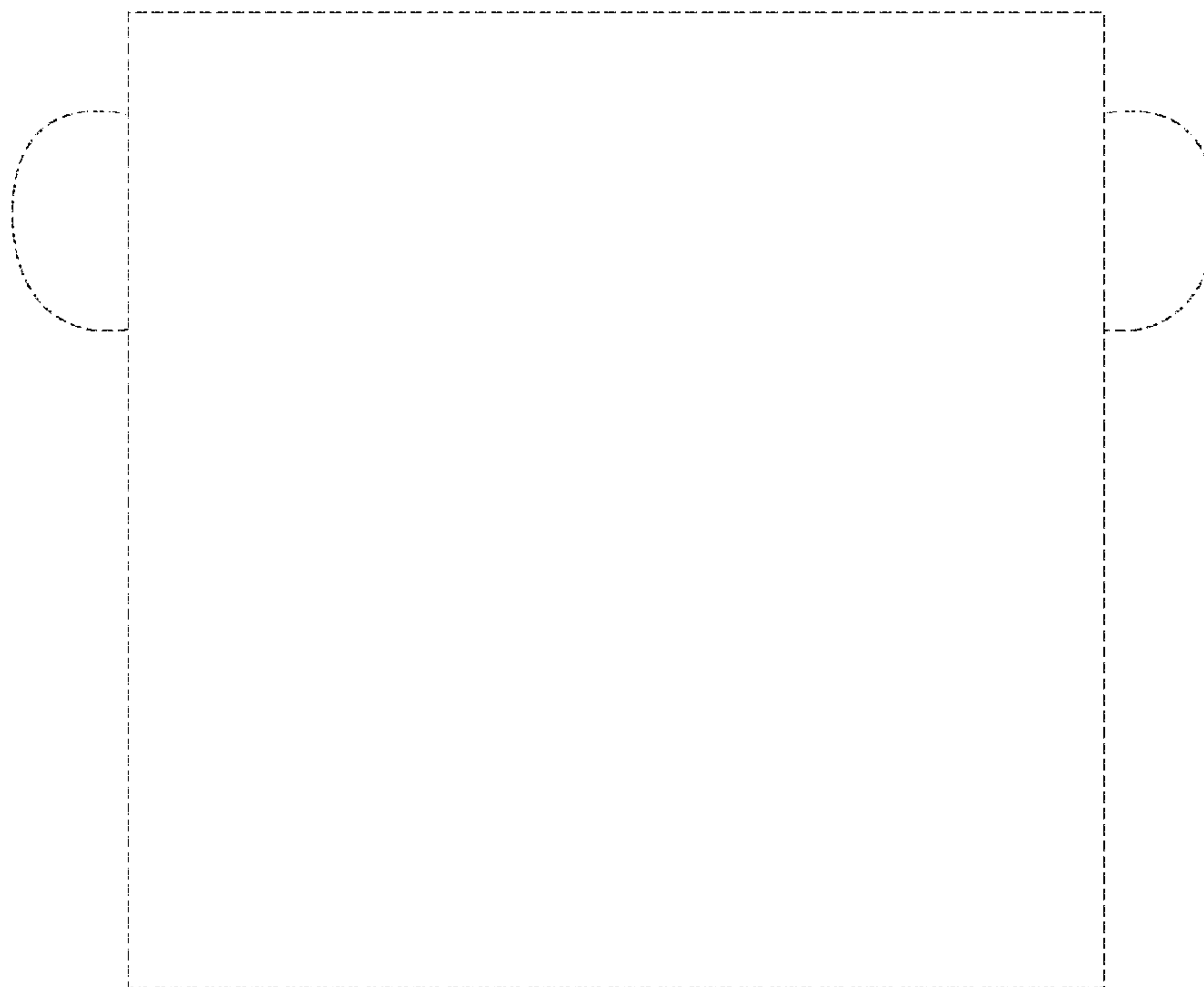
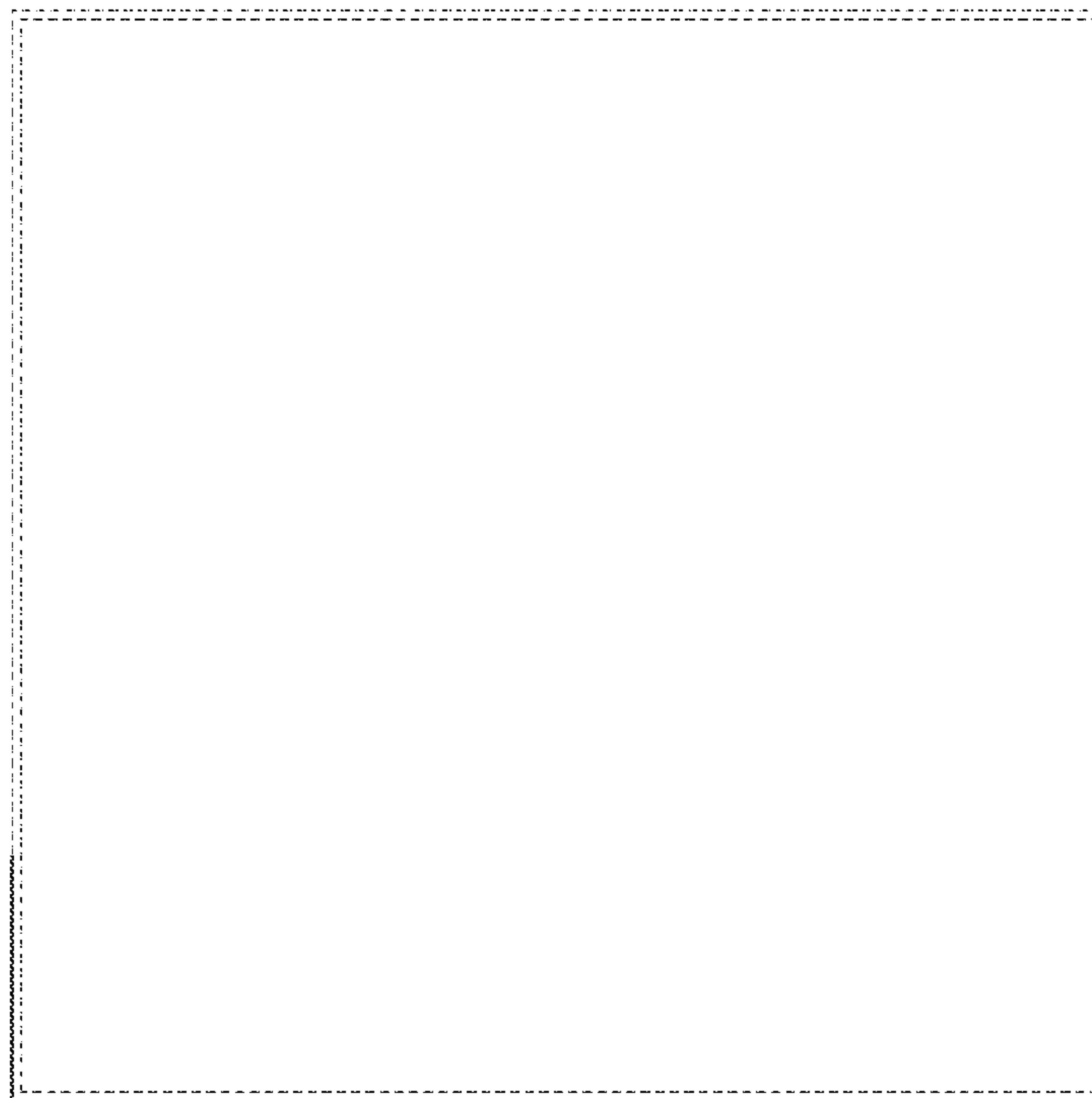
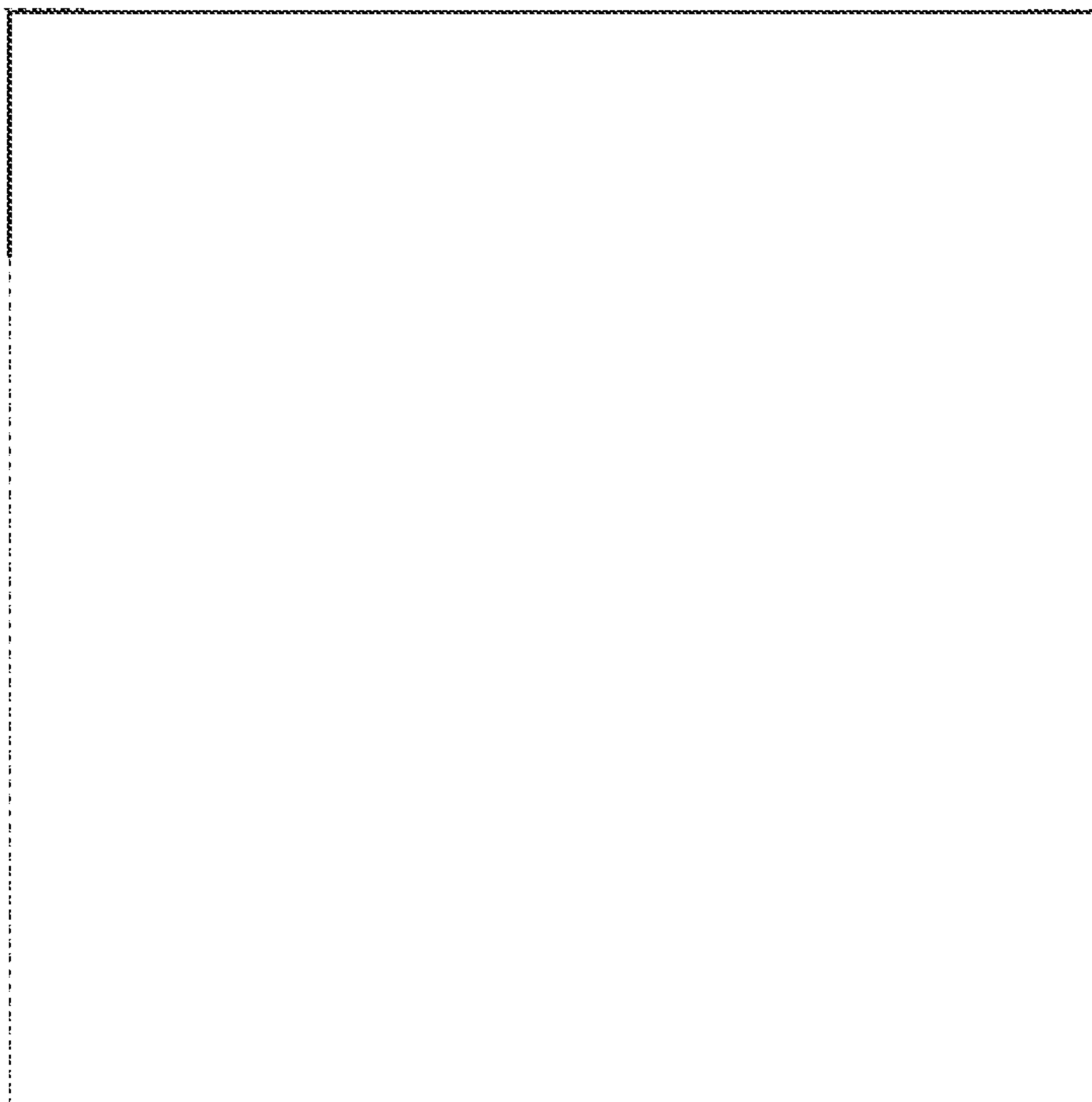


Fig. 9



**Fig. 10**



**Fig. 11**

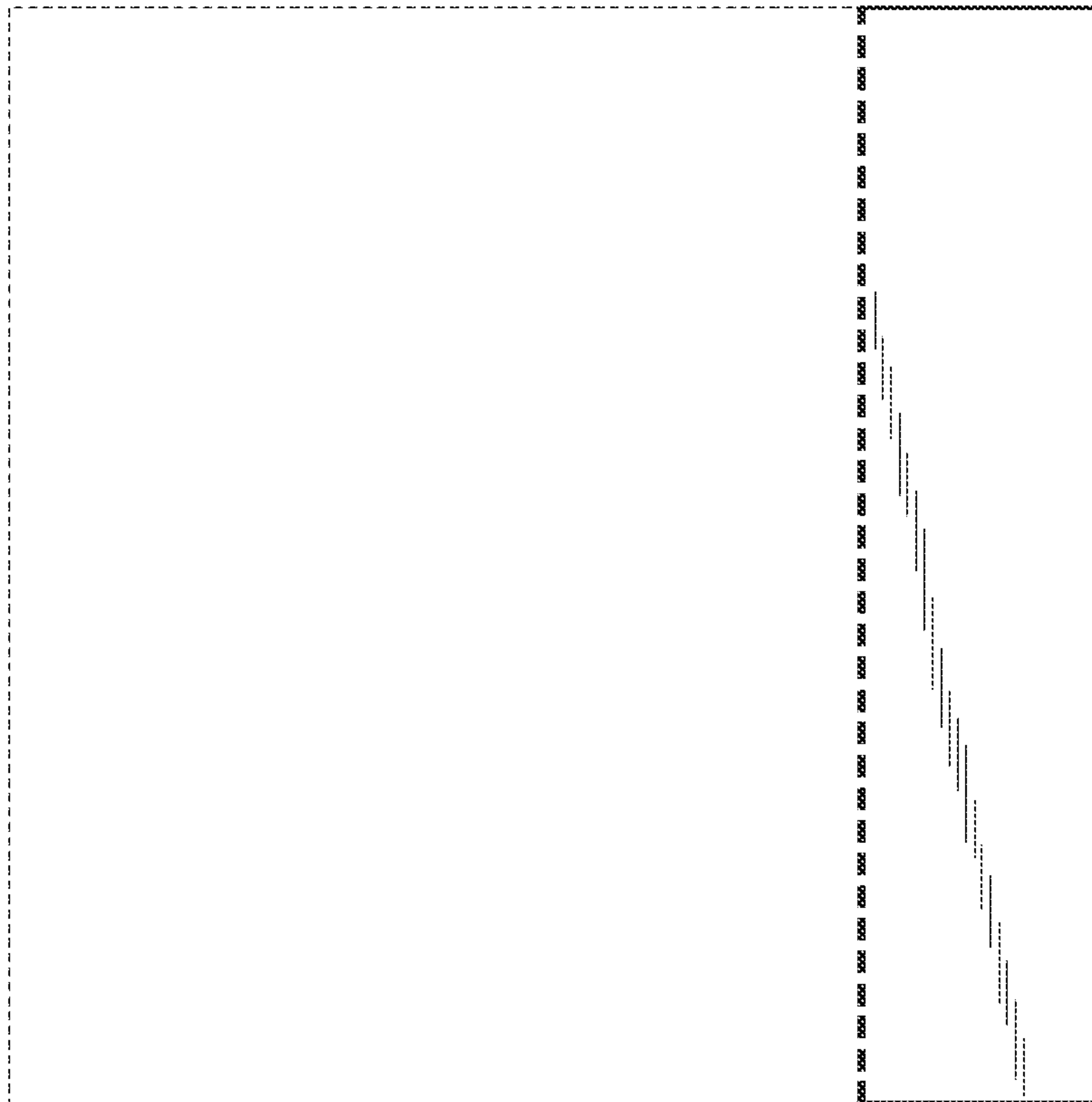


Fig. 12

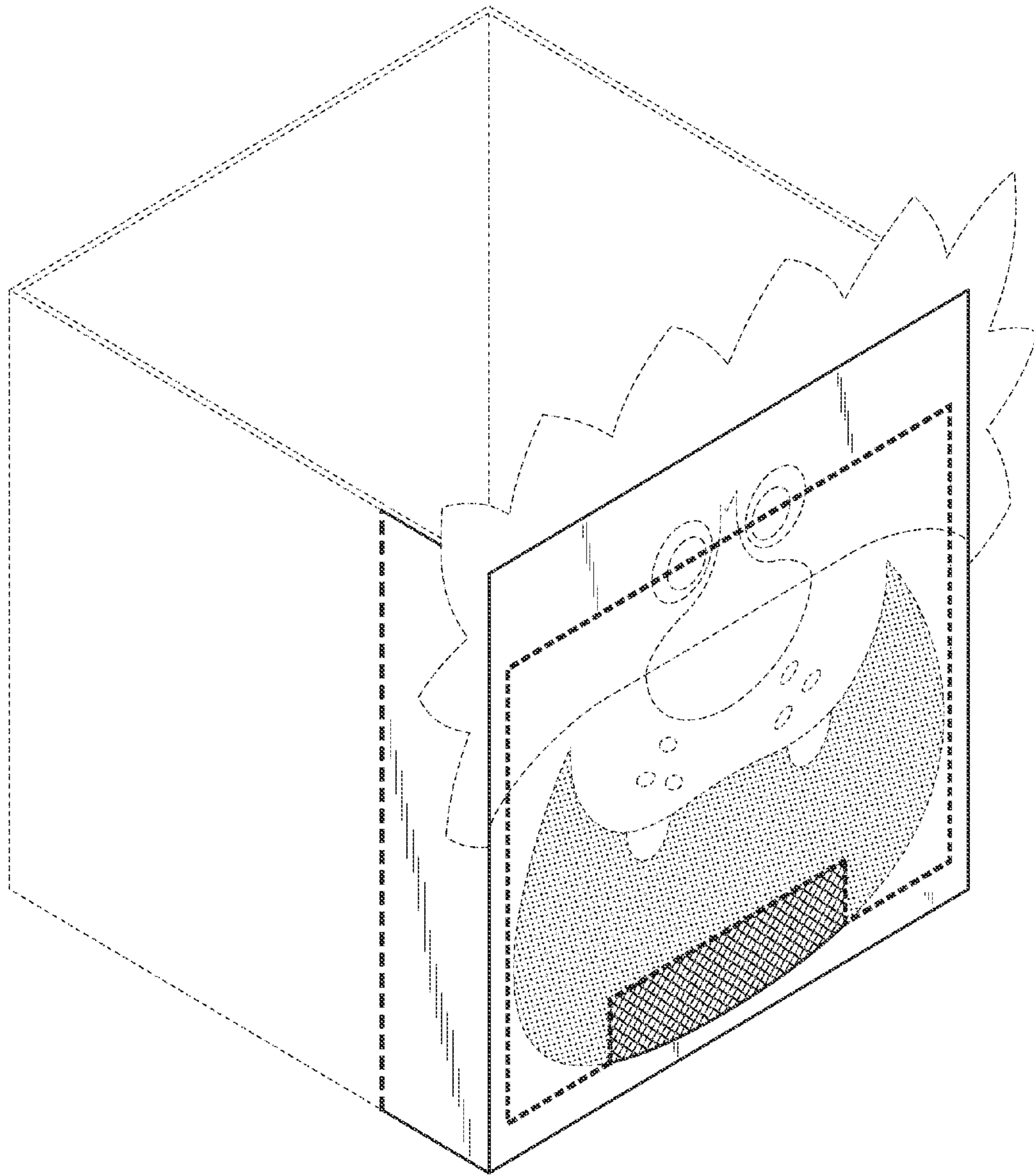


Fig. 13



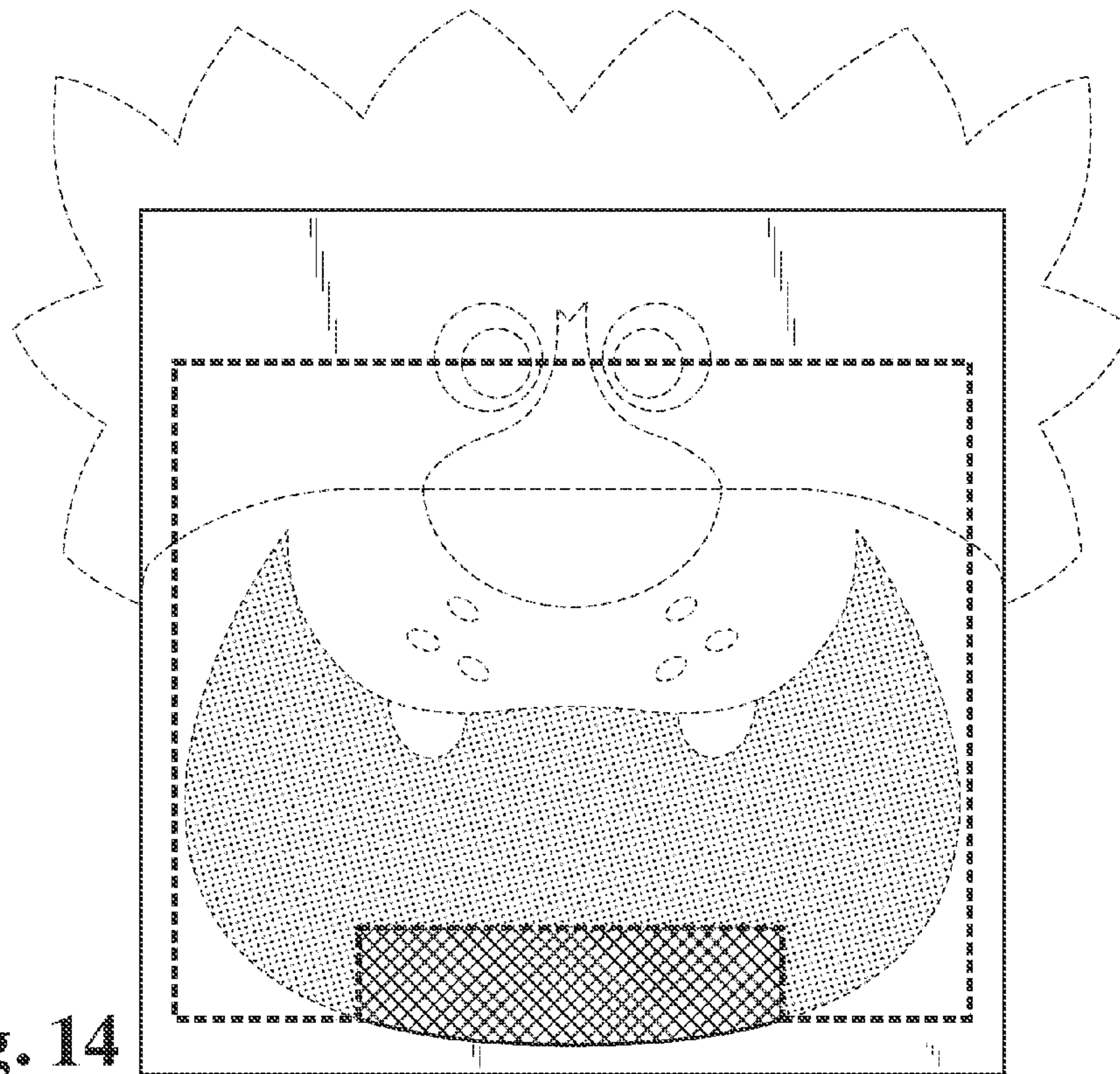


Fig. 14

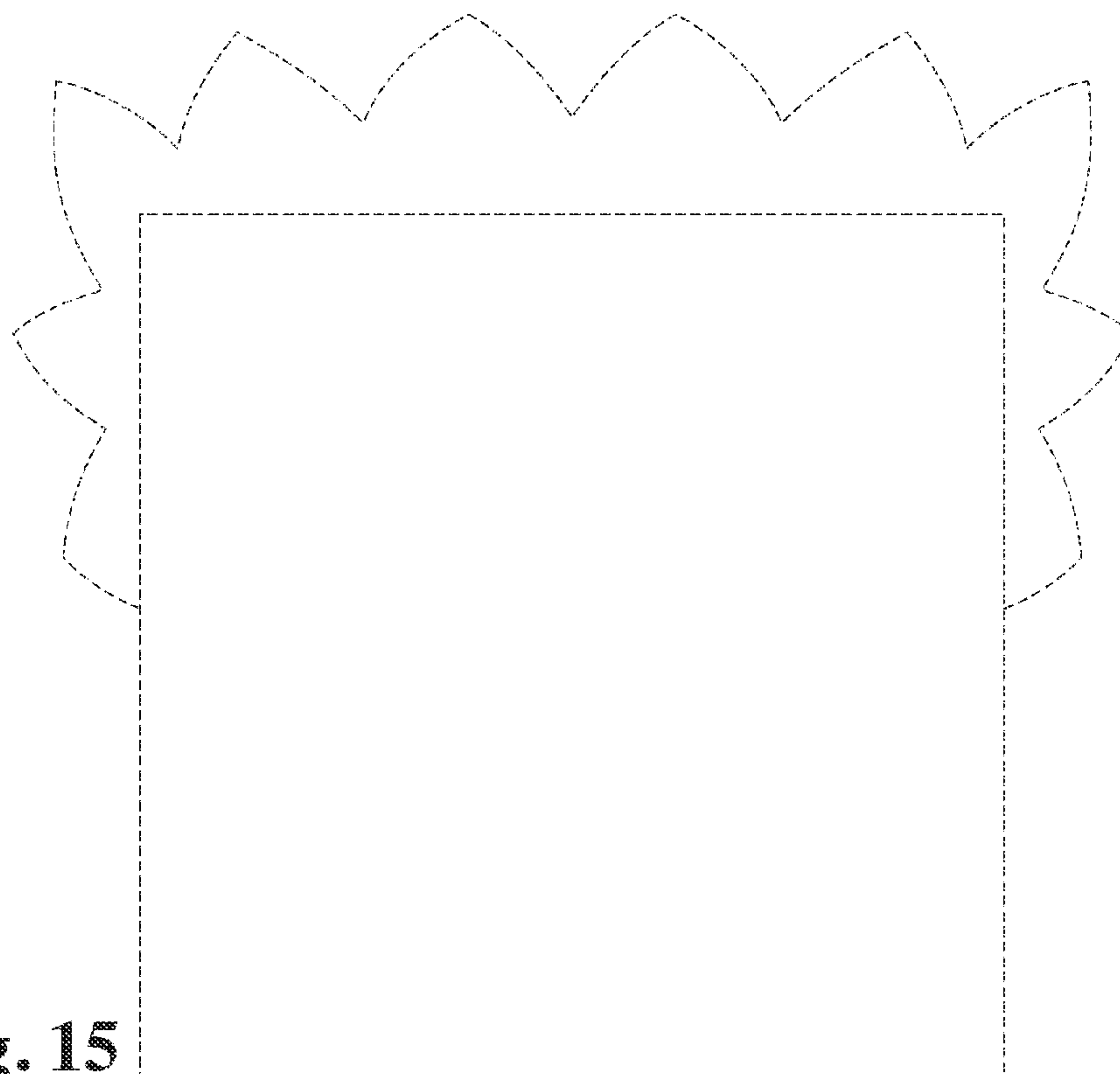
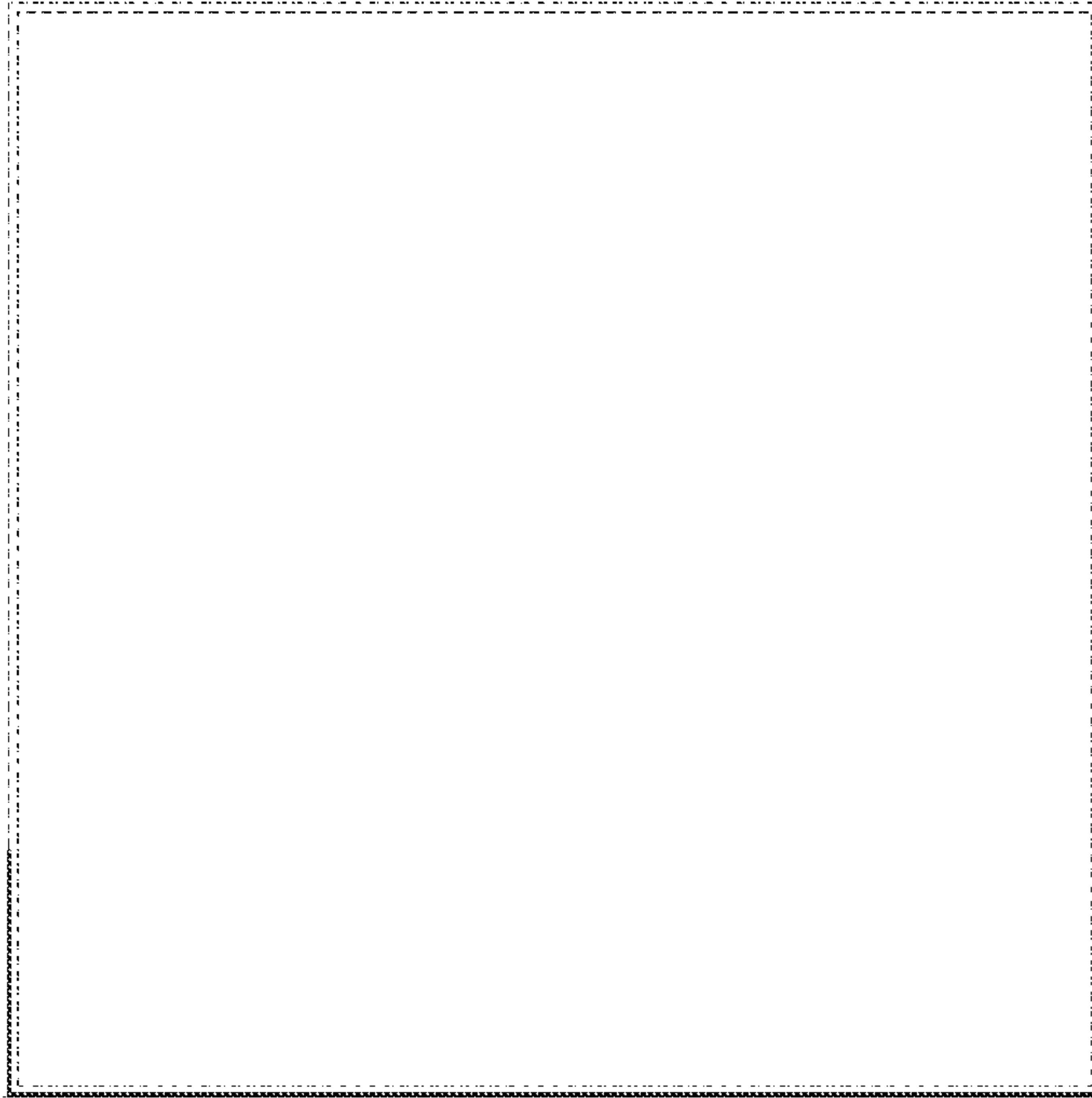
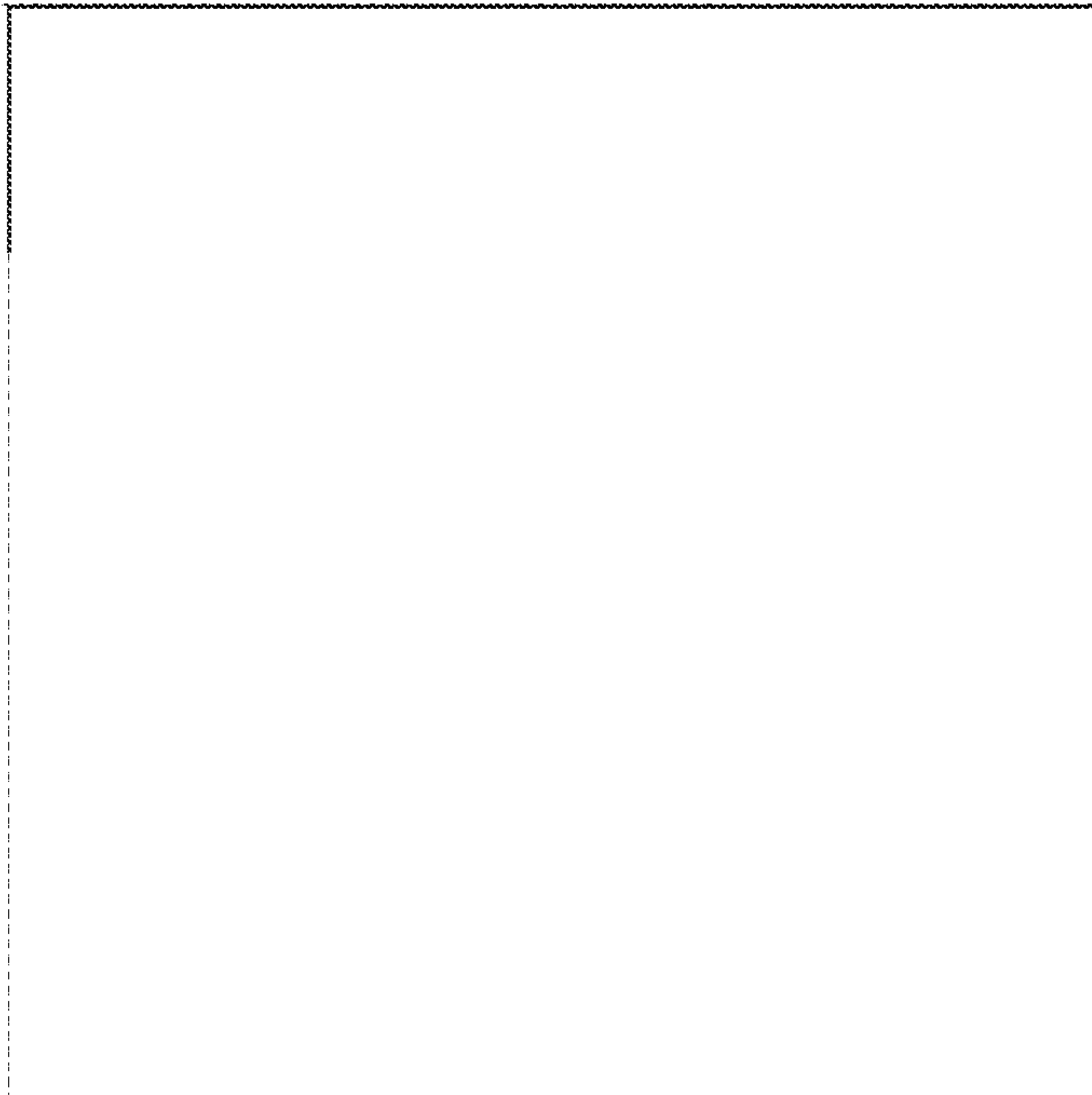


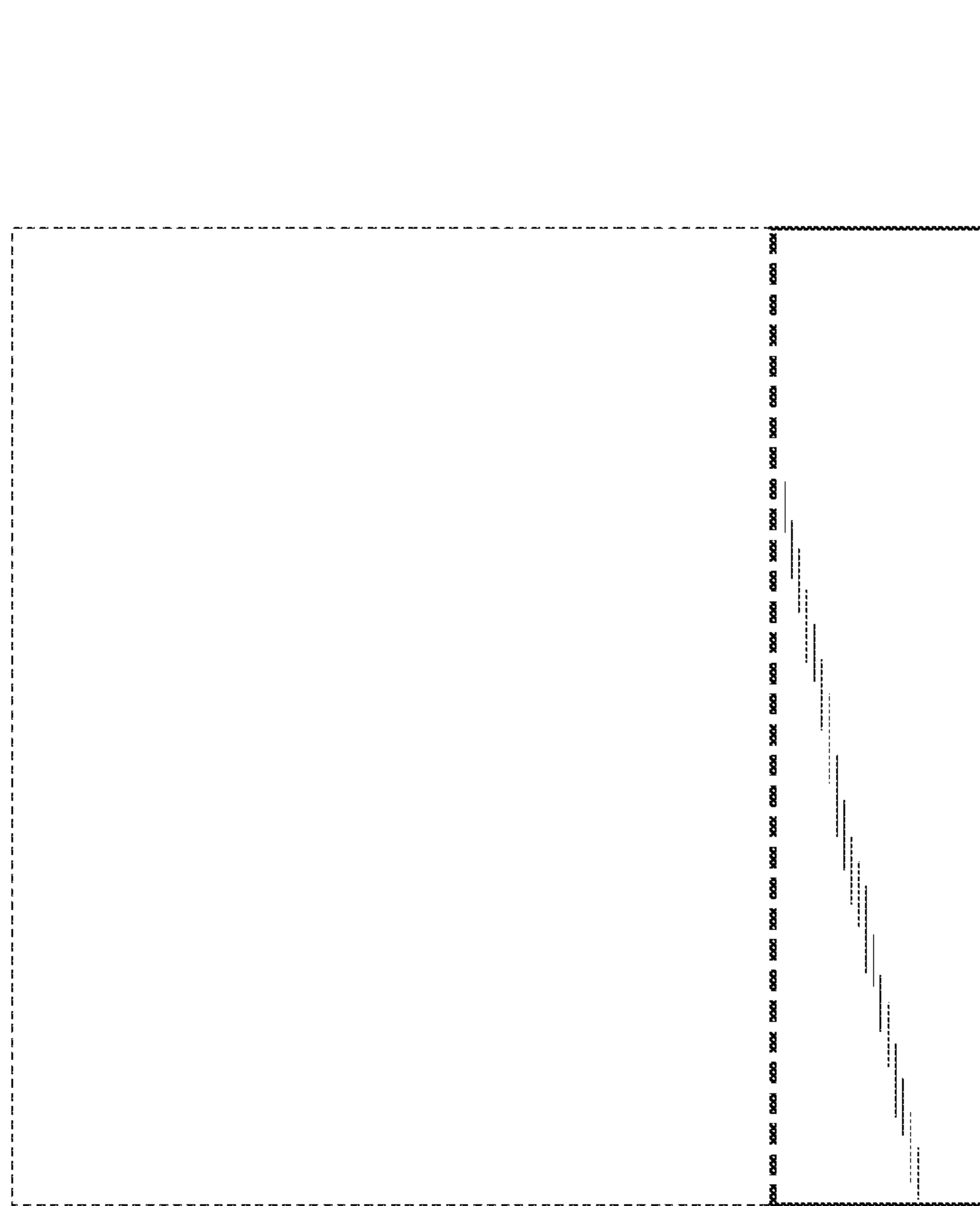
Fig. 15



**Fig. 16**



**Fig. 17**



**Fig. 18**

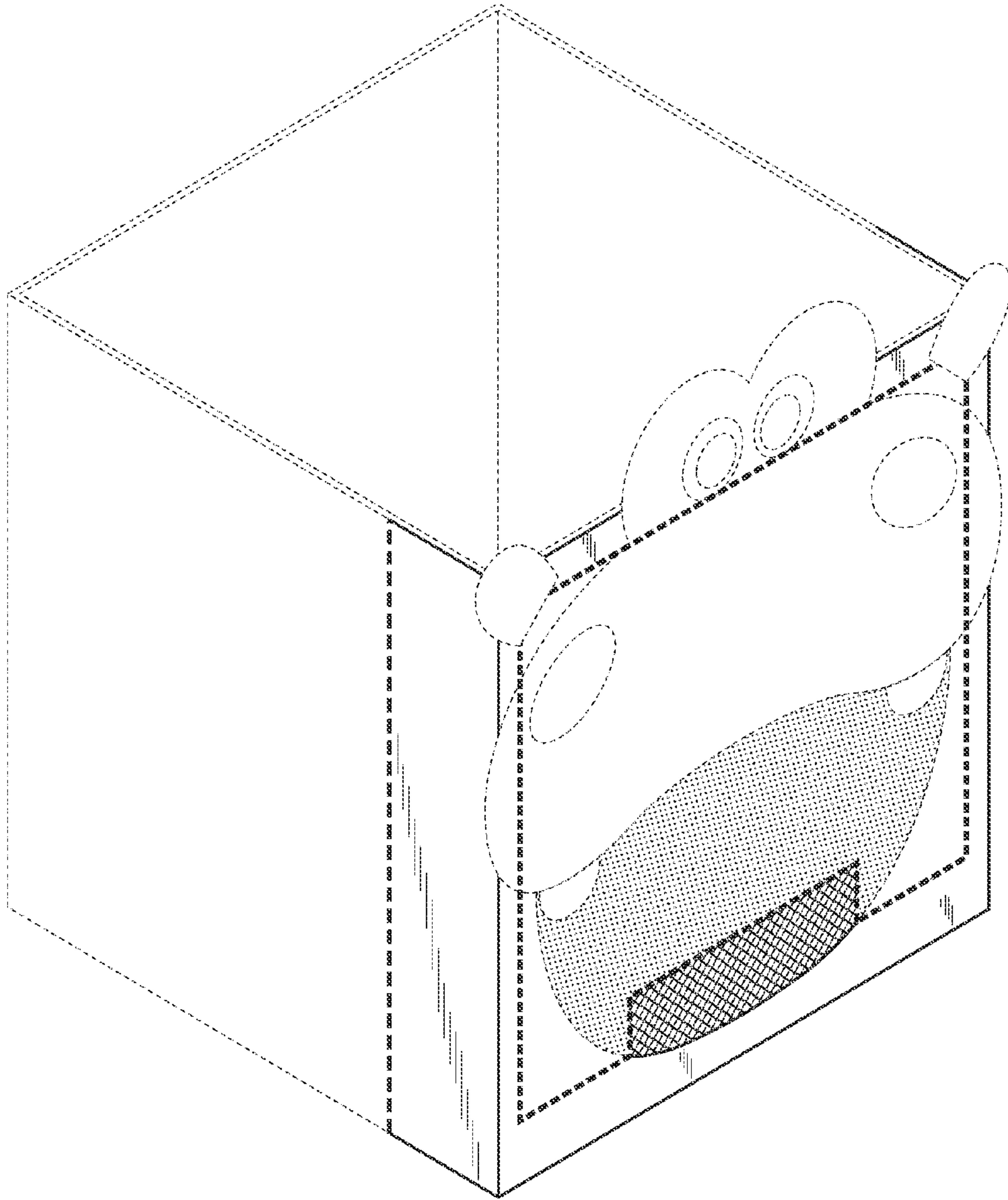


Fig. 19



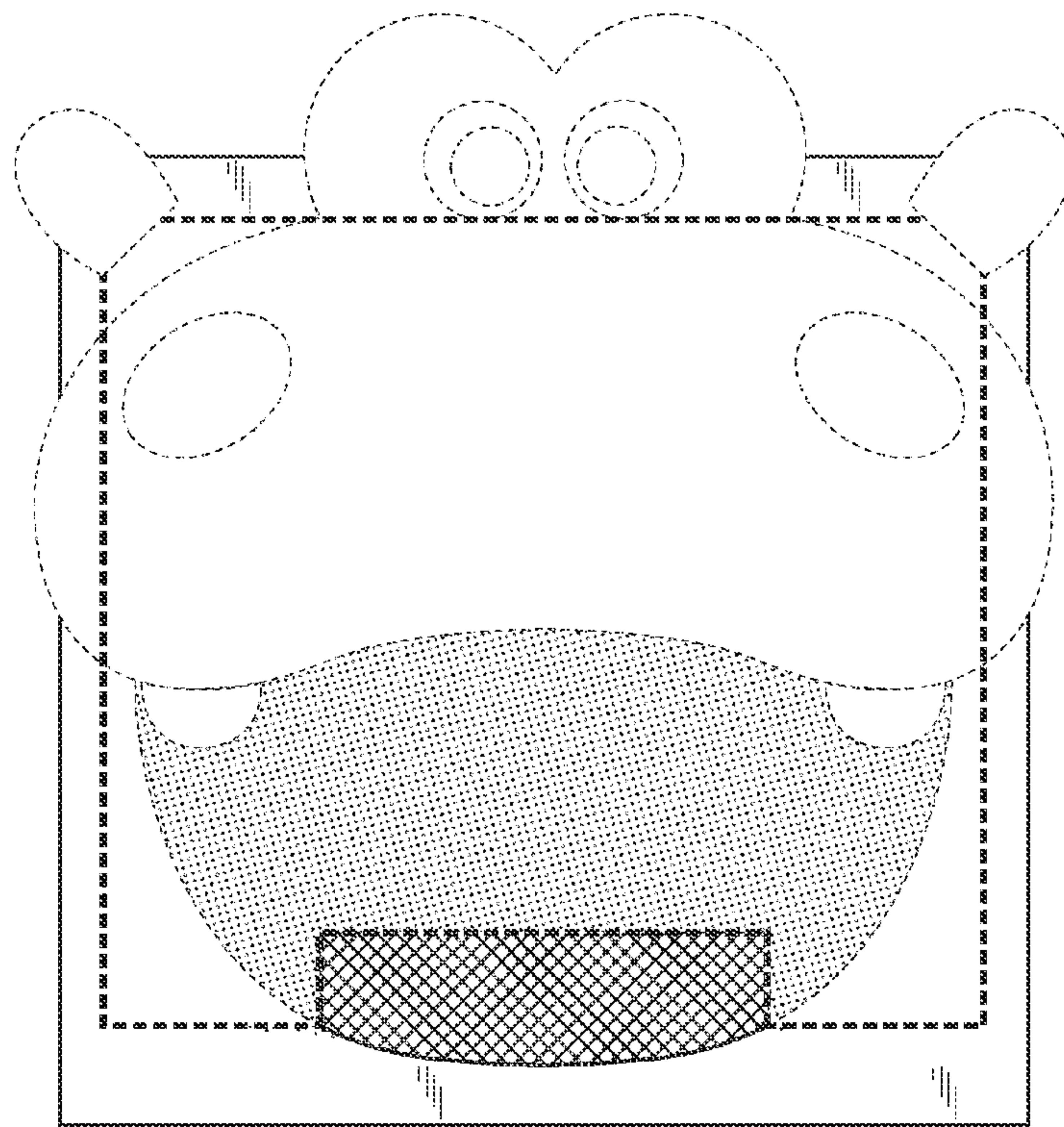


Fig. 20

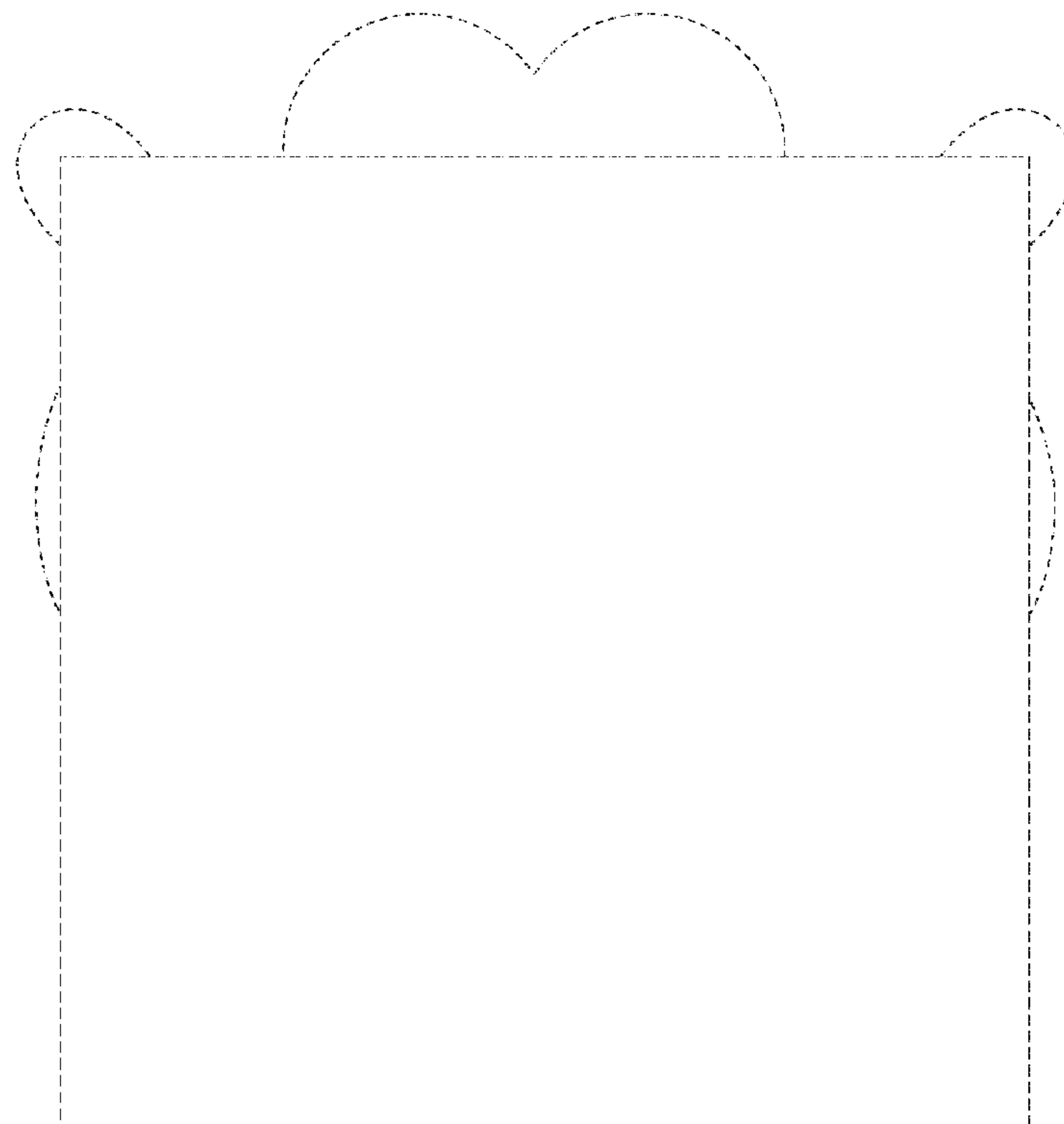
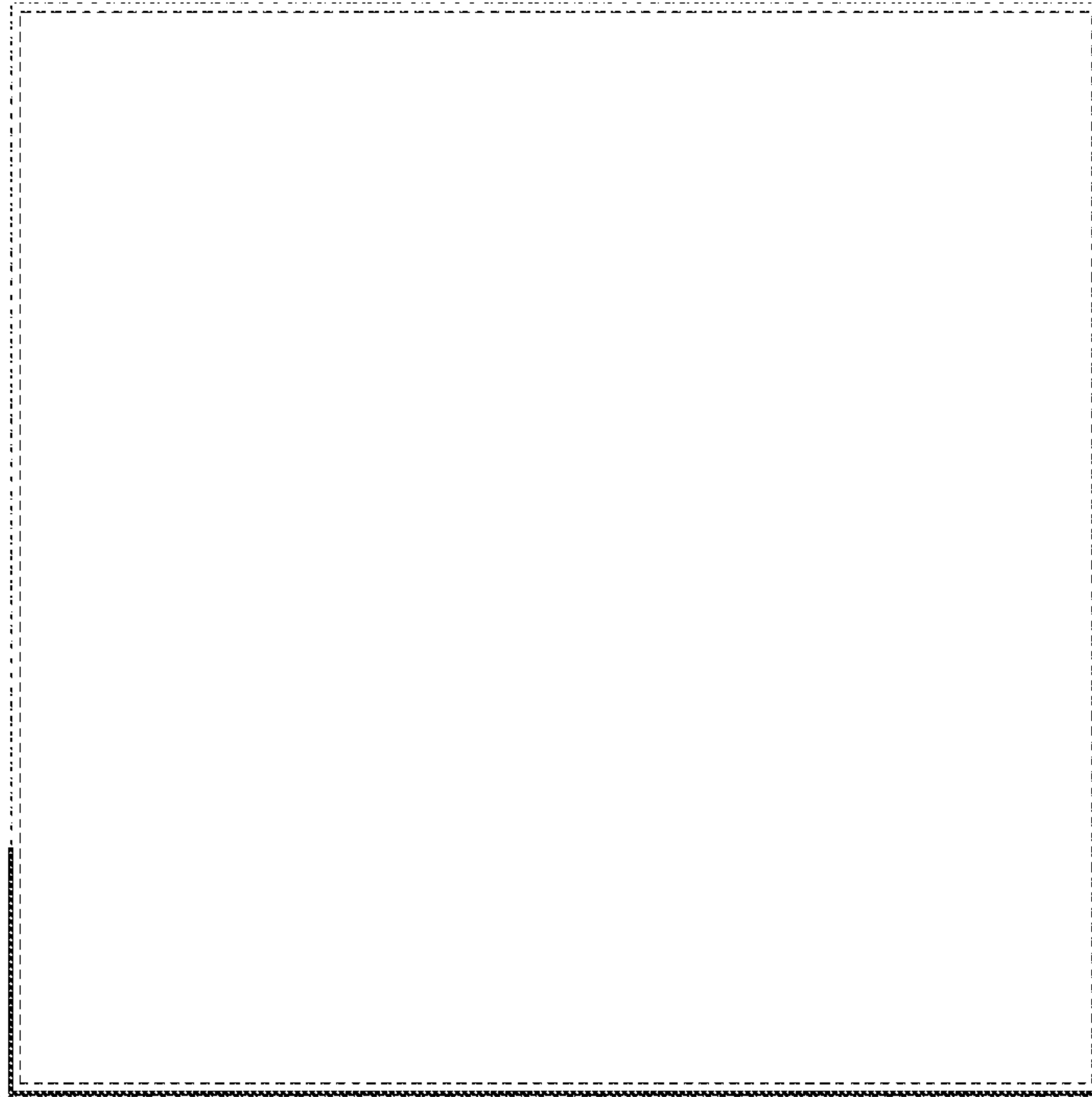
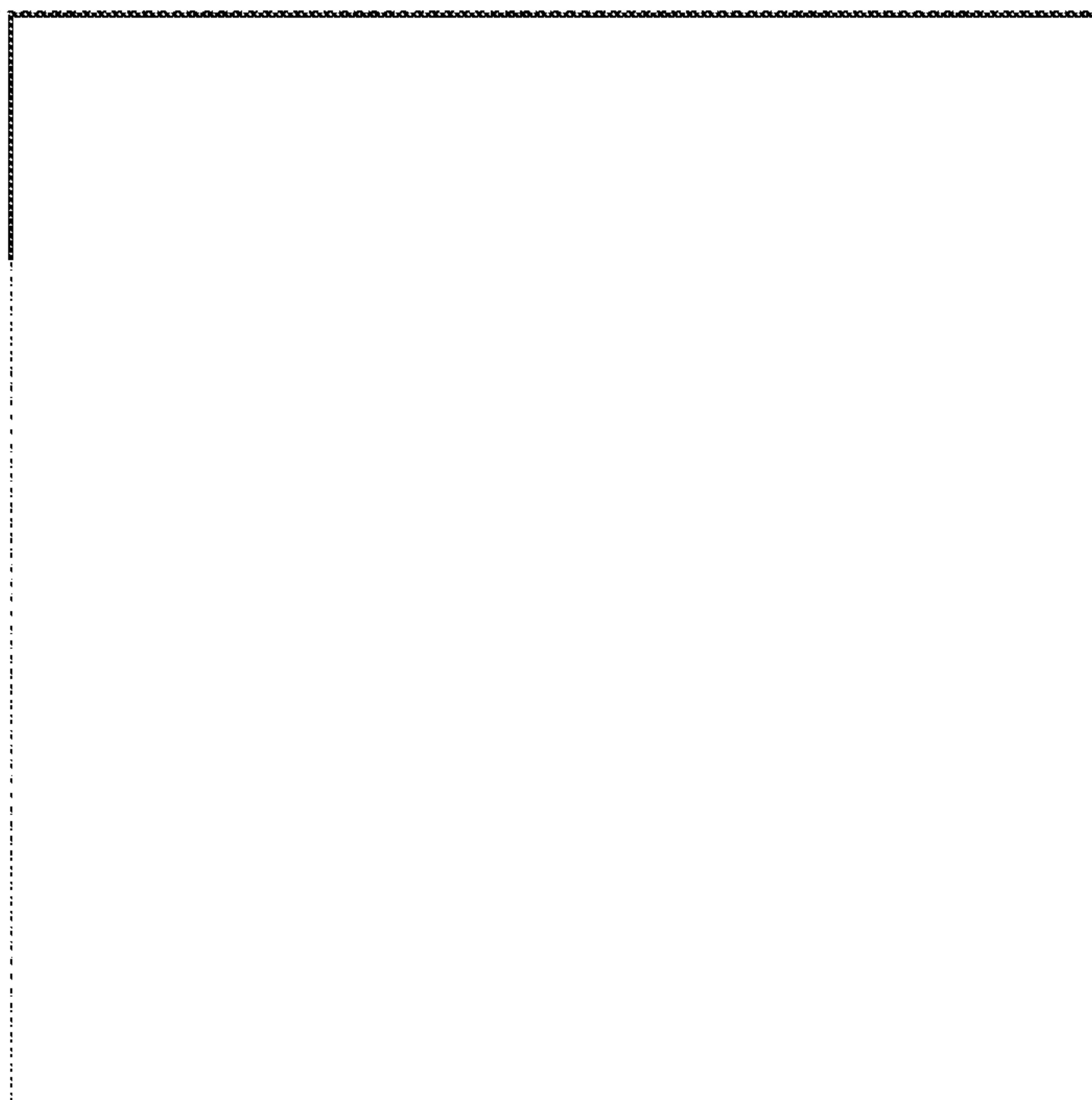


Fig. 21



**Fig. 22**



**Fig. 23**

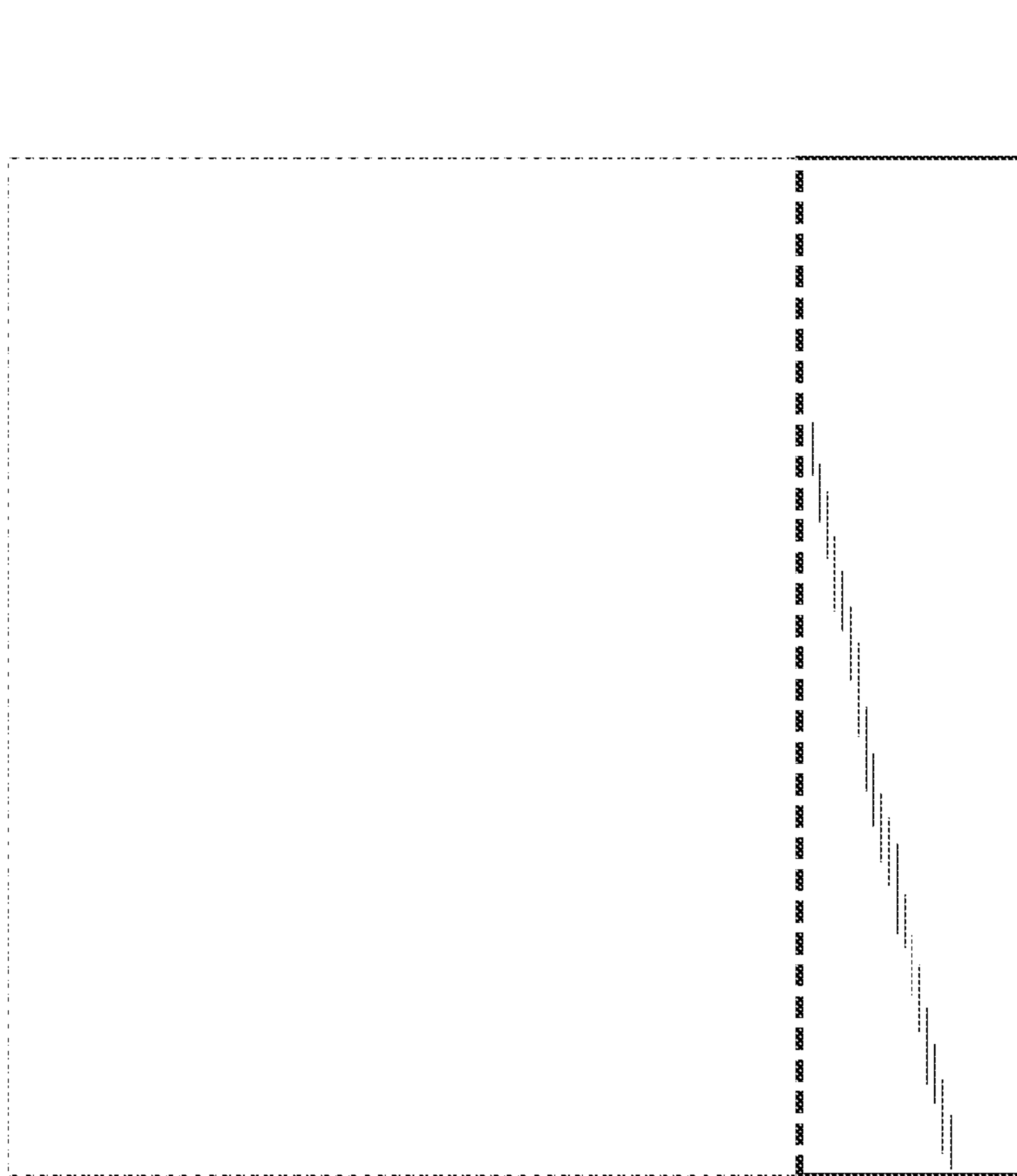


Fig. 24