



US00D648937S

(12) **United States Design Patent**
Ryan et al.

(10) **Patent No.:** **US D648,937 S**

(45) **Date of Patent:** **** Nov. 22, 2011**

(54) **RACQUET EQUIPMENT BAG**

(75) Inventors: **Christopher W. Ryan**, Bartlett, IL (US);
Saud Khazal, Milwaukee, WI (US)

(73) Assignee: **Wilson Sporting Goods Co.**, Chicago,
IL (US)

(**) Term: **14 Years**

(21) Appl. No.: **29/341,718**

(22) Filed: **Aug. 11, 2009**

(51) **LOC (9) Cl.** **03-01**

(52) **U.S. Cl.** **D3/256**

(58) **Field of Classification Search** D3/256,
D3/217, 221, 254, 289, 233, 287, 273, 245,
D3/204, 232, 255, 262; 206/315.1, 315.9;
190/103, 100, 126, 127, 115; 150/117, 163
See application file for complete search history.

(56) **References Cited**

U.S. PATENT DOCUMENTS

| | | | | | | |
|----------|---|---|---------|-------------|-------|--------|
| D279,046 | S | * | 6/1985 | Soininen | | D3/256 |
| D356,676 | S | * | 3/1995 | Sanderson | | D3/204 |
| D363,599 | S | * | 10/1995 | Gaffin | | D3/246 |
| D480,869 | S | * | 10/2003 | Mello | | D3/228 |
| D482,519 | S | * | 11/2003 | Izen et al. | | D3/204 |
| D482,520 | S | * | 11/2003 | Izen et al. | | D3/204 |
| D488,920 | S | * | 4/2004 | Izen et al. | | D3/204 |

| | | | | | | |
|----------|---|---|--------|----------------|-------|--------|
| D489,527 | S | * | 5/2004 | Izen et al. | | D3/204 |
| D520,735 | S | * | 5/2006 | Izen et al. | | D3/204 |
| D541,016 | S | * | 4/2007 | Rudnick et al. | | D2/946 |

* cited by examiner

Primary Examiner — Celia A. Murphy

Assistant Examiner — John Windmuller

(74) *Attorney, Agent, or Firm* — Terence P. O'Brien

(57) **CLAIM**

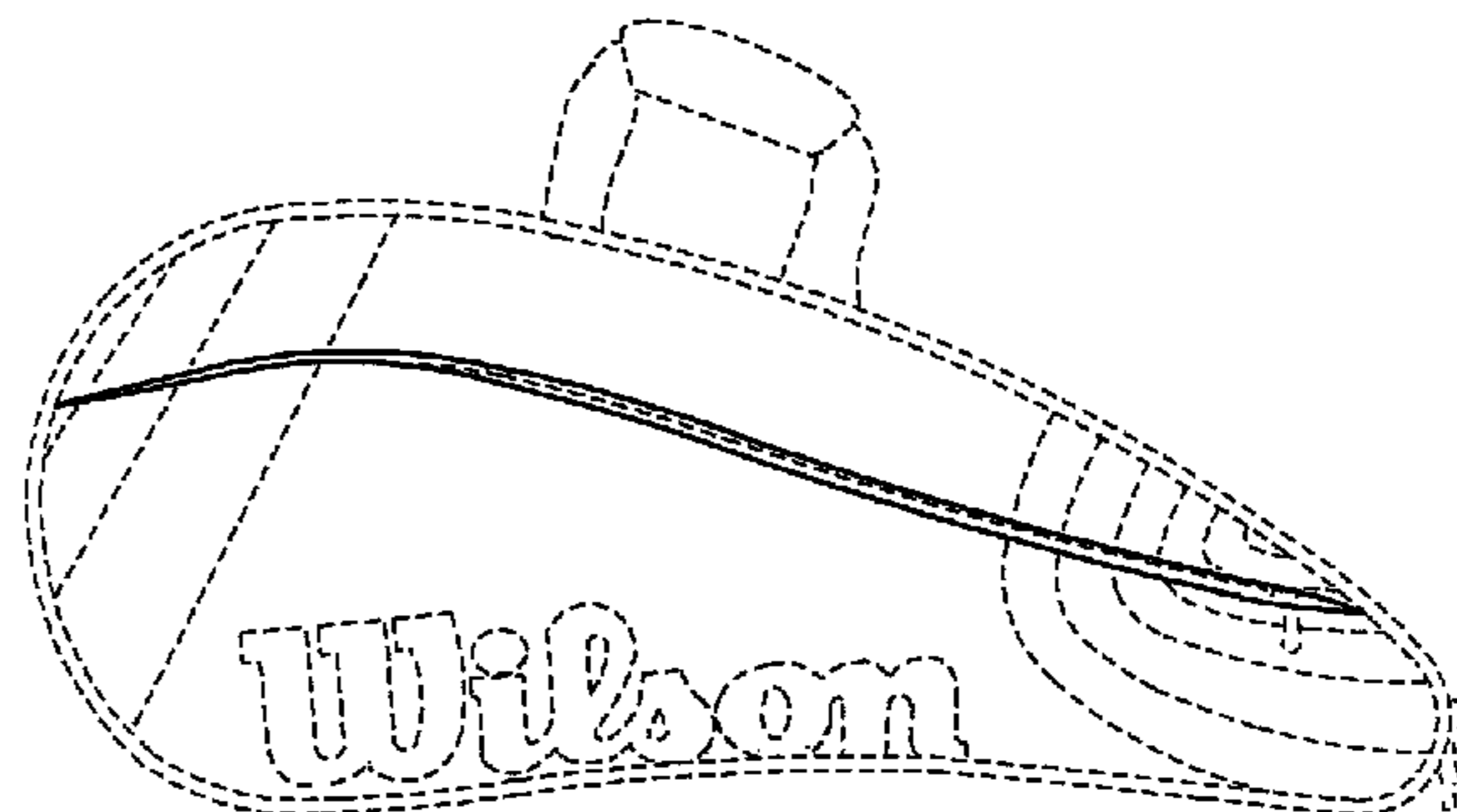
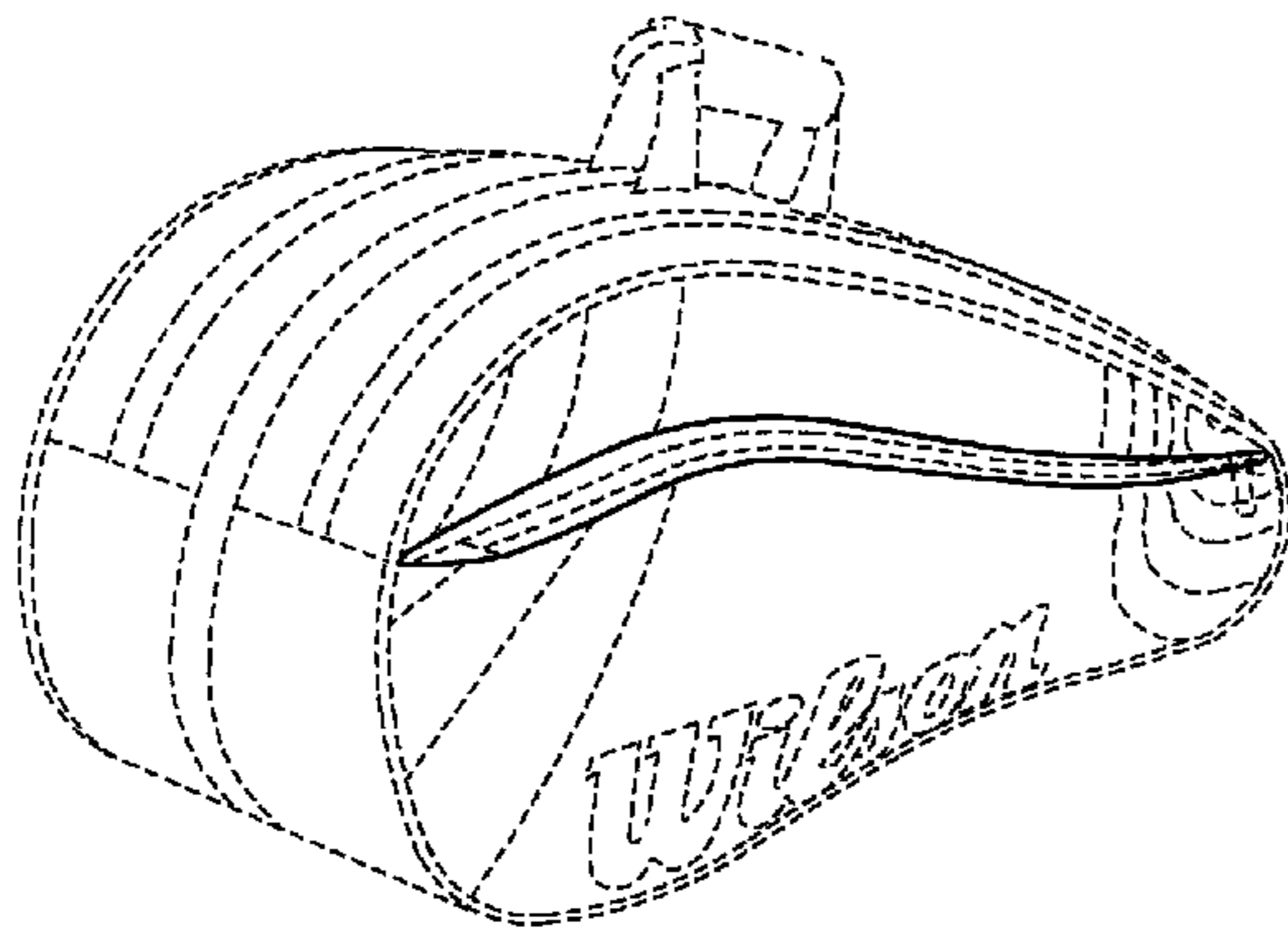
We claim the ornamental design for a racquet equipment bag,
as shown and described.

DESCRIPTION

FIG. 1 is a side perspective view of racquet equipment bag;
FIG. 2 is a side view of the racquet equipment bag;
FIG. 3 is a first end view of the racquet equipment bag;
FIG. 4 is a second end view of the racquet equipment bag;
and,
FIG. 5 is a top view of the racquet equipment bag.

The ornamental design that is claimed is shown in solid lines
in the drawings. The broken (dashed) lines shown in FIGS. 1
through 5 are included for the purpose of illustrating environ-
mental elements only and form no part of the claimed design.
The broken lines shown within the single claimed area also
are included for the purpose of illustrating environmental
elements only and form no part of the claimed design.

1 Claim, 3 Drawing Sheets



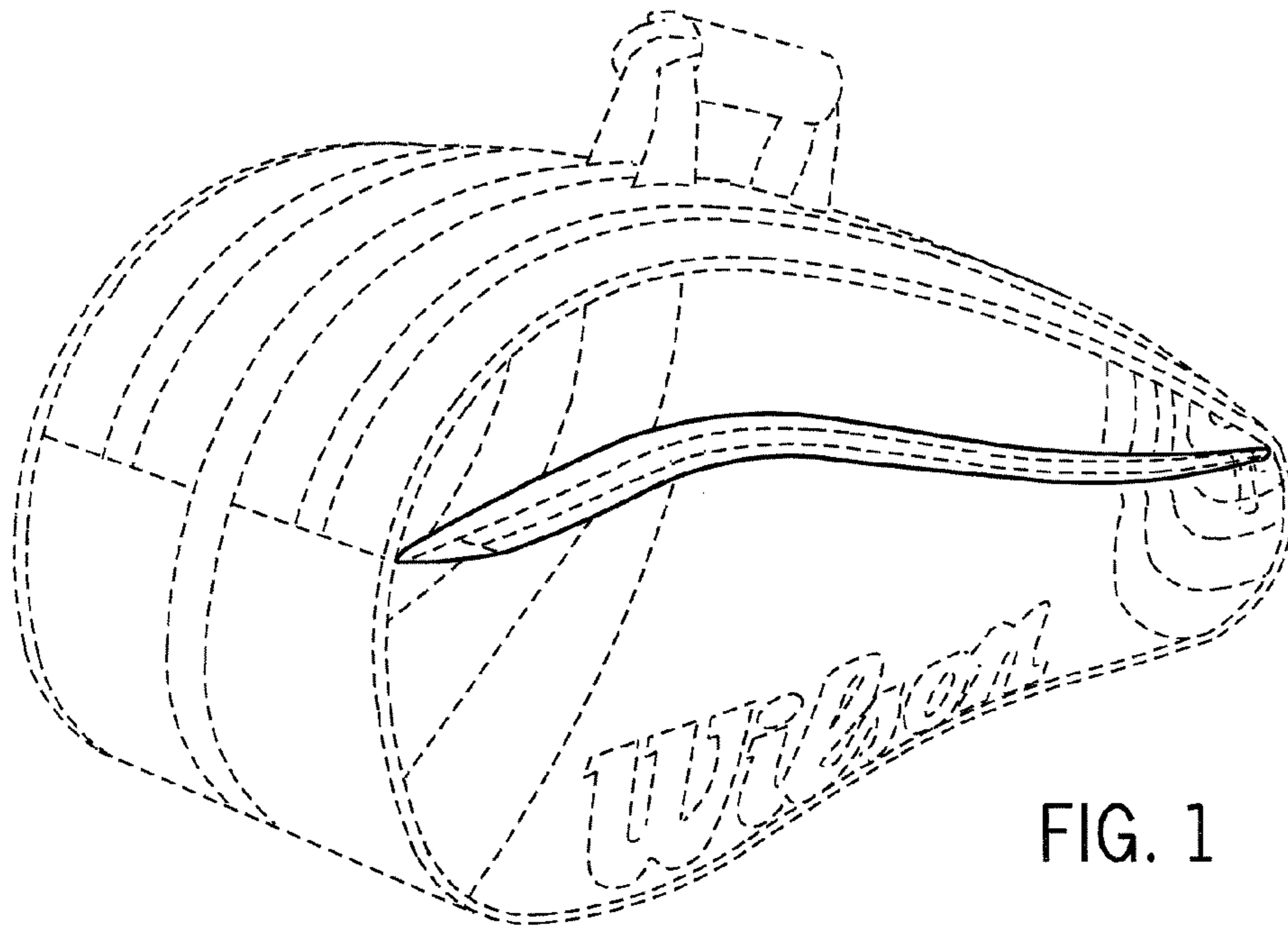


FIG. 1

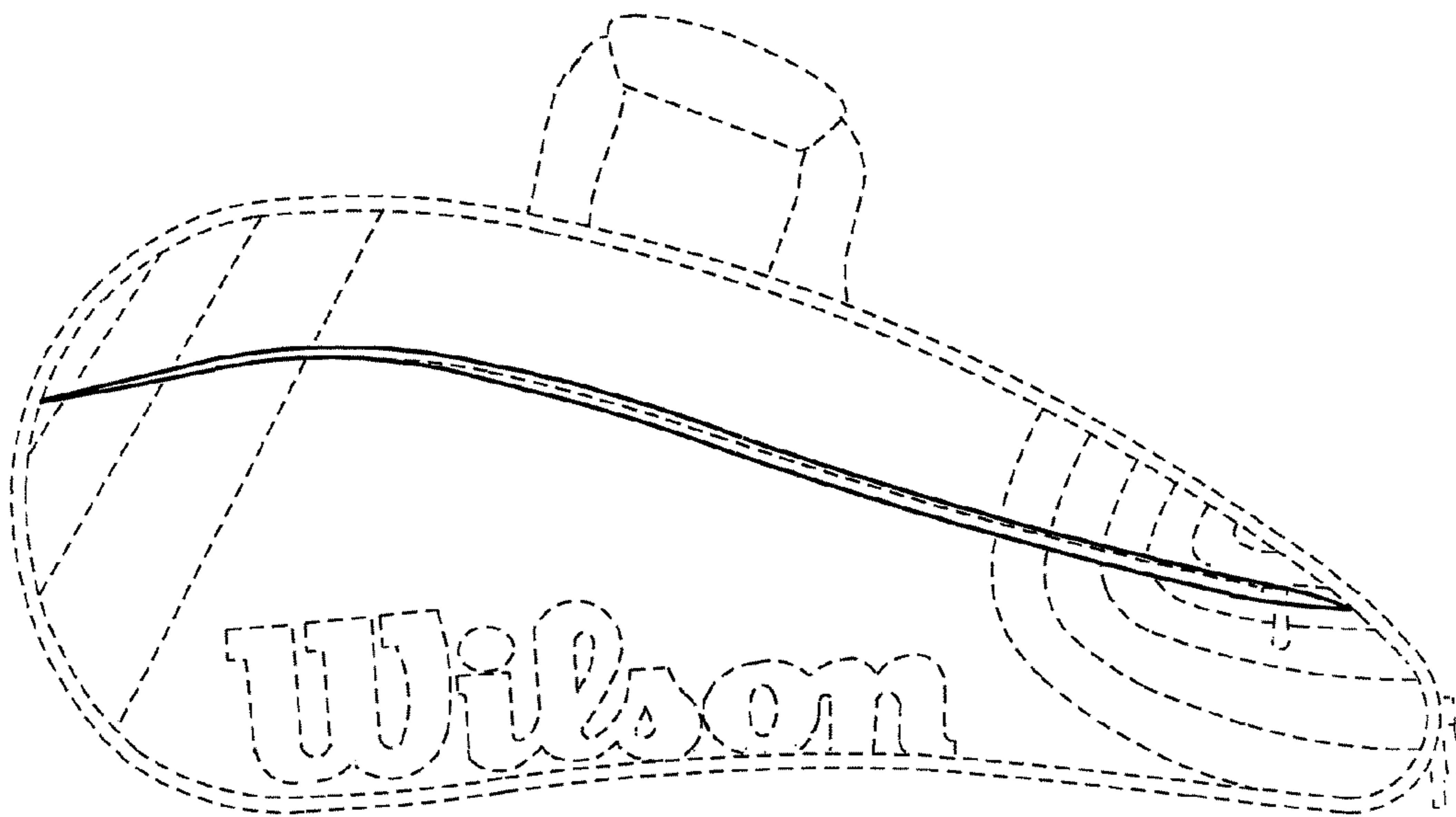


FIG. 2

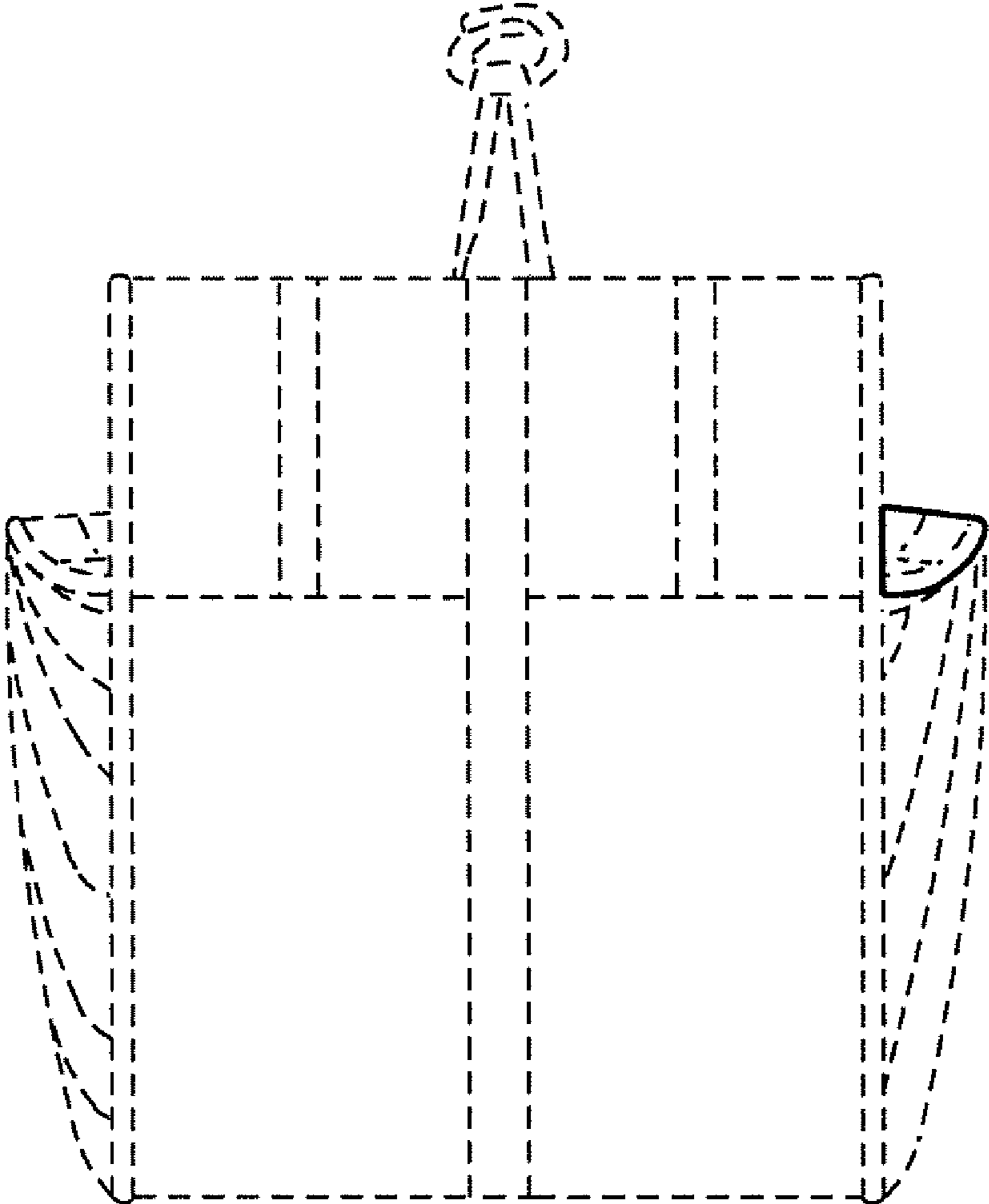


FIG. 3

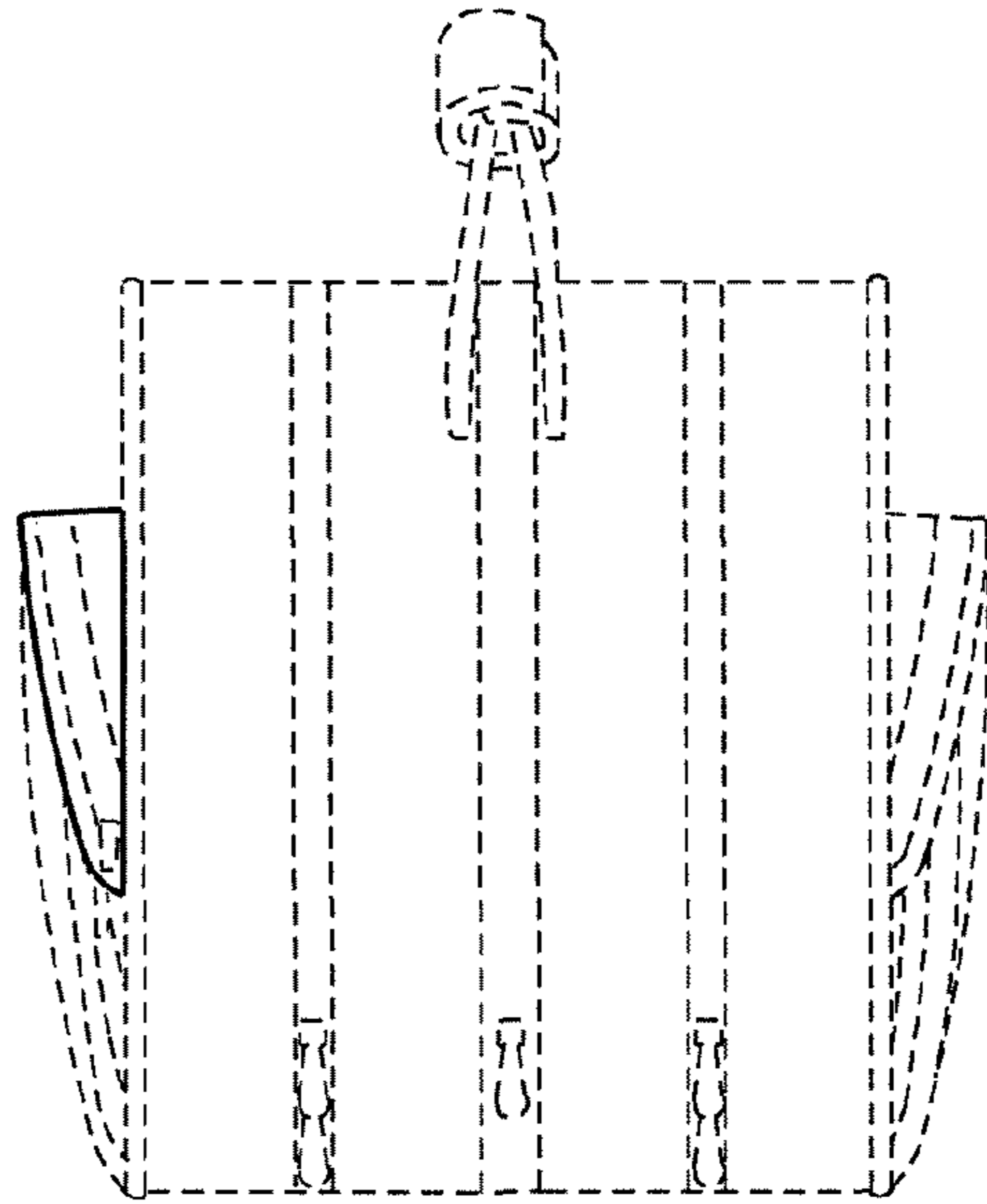


FIG. 4

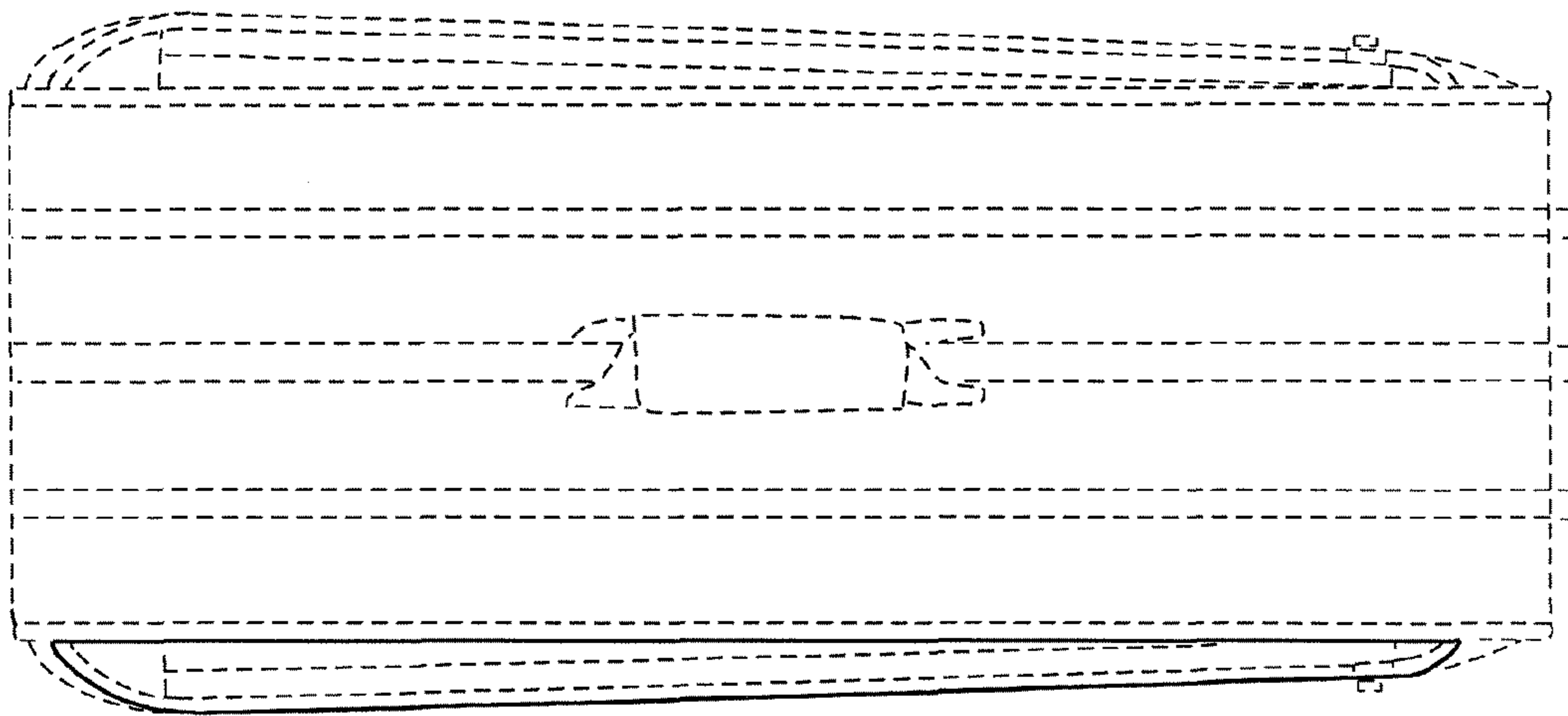


FIG. 5