



US00D648932S

(12) **United States Design Patent**
Merrell

(10) **Patent No.:** **US D648,932 S**

(45) **Date of Patent:** **** Nov. 22, 2011**

(54) **PORTABLE SHADE**

(76) Inventor: **Laurence Merrell**, Middletown, MD
(US)

(**) Term: **14 Years**

(21) Appl. No.: **29/385,474**

(22) Filed: **Feb. 15, 2011**

(51) **LOC (9) Cl.** **03-03**

(52) **U.S. Cl.** **D3/5; D3/12; D3/16**

(58) **Field of Classification Search** **D3/5, 10,**
D3/12, 13, 16; 135/15.1, 16, 20.1

See application file for complete search history.

(56) **References Cited**

U.S. PATENT DOCUMENTS

D10,616 S *	4/1878	Kaldenberg	D3/16
D19,942 S *	6/1890	Schmidt	D3/12
D48,633 S *	2/1916	Glowacki	D3/13
3,899,168 A *	8/1975	Besherse	472/75
4,872,468 A *	10/1989	Cole	135/16
5,058,757 A	10/1991	Proa		
5,086,712 A	2/1992	Clark		
5,115,939 A	5/1992	Porter		
5,186,196 A	2/1993	Gorka et al.		
D341,831 S *	11/1993	Mozdzanowski	D14/168

D361,018 S	8/1995	Drape et al.		
D394,589 S	5/1998	King		
5,947,138 A	9/1999	DeAngelis		
6,223,758 B1 *	5/2001	Feldman	135/33.2
6,637,447 B2	10/2003	McMullin et al.		
7,007,703 B2 *	3/2006	Brooks, III	135/16
D625,098 S *	10/2010	Tharp	D3/5

* cited by examiner

Primary Examiner — Celia A. Murphy
Assistant Examiner — John Windmuller

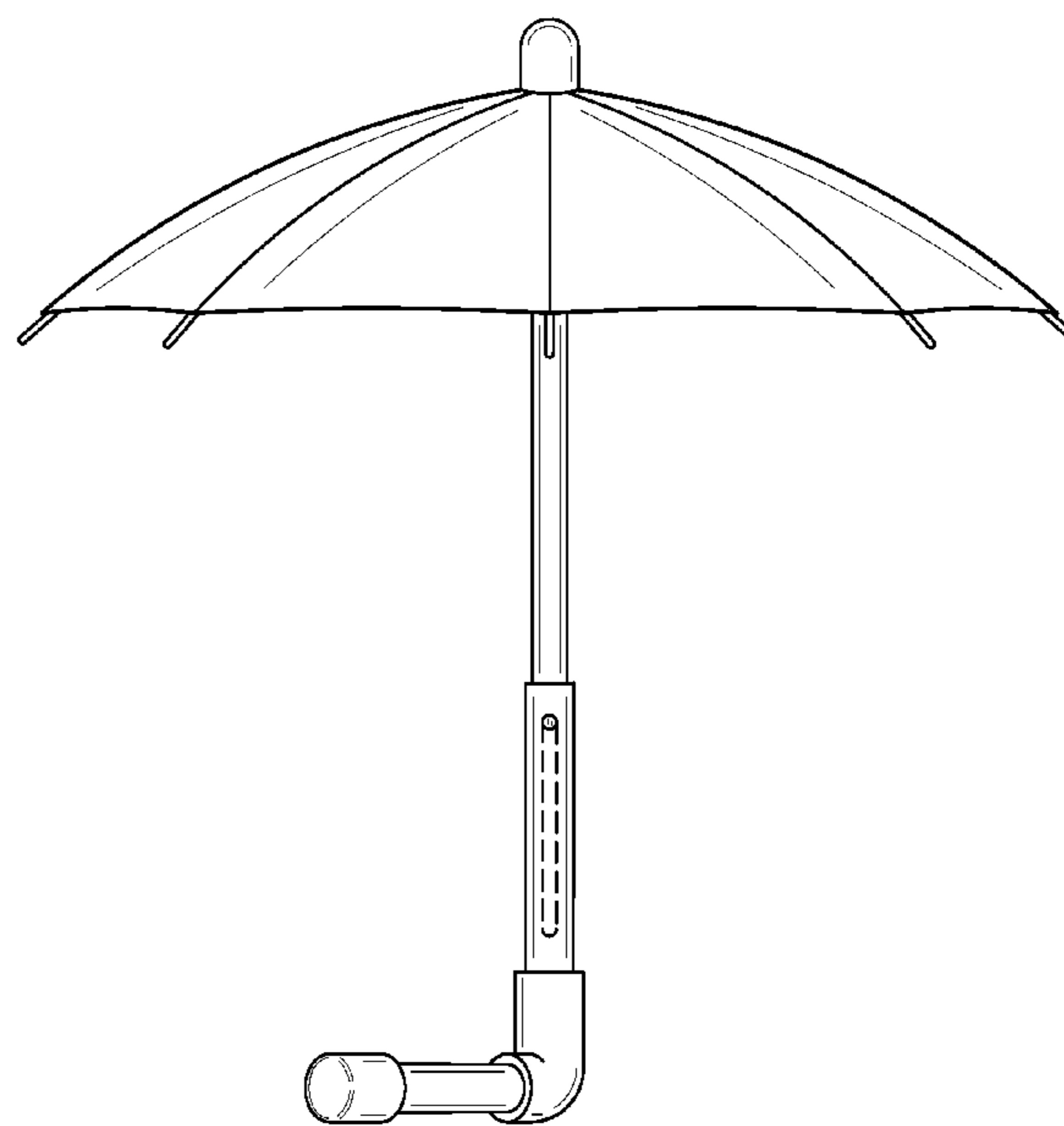
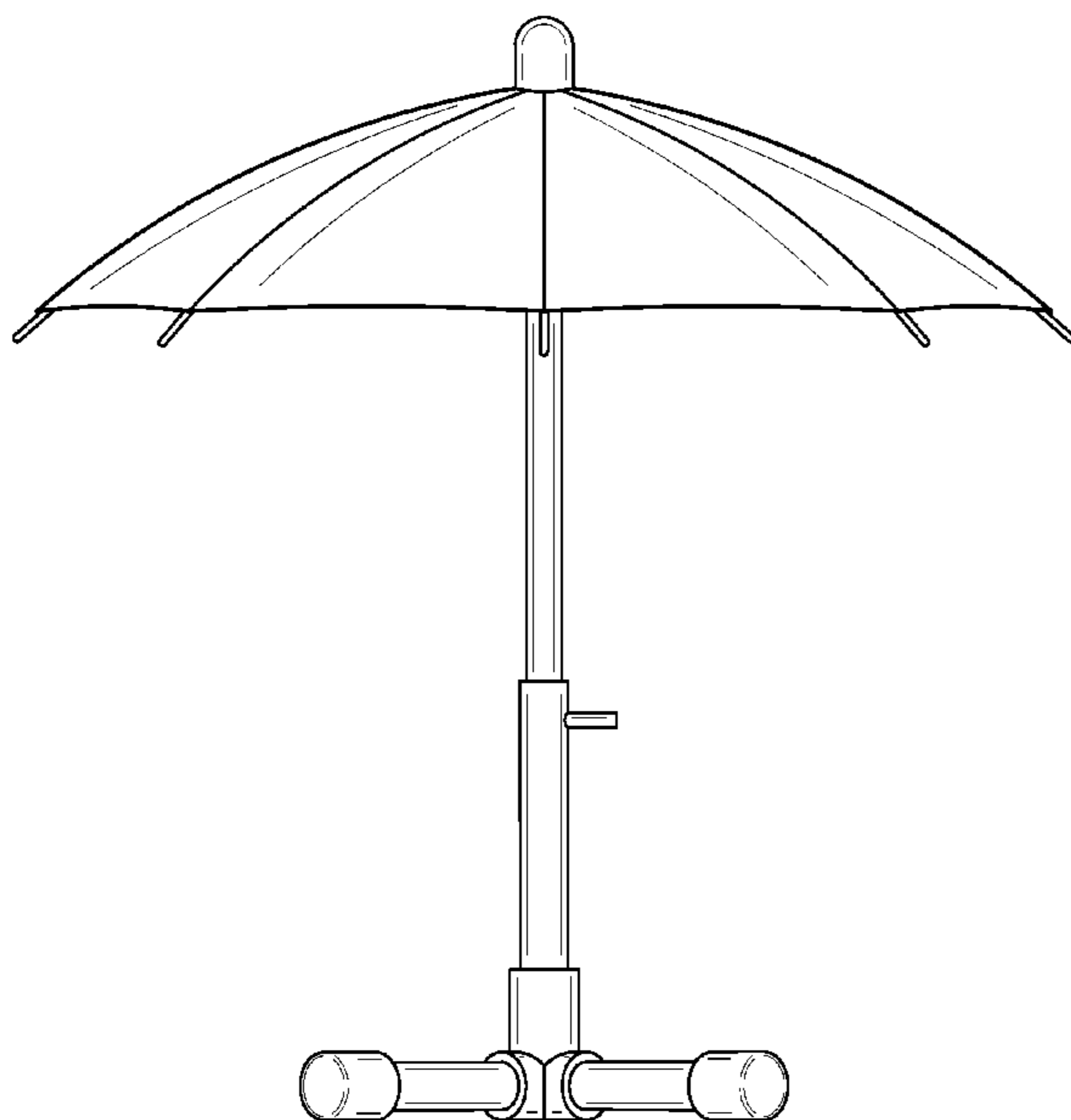
(57) **CLAIM**

I claim the ornamental design for the portable shade, as shown and described.

DESCRIPTION

FIG. 1 is a front view of the portable shade.
FIG. 2 is a rear view of the claimed design.
FIG. 3 is a left side view of the claimed design.
FIG. 4 is a right side view of the claimed design.
FIG. 5 is a top view of the claimed design; and,
FIG. 6 is a bottom view of the claimed design.
The broken-line showing of a slot in FIG. 4 and ribs in FIG. 6 indicate portions of the portable shade which form no part of the claimed design.

1 Claim, 6 Drawing Sheets



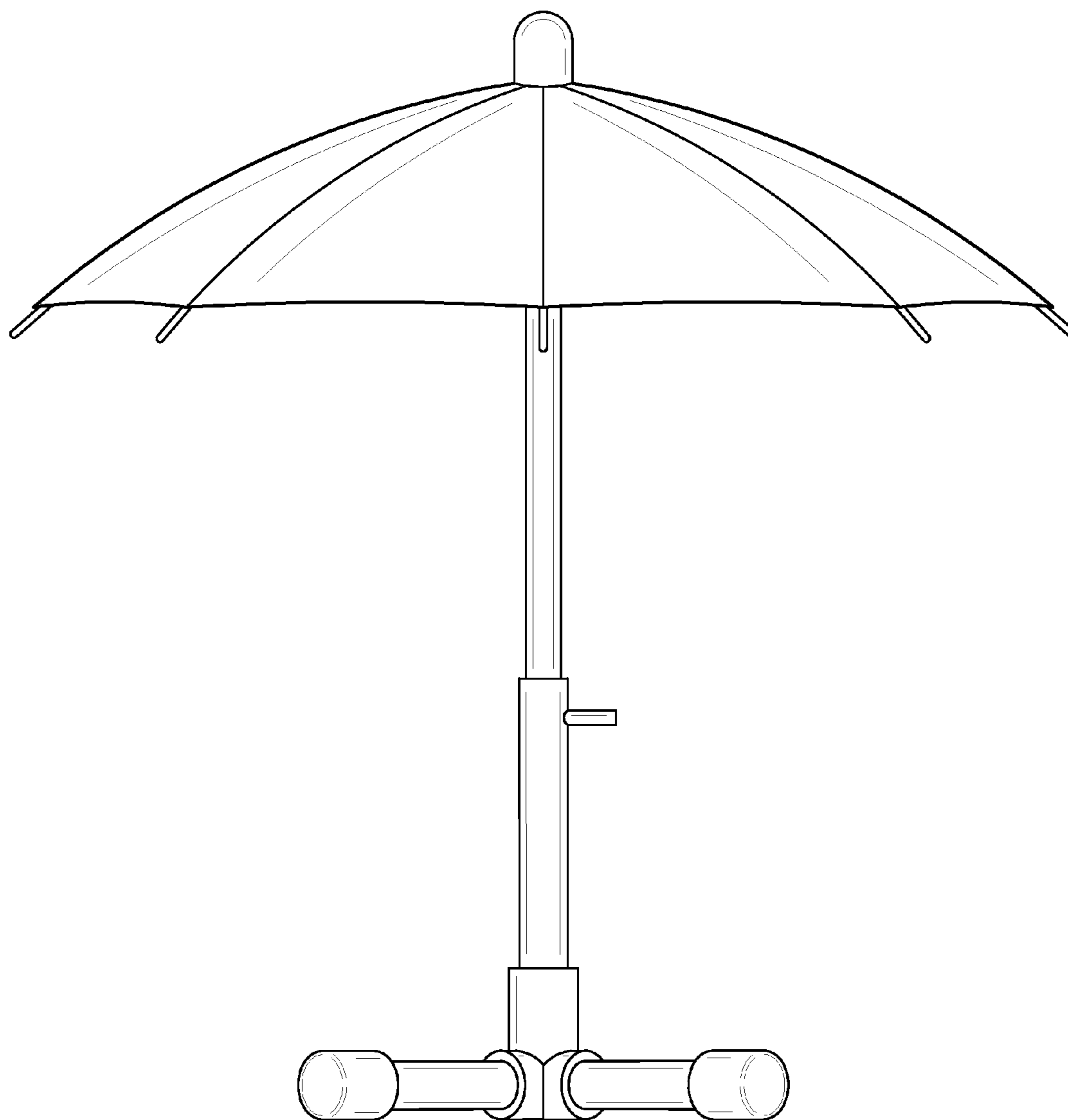


FIG. 1

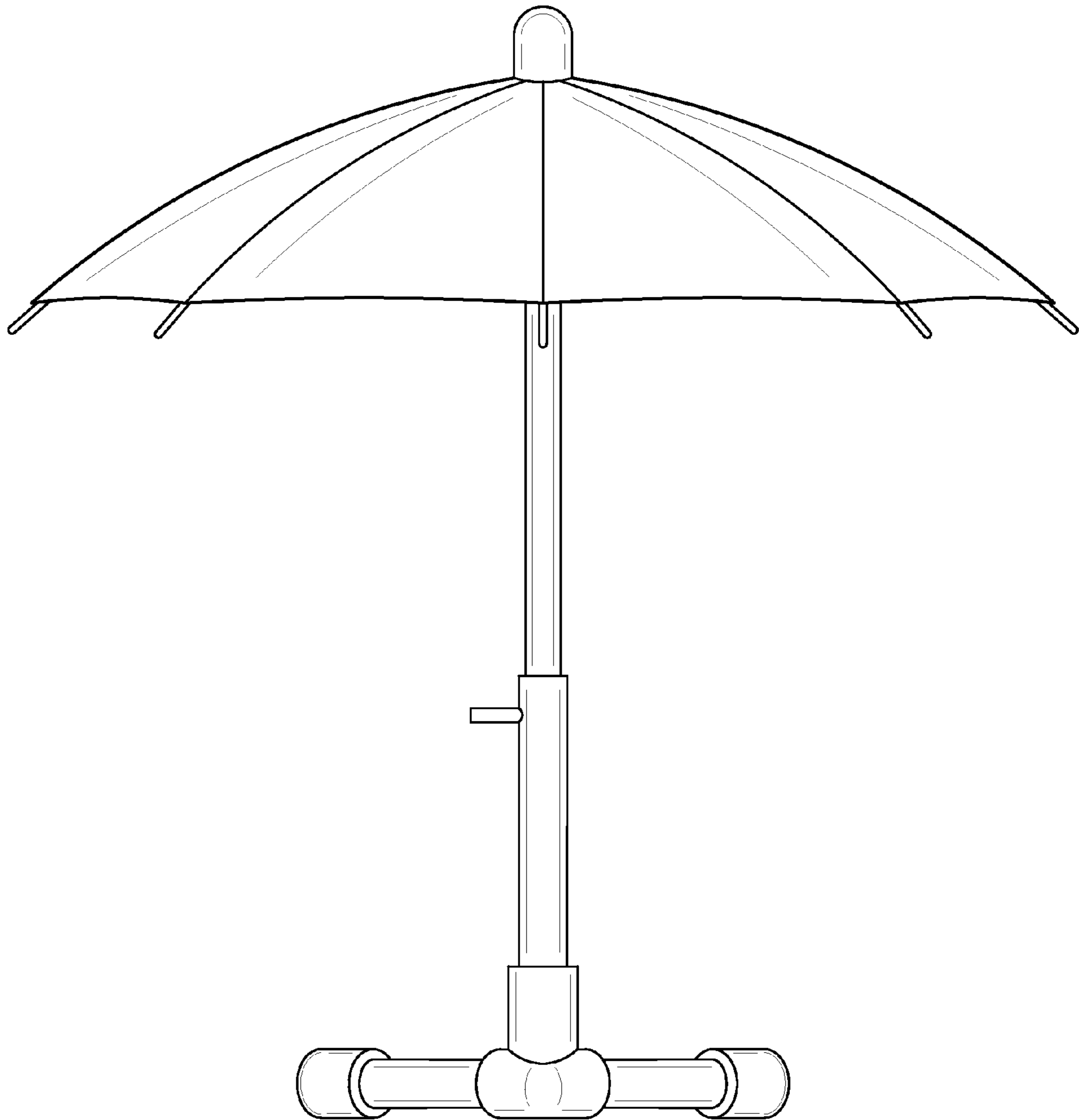


FIG. 2

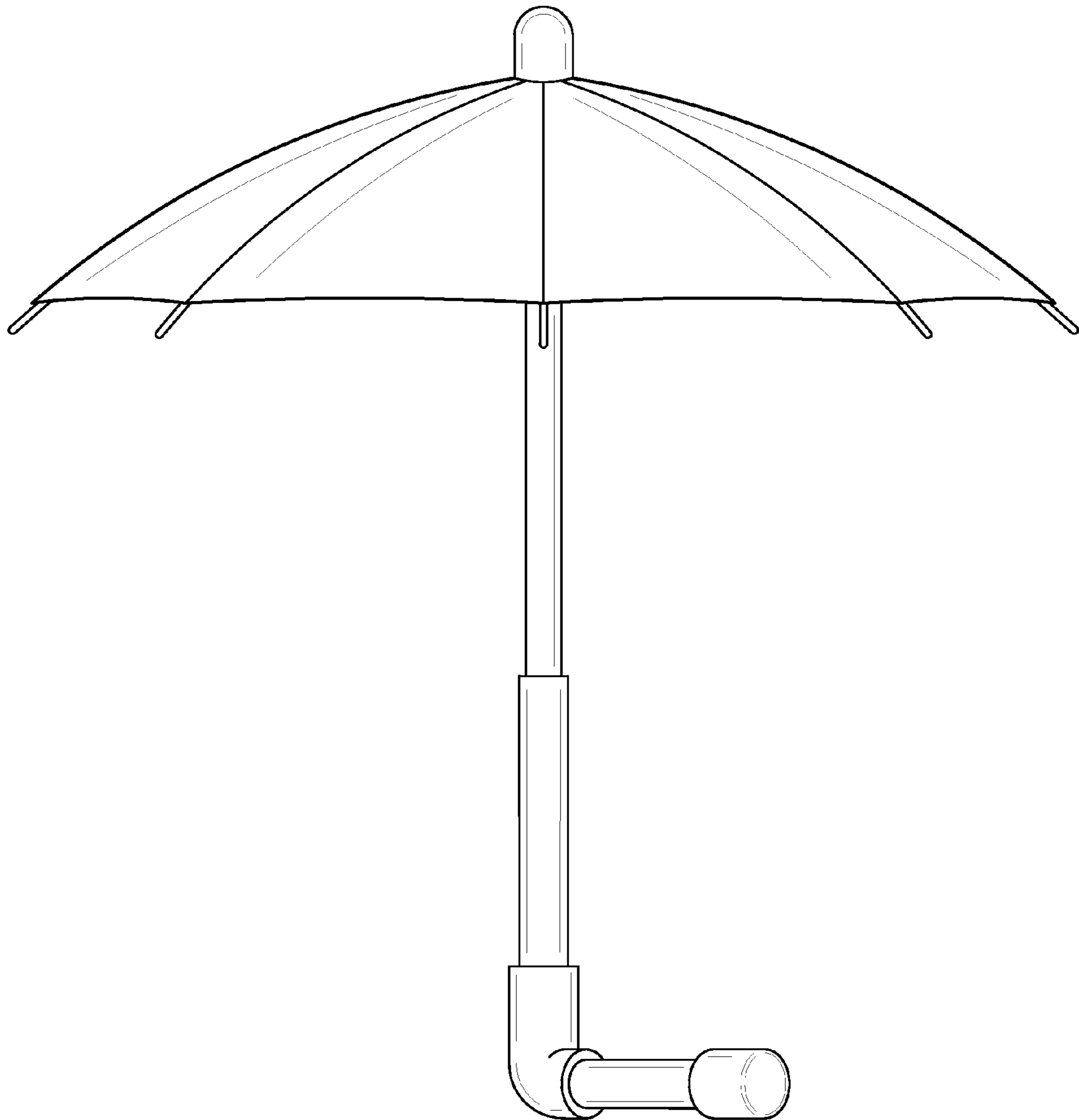


FIG. 3

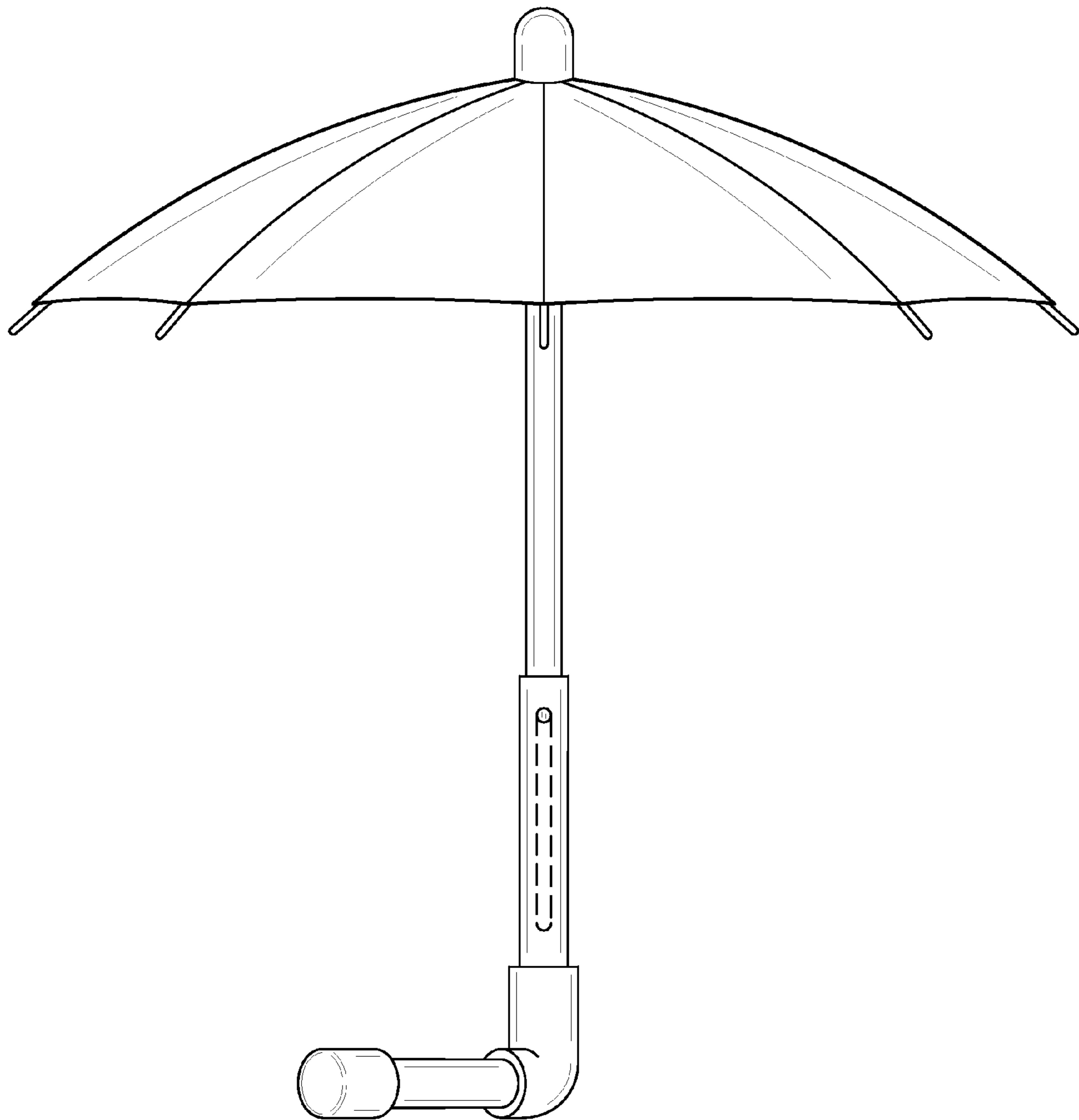


FIG. 4

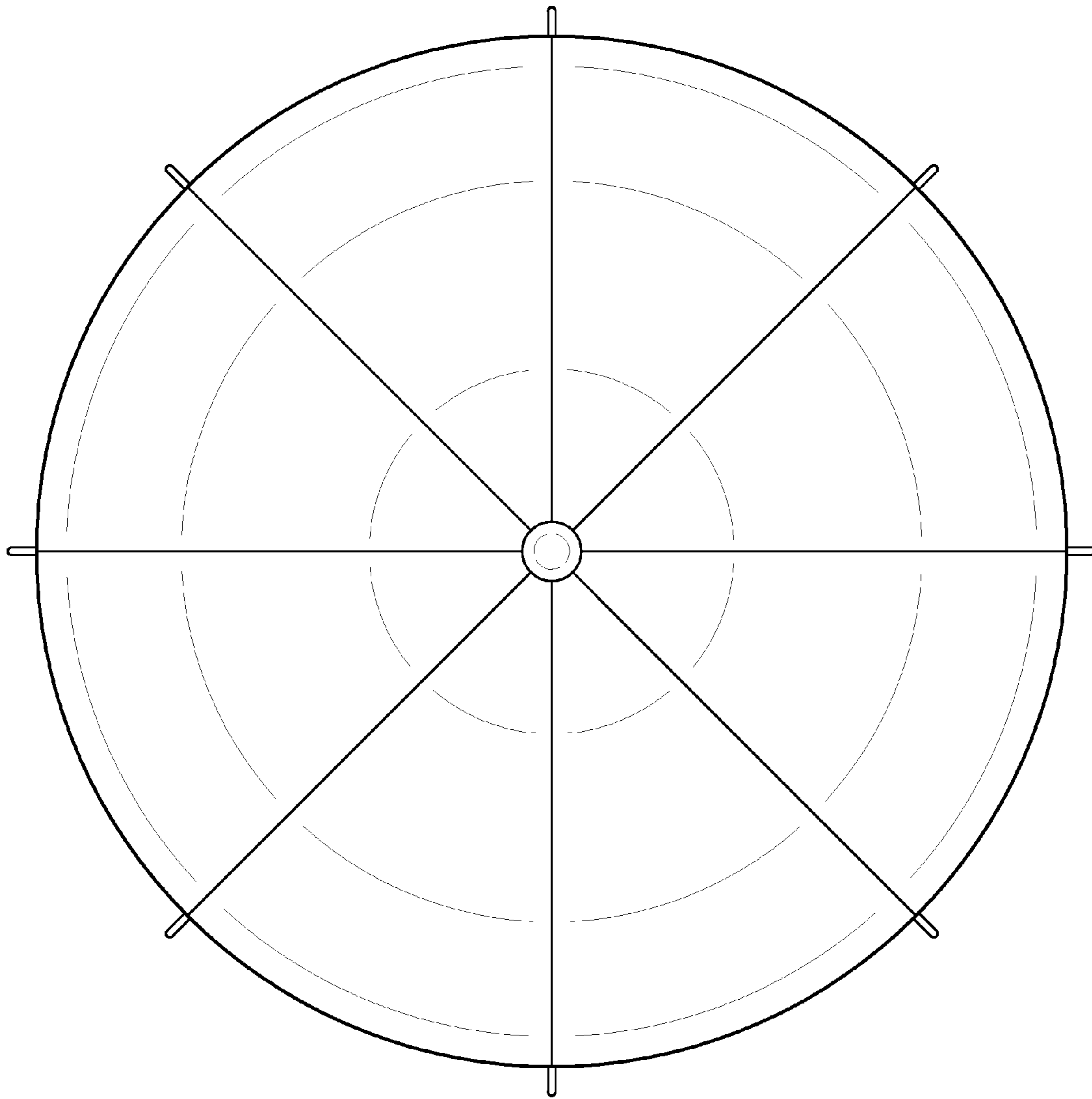


FIG. 5

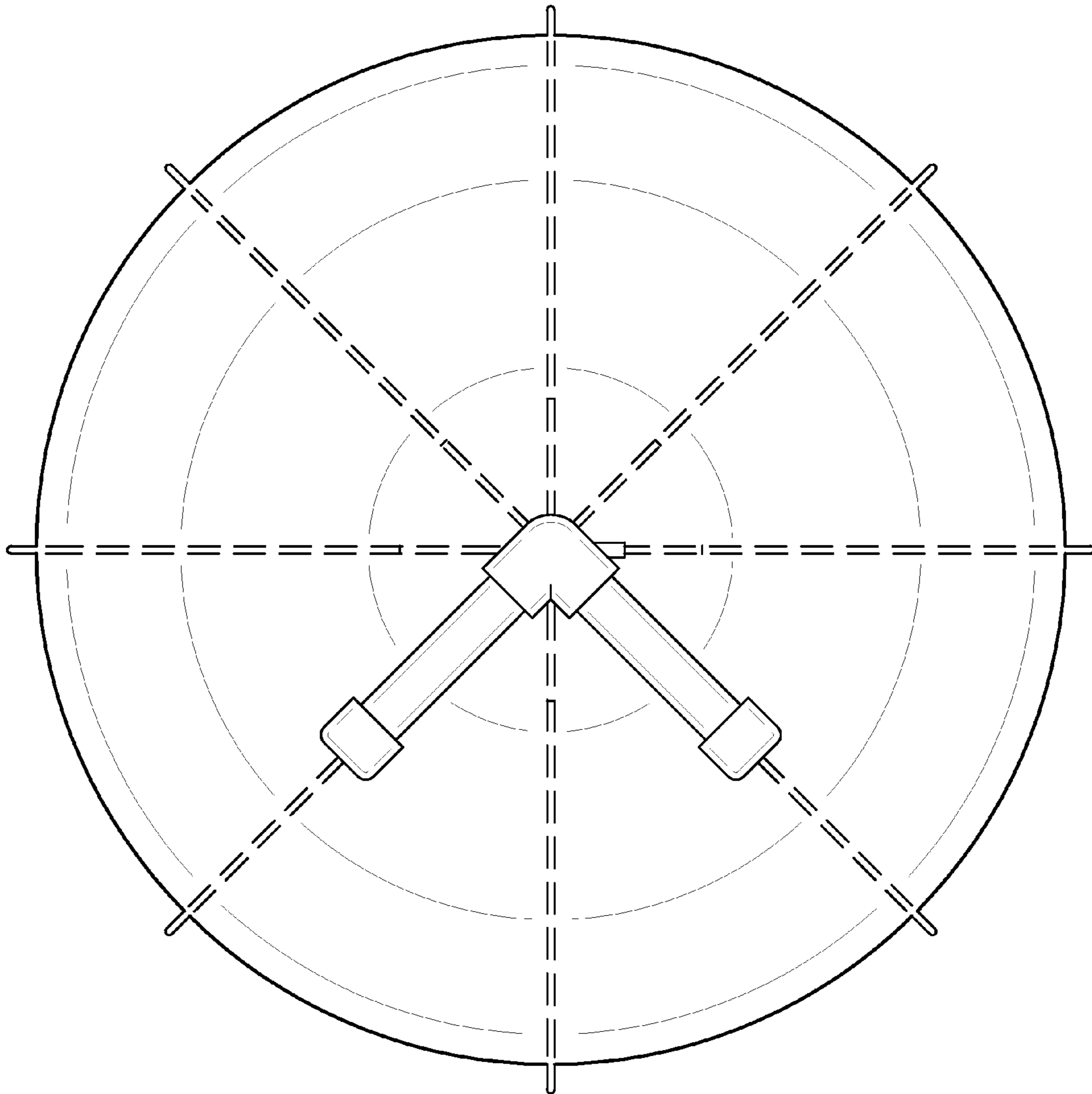


FIG. 6