



US00D648927S

(12) **United States Design Patent**  
**Wolff**

(10) **Patent No.:** **US D648,927 S**

(45) **Date of Patent:** **\*\* Nov. 22, 2011**

(54) **WOMEN'S LOW CUT BOOT**

(75) Inventor: **Gary Wolff**, Fenton, MO (US)

(73) Assignee: **Wolff Shoe Company**, Fenton, MO (US)

(\*\*) Term: **14 Years**

(21) Appl. No.: **29/373,022**

(22) Filed: **Feb. 18, 2011**

(51) **LOC (9) Cl.** ..... **02-04**

(52) **U.S. Cl.** ..... **D2/910; D2/925**

(58) **Field of Classification Search** ..... D02/896,  
D02/909-912, 925, 929, 946, 970-978; 36/45,  
36/50.1, 83, 113, 114, 127, 134, 136, 1.7 R,  
36/47.3

See application file for complete search history.

(56) **References Cited**

**U.S. PATENT DOCUMENTS**

D76,168 S *	8/1928	Bingham, Jr.	.....	D2/910
D100,416 S *	7/1936	Burt	.....	D2/929
D103,588 S *	3/1937	Goeller	.....	D2/910
D108,491 S *	2/1938	Dorsey	.....	D30/146

D152,255 S *	1/1949	Perugia	.....	D2/910
D154,461 S *	7/1949	Valentine et al.	.....	D2/910
D155,573 S *	10/1949	Ford et al.	.....	D2/910
D210,511 S *	3/1968	Dorsey	.....	D2/910

\* cited by examiner

*Primary Examiner* — Rob Spear

*Assistant Examiner* — Rashida C McCoy

(74) *Attorney, Agent, or Firm* — Paul M. Denk

(57) **CLAIM**

The ornamental design for the women's low cut boot, as shown and described.

**DESCRIPTION**

FIG. 1 is an isometric view of the women's low cut boot of this invention;

FIG. 2 is a top plan view;

FIG. 3 is a bottom view;

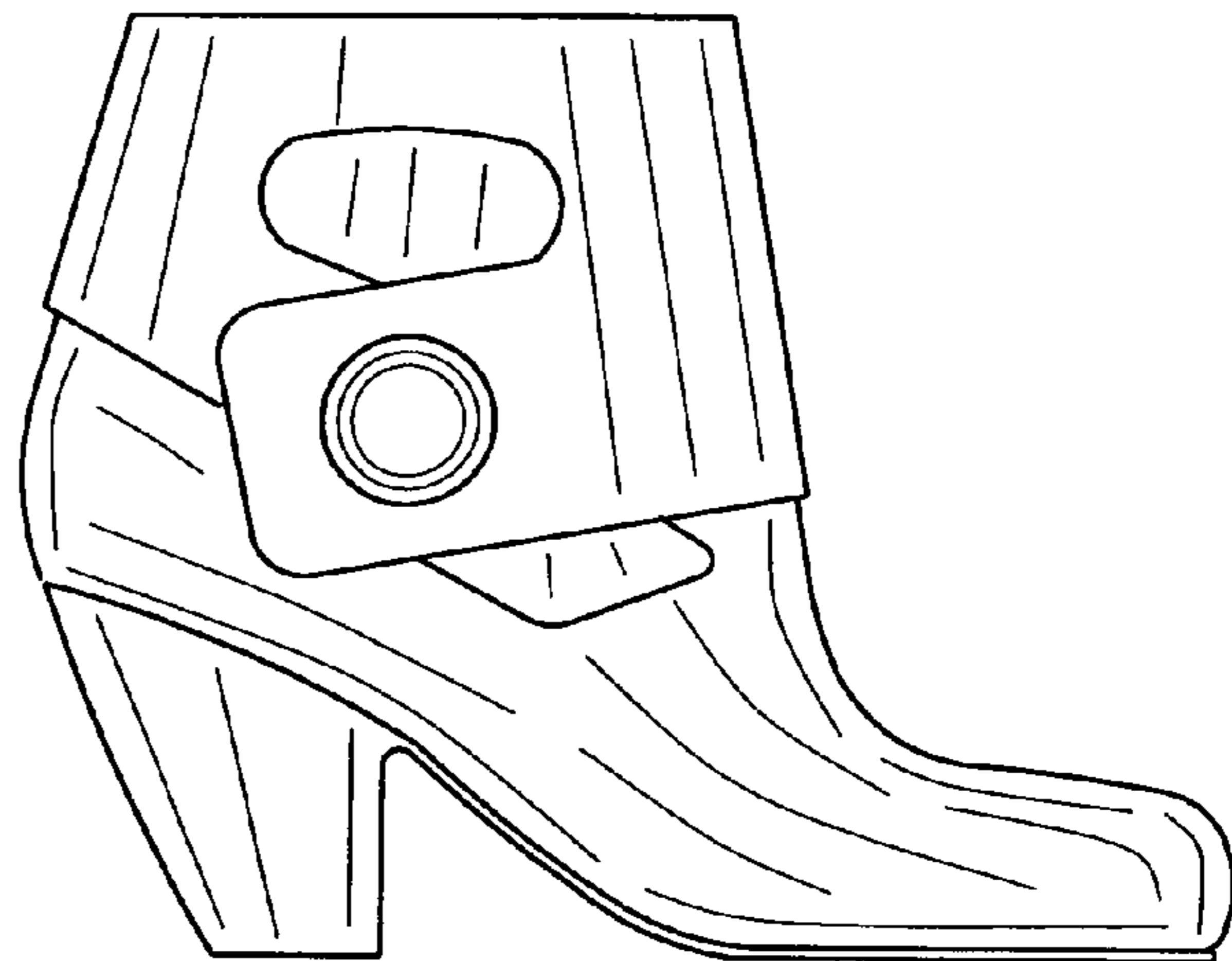
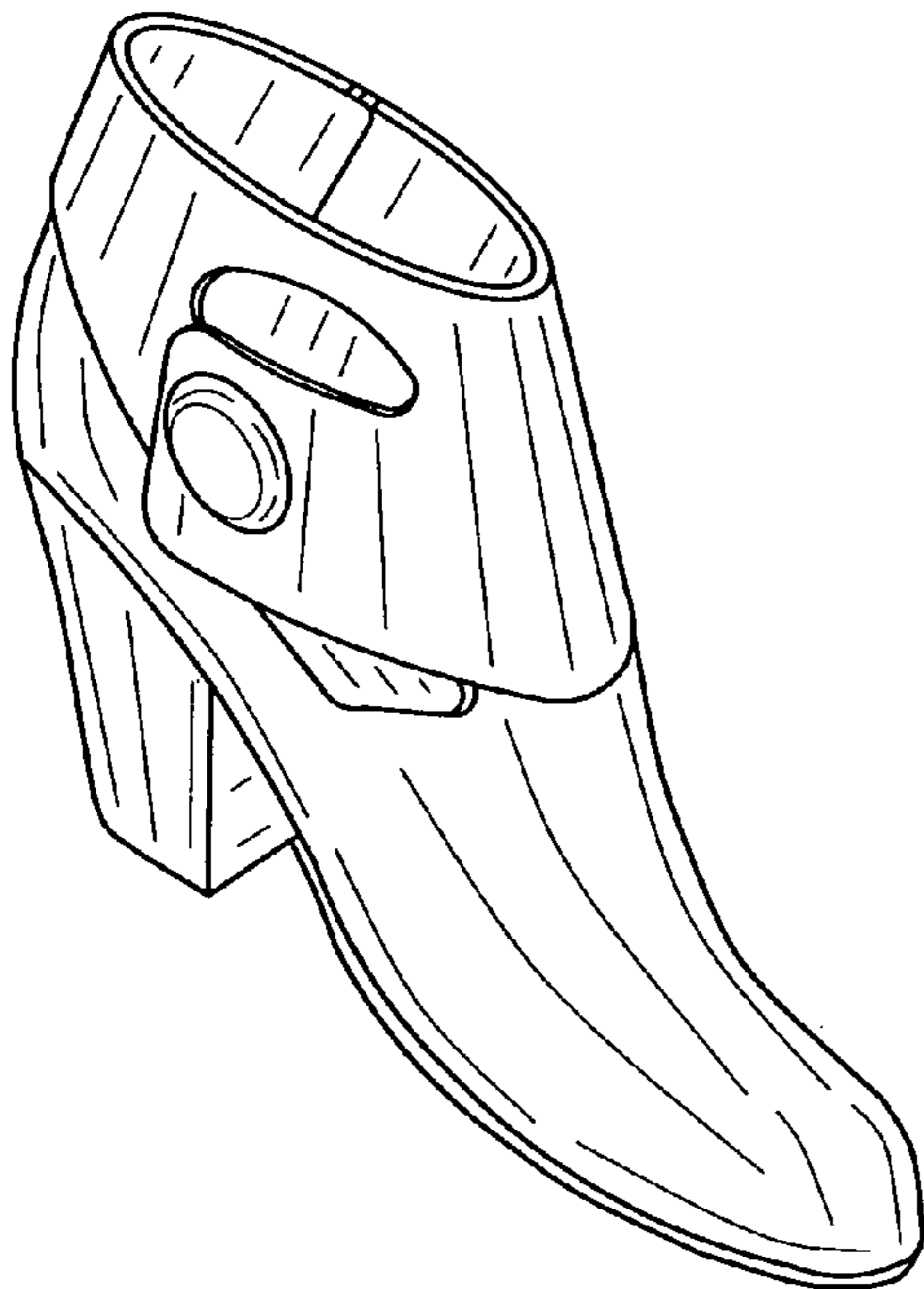
FIG. 4 is a right side view;

FIG. 5 is a left side view;

FIG. 6 is a front view; and,

FIG. 7 is a rear view thereof.

**1 Claim, 2 Drawing Sheets**



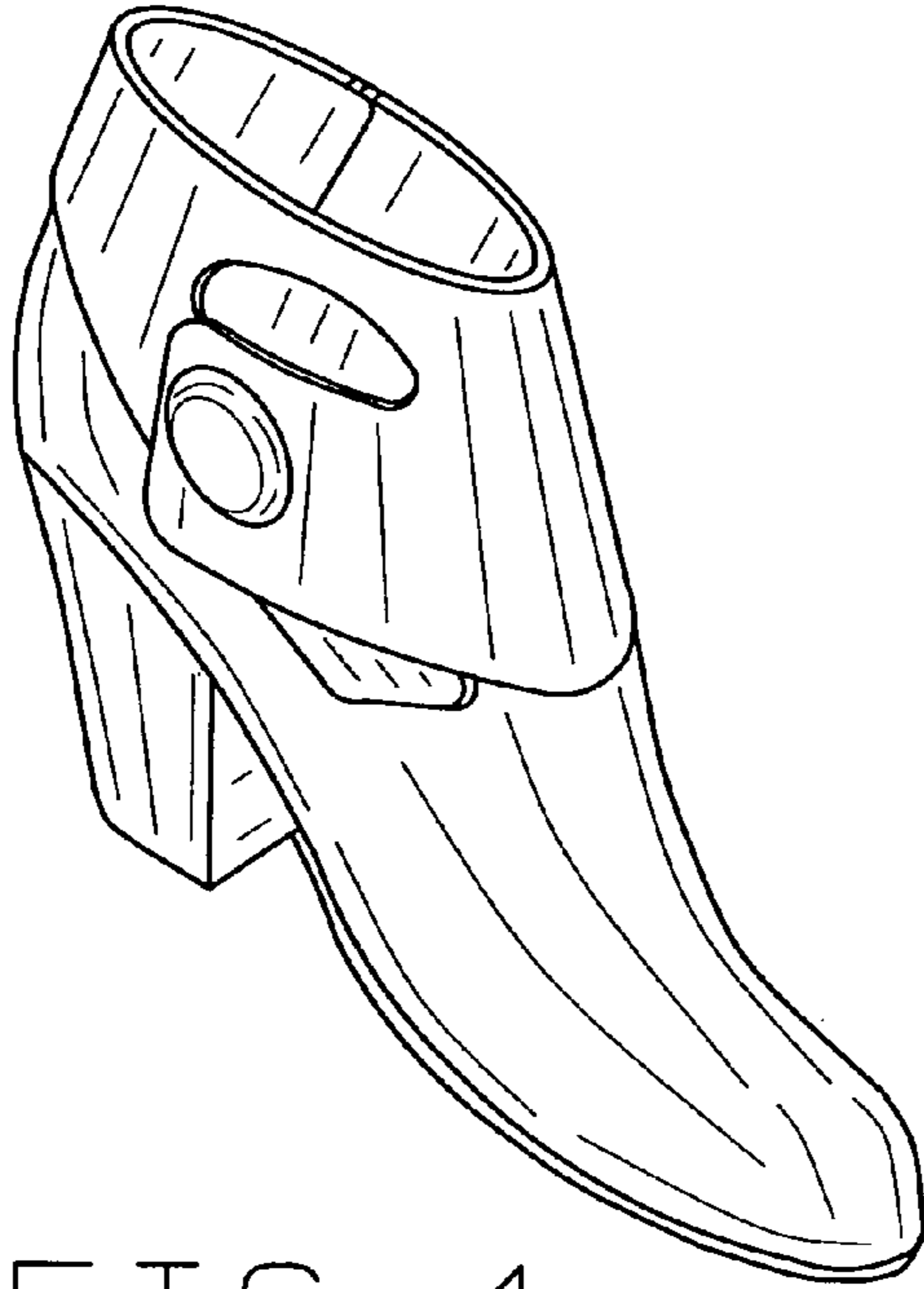


FIG. 1

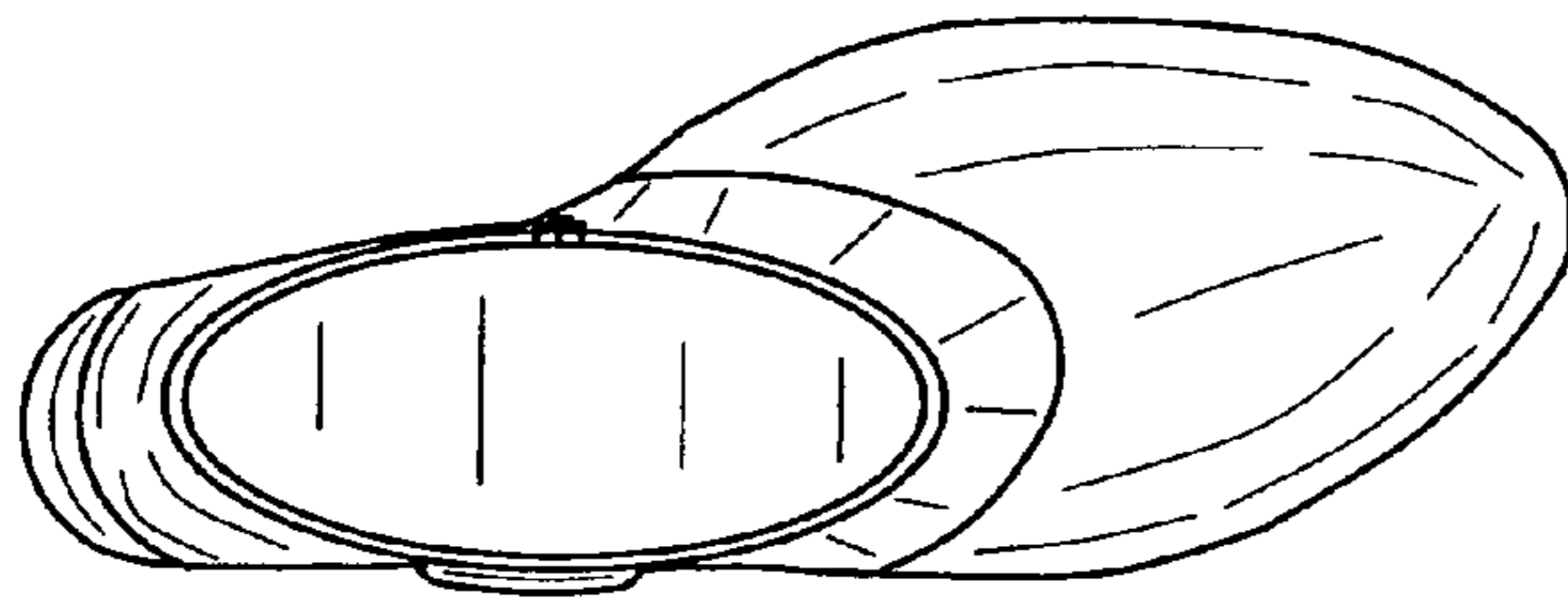


FIG. 2

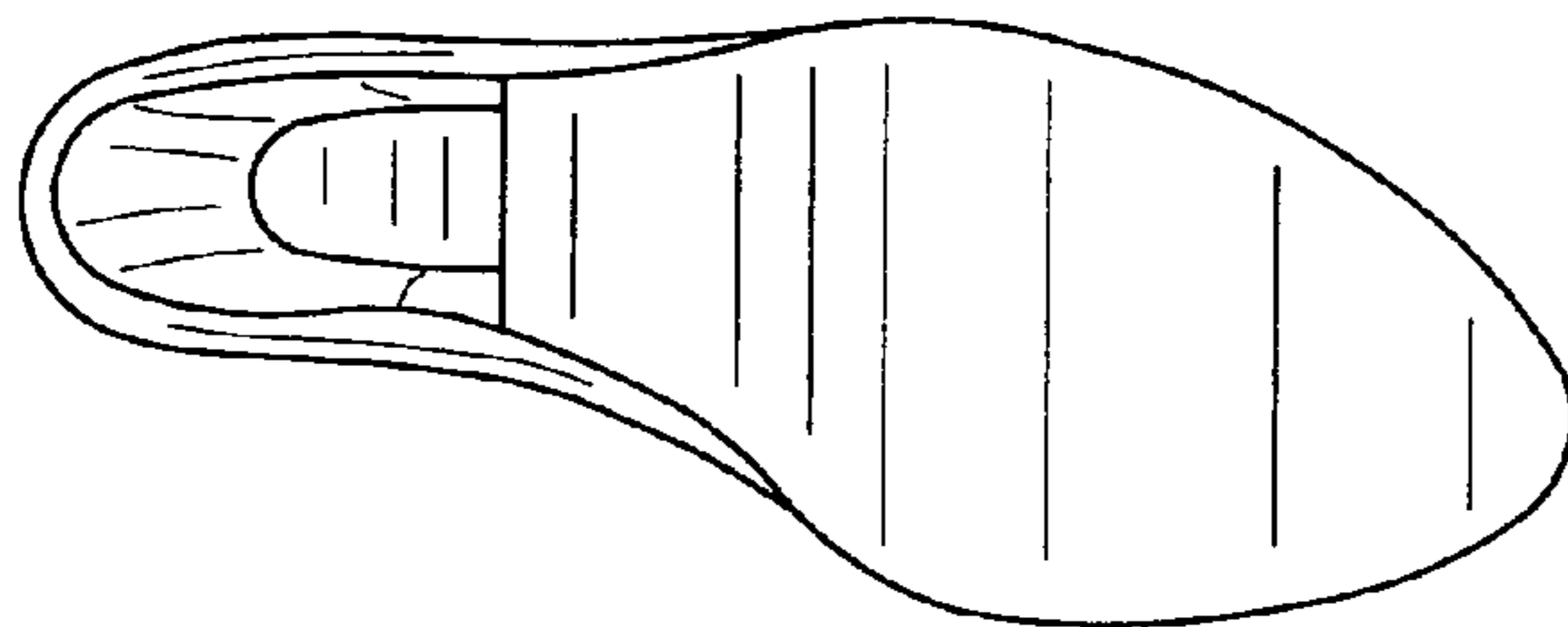


FIG. 3

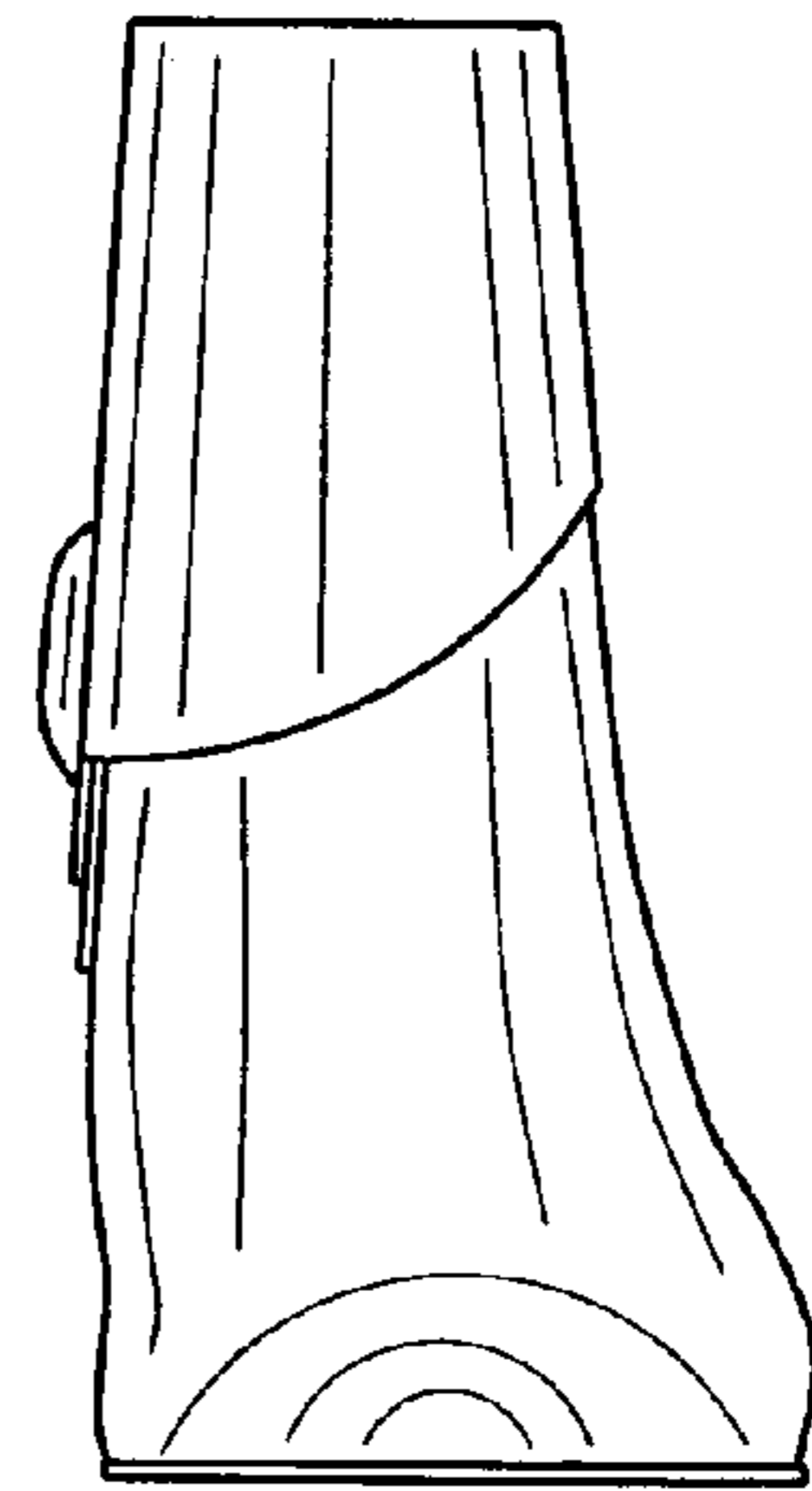


FIG. 6

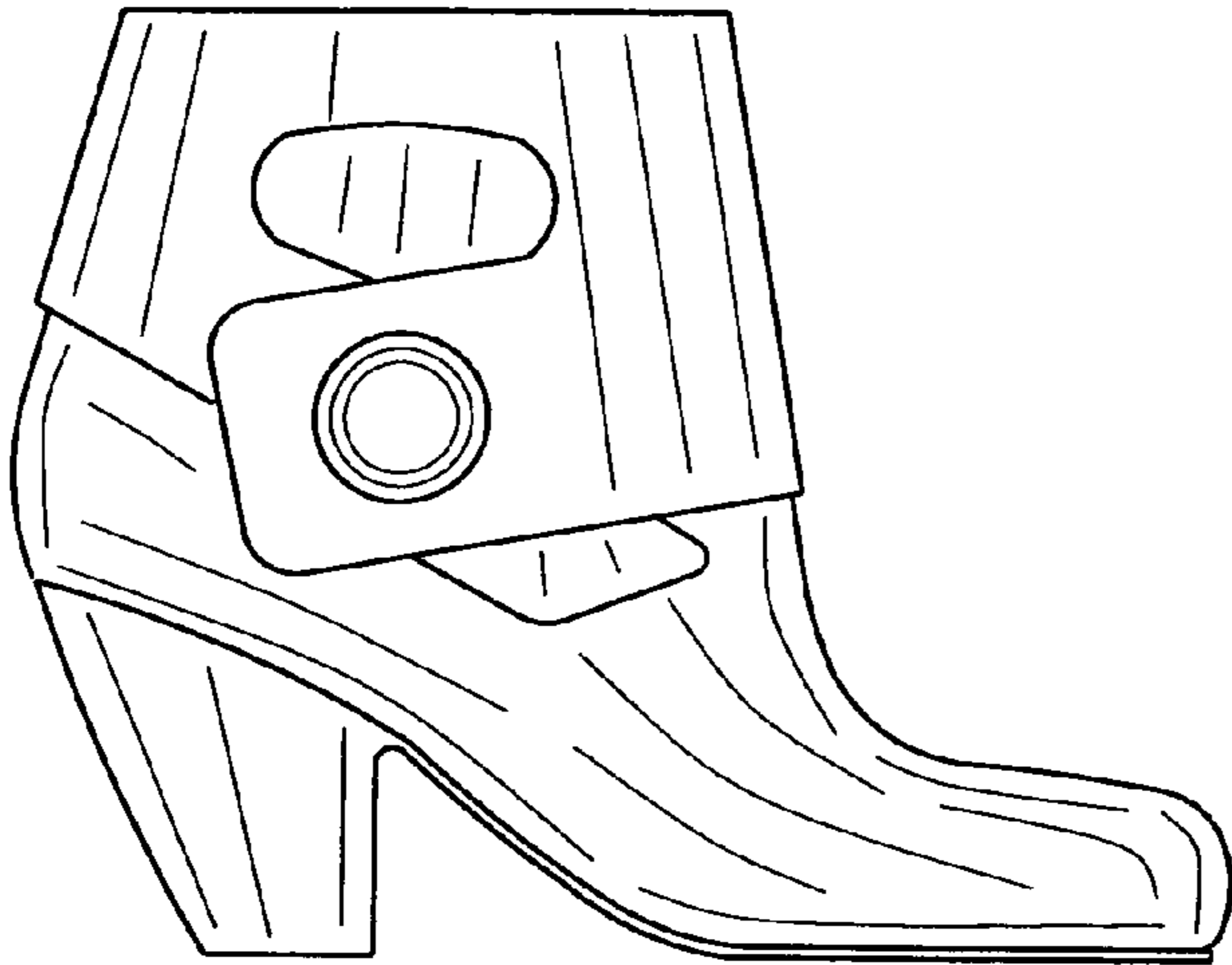


FIG. 4

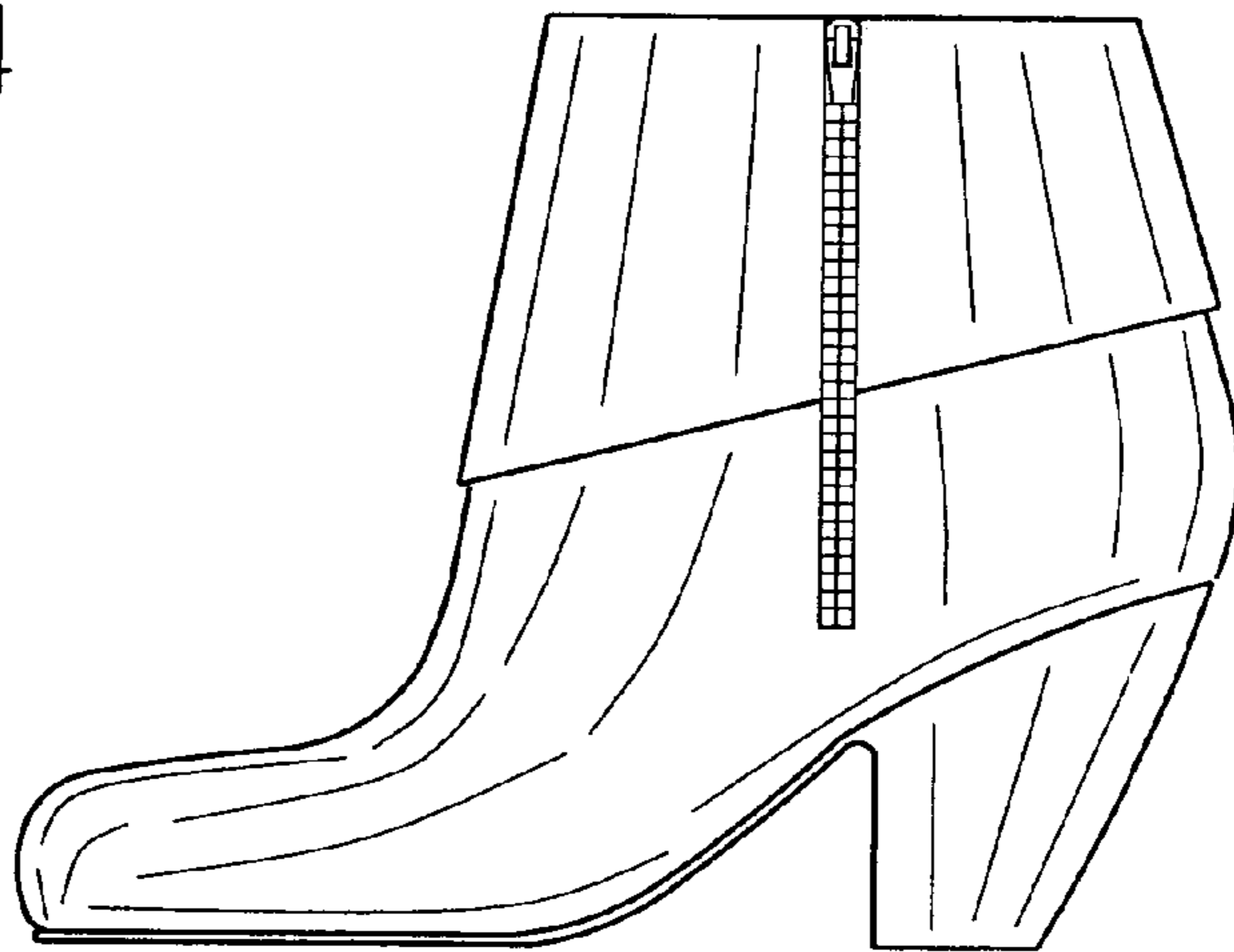


FIG. 5

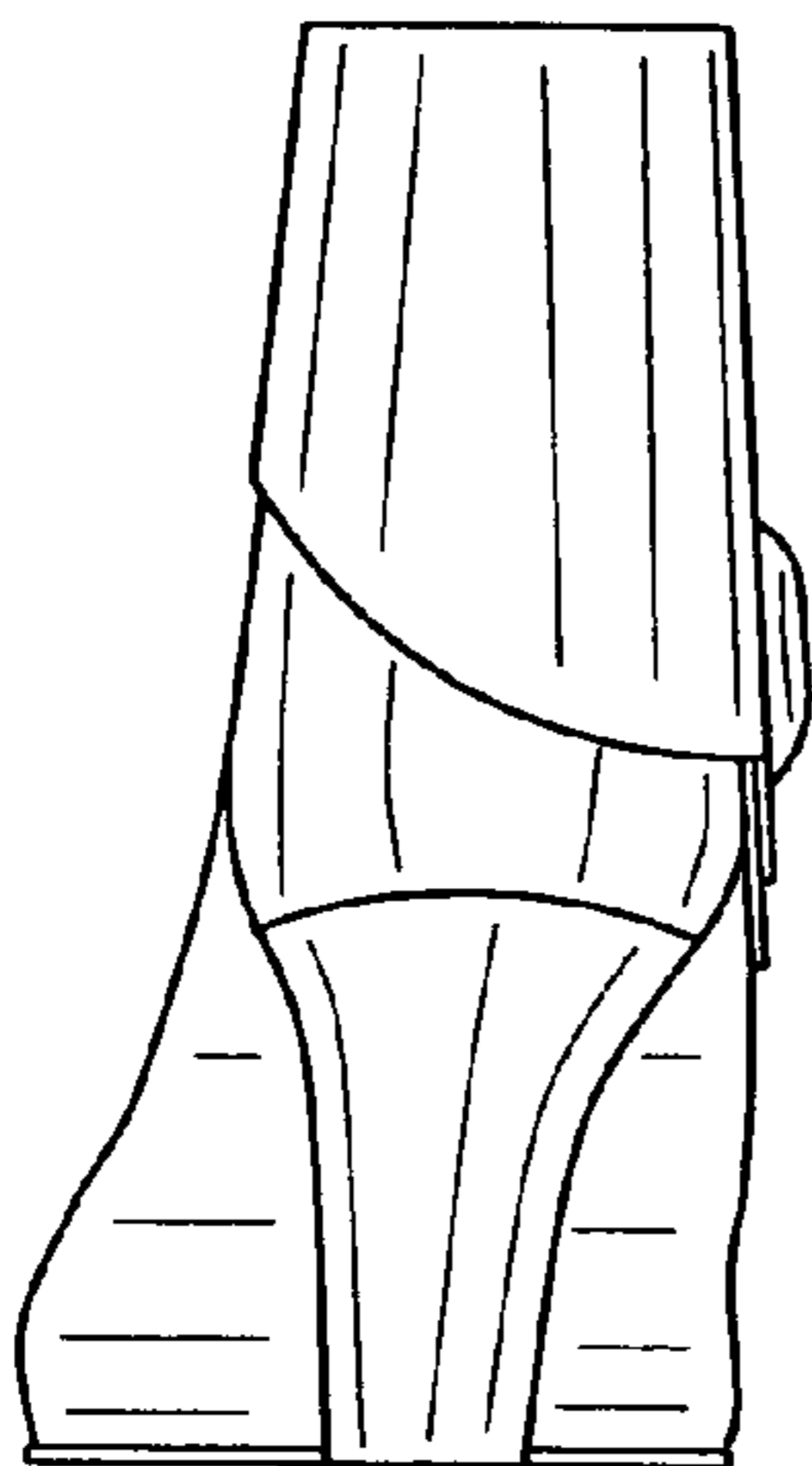


FIG. 7