



US00D648926S

(12) **United States Design Patent**
Glazer

(10) **Patent No.:** **US D648,926 S**

(45) **Date of Patent:** **** Nov. 22, 2011**

(54) **SHOE**

(76) **Inventor:** **Pamela Glazer**, New York, NY (US)

(**) **Term:** **14 Years**

(21) **Appl. No.:** **29/382,971**

(22) **Filed:** **Jan. 10, 2011**

(51) **LOC (9) Cl.** **02-04**

(52) **U.S. Cl.** **D2/896; D2/923**

(58) **Field of Classification Search** D2/896,
D2/900, 916, 917, 923, 943, 946, 969, 972,
D2/976; 36/45, 8, 100, 88, 102, 112, 113,
36/3 A, 3 R, 7.4, 11.5, 4, 87, 7.5
See application file for complete search history.

D579,651 S	11/2008	Hearn	
D584,032 S	1/2009	Jarosik	
D584,037 S	1/2009	del Biondi et al.	
D584,496 S	1/2009	Matis et al.	
D588,346 S	3/2009	McCarthy	
D610,784 S	3/2010	Del Biondi	
D611,232 S	3/2010	Della Valle et al.	
D613,482 S	4/2010	Della Valle et al.	
D613,484 S	4/2010	Meador	
D613,485 S	4/2010	Meador	
D615,734 S	5/2010	Di Nucci	
D618,448 S	6/2010	Hill et al.	
D624,289 S *	9/2010	Lambert et al.	D2/898
D624,733 S *	10/2010	O'Boyle et al.	D2/923
D626,728 S *	11/2010	Tzenos et al.	D2/896

* cited by examiner

Primary Examiner — Rob M Spear

Assistant Examiner — Rashida C McCoy

(74) *Attorney, Agent, or Firm* — Kenyon & Kenyon LLP

(56) **References Cited**

U.S. PATENT DOCUMENTS

D448,918 S	10/2001	Hoyt et al.	
D452,366 S	12/2001	Wilson	
D452,769 S	1/2002	Jacobs	
D457,715 S	5/2002	Wilson	
D473,040 S *	4/2003	Hawker et al.	D2/896
D479,034 S	9/2003	Tzenos	
D499,239 S	12/2004	Burg et al.	
D517,789 S	3/2006	Seamans	
D517,790 S	3/2006	Seamans	
D529,263 S *	10/2006	Wolf	D2/923
D561,982 S	2/2008	Hoyt	
D564,204 S	3/2008	Seamans	
D564,206 S	3/2008	Seamans	
D564,743 S	3/2008	Seamans	
D569,597 S	5/2008	Matis	
D573,778 S *	7/2008	Hawker	D2/896
D575,482 S	8/2008	Hoyt	
D575,489 S	8/2008	Whiteside	
D575,937 S	9/2008	Klavano	
D578,743 S *	10/2008	Liow	D2/896
D579,182 S	10/2008	Klavano	

(57) **CLAIM**

The ornamental design for a shoe, as shown and described.

DESCRIPTION

FIG. 1 is a front perspective view of a shoe showing my new design;

FIG. 2 is a front view thereof;

FIG. 3 is a right side view thereof;

FIG. 4 is a rear view thereof;

FIG. 5 is a left side view thereof;

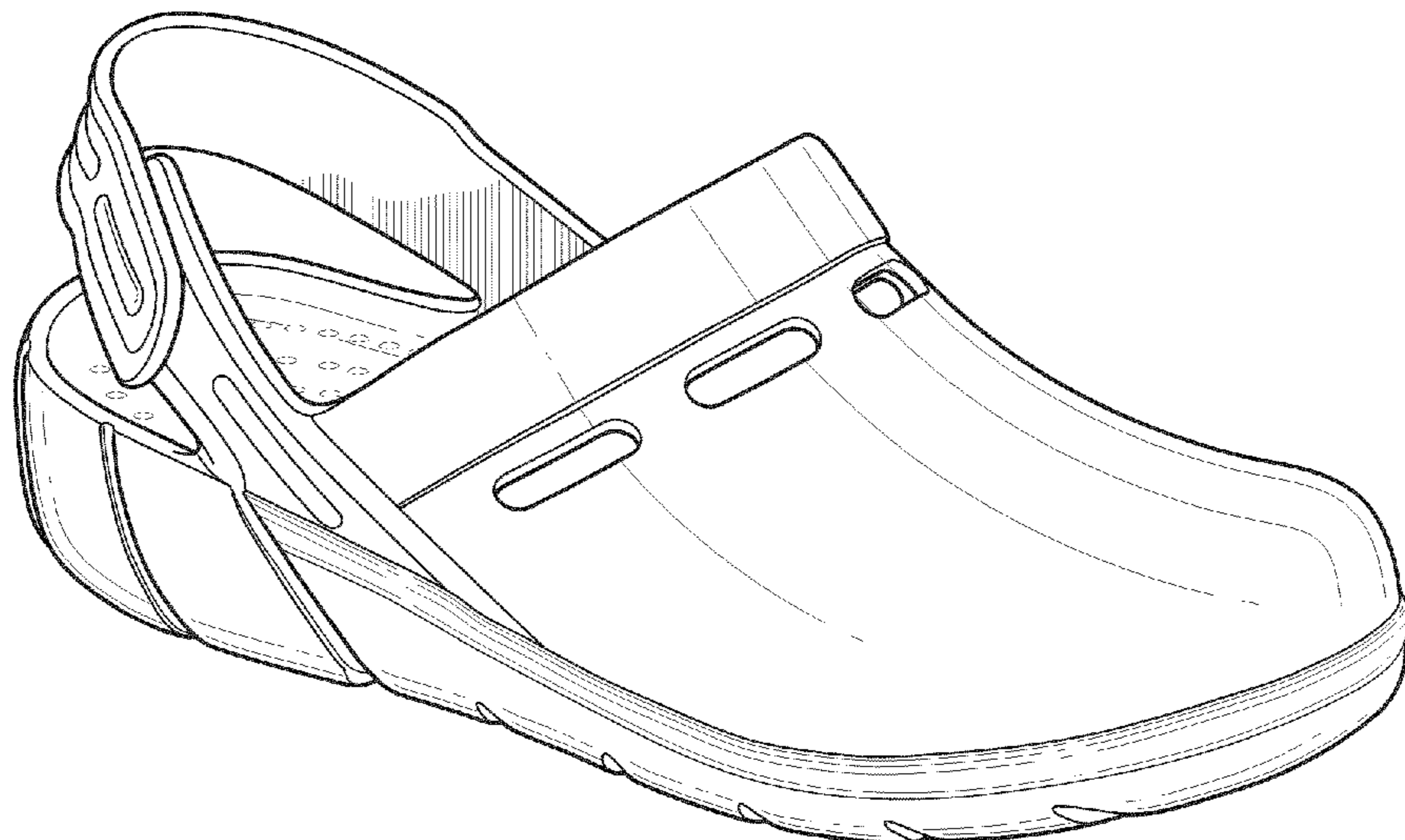
FIG. 6 is a top plan view thereof; and,

FIG. 7 is a bottom plan view thereof.

The broken line showing of the Figures is for purposes of illustration and forms no part of the claimed design.

The broken line showing of the figures illustrates unclaimed elements of the design.

1 Claim, 7 Drawing Sheets



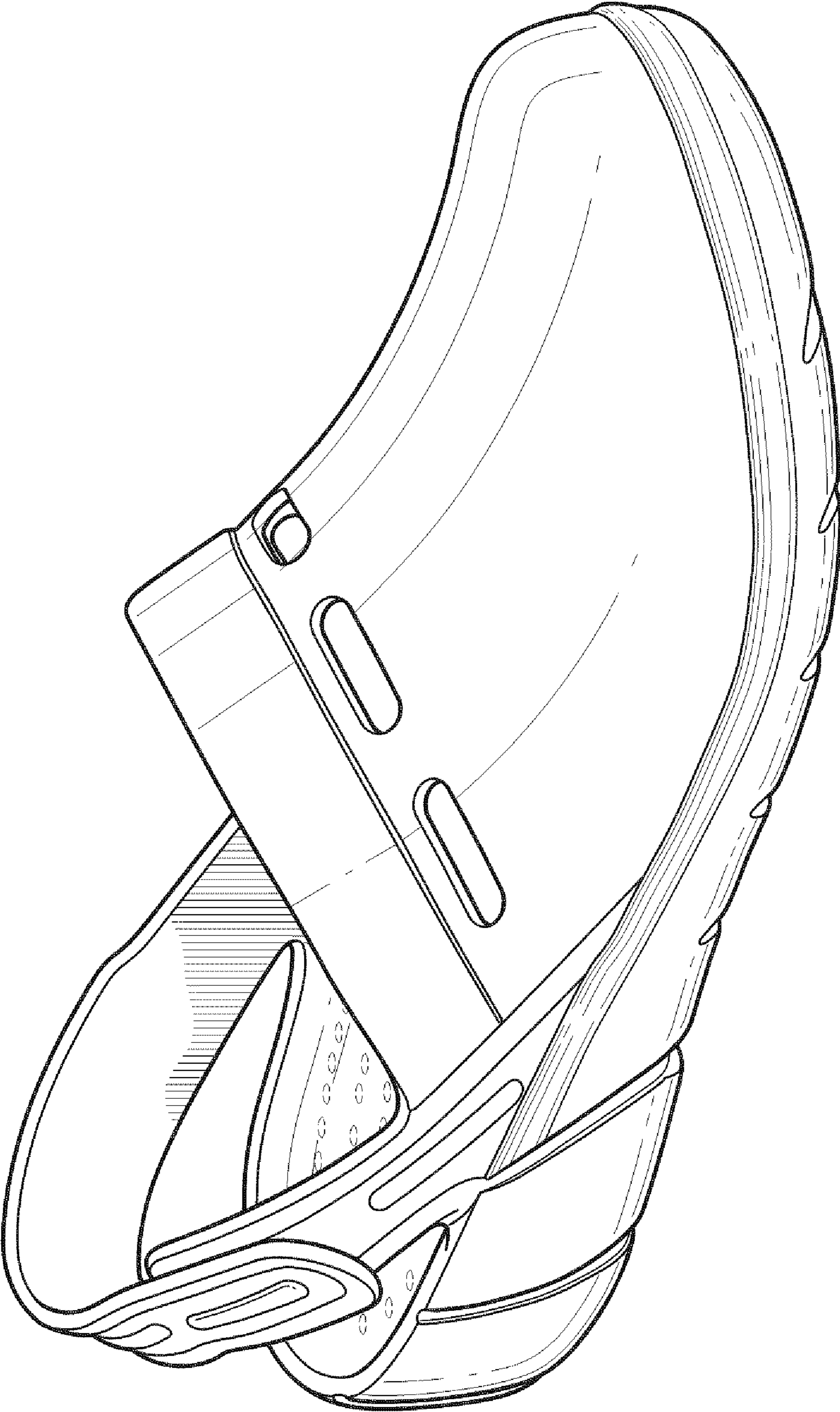


FIG. 1

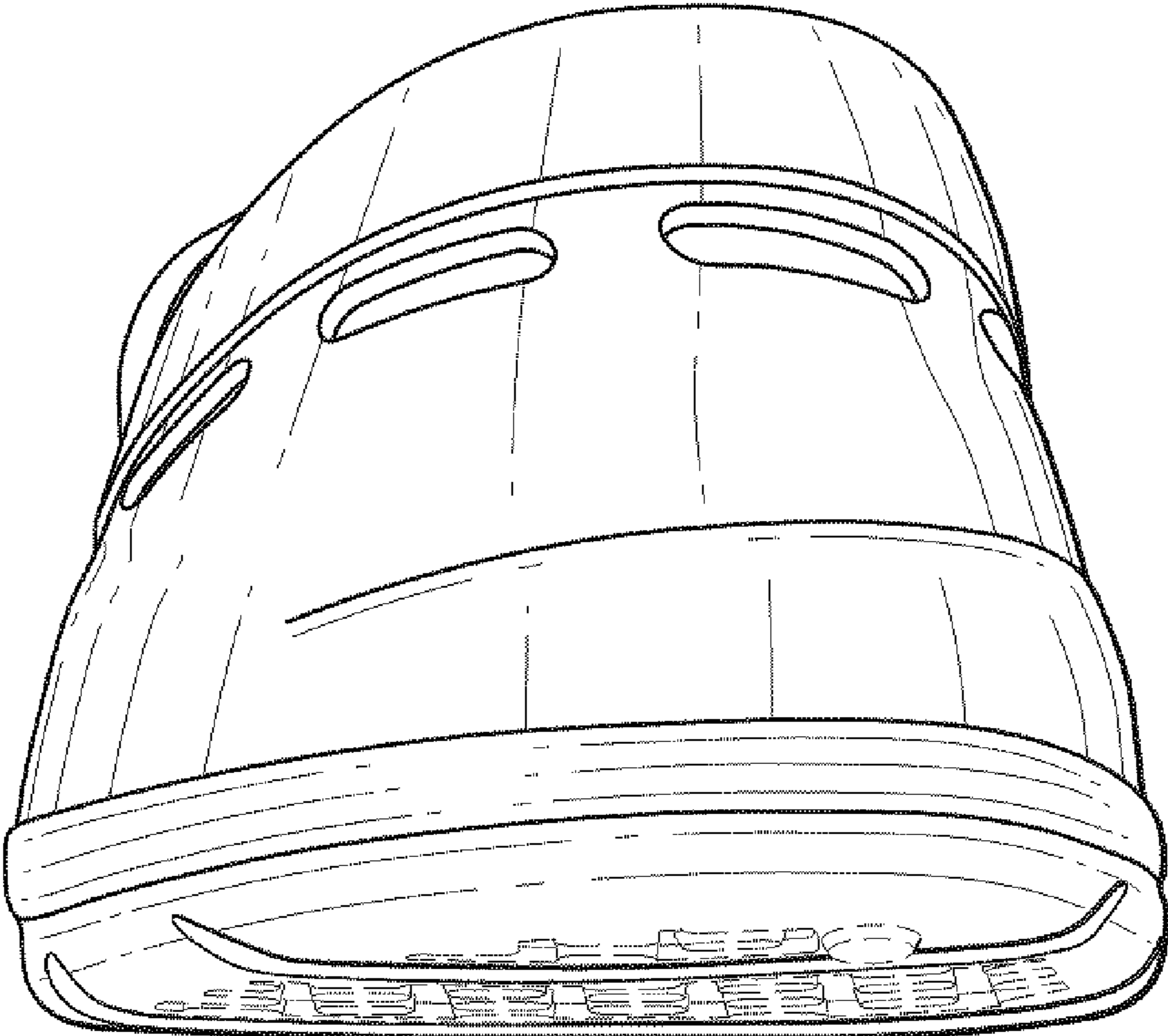


FIG. 2

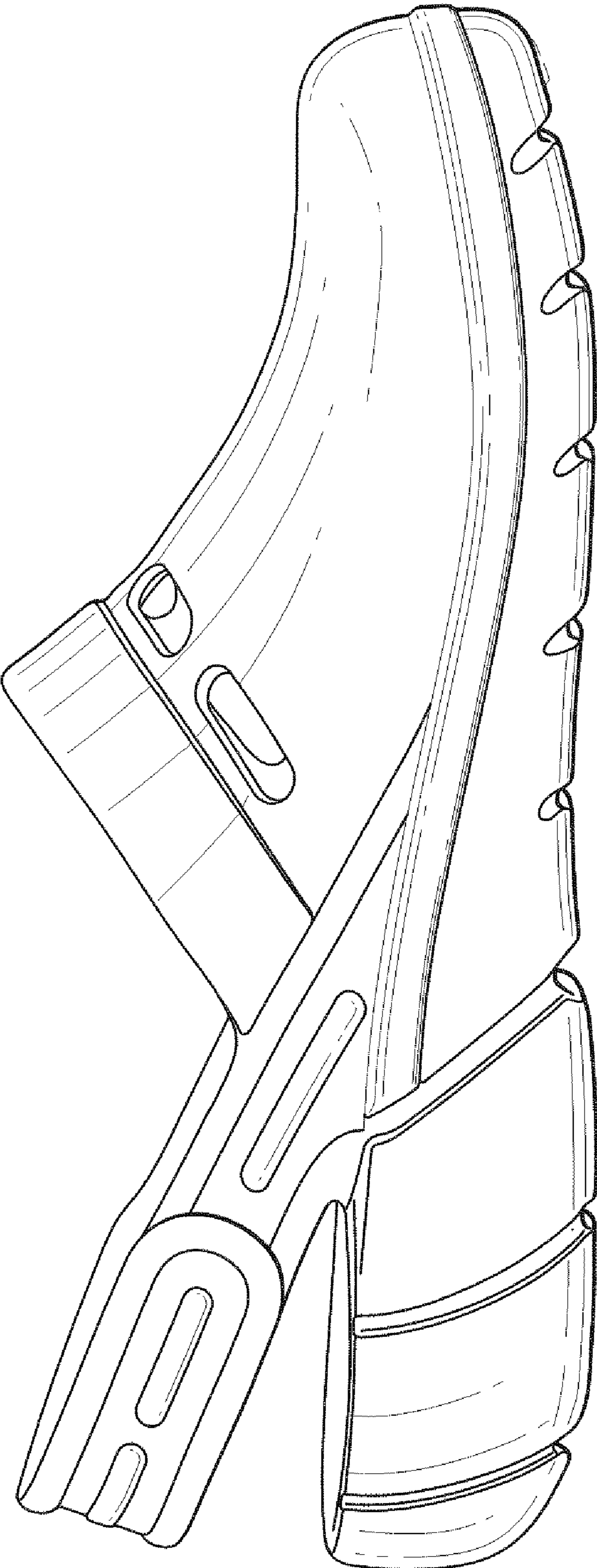


FIG. 3

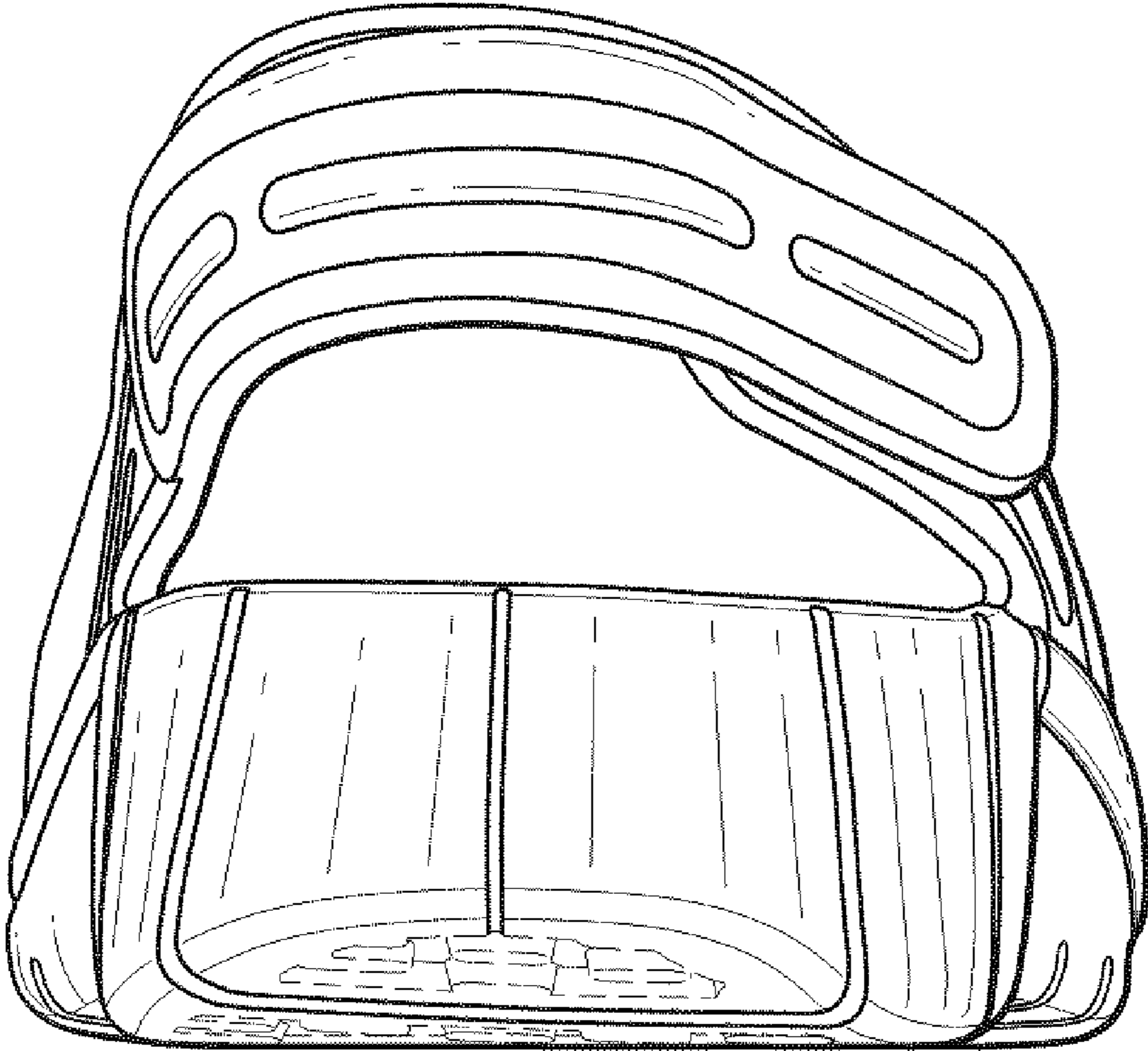


FIG. 4

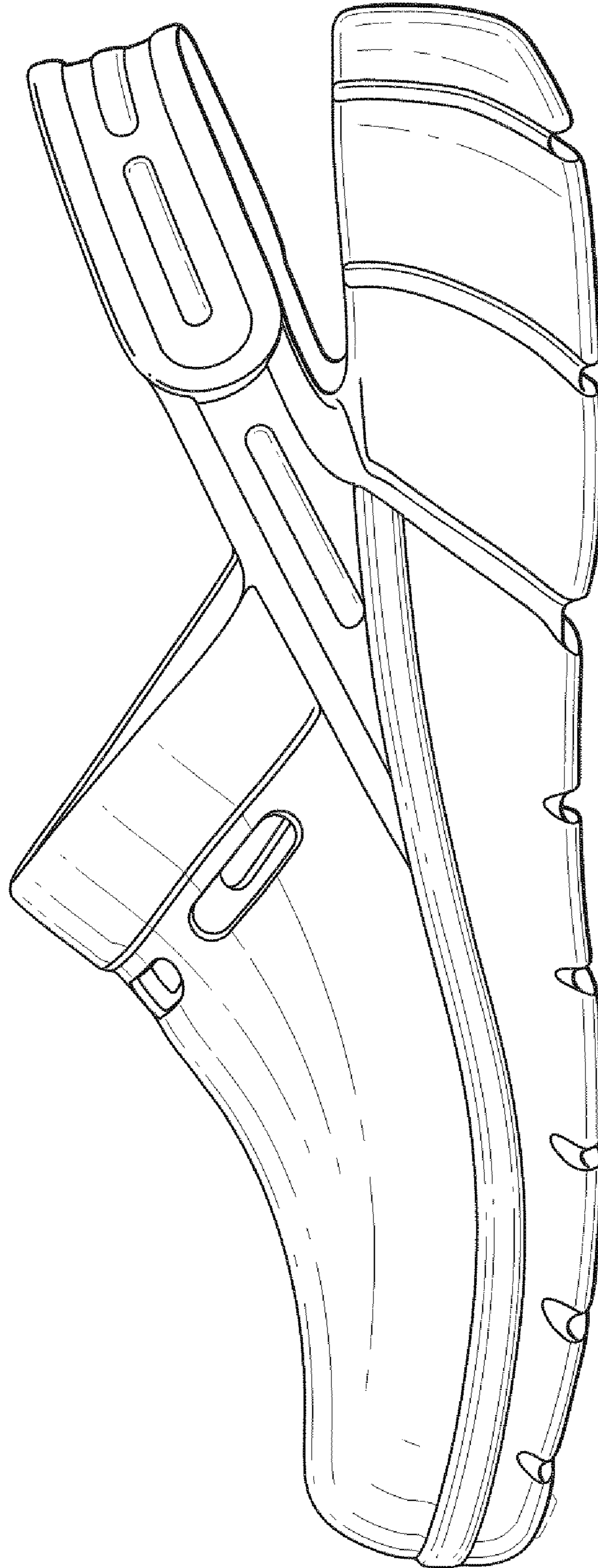


FIG. 5

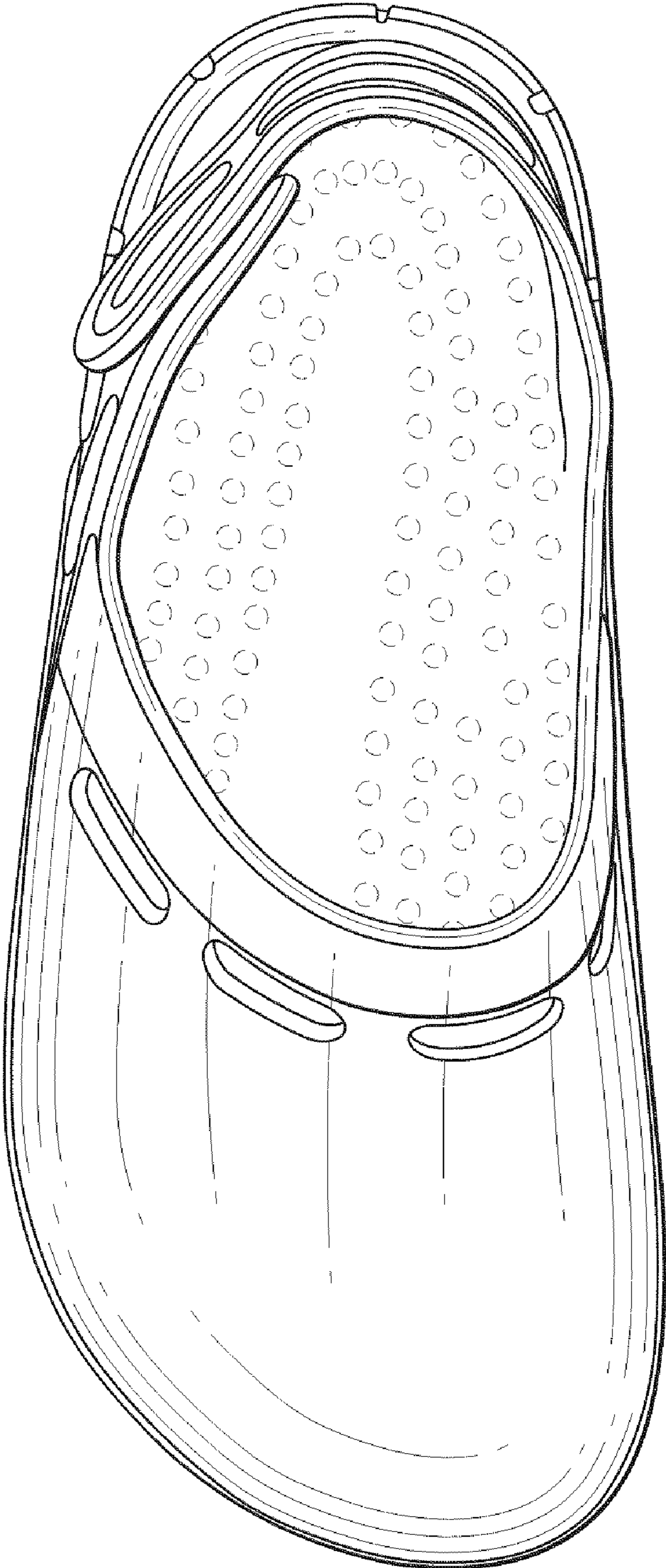


FIG. 6

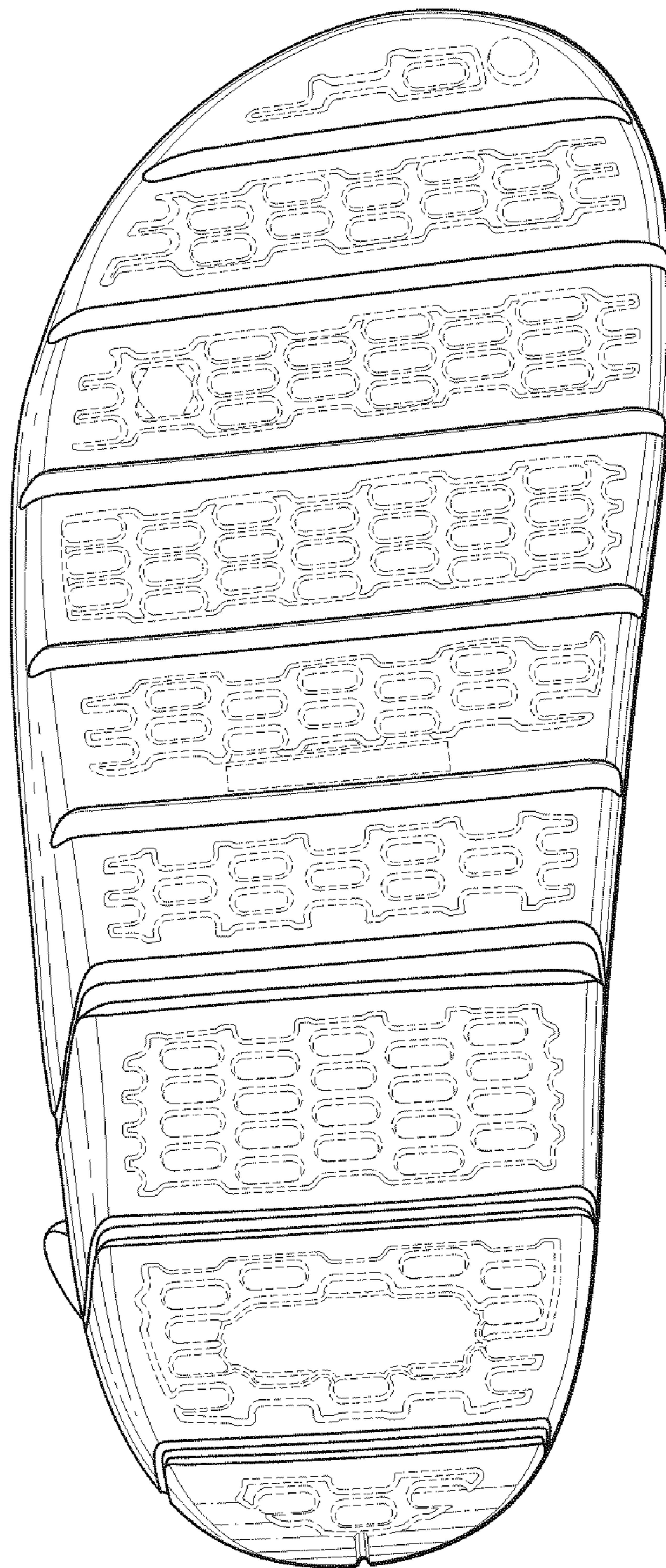


FIG. 7