



US00D648922S

(12) **United States Design Patent**
Evans et al.

(10) **Patent No.:** **US D648,922 S**
(45) **Date of Patent:** **** Nov. 22, 2011**

(54) **COMBAT STYLE PANTS**

(75) Inventors: **Lindsay Marie Evans**, Ashland, OR (US); **Martin Lorn Flora**, Ashland, OR (US)

(73) Assignee: **Massig Mountain Gear Company, LLC**, Ashland, OR (US)

(**) Term: **14 Years**

(21) Appl. No.: **29/389,540**

(22) Filed: **Apr. 13, 2011**

(51) **LOC (9) Cl.** **02-02**

(52) **U.S. Cl.** **D2/742**

(58) **Field of Classification Search** D2/700,
D2/712, 713, 731-734, 737, 738, 742; 2/67,
2/78.1, 78.2, 82, 79, 80, 227, 228, 400, 406,
2/407, 238

See application file for complete search history.

(56) **References Cited**

U.S. PATENT DOCUMENTS

D58,551 S	8/1921	Dalton	
D59,502 S	10/1921	Meacham	
D68,120 S	9/1925	Spencer	
D96,079 S	7/1935	Anderson	
D243,724 S	3/1977	Schaefer	
4,625,336 A *	12/1986	Derderian	2/79
D306,511 S	3/1990	Jones	
5,127,106 A	7/1992	Aldridge	
D353,254 S	12/1994	Welch	
D374,329 S	10/1996	Wilde	
D402,424 S	12/1998	Jackson	
D431,345 S	10/2000	Newkirk, Jr.	
D464,790 S	10/2002	Townes et al.	
6,651,254 B1	11/2003	Chang	
D526,467 S	8/2006	Kent	
D527,170 S *	8/2006	Chionna	D2/742
D536,157 S *	2/2007	Kimmel	D2/742
7,171,695 B2	2/2007	Braun	

(Continued)

FOREIGN PATENT DOCUMENTS

DE 102 61 359 A1 7/2004

OTHER PUBLICATIONS

U.S. Appl. No. 29/365,461, filed Jul. 9, 2010, Flora et al., Military Style Pants.

(Continued)

Primary Examiner — Rashida Johnson

(74) *Attorney, Agent, or Firm* — Dority & Manning, P.A.

(57) **CLAIM**

The ornamental design for combat style pants, as shown and described.

DESCRIPTION

FIG. 1 is a front perspective view of combat style pants showing the design;

FIG. 2 is a front view of the combat style pants of FIG. 1;

FIG. 3 is a left side view of the combat style pants of FIG. 1;

FIG. 4 is a right side view of the combat style pants of FIG. 1;

FIG. 5 is a rear view of the combat style pants of FIG. 1;

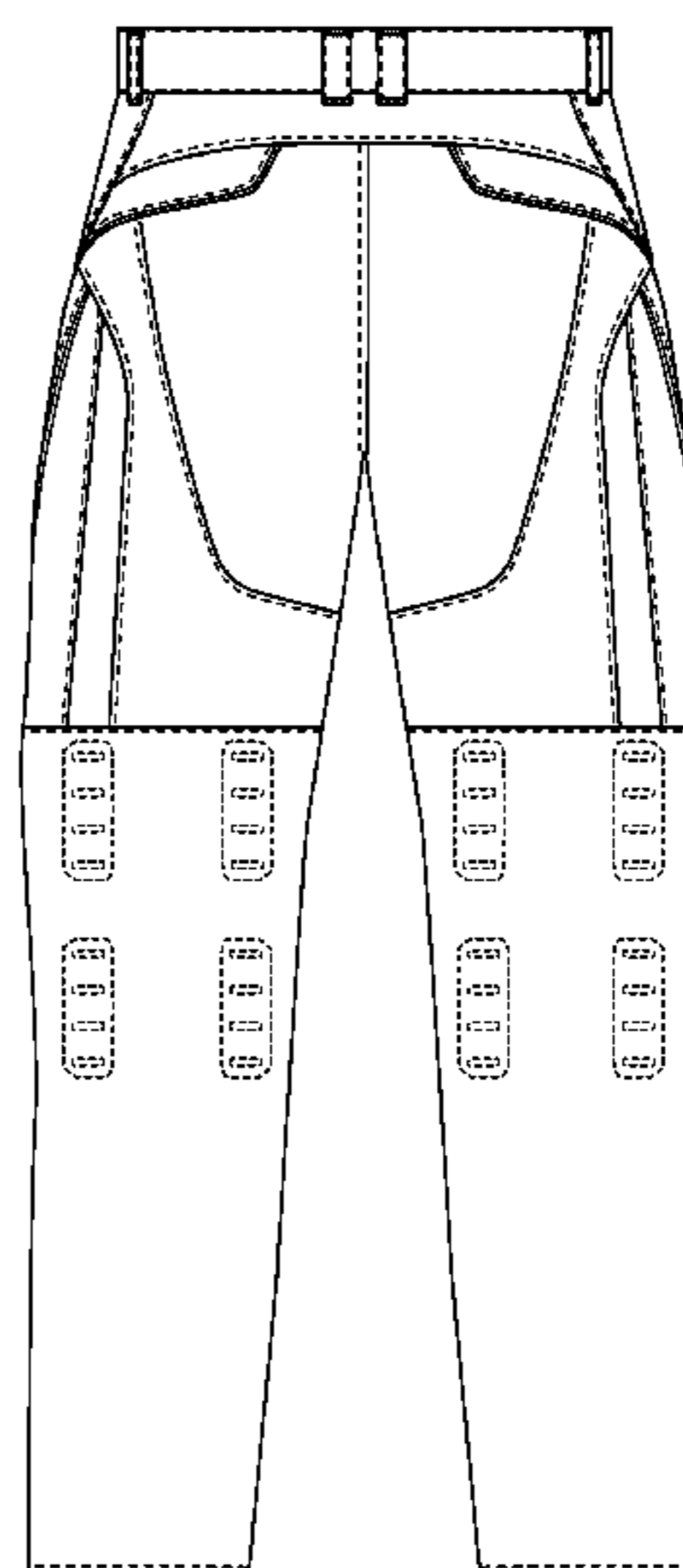
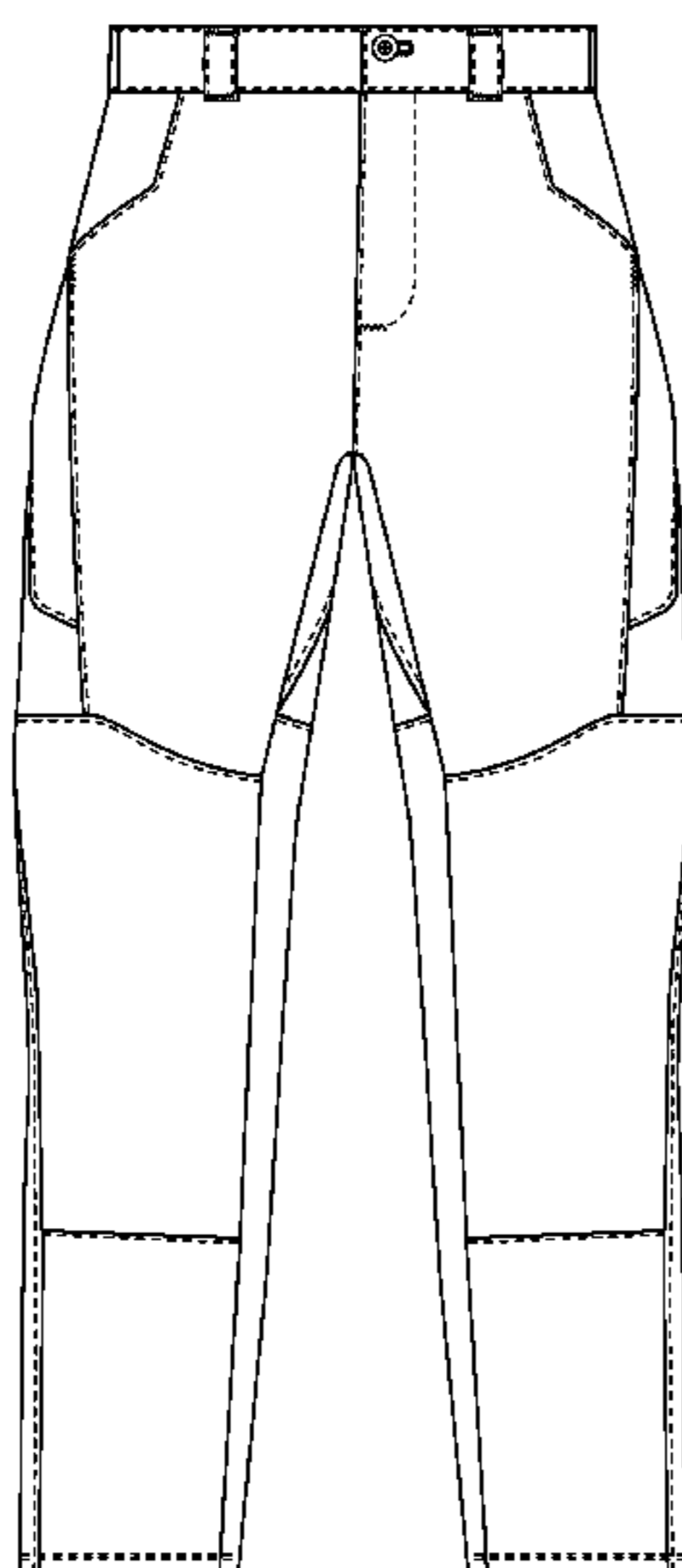
FIG. 6 is a top view of the combat style pants of FIG. 1;

FIG. 7 is a bottom view of the combat style pants of FIG. 1; and,

FIG. 8 is a front perspective view of the combat style pants of FIG. 1, as worn.

The broken lines, shown on the surface of the pants in FIGS. 1-8, represent stitching. The broken lines in FIG. 8, showing portions of the human form, illustrate the design in use and form no part of the claim. The broken lines in FIGS. 1, 6 and 7 circumscribing the waist and ankle openings delineate the claimed subject matter and indicate interior portions are not claimed.

1 Claim, 6 Drawing Sheets



US D648,922 S

Page 2

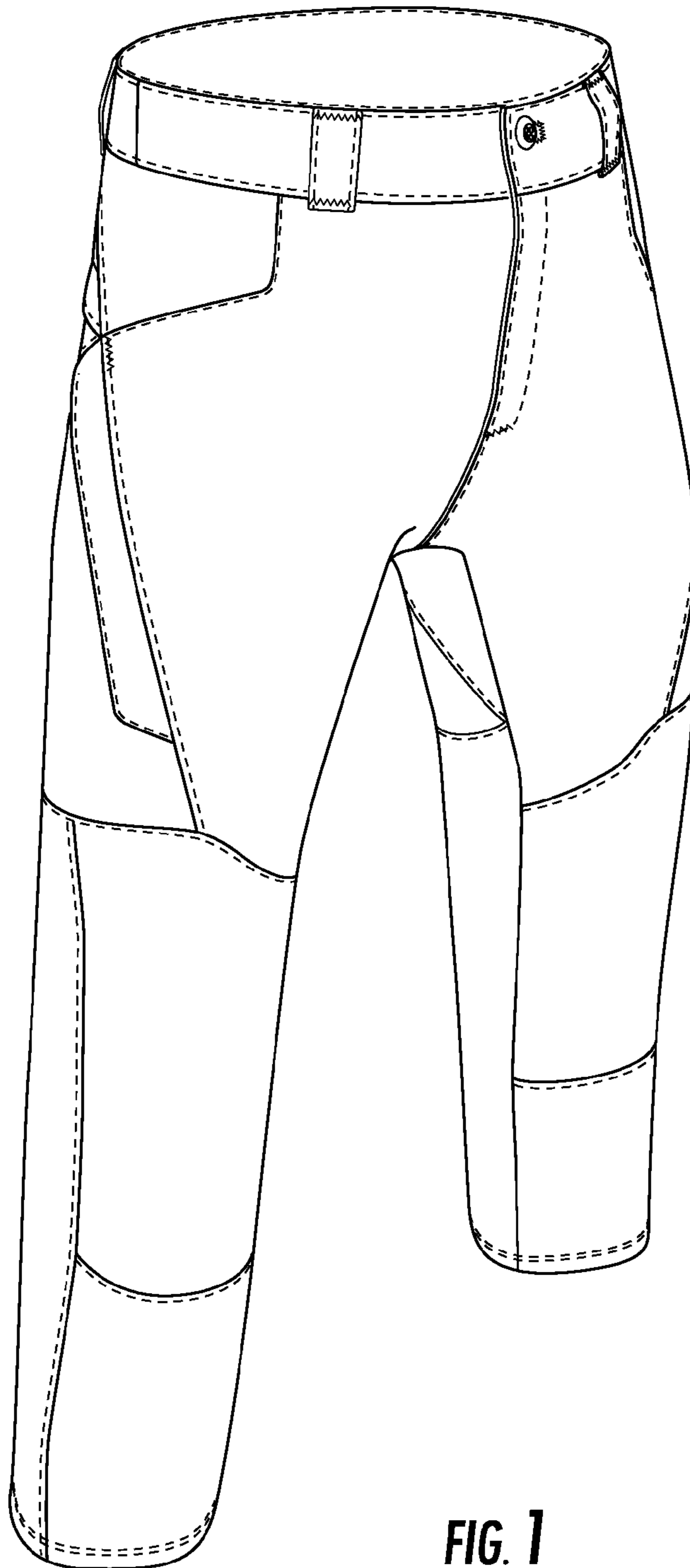
U.S. PATENT DOCUMENTS

D546,029 S * 7/2007 Rindle D2/738
D555,878 S 11/2007 Bay
7,636,948 B1 12/2009 Crye et al.
D608,527 S * 1/2010 Chionna D2/742
D613,927 S * 4/2010 Chionna D2/742
D615,730 S * 5/2010 Chionna D2/742
D620,231 S 7/2010 Parker
D622,937 S 9/2010 Bay
D640,041 S * 6/2011 Flora et al. D2/742
D641,134 S * 7/2011 Zarabi D2/712
2009/0249529 A1 10/2009 Rodriguez et al.
2009/0293167 A1* 12/2009 Kottler 2/23
2010/0212061 A1 8/2010 Luciano
2010/0212062 A1 8/2010 Seguin et al.

OTHER PUBLICATIONS

U.S. Appl. No. 29/365,465, filed Jul. 9, 2010, Evans et al., Military Style Jackets.
U.S. Appl. No. 61/422,820, filed Dec. 14, 2010, Munter et al., System for Integrating a Knee Pad into a Garment.
U.S. Appl. No. 29/388,427, filed Mar. 29, 2011, Evans et al., Integrated Tactical Jacket.
U.S. Appl. No. 13/028,682, filed Feb. 16, 2011, Evans et al., Integrated Garment Systems.
U.S. Appl. No. 29/380,962, filed Dec. 14, 2010, Santo et al., Military Style Shirt with Reinforced Elbow.
U.S. Appl. No. 61/422,720, filed Dec. 14, 2010, Elbow Pad and Upper Body Garment with Elbow Reinforcement.

* cited by examiner



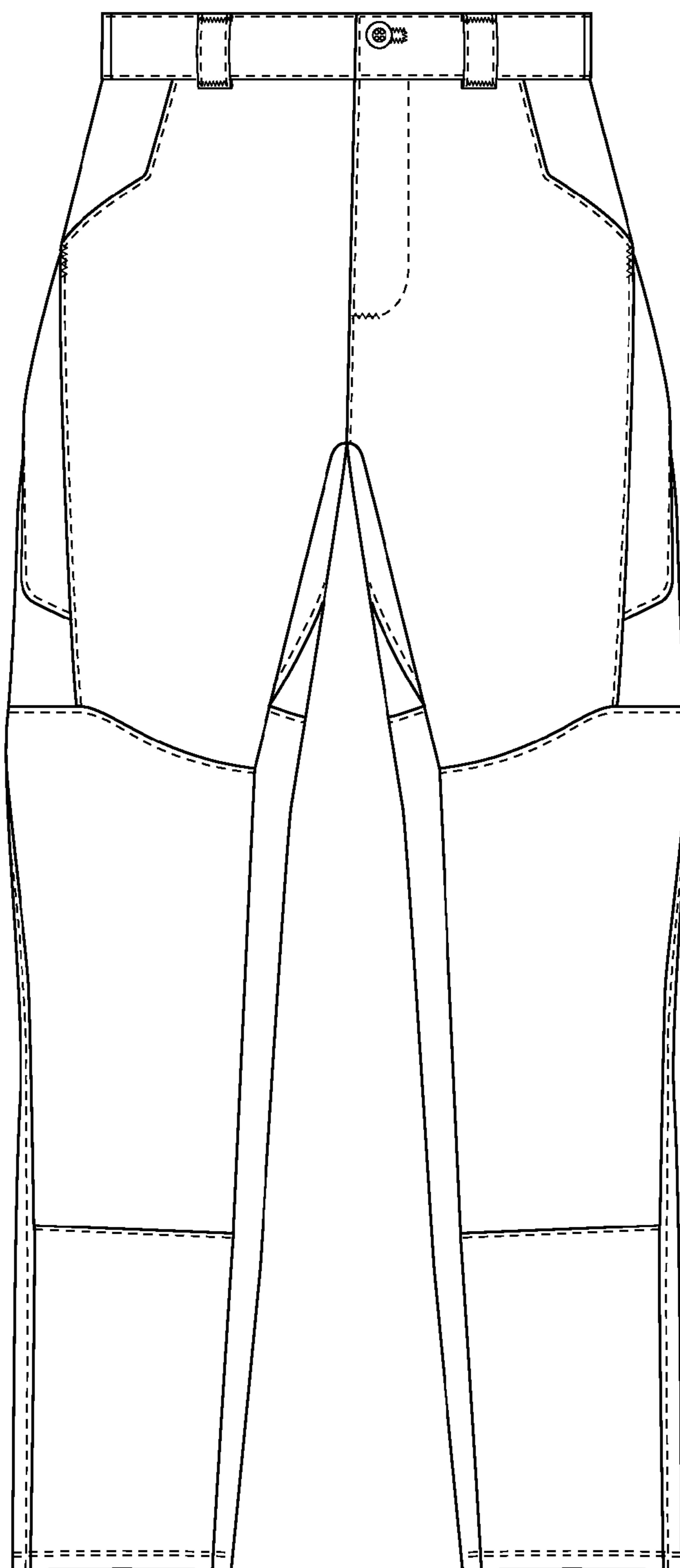


FIG. 2

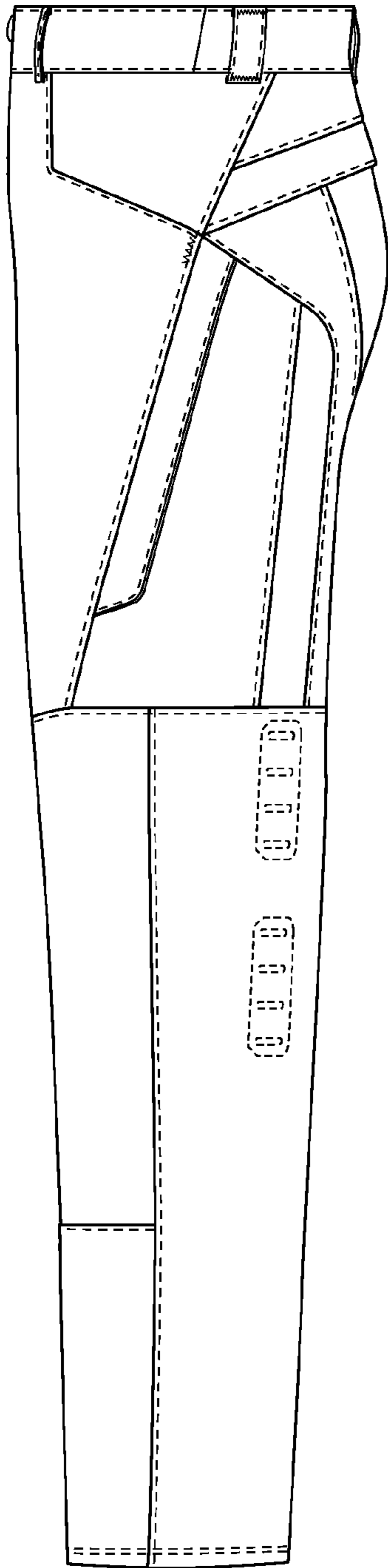


FIG. 3

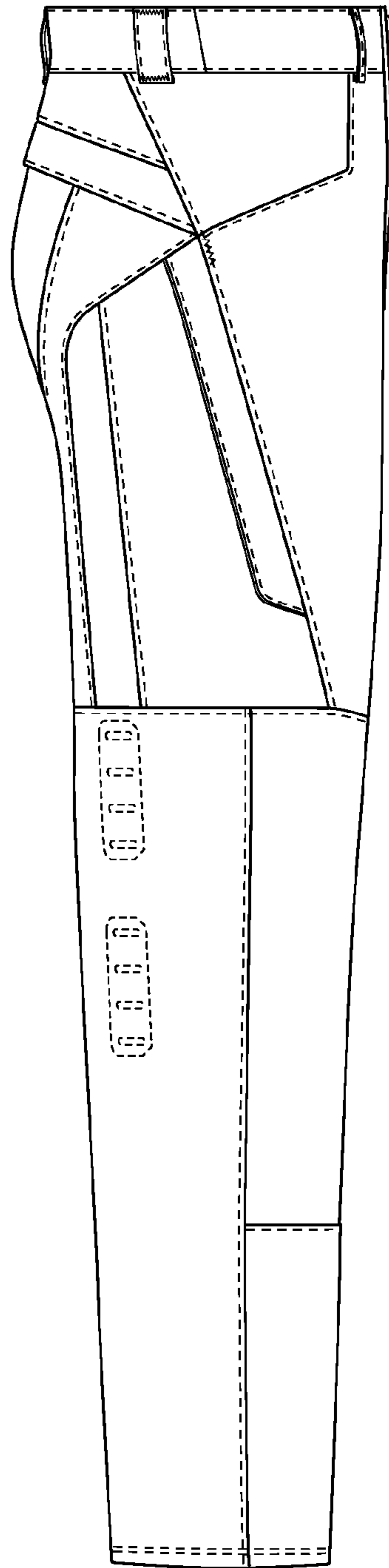


FIG. 4

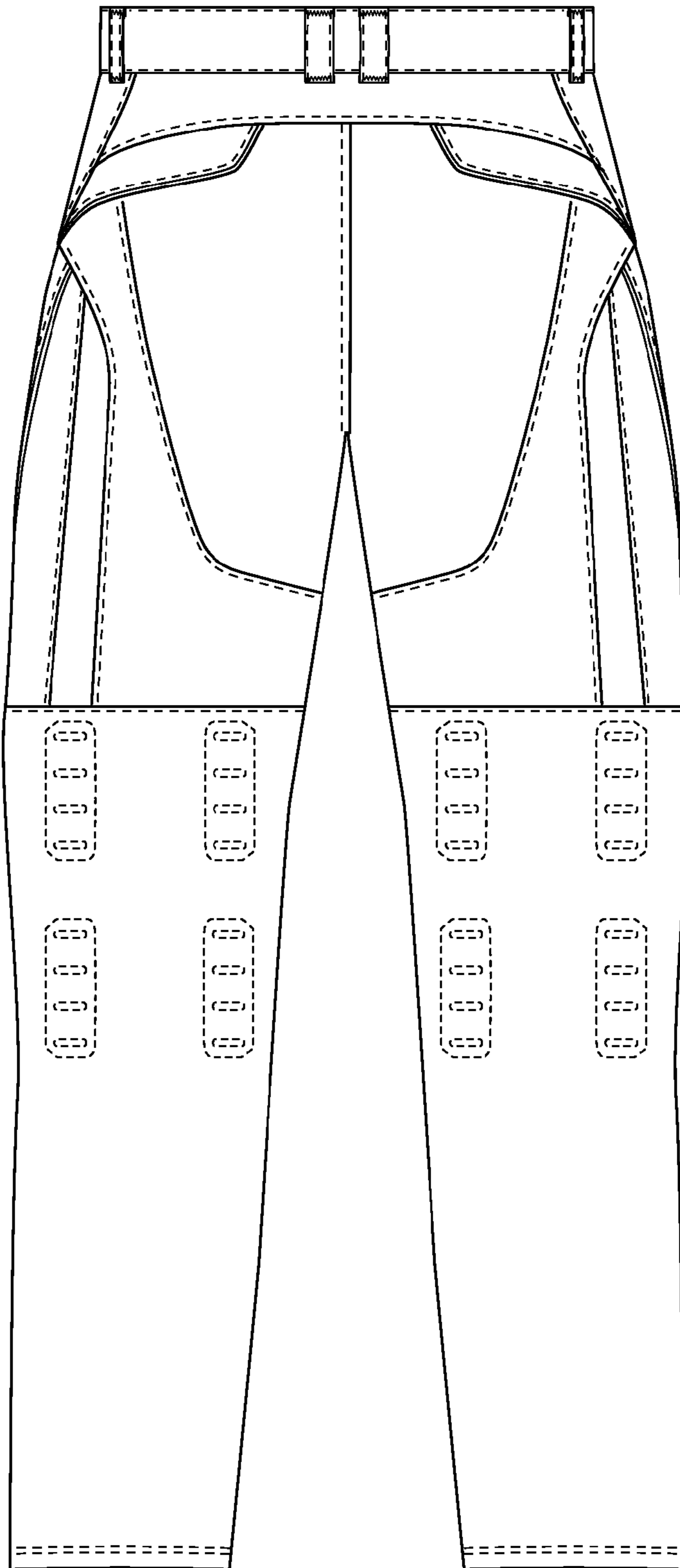


FIG. 5

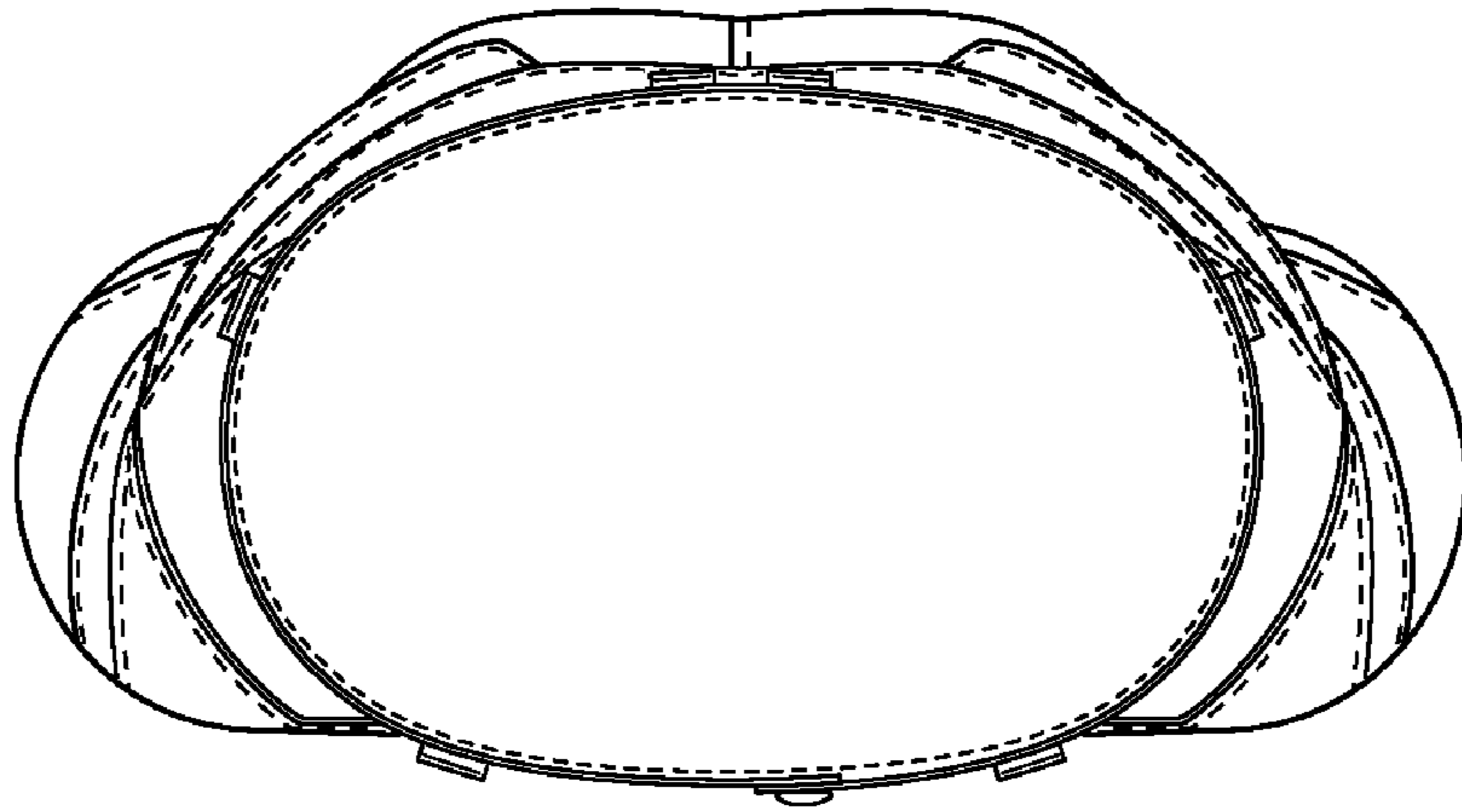


FIG. 6

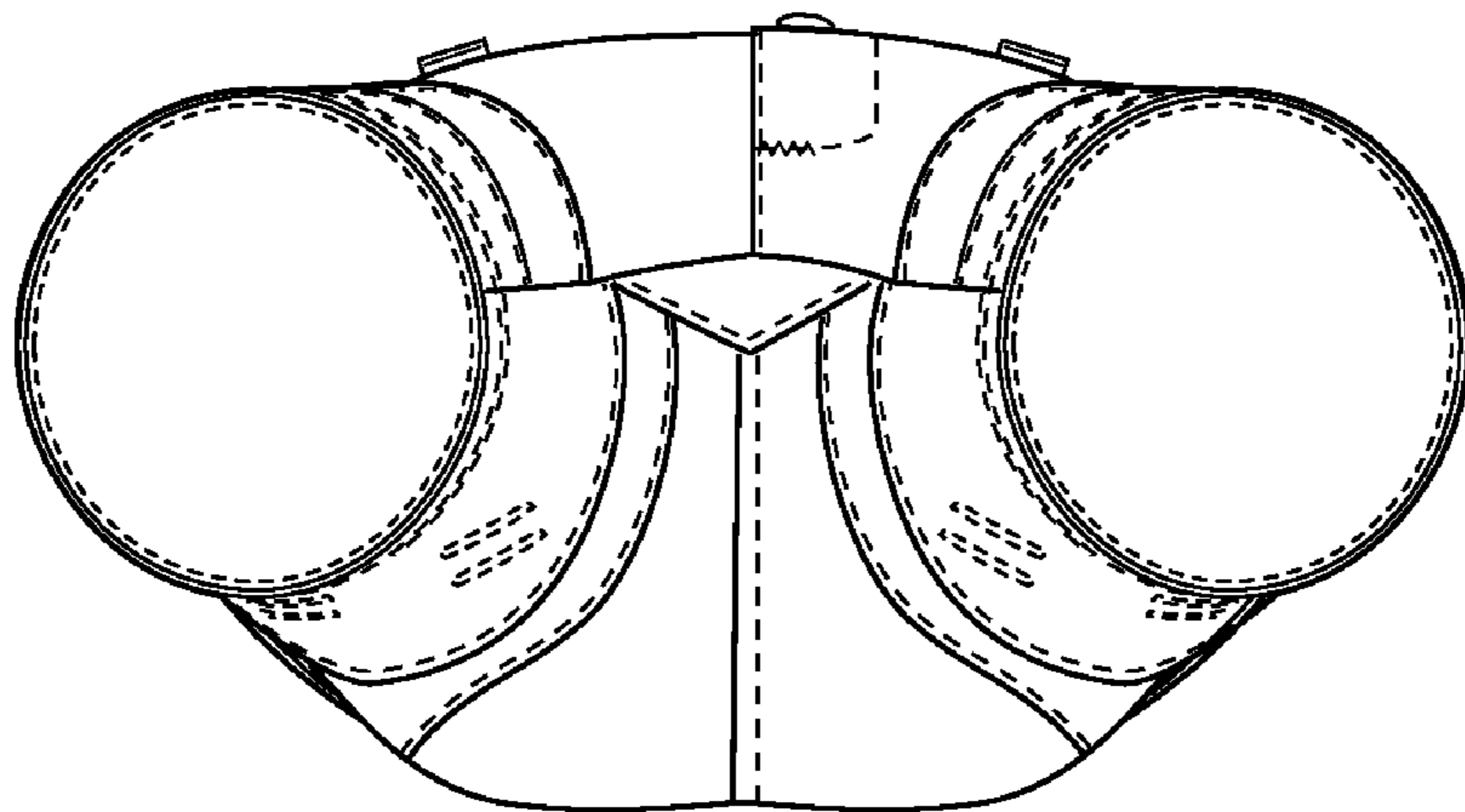


FIG. 7

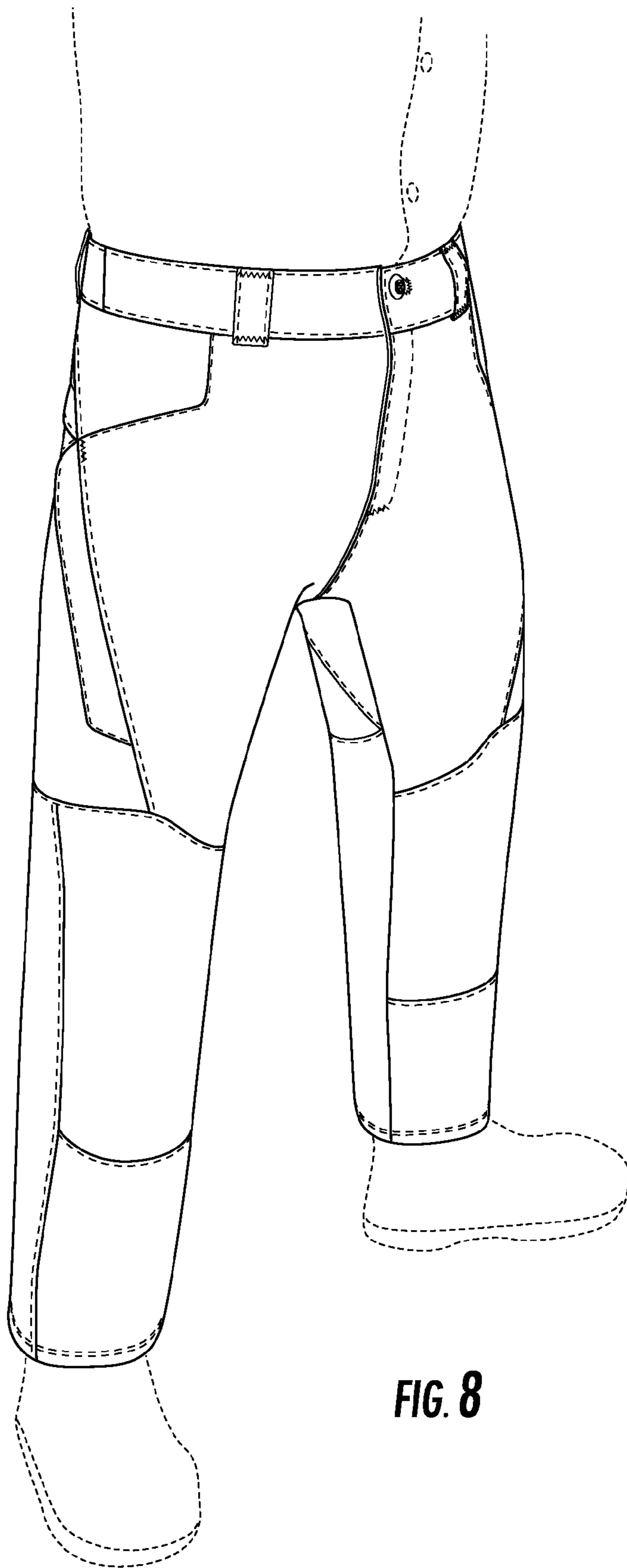


FIG. 8

UNITED STATES PATENT AND TRADEMARK OFFICE
CERTIFICATE OF CORRECTION

PATENT NO. : D648,922 S
APPLICATION NO. : 29/389540
DATED : November 22, 2011
INVENTOR(S) : Lindsay Marie Evans and Martin Lorn Flora

Page 1 of 1

It is certified that error appears in the above-identified patent and that said Letters Patent is hereby corrected as shown below:

On the title page item (73), Assignee name "Massig Mountain Gear Company..." should read --Massif Mountain Gear Company...--

Signed and Sealed this
Eighth Day of October, 2013



Teresa Stanek Rea
Deputy Director of the United States Patent and Trademark Office