



US00D648913S

(12) **United States Design Patent**  
**Fung**

(10) **Patent No.:** **US D648,913 S**

(45) **Date of Patent:** **\*\* Nov. 15, 2011**

(54) **GOLF TROLLEY**

(76) Inventor: **Ho Siu Fung**, Kwai Chung (HK)

(\*\*) Term: **14 Years**

(21) Appl. No.: **29/386,325**

(22) Filed: **Feb. 28, 2011**

(51) **LOC (9) Cl.** ..... **12-13**

(52) **U.S. Cl.** ..... **D34/15**

(58) **Field of Classification Search** ..... D34/12-27;  
280/62, DIG. 6, DIG. 5, 641, 642, 652, 654,  
280/651, 47.19, 47.26, 47.17, 47.18, 47.24,  
280/40, 30

See application file for complete search history.

(56) **References Cited**

**U.S. PATENT DOCUMENTS**

6,698,789	B2 *	3/2004	Reimers et al.	280/651
6,969,078	B2 *	11/2005	Liao	280/38
7,128,333	B2 *	10/2006	Reimers et al.	280/651
D599,973	S *	9/2009	Liao	D34/15
D632,040	S *	2/2011	Liao	D34/15
D634,091	S *	3/2011	Liao	D34/15
D637,783	S *	5/2011	Liao	D34/15

D638,600	S *	5/2011	Wu	D34/15
D638,601	S *	5/2011	Lin	D34/15
2009/0115168	A1 *	5/2009	Liao	280/651

\* cited by examiner

*Primary Examiner* — Cynthia Ramirez

(74) *Attorney, Agent, or Firm* — Thorpe North & Western LLP

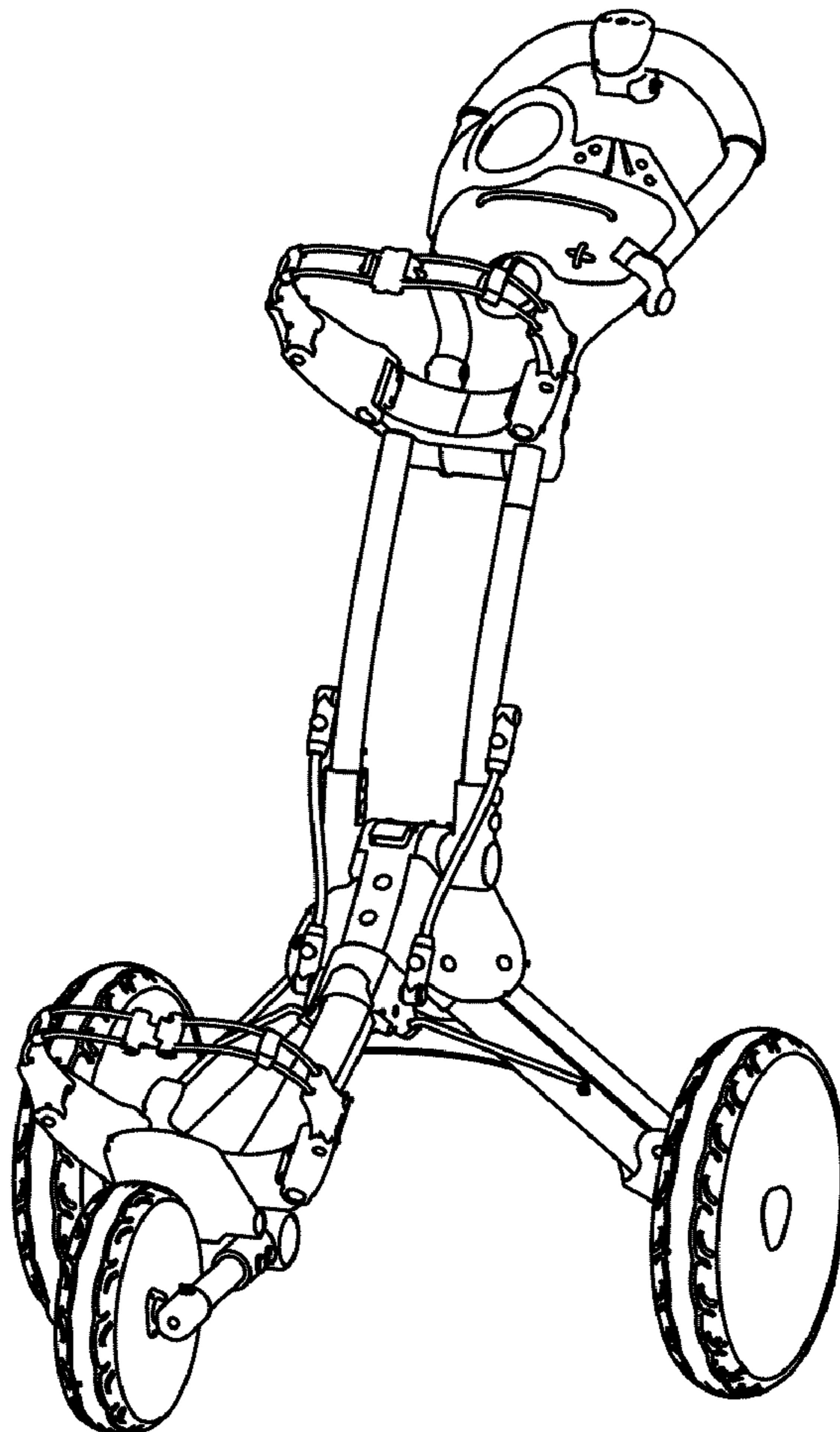
(57) **CLAIM**

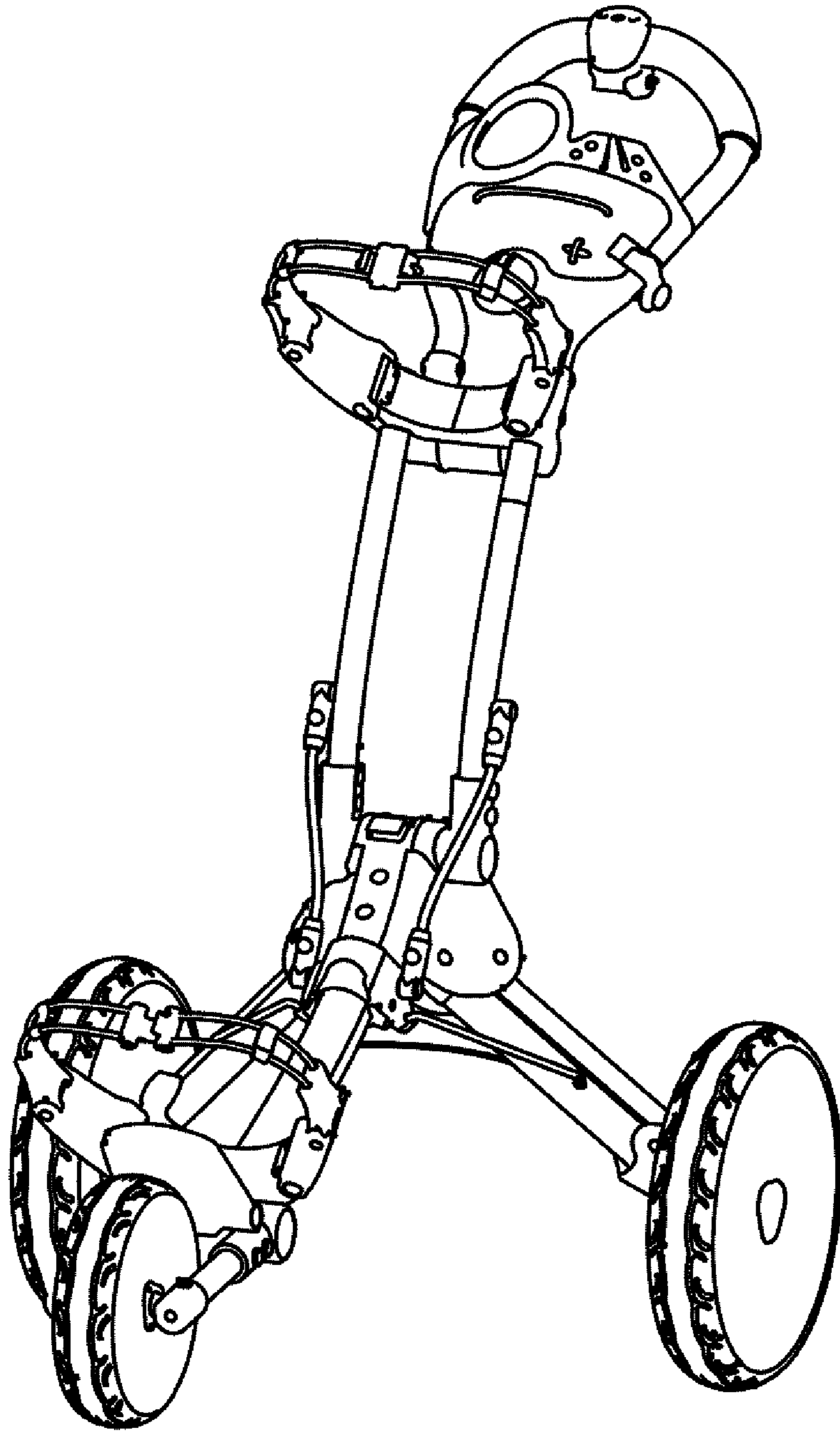
The ornamental design for a golf trolley, as shown.

**DESCRIPTION**

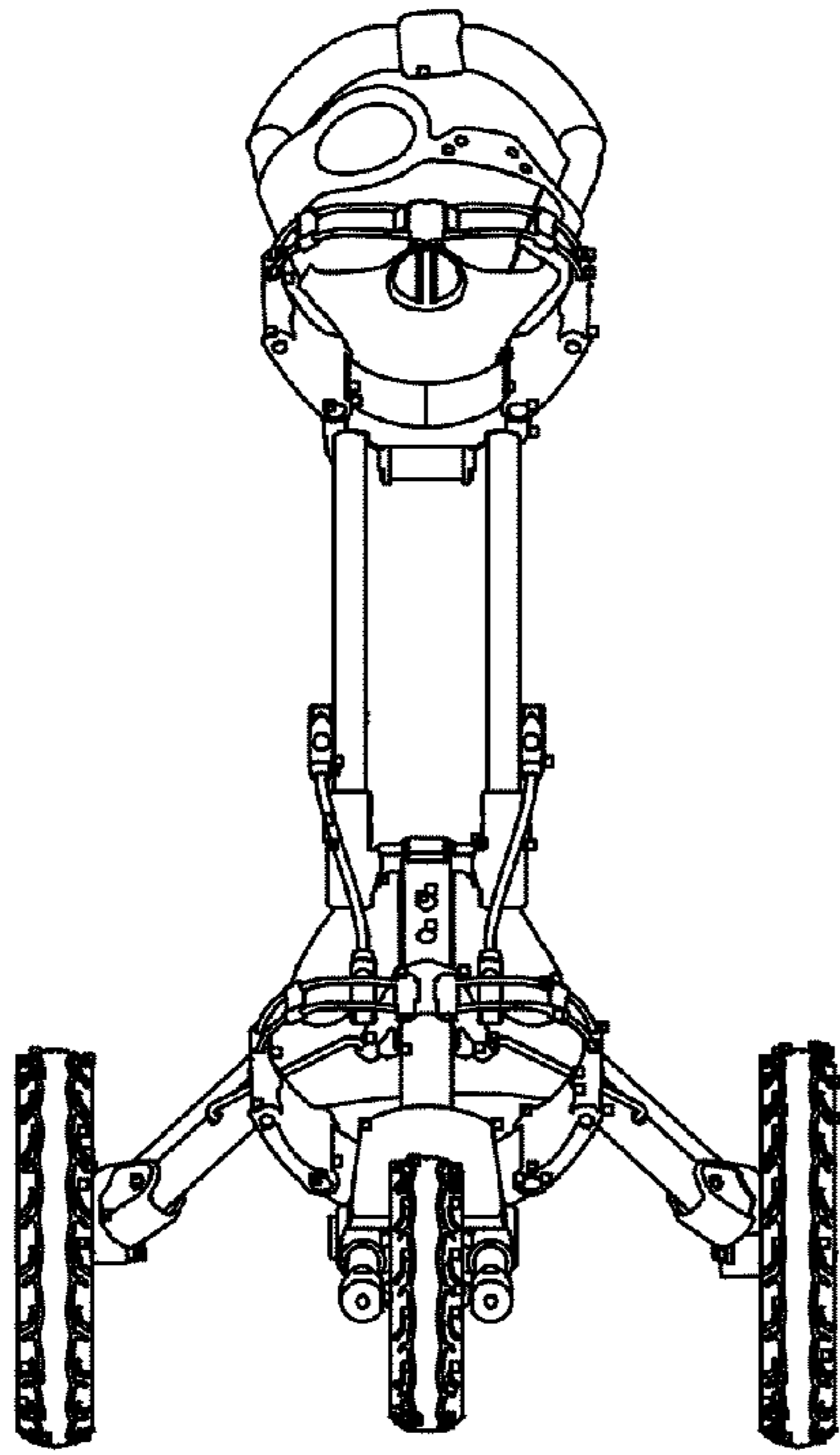
FIG. 1 is a front/right perspective view of my golf trolley in accordance with an embodiment of the present invention; FIG. 2 is a front view thereof; FIG. 3 is a rear view thereof; FIG. 4 is a right side view thereof; FIG. 5 is a left side view thereof; FIG. 6 is a top view thereof; FIG. 7 is a bottom view thereof; and, FIG. 8 is top view of the golf trolley in a folded configuration.

**1 Claim, 5 Drawing Sheets**

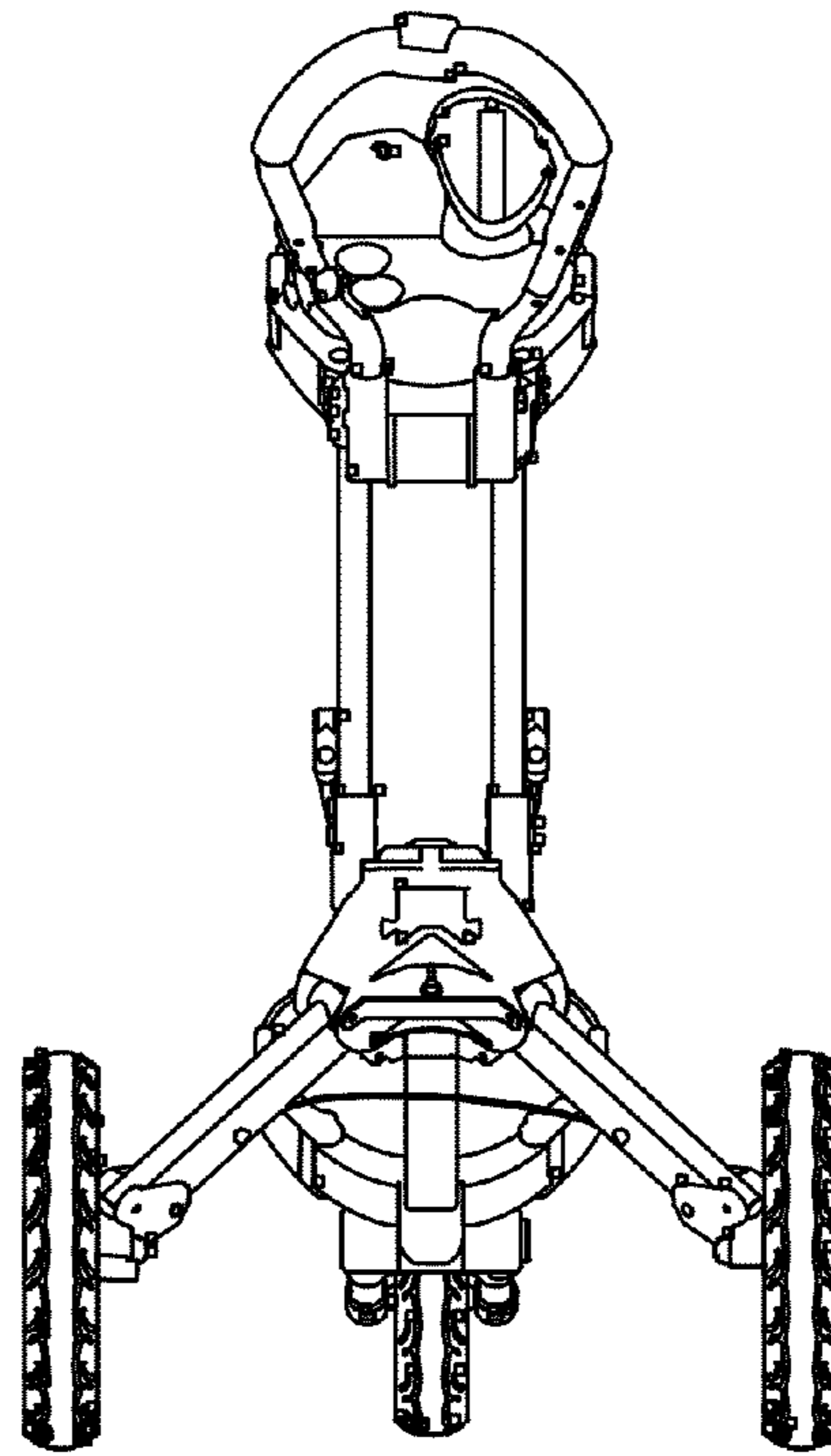




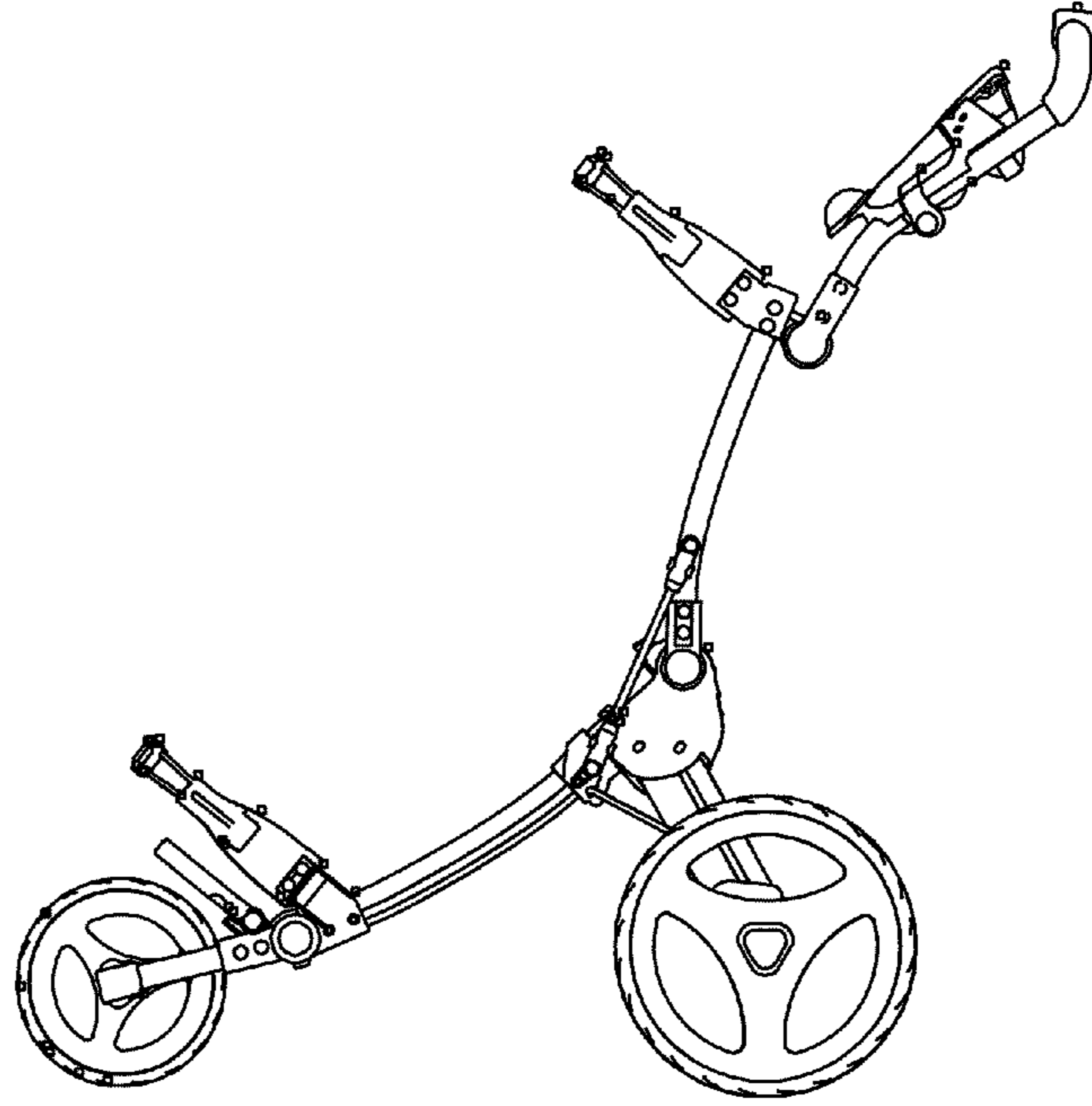
**FIG. 1**



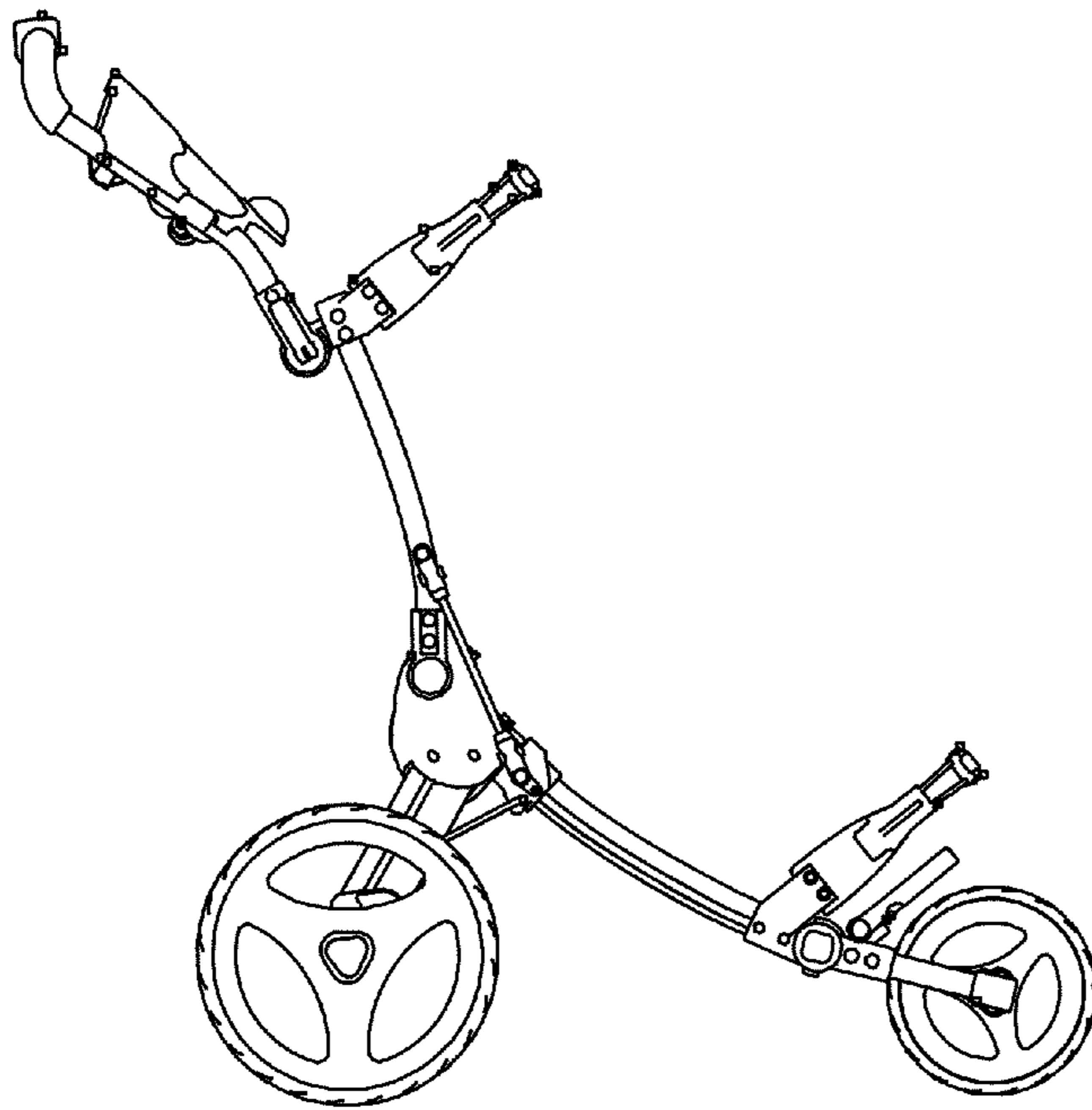
**FIG. 2**



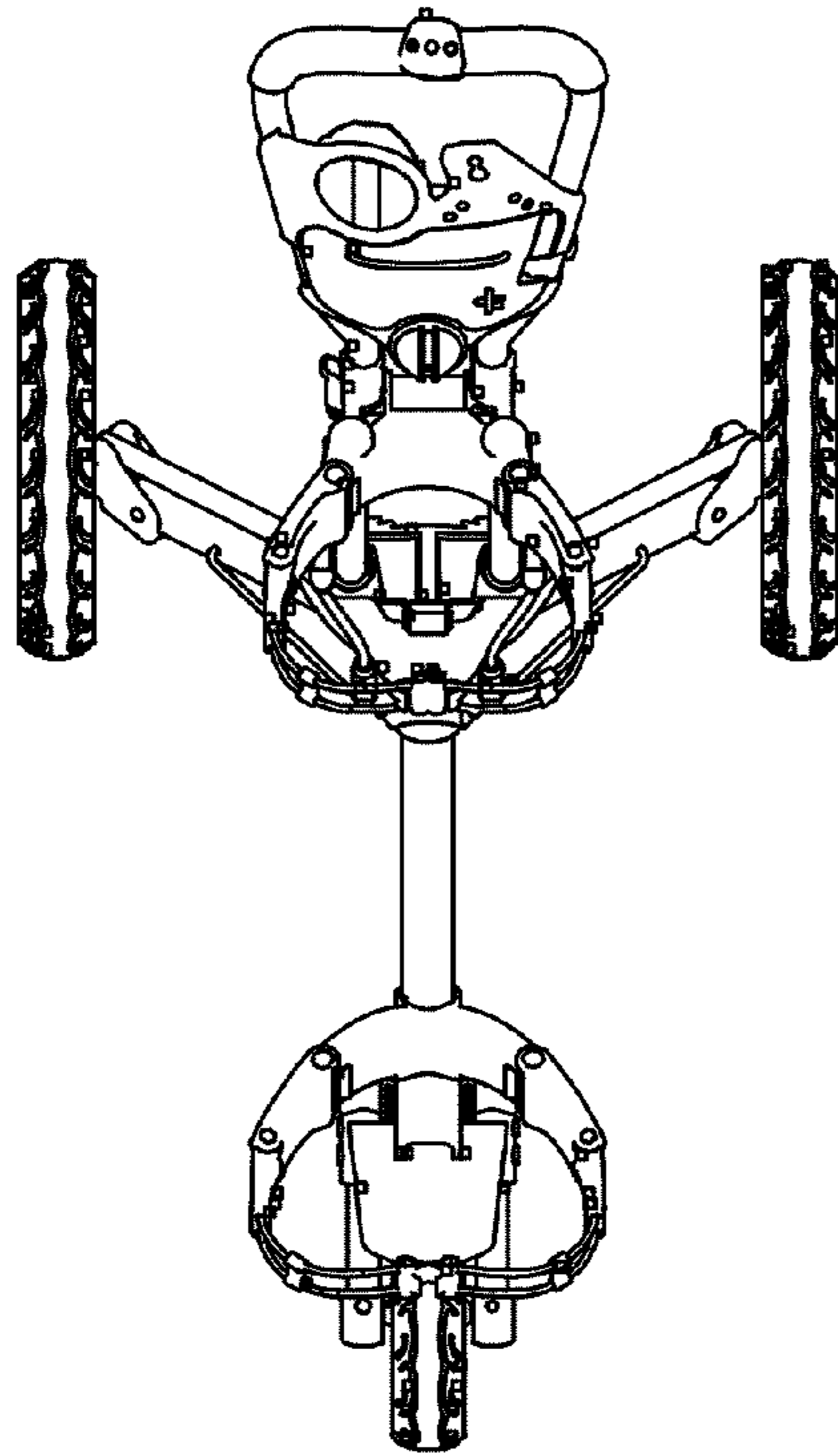
**FIG. 3**



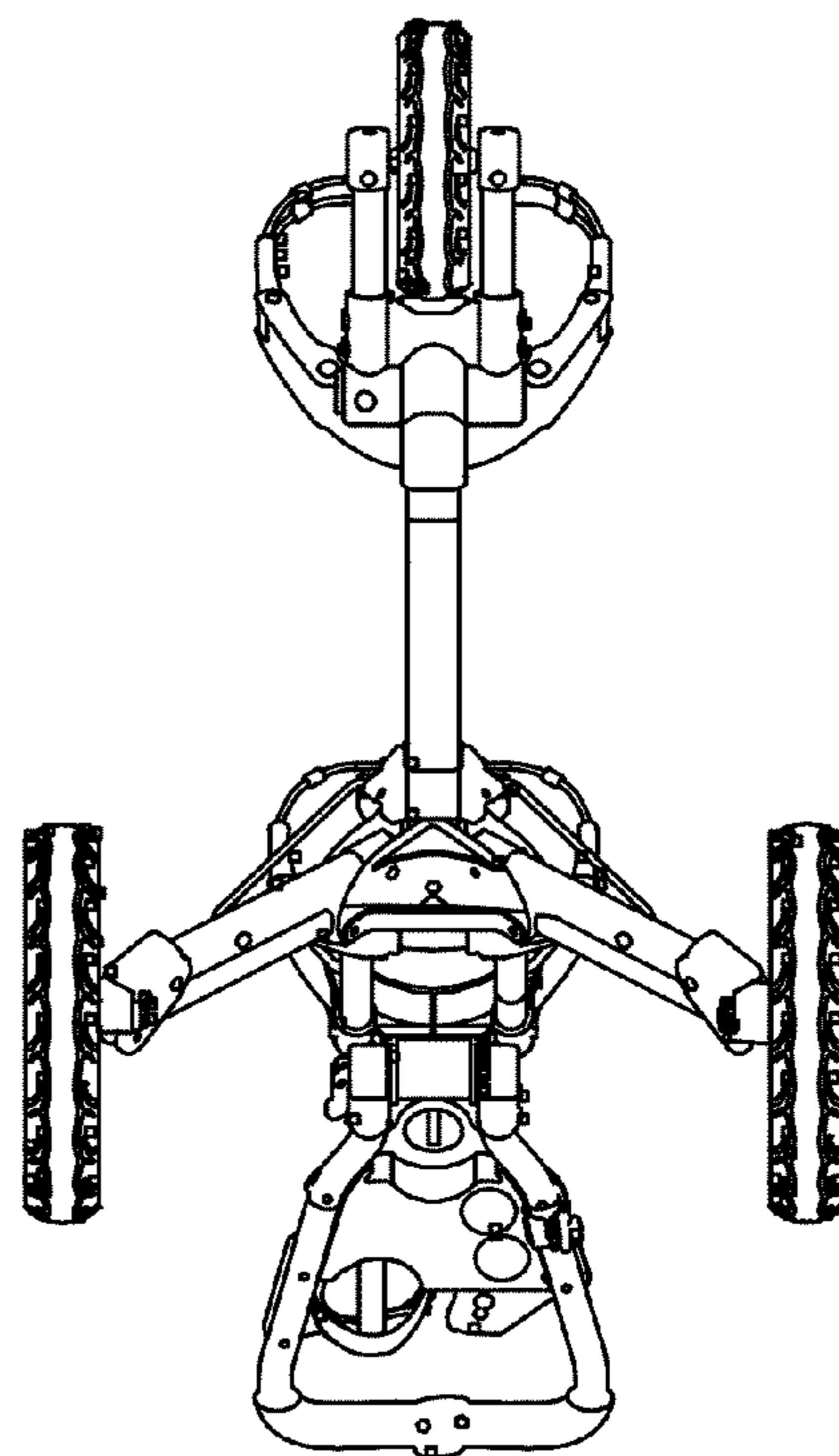
**FIG. 4**



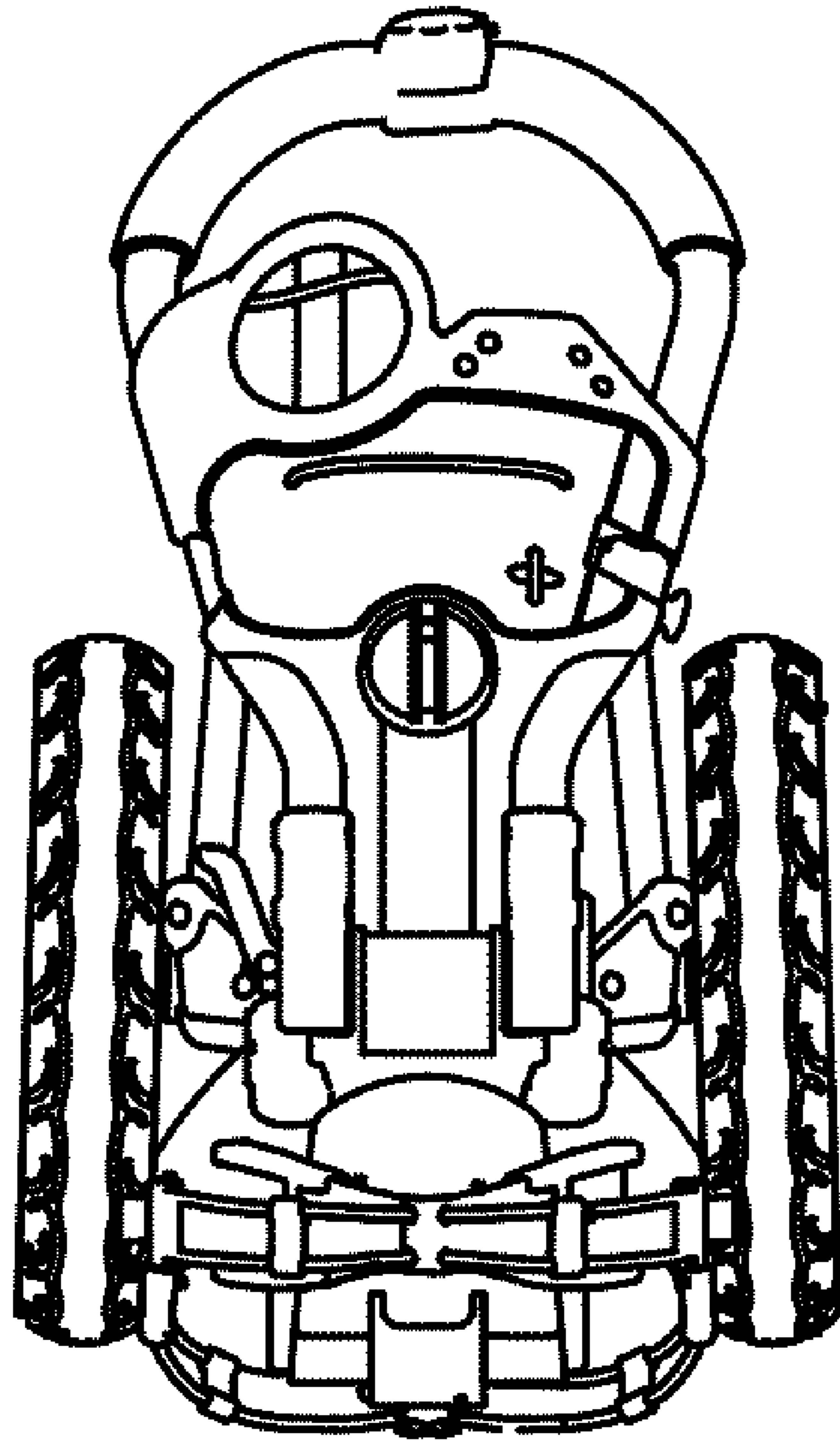
**FIG. 5**



**FIG. 6**



**FIG. 7**



**FIG. 8**