



US00D648912S

(12) **United States Design Patent**
Cantu

(10) **Patent No.:** **US D648,912 S**

(45) **Date of Patent:** **** Nov. 15, 2011**

(54) **BAG HOLDER**

(76) Inventor: **Maria Dolores Cantu**, Brownsville, TX
(US)

(**) Term: **14 Years**

(21) Appl. No.: **29/362,164**

(22) Filed: **May 20, 2010**

(51) **LOC (9) Cl.** **09-09**

(52) **U.S. Cl.** **D34/6**

(58) **Field of Classification Search** D34/1,
D34/5, 6; 220/908-911; 248/95, 97, 100,
248/101, 99

See application file for complete search history.

(56) **References Cited**

U.S. PATENT DOCUMENTS

4,267,997	A *	5/1981	Meier	220/491
4,805,857	A *	2/1989	Travis	248/97
D367,345	S *	2/1996	Swenor	D34/6
D391,722	S *	3/1998	Sheppard	D34/5
6,267,334	B1 *	7/2001	Siu	248/97
D621,117	S *	8/2010	Picard	D34/6

* cited by examiner

Primary Examiner — Cynthia Ramirez

(74) *Attorney, Agent, or Firm* — Scheinberg & Griner, LLP

(57) **CLAIM**

I claim the ornamental design for a bag holder, as shown and described.

DESCRIPTION

FIG. 1 is a front perspective view of a bag holder according to the present design.

FIG. 2 is a front view thereof. The rear view is a mirror image of the front view.

FIG. 3 is a left side view thereof. The right side view is a mirror image of the left side view.

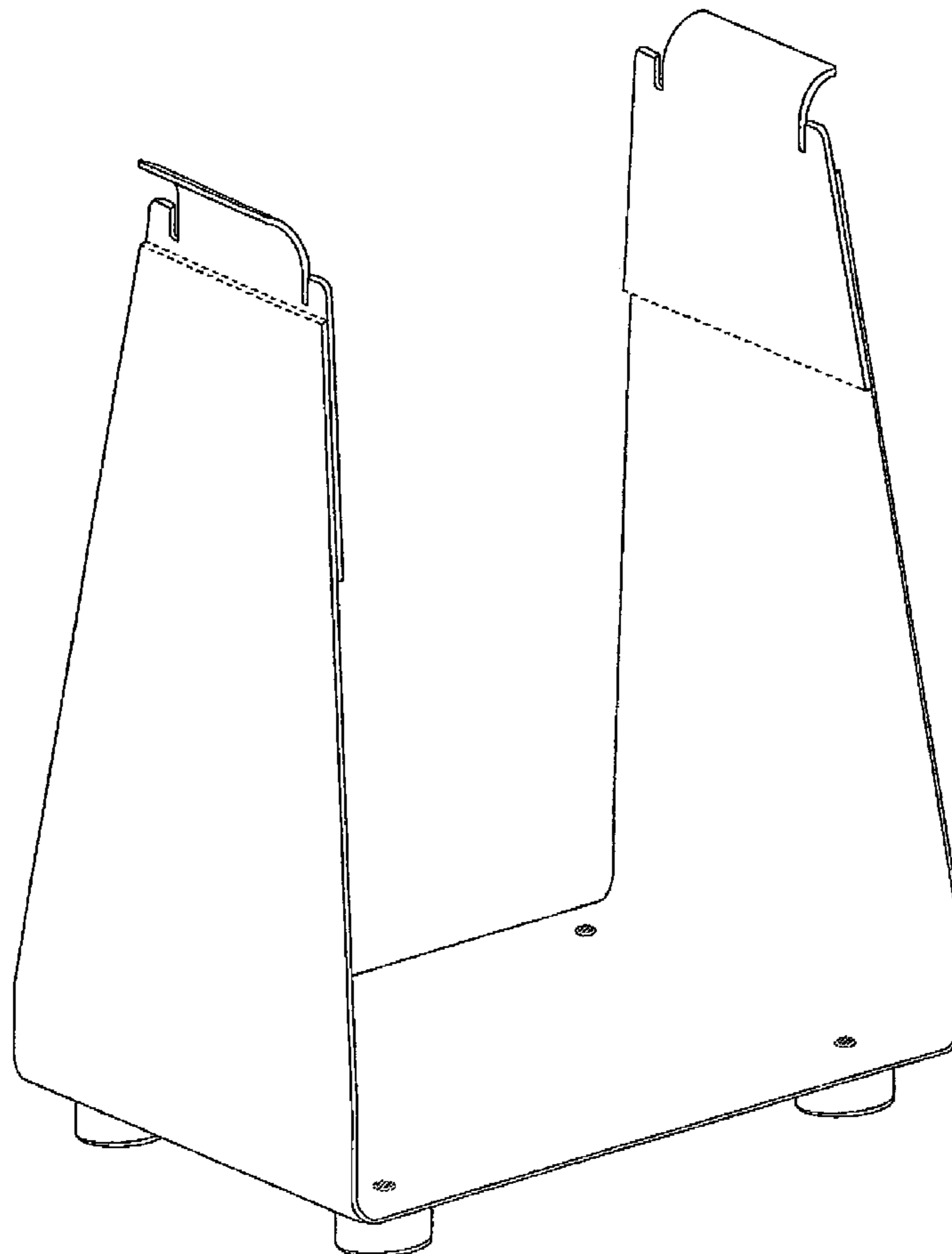
FIG. 4 is a top plan view thereof; and,

FIG. 5 is a bottom view thereof.

The broken lines in FIGS. 1-4 are for illustrative purposes only and form no part of the claimed design.

The article in which the present design is embodied is a bag holder used to hold a plastic bag for use, for example, as a trash receptacle. Common plastic shipping bags can be used with the illustrated bag holder by slipping the handle openings on the shopping bags over the curved upper handle on the top of each side of the bag holder.

1 Claim, 5 Drawing Sheets



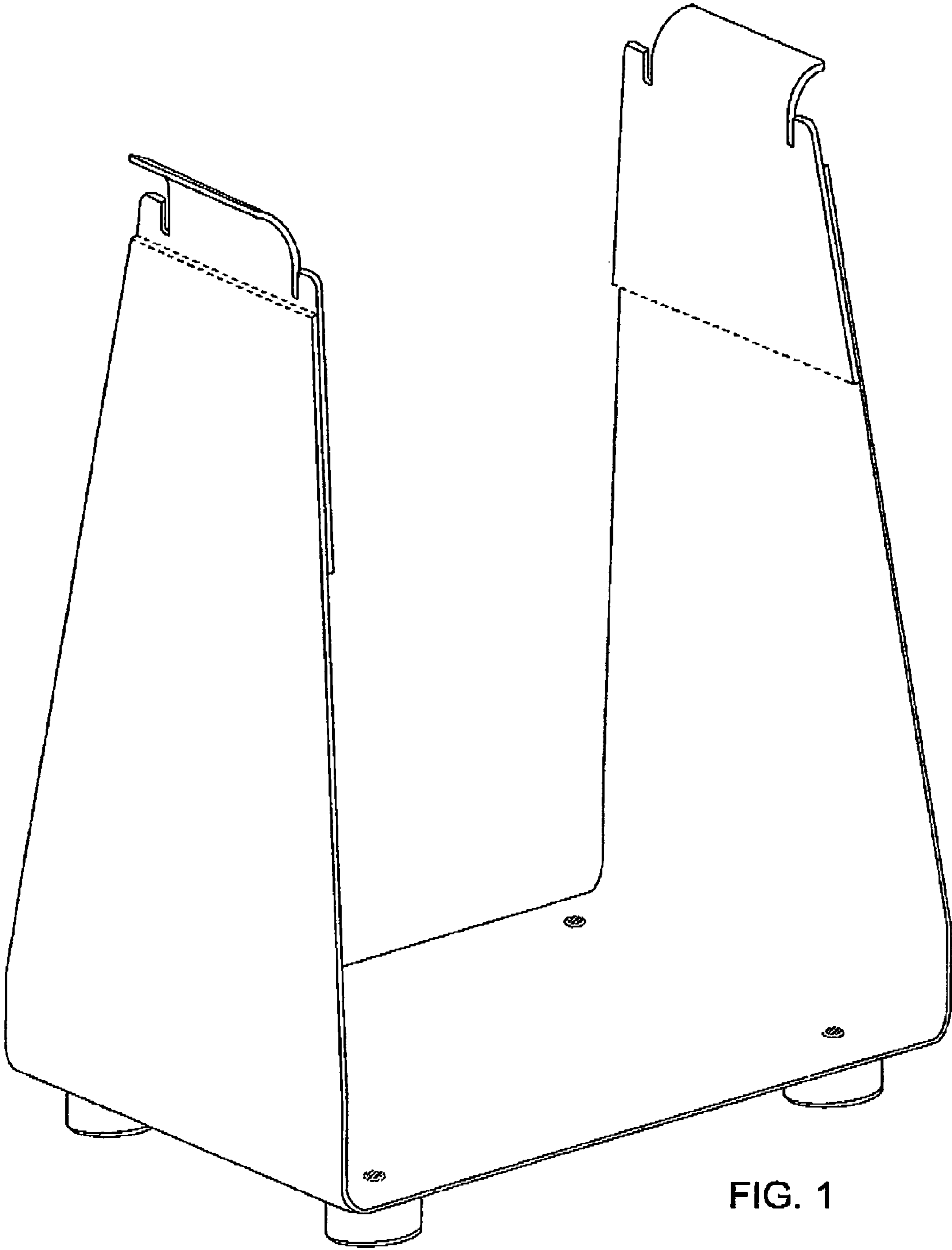


FIG. 1

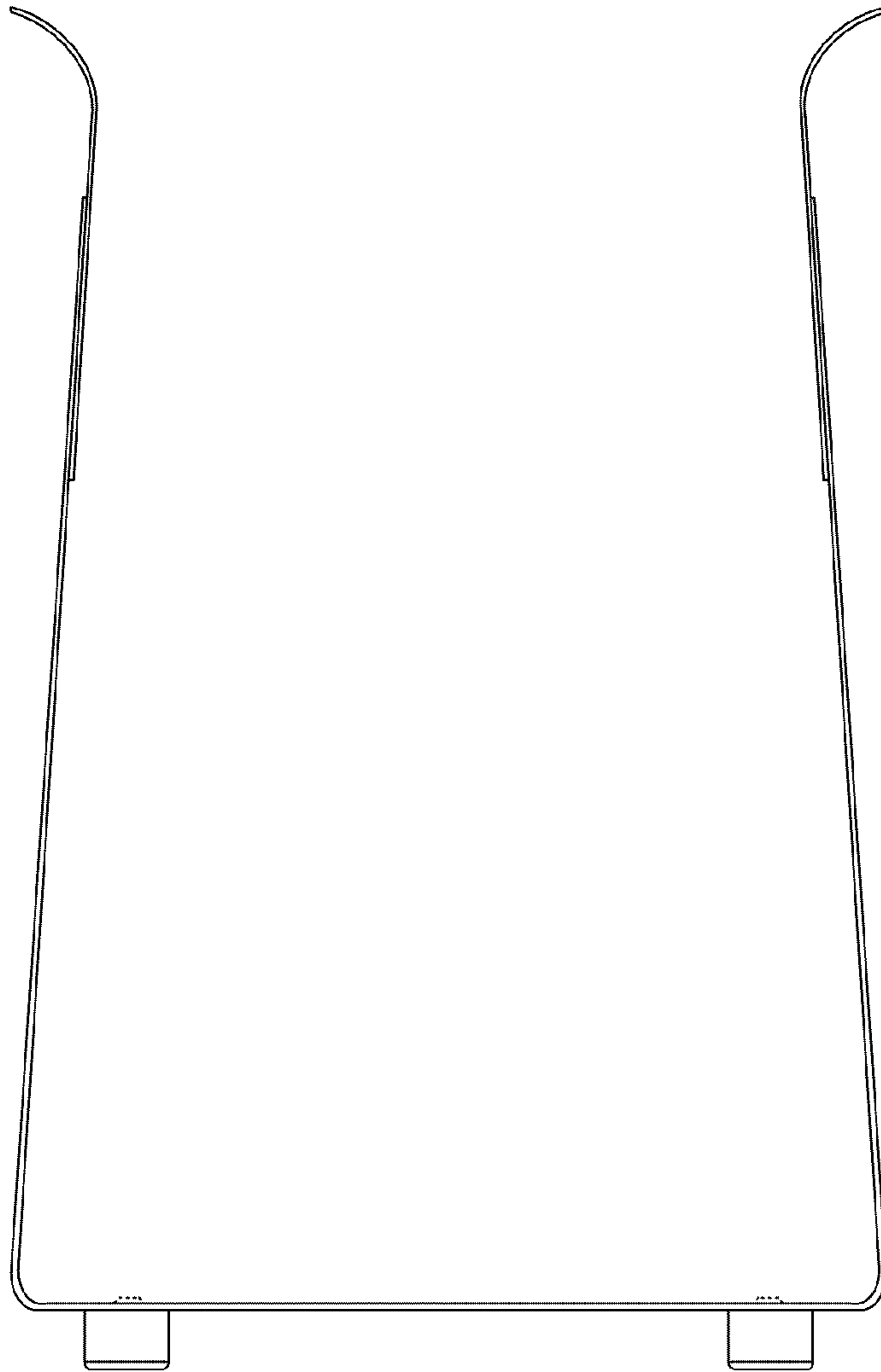


FIG. 2

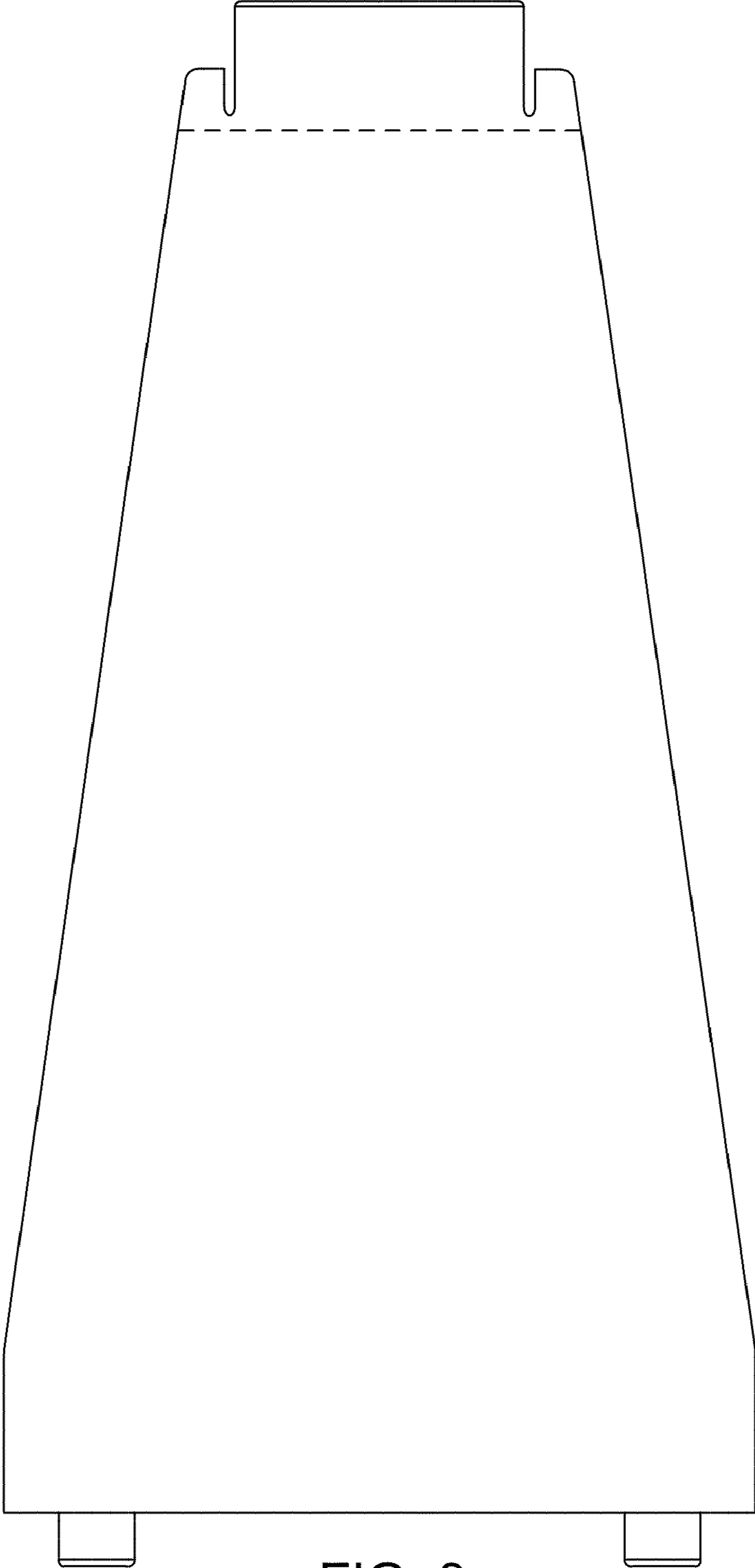


FIG. 3

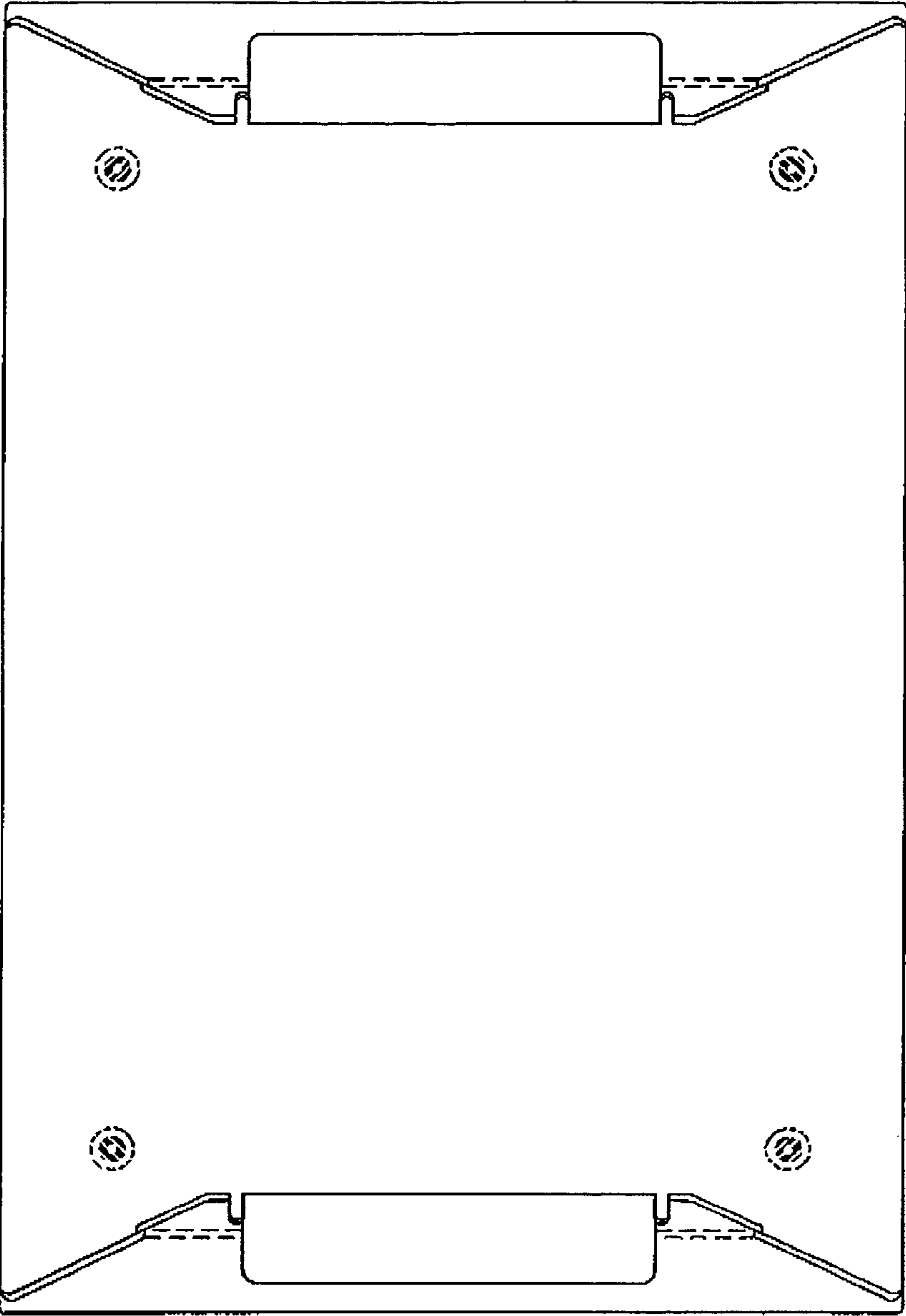


FIG. 4

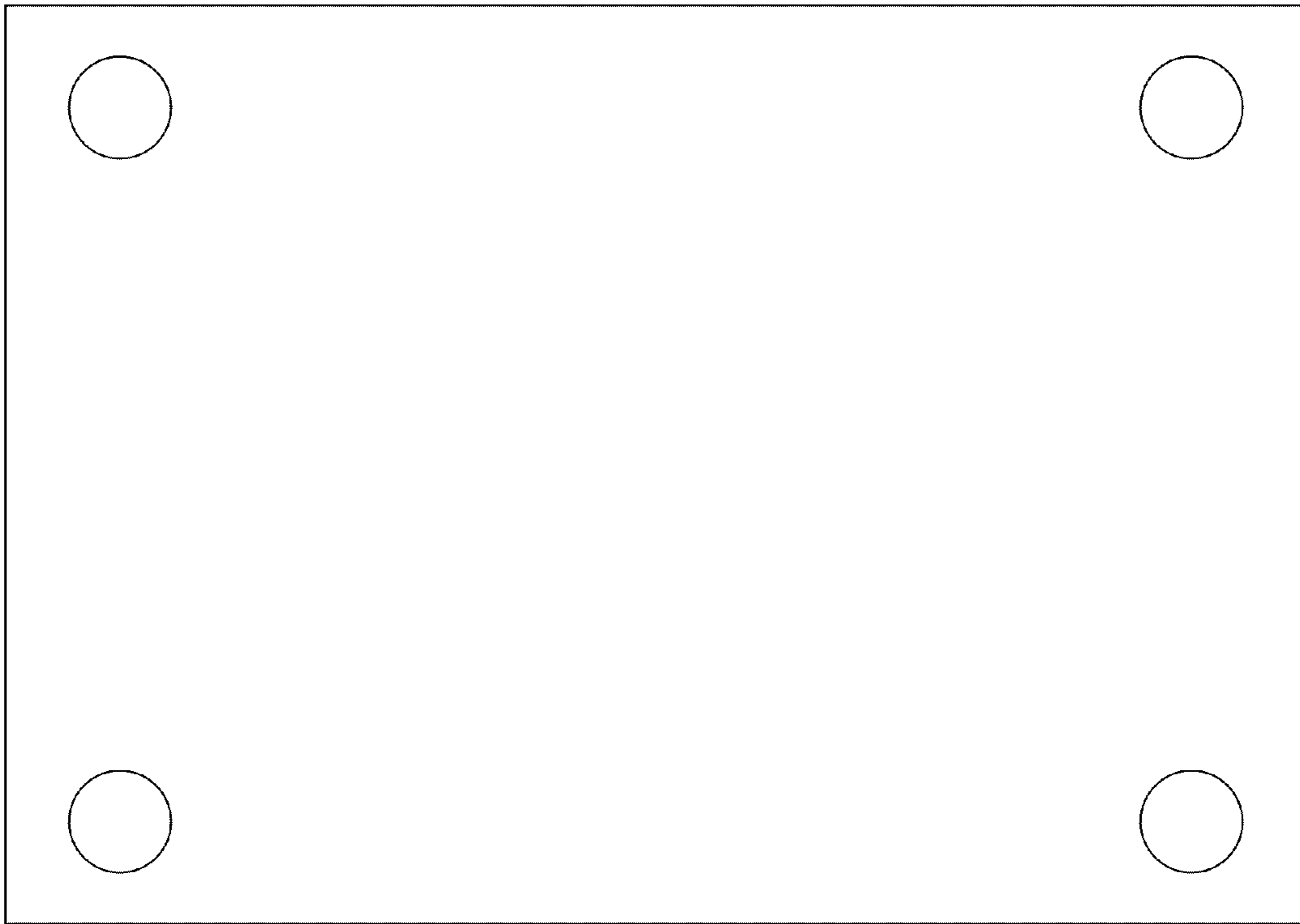


FIG. 5