



US00D648911S

(12) **United States Design Patent**
Brown et al.

(10) **Patent No.:** **US D648,911 S**

(45) **Date of Patent:** **** Nov. 15, 2011**

(54) **QSR SCRUBBING PAD**

(75) Inventors: **Michael Brown**, Stokesdale, NC (US);
Thomas P. Berg, Greensboro, NC (US)

(73) Assignee: **Ecolab USA Inc.**, St. Paul, MN (US)

(**) Term: **14 Years**

(21) Appl. No.: **29/381,752**

(22) Filed: **Dec. 22, 2010**

(51) **LOC (9) Cl.** **04-01**

(52) **U.S. Cl.** **D32/40**

(58) **Field of Classification Search** D23/40-42;
D5/58-60; 15/244.1-244.4, 208, 209.1,
15/228, 229.3, 229.8

See application file for complete search history.

(56) **References Cited**

U.S. PATENT DOCUMENTS

3,134,124	A *	5/1964	Horn	15/244.1
D391,710	S *	3/1998	Hanaoka	D32/40
D391,711	S *	3/1998	Hanaoka et al.	D32/40
5,887,310	A *	3/1999	Wright	15/209.1
D418,954	S *	1/2000	Ferdenzi	D32/35
6,047,435	A *	4/2000	Suzuki et al.	15/229.8
D496,511	S *	9/2004	Colburn et al.	D32/45
D511,872	S *	11/2005	Vitantonio et al.	D32/40
6,981,293	B2 *	1/2006	Steinberg	15/210.1
7,076,826	B2 *	7/2006	Hochanadel	15/209.1

7,571,510 B2 * 8/2009 Yamada 15/229.1
* cited by examiner

Primary Examiner — Robin V Webster

(74) *Attorney, Agent, or Firm* — McKee, Voorhees & Sease,
P.L.C.

(57) **CLAIM**

We claim the ornamental design for a QSR scrubbing pad,
substantially as shown.

DESCRIPTION

FIG. 1 is a top angled view of the scrubbing pad from the
narrow end.

FIG. 2 is a top angled view of the scrubbing pad from the wide
end, an opening for inserting a cleaning tool device is shown.

FIG. 3 is a top plane view of the scrubbing pad.

FIG. 4 is a side view of the scrubbing pad.

FIG. 5 is a wide end view of the scrubbing pad with the
opening closed.

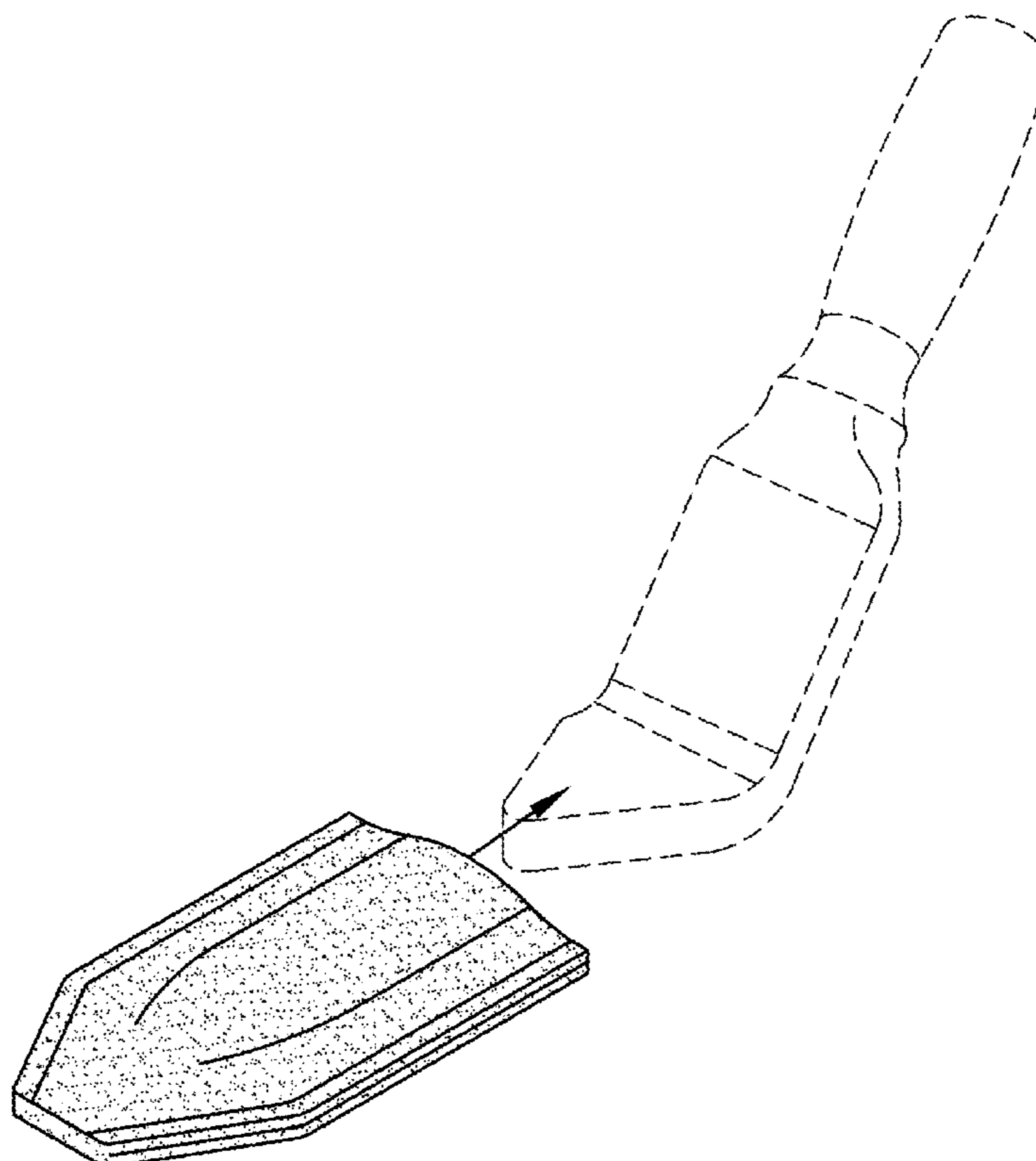
FIG. 6 is a wide end view of the scrubbing pad with the wide
end opened for receiving a cleaning apparatus.

FIG. 7 shows the scrubbing pad to be inserted onto a cleaning
device; and,

FIG. 8 shows the pad on the cleaning device.

The broken line showing of a cleaning device in FIGS. 7 and
8 is included for the purpose of illustrating and forms no part
of the claimed design.

1 Claim, 3 Drawing Sheets



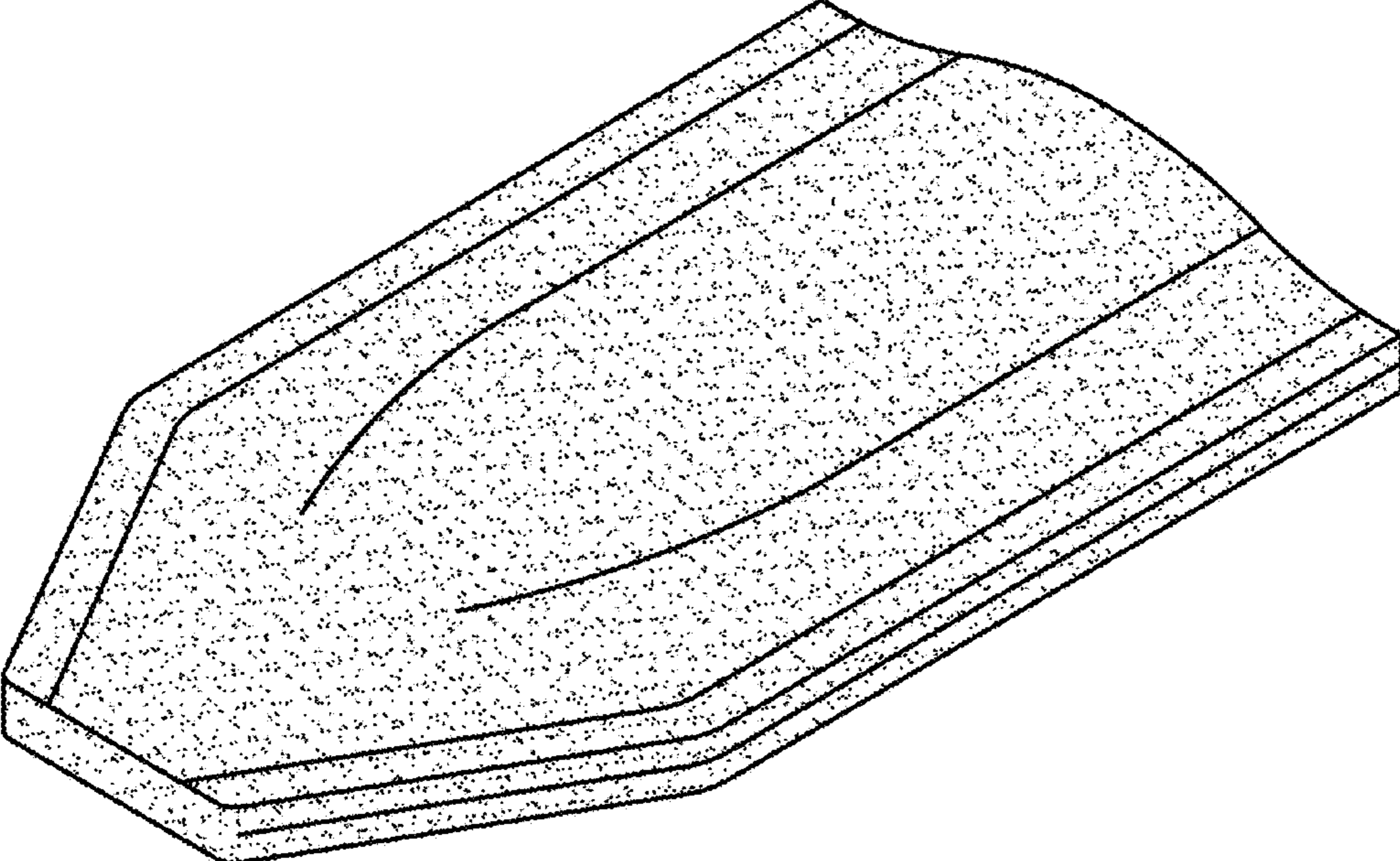


FIG. 1

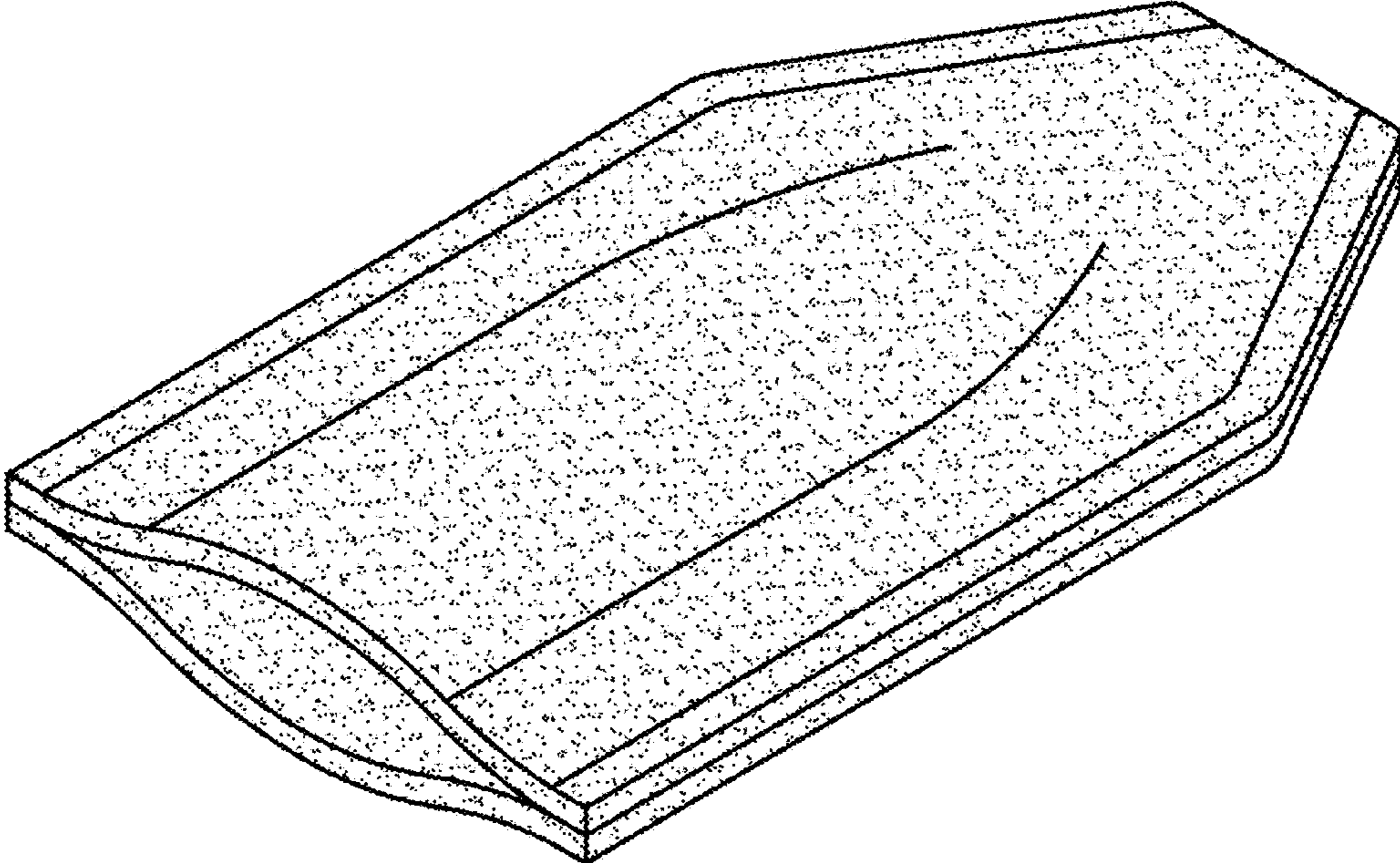


FIG. 2

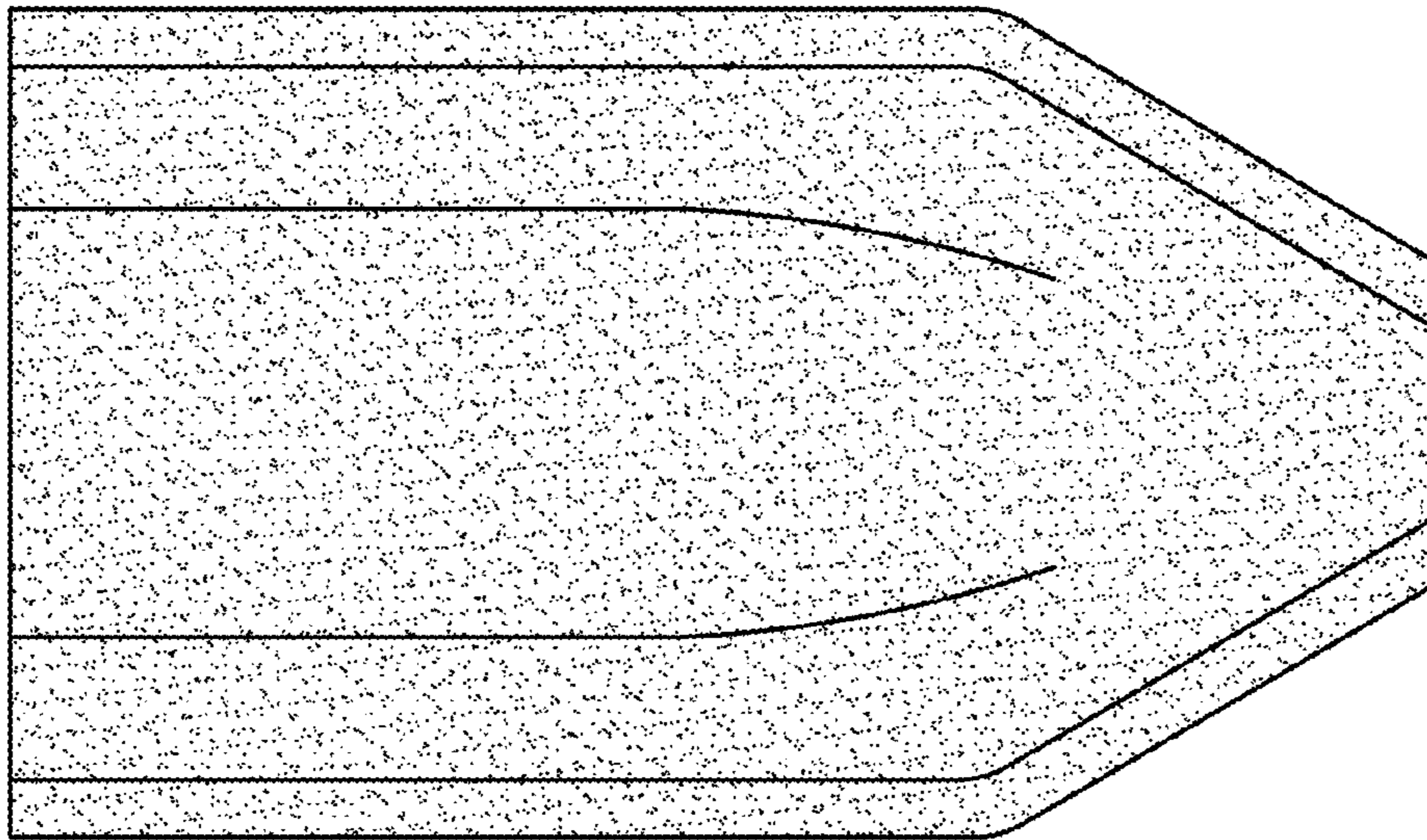


FIG. 3

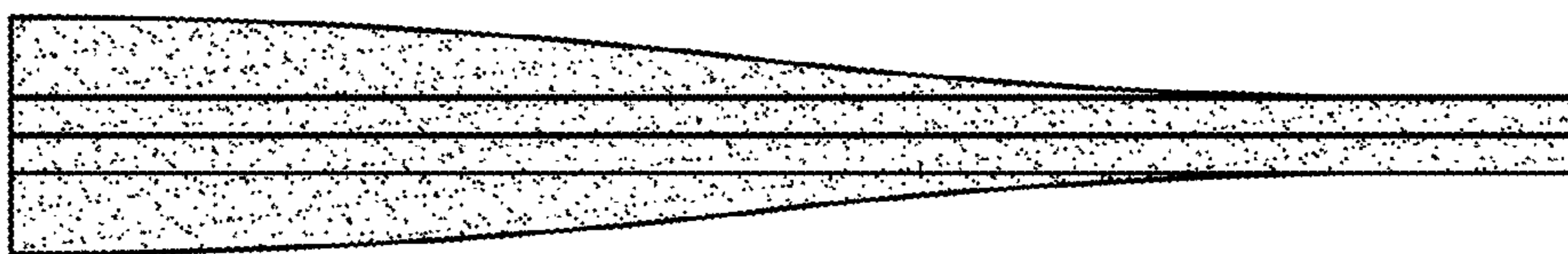


FIG. 4

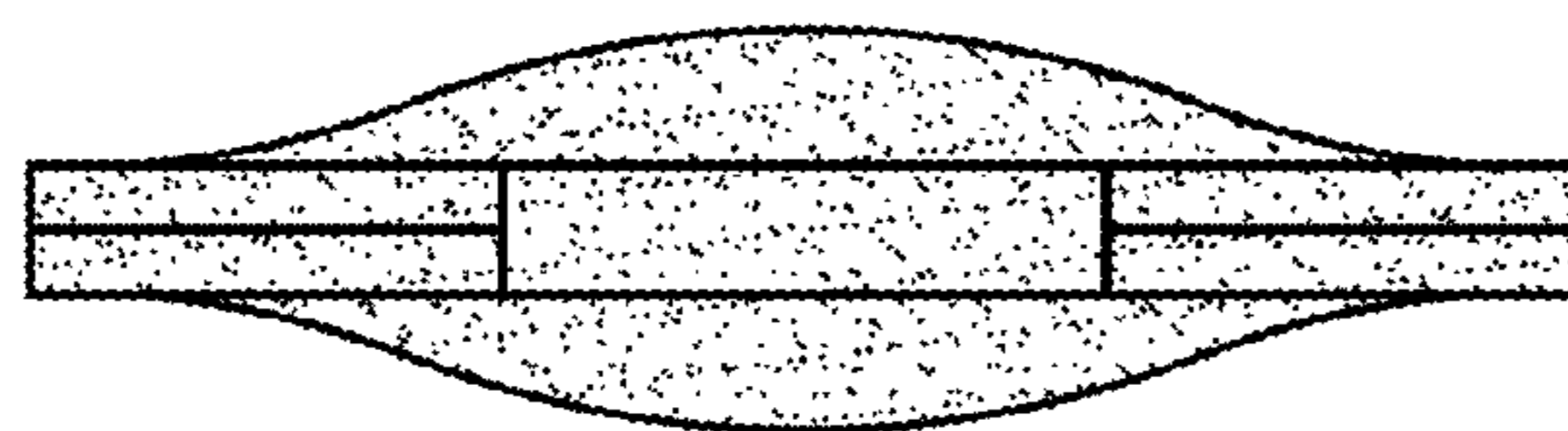


FIG. 5

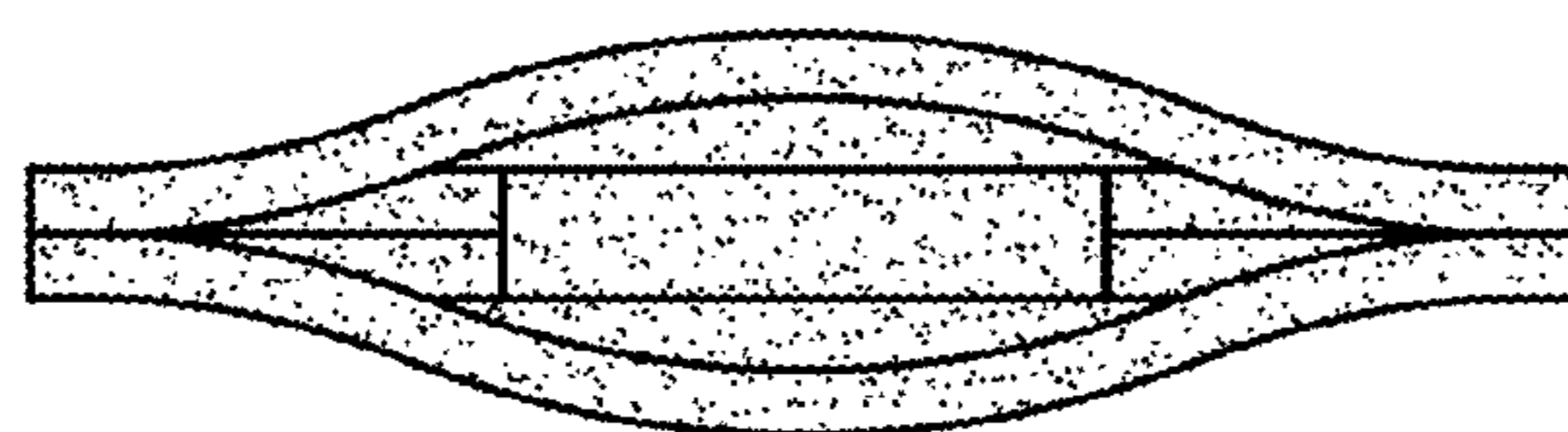


FIG. 6

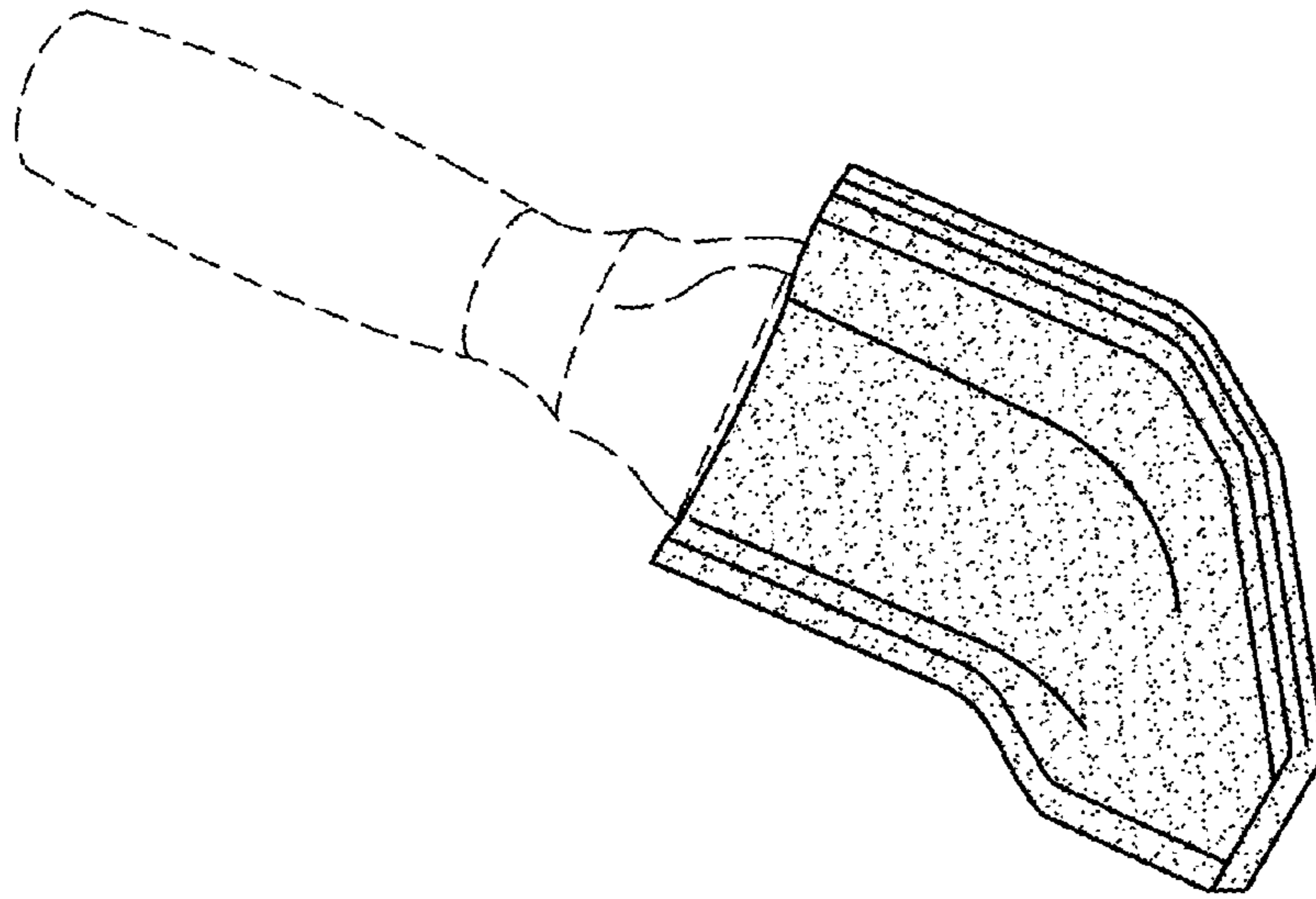


FIG. 8

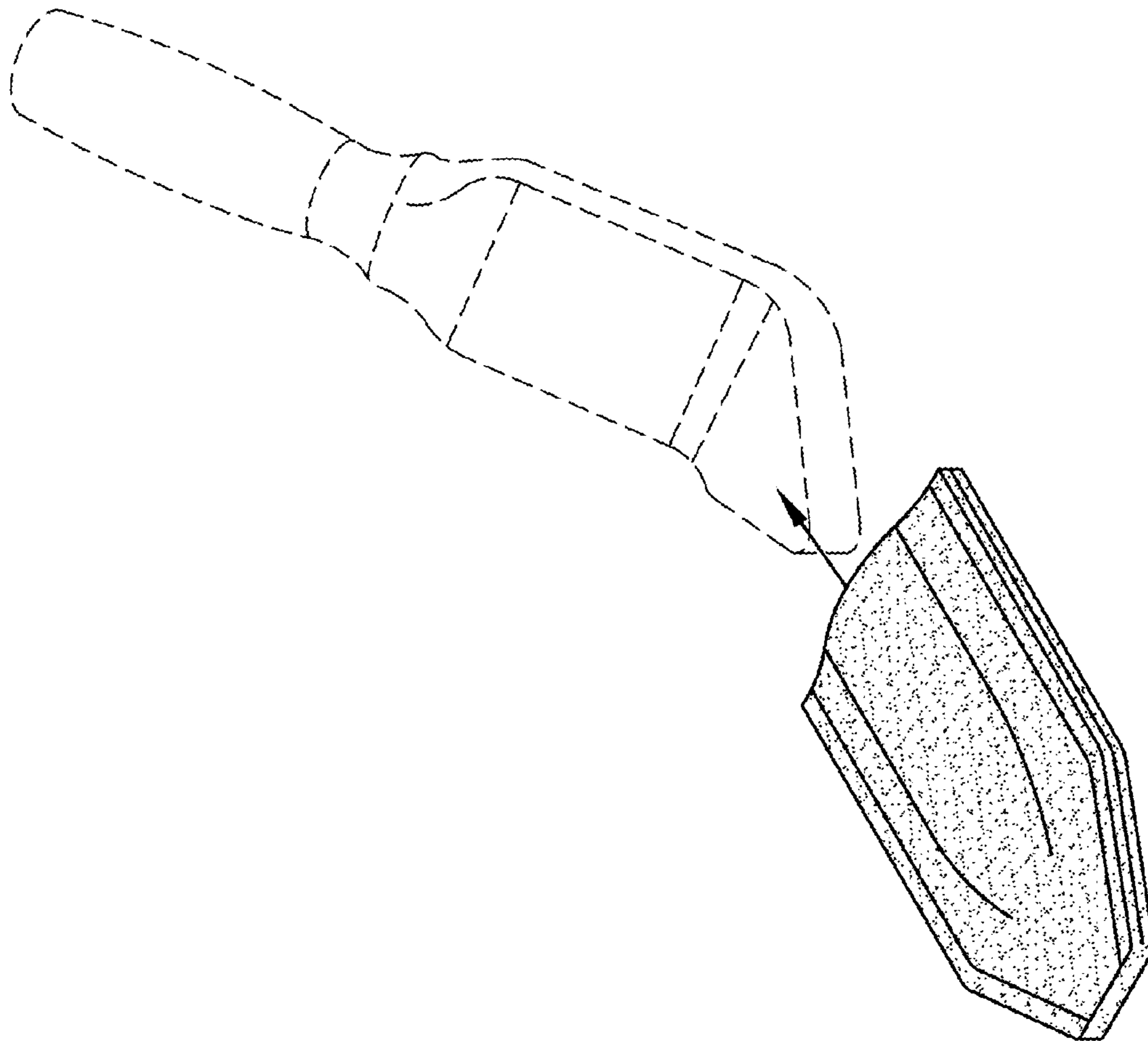


FIG. 7