



US00D648910S

(12) **United States Design Patent**
Raven et al.

(10) **Patent No.:** **US D648,910 S**

(45) **Date of Patent:** **** Nov. 15, 2011**

(54) **SWEEPER FOOT**

(75) Inventors: **Meghan M. Raven**, Grand Rapids, MI (US); **Douglas J. Medema**, Belding, MI (US); **Jose Carlito Santiago**, Grand Rapids, MI (US)

(73) Assignee: **BISSELL Homecare, Inc.**, Grand Rapids, MI (US)

(**) Term: **14 Years**

(21) Appl. No.: **29/356,089**

(22) Filed: **Feb. 19, 2010**

(51) **LOC (9) Cl.** **15-05**

(52) **U.S. Cl.** **D32/39; D32/33**

(58) **Field of Classification Search** D32/50, D32/17, 31-33, 22, 51, 38-40, 45, 25, 49; 15/182, 179, 168, 228, 319, 403, 209.1, 52, 15/1, 246.3, 320-322, 415.1-422.1, 414, 15/412, 354, 362, 366, 374, 400, 327.1, 329, 15/41.1, 42, 48, 171, 176.1, 159.1, 339, 208, 15/372, 385, 115, 106; 401/138-139; 68/222; 134/198, 105

See application file for complete search history.

(56) **References Cited**

U.S. PATENT DOCUMENTS

D263,236 S *	3/1982	Ueda	D32/32
D418,267 S *	12/1999	Lin	D32/32
D440,019 S *	4/2001	Mehaffey et al.	D32/32
D456,965 S *	5/2002	Paterson et al.	D32/32
D456,966 S *	5/2002	Paterson et al.	D32/32

D473,687 S *	4/2003	Kaffenberger	D32/33
D495,106 S *	8/2004	Leyden et al.	D32/32
D499,850 S *	12/2004	Leyden	D32/32
D501,283 S *	1/2005	Carr et al.	D32/38
D524,498 S *	7/2006	Luebbering et al.	D32/32
D536,495 S *	2/2007	Porter et al.	D32/32
D537,220 S *	2/2007	Porter et al.	D32/32
D549,906 S *	8/2007	Rosenzweig	D32/38
7,356,876 B2 *	4/2008	Dant et al.	15/414
D575,467 S *	8/2008	Paredes et al.	D32/32
D594,612 S *	6/2009	Umeda	D32/32
7,665,172 B1 *	2/2010	Tran et al.	15/41.1
D618,873 S *	6/2010	Ayers	D32/33
2002/0038489 A1 *	4/2002	Paterson et al.	15/339
2005/0022338 A1 *	2/2005	Muhlenkamp	15/414
2006/0021188 A1 *	2/2006	Lee	15/419
2008/0289141 A1 *	11/2008	Oh et al.	15/354

* cited by examiner

Primary Examiner — Ruth McInroy

(74) *Attorney, Agent, or Firm* — McGarry Bair PC

(57) **CLAIM**

The ornamental design for a sweeper foot, as shown and described.

DESCRIPTION

FIG. 1 is a front perspective view of a sweeper foot which embodies our design;

FIG. 2 is a front view thereof;

FIG. 3 is a rear view thereof;

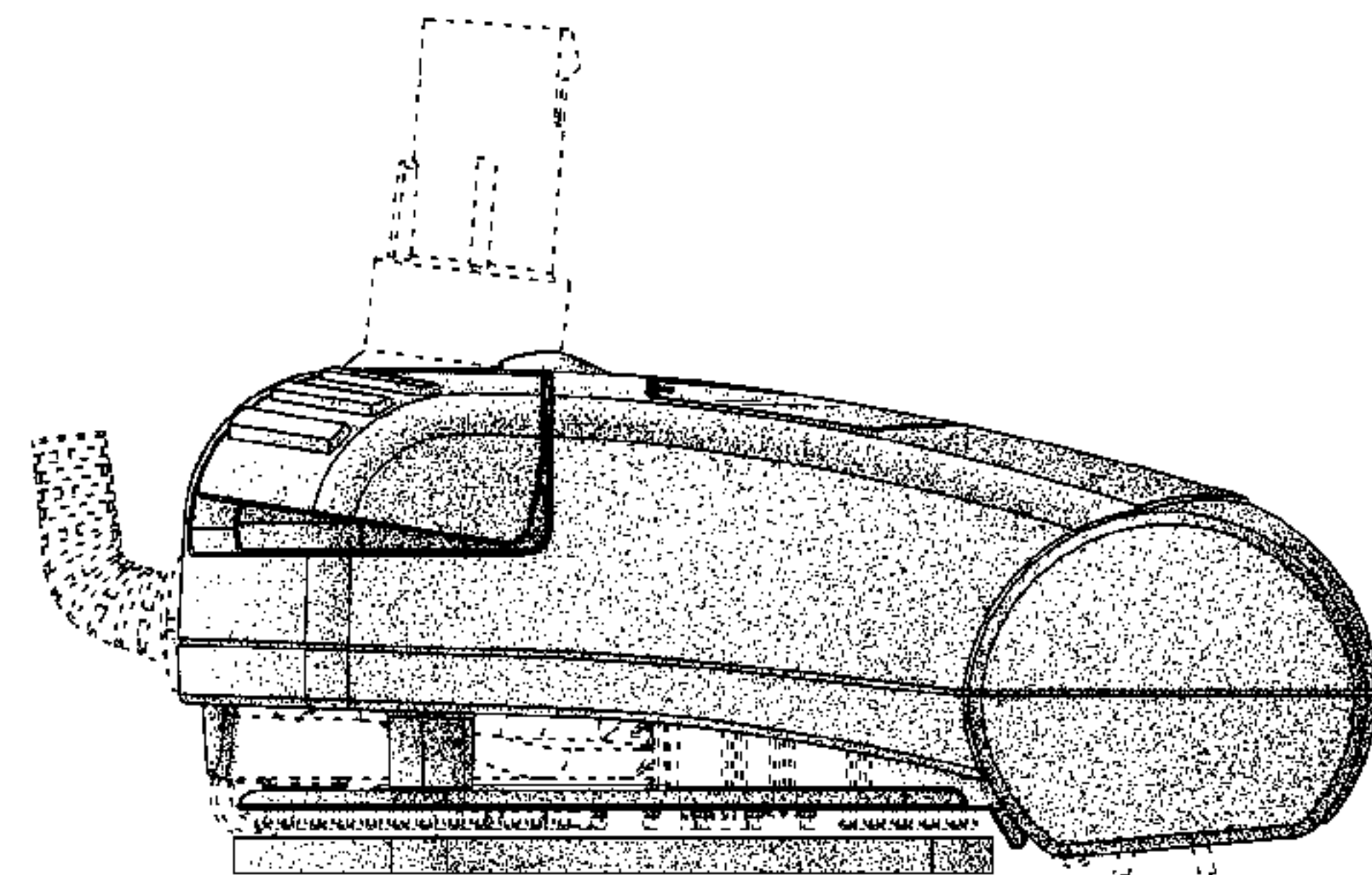
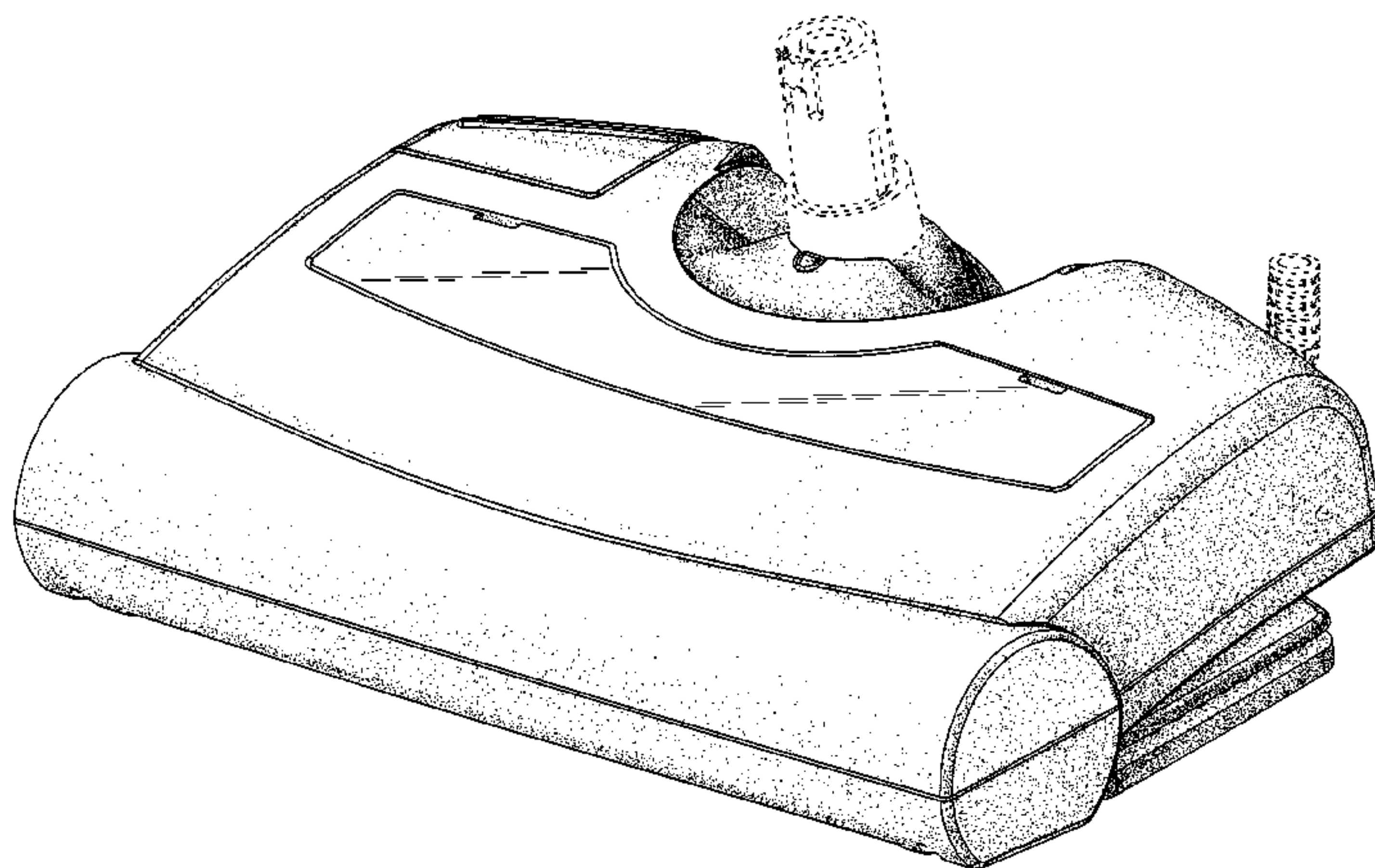
FIG. 4 is a left side view thereof;

FIG. 5 is a right side view thereof; and,

FIG. 6 is a top view thereof.

The material in dotted lines forms no part of our design.

1 Claim, 4 Drawing Sheets



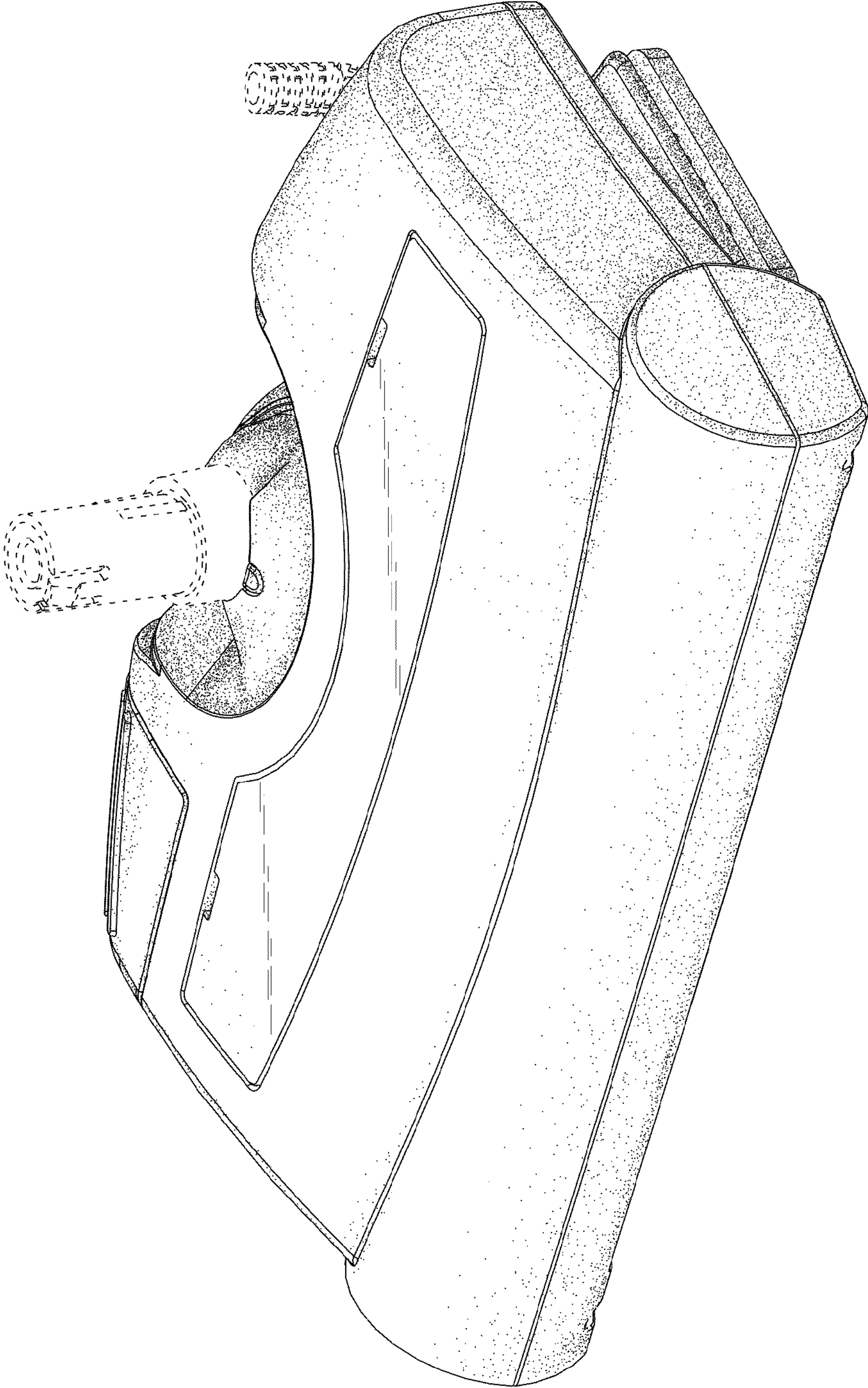


Fig. 1

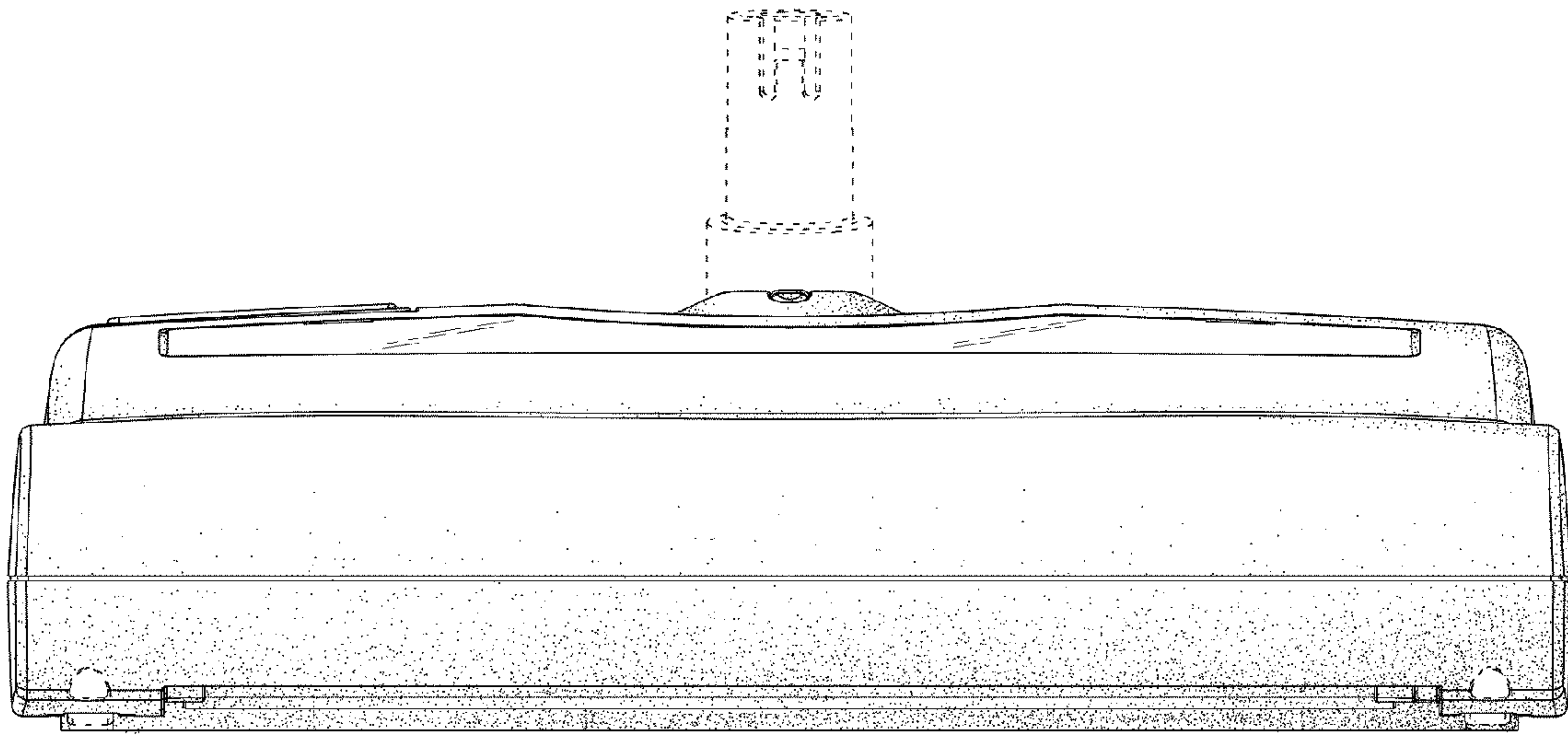


Fig. 2

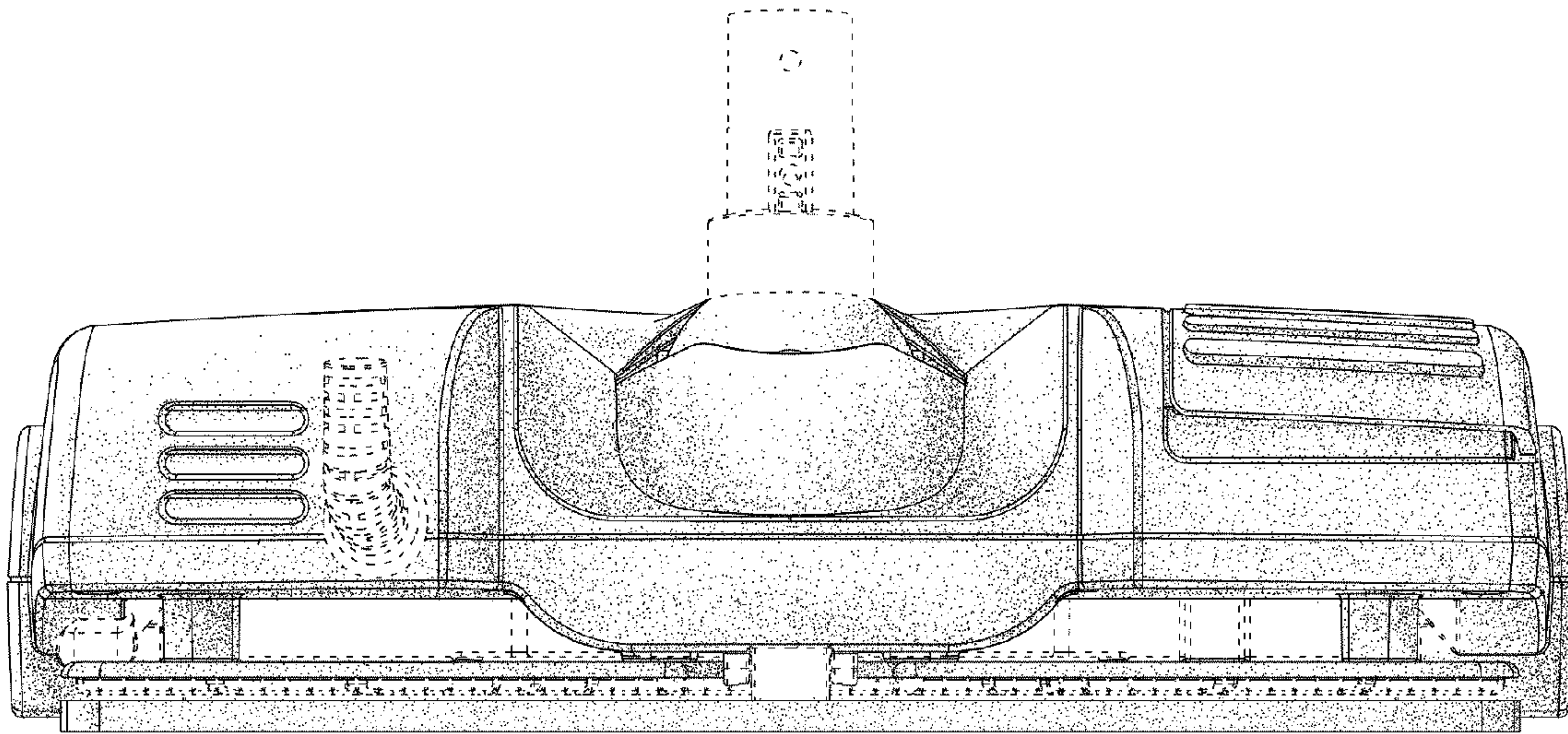


Fig. 3

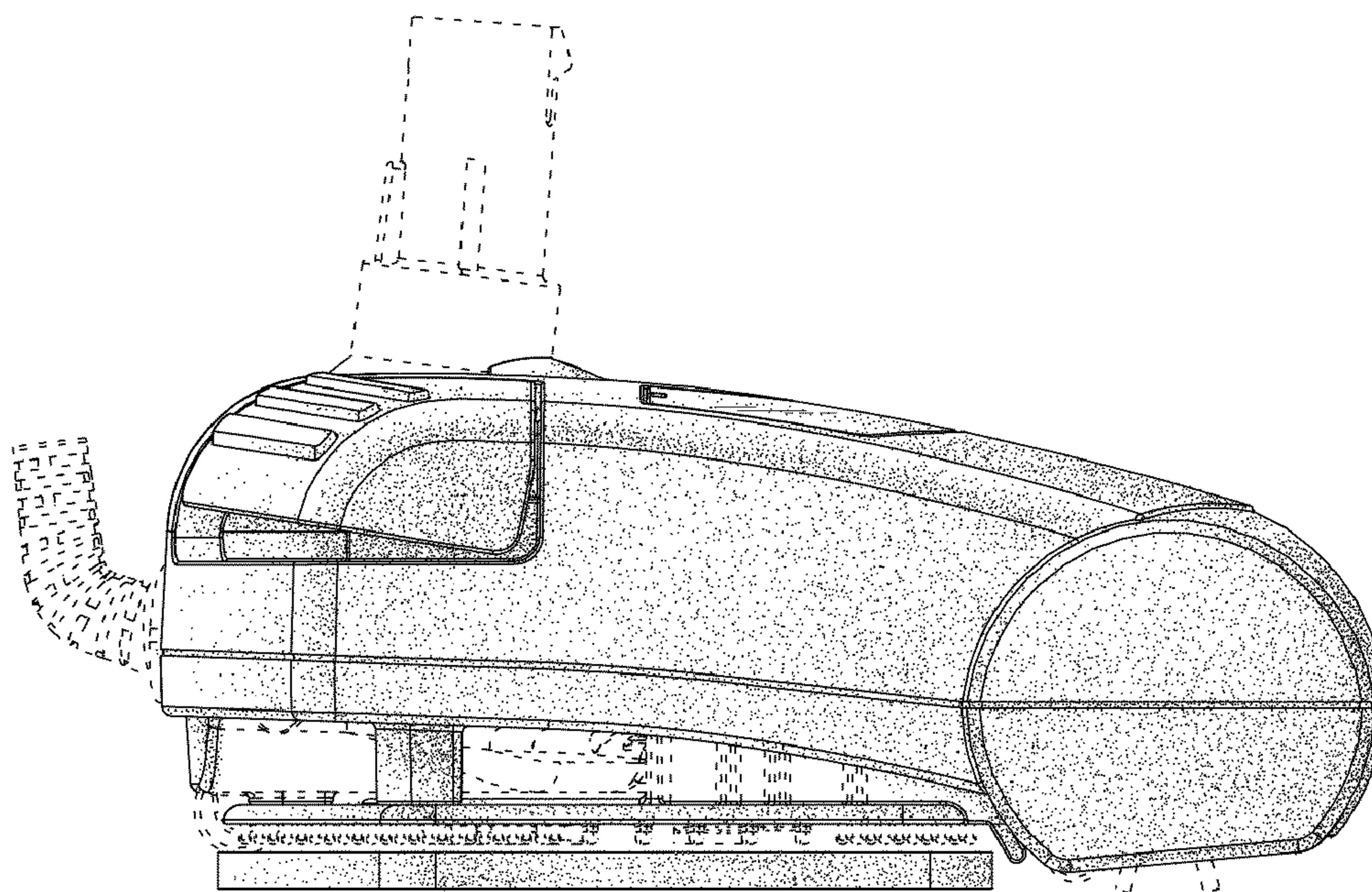


Fig. 4

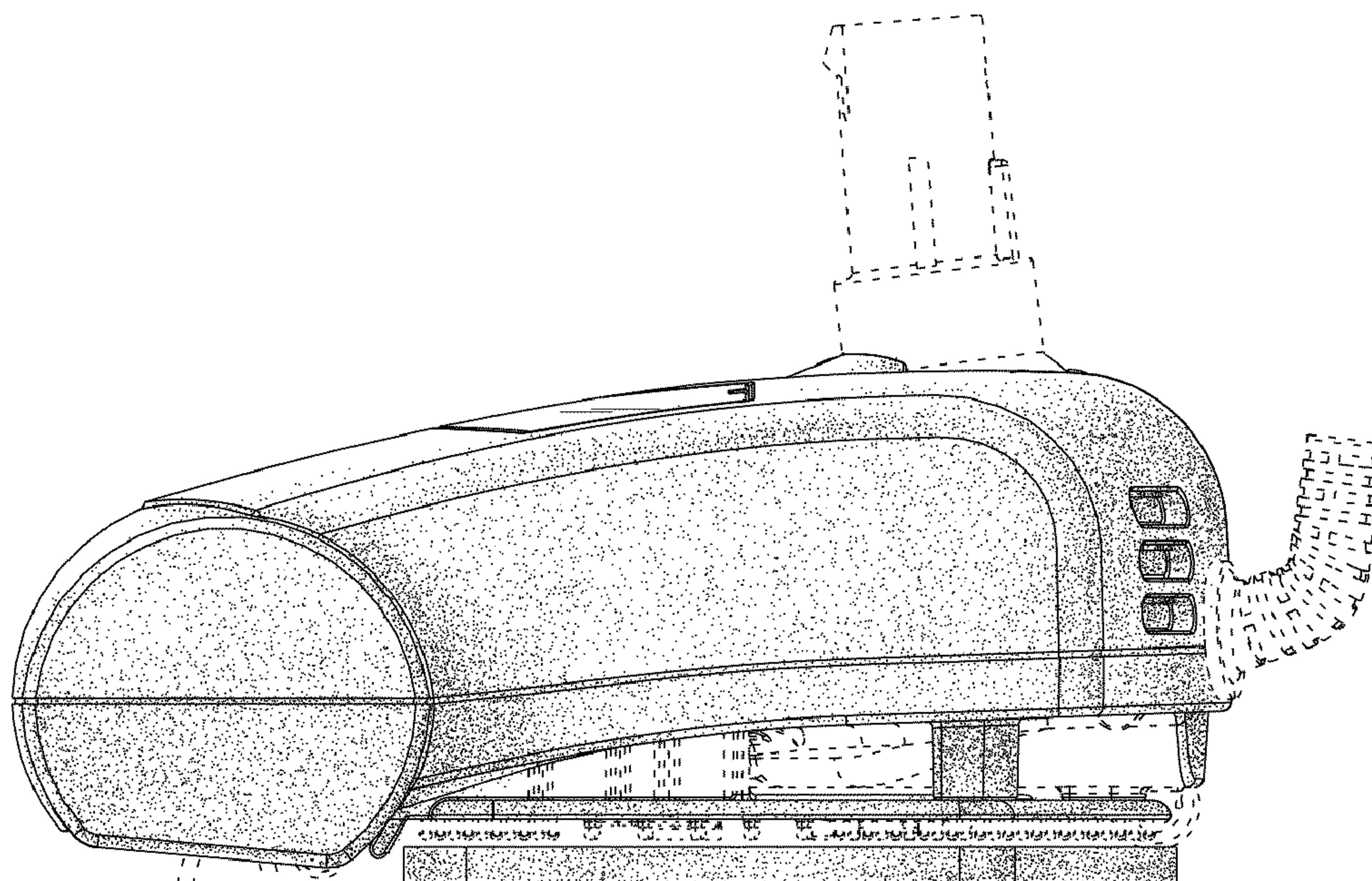


Fig. 5

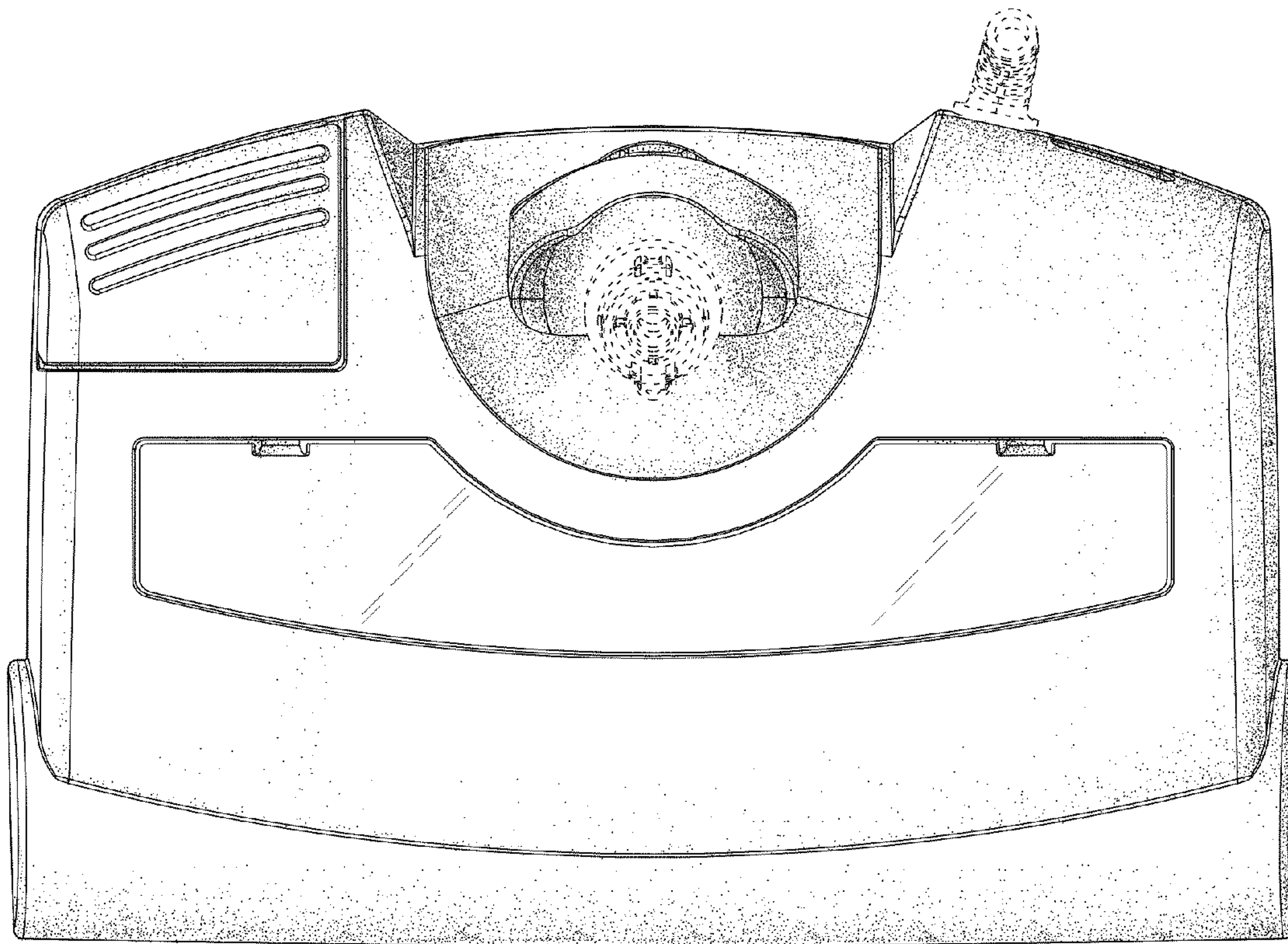


Fig. 6