



US00D648909S

(12) **United States Design Patent**  
**Bhattacharya**

(10) **Patent No.:** **US D648,909 S**

(45) **Date of Patent:** **\*\* Nov. 15, 2011**

(54) **DRYER DOOR**

D627,529 S \* 11/2010 Jeon et al. .... D32/6  
D630,807 S \* 1/2011 Song et al. .... D32/6  
D633,262 S \* 2/2011 Jeon et al. .... D32/6

(75) Inventor: **Abhijeet Bhattacharya**, Saint Joseph,  
MI (US)

\* cited by examiner

(73) Assignee: **Whirlpool Corporation**, Benton Harbor,  
MI (US)

*Primary Examiner* — T. Chase Nelson  
*Assistant Examiner* — Kathleen M Sims

(\*\*) Term: **14 Years**

(74) *Attorney, Agent, or Firm* — Tara M. Hartman; Barnes &  
Thornberg, LLP

(21) Appl. No.: **29/378,422**

(57) **CLAIM**  
We claim the ornamental design for a dryer door, as shown  
and described.

(22) Filed: **Nov. 4, 2010**

(51) **LOC (9) Cl.** ..... **15-05**

(52) **U.S. Cl.** ..... **D32/25**

(58) **Field of Classification Search** ..... D32/1,  
D32/5-6, 8, 10, 25, 28; 34/58, 108, 523,  
34/595-597, 603; 68/3 R, 4, 5 R, 12.01,  
68/12.08, 212

**DESCRIPTION**

See application file for complete search history.

FIG. 1 is a front perspective view of a dryer door showing my  
new design;  
FIG. 2 is a front elevation view of the dryer door of FIG. 1;  
FIG. 3 is a top plan view of the dryer door of FIG. 1, with the  
bottom plan view being a minor image of FIG. 3;  
FIG. 4 is a first side elevation view of the dryer door of FIG.  
1; and,  
FIG. 5 is the second side elevation view of the dryer door of  
FIG. 1.

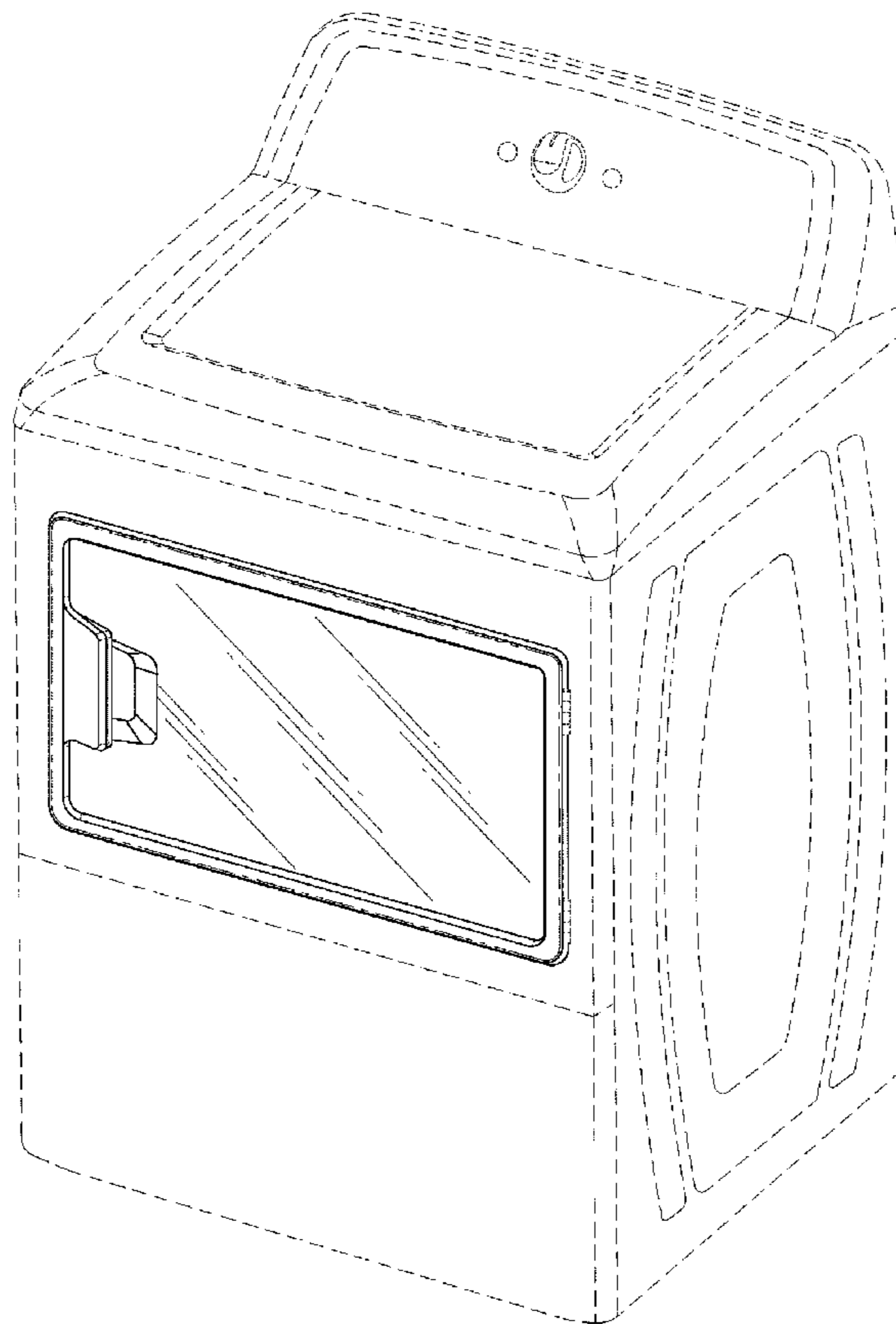
(56) **References Cited**

U.S. PATENT DOCUMENTS

D285,013 S \* 8/1986 Nakamura et al. .... D32/8  
D297,059 S \* 8/1988 Matsumoto et al. .... D32/8  
D479,373 S \* 9/2003 Silva ..... D32/25  
D481,499 S \* 10/2003 Moreira da Silva ..... D32/25  
D532,941 S \* 11/2006 Carey et al. .... D32/6  
D618,865 S \* 6/2010 Cline et al. .... D32/6  
D619,313 S \* 7/2010 Cline et al. .... D32/25

The rear elevation view is not shown and forms no part of the  
claimed design. The portion shown in broken lines is for  
illustrative purposes only and forms no part of the claimed  
design.

**1 Claim, 4 Drawing Sheets**



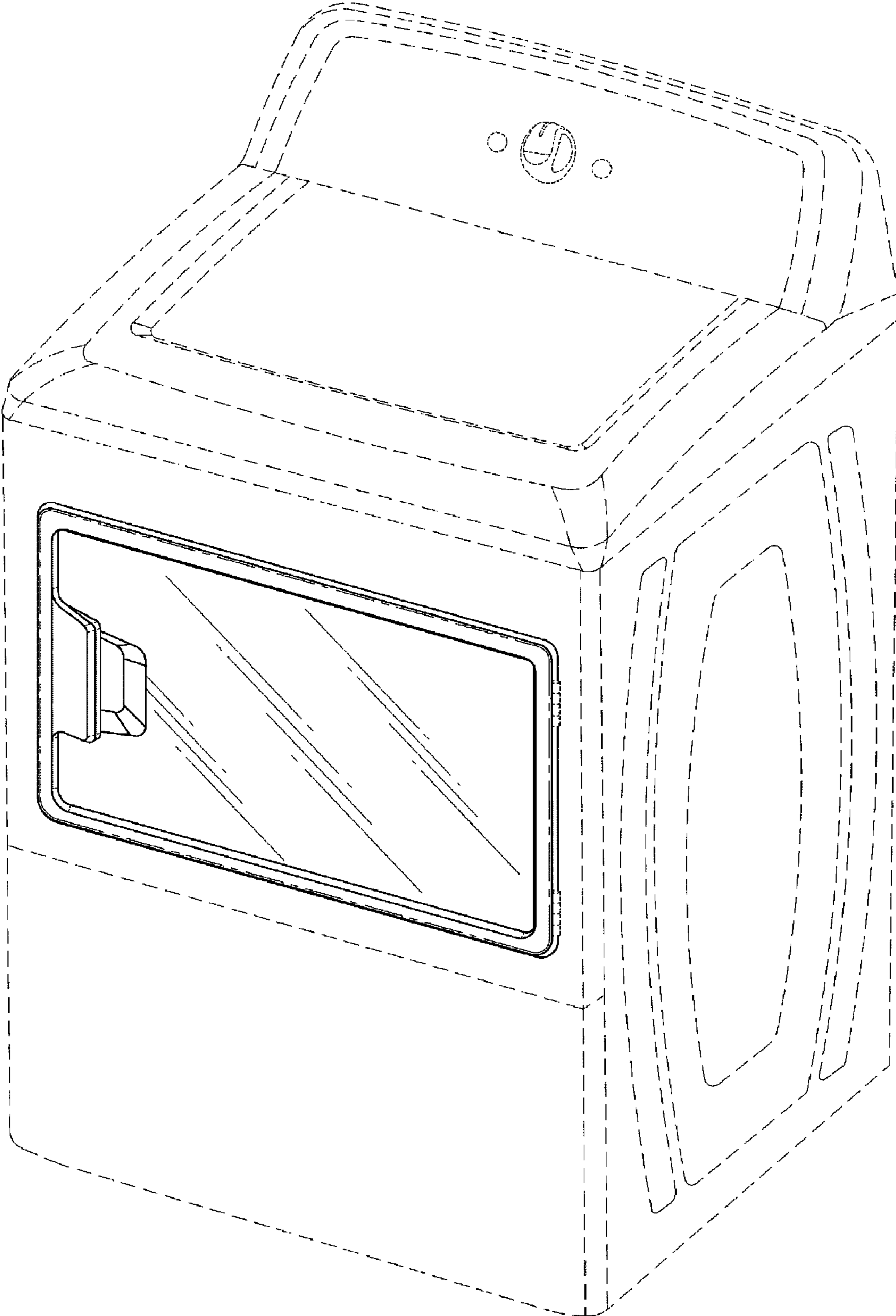


Fig. 1

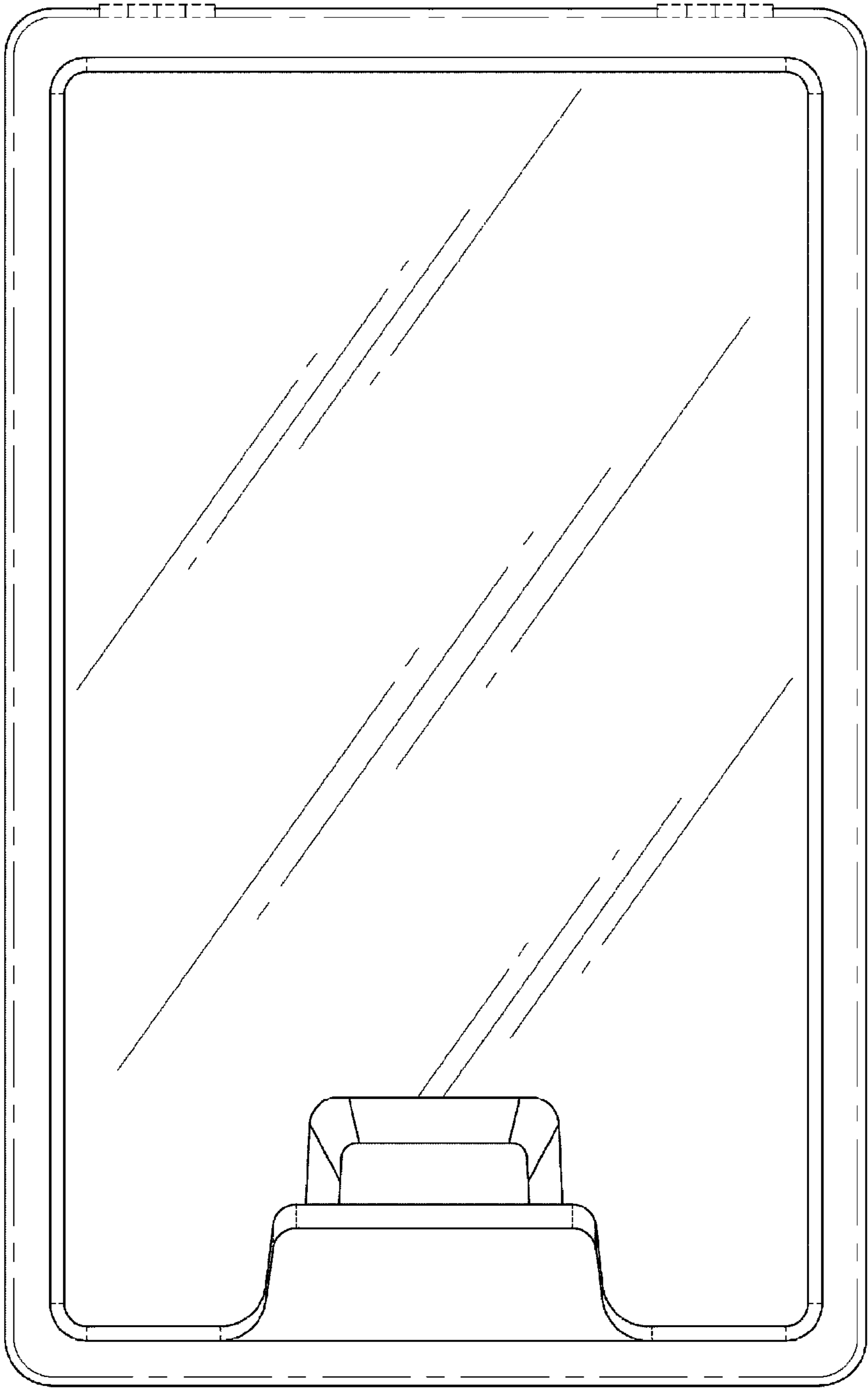


Fig. 2

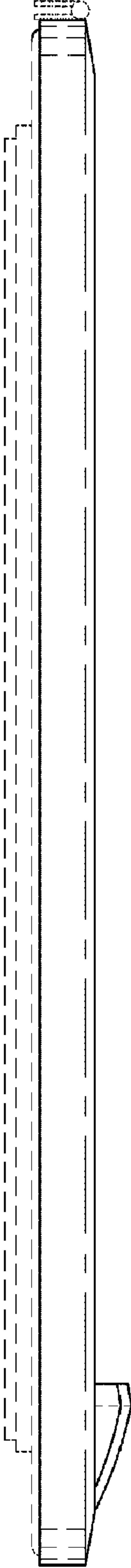


Fig. 3

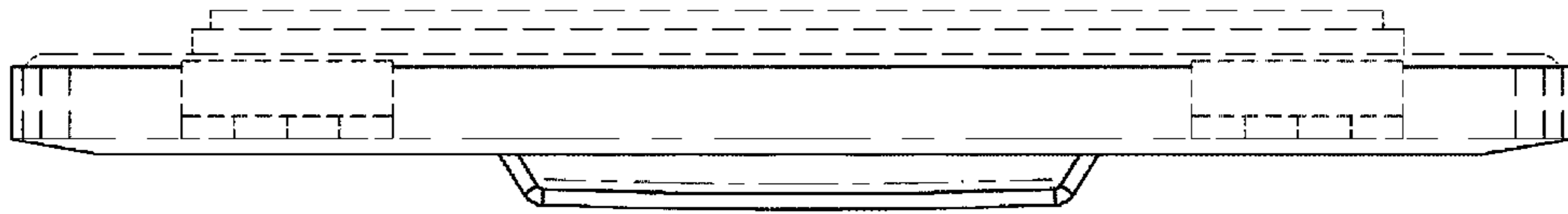


Fig. 4

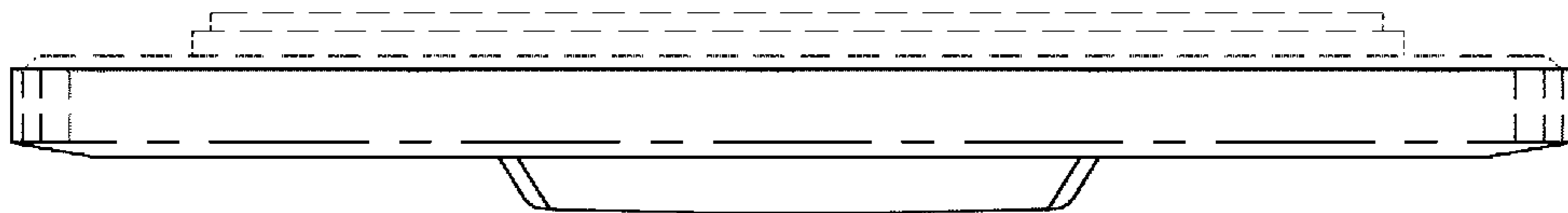


Fig. 5