



US00D648908S

(12) **United States Design Patent**  
**Ediger et al.**

(10) **Patent No.:** **US D648,908 S**

(45) **Date of Patent:** **\*\* Nov. 15, 2011**

(54) **HANDHELD STEAMER**

(75) Inventors: **Glen W. Ediger**, North Newton, KS  
(US); **Gary P. Israel**, Andover, KS (US)

(73) Assignee: **Vornado Air, LLC**, Andover, KS (US)

(\*\*) Term: **14 Years**

(21) Appl. No.: **29/381,446**

(22) Filed: **Dec. 20, 2010**

(51) **LOC (9) Cl.** ..... **15-05**

(52) **U.S. Cl.** ..... **D32/17**

(58) **Field of Classification Search** ..... D32/1,  
D32/6, 9, 15, 17, 18, 19; 15/300.1, 320,  
15/321, 322, 344; D4/114; 134/19, 198;  
38/69, 70, 74, 75, 77.1, 77.5, 77.7, 77.83;  
392/386, 394, 403, 404, 405, 406; 8/147,  
8/149.2, 149.3; 141/59; 239/537, 538, 583,  
239/584, 525, 526; 68/5 A, 5 R, 3 R, 213,  
68/222; D23/213, 223, 224, 225

See application file for complete search history.

(56) **References Cited**

**U.S. PATENT DOCUMENTS**

2,668,315	A *	2/1954	Crosby	.....	15/344
D222,502	S *	10/1971	Madl	.....	D32/17
4,078,525	A *	3/1978	Chiba	.....	122/40
D314,649	S *	2/1991	Campbell et al.	.....	D32/17
5,590,439	A *	1/1997	Alazet	.....	15/320
D380,950	S *	7/1997	Gildersleeve et al.	.....	D8/62
D421,670	S *	3/2000	Schupp	.....	D32/17
D436,424	S *	1/2001	Buzzi	.....	D32/17
D447,841	S *	9/2001	Rosa	.....	D32/17
6,467,705	B2 *	10/2002	Robidoux	.....	239/697
6,536,379	B1 *	3/2003	Liu	.....	122/379

D475,490	S *	6/2003	Choi	.....	D32/17
D482,505	S *	11/2003	Chow	.....	D32/17
D485,651	S *	1/2004	Lin	.....	D32/17
D516,759	S *	3/2006	Lam	.....	D32/17
D525,399	S *	7/2006	Alday Lesaga	.....	D32/17
D542,488	S *	5/2007	Lee	.....	D32/17
D605,820	S *	12/2009	LaValle et al.	.....	D32/18
D623,363	S *	9/2010	Ediger et al.	.....	D32/17

\* cited by examiner

*Primary Examiner* — Elizabeth J Oswecki

(74) *Attorney, Agent, or Firm* — Advent IP, P.C., L.L.O.

(57) **CLAIM**

The ornamental design for a handheld steamer, as shown and described.

**DESCRIPTION**

FIG. 1 is a front, right, perspective view of the handheld steamer showing our new design;

FIG. 2 is a rear, right, perspective view of the handheld steamer of FIG. 1;

FIG. 3 is a front elevation view of the handheld steamer of FIG. 1;

FIG. 4 is a rear elevation view of the handheld steamer of FIG. 1;

FIG. 5 is a right elevation view of the handheld steamer of FIG. 1;

FIG. 6 is a left elevation view of the handheld steamer of FIG. 1;

FIG. 7 is a top plan view of the handheld steamer of FIG. 1; and,

FIG. 8 is a bottom plan view of the handheld steamer of FIG. 1.

In the drawings, the broken lines in FIGS. 1-8, depict portions of the design that form no part of the claim.

**1 Claim, 8 Drawing Sheets**

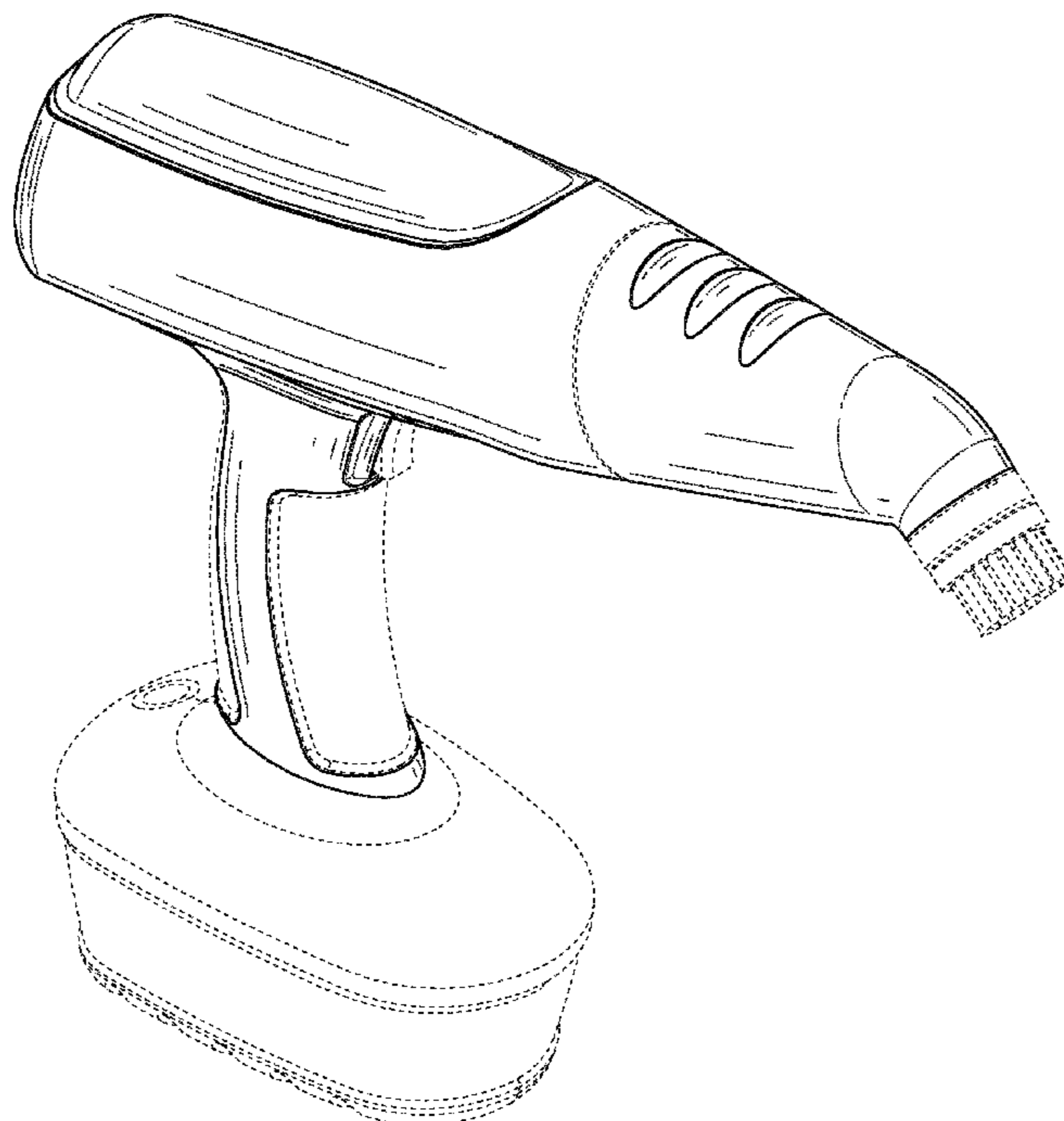




FIG. 1

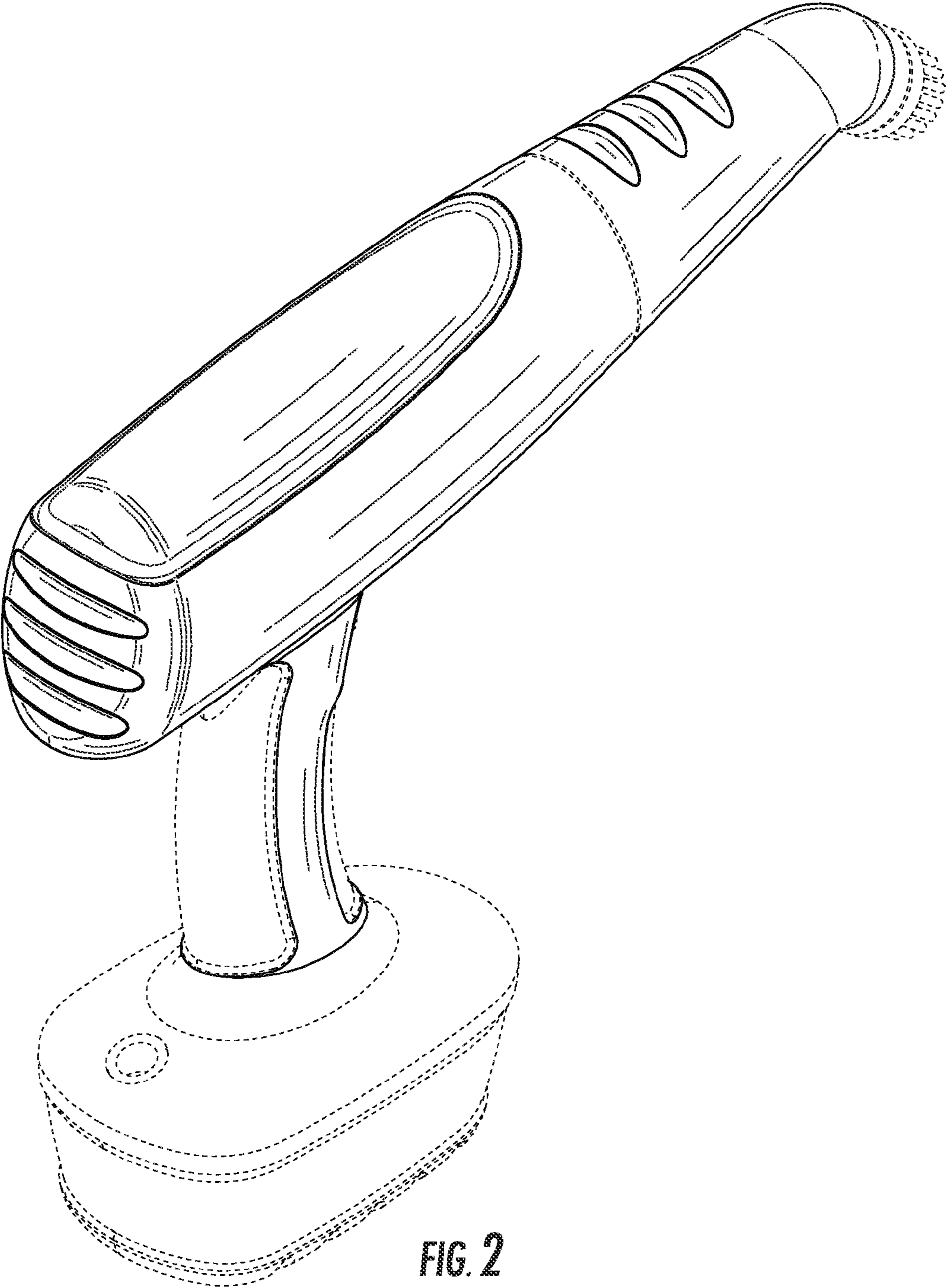


FIG. 2

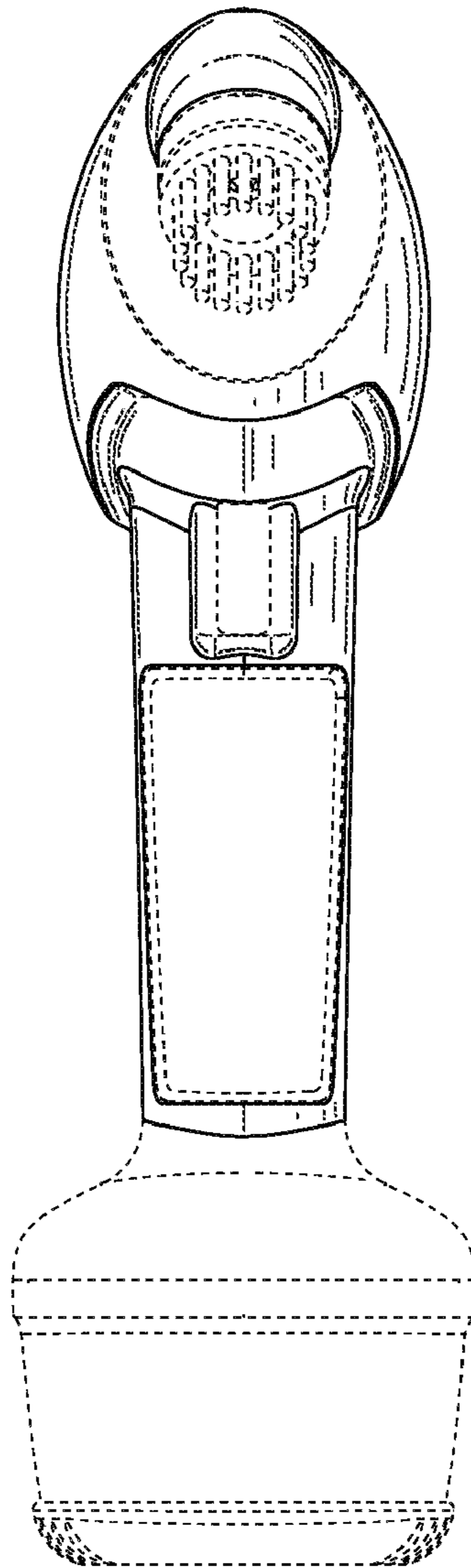


FIG. 3

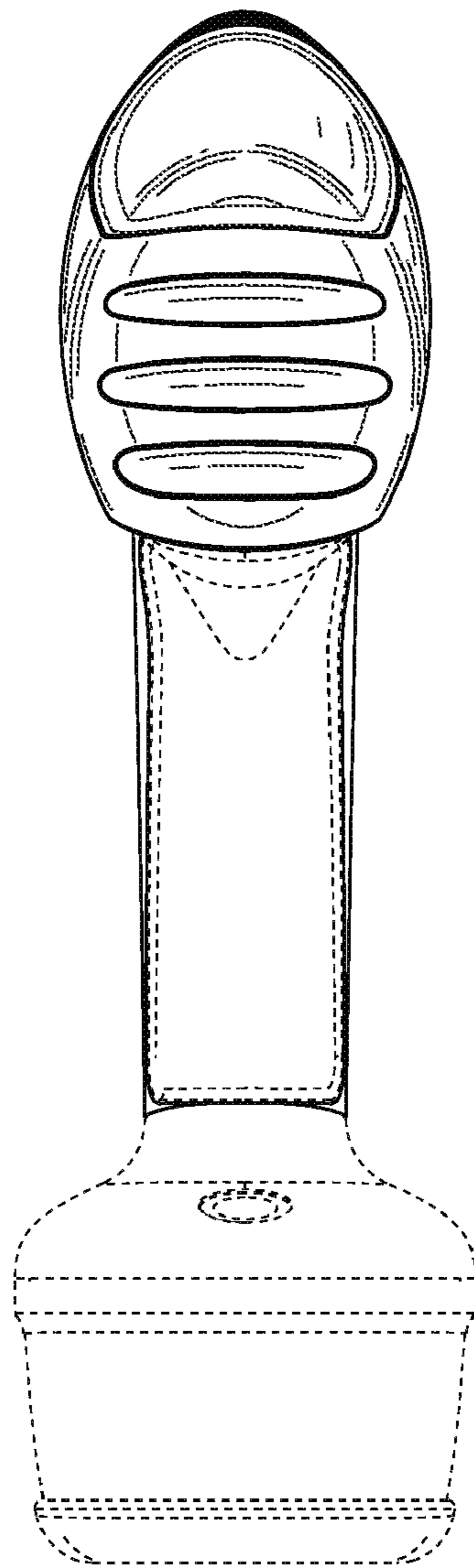


FIG. 4

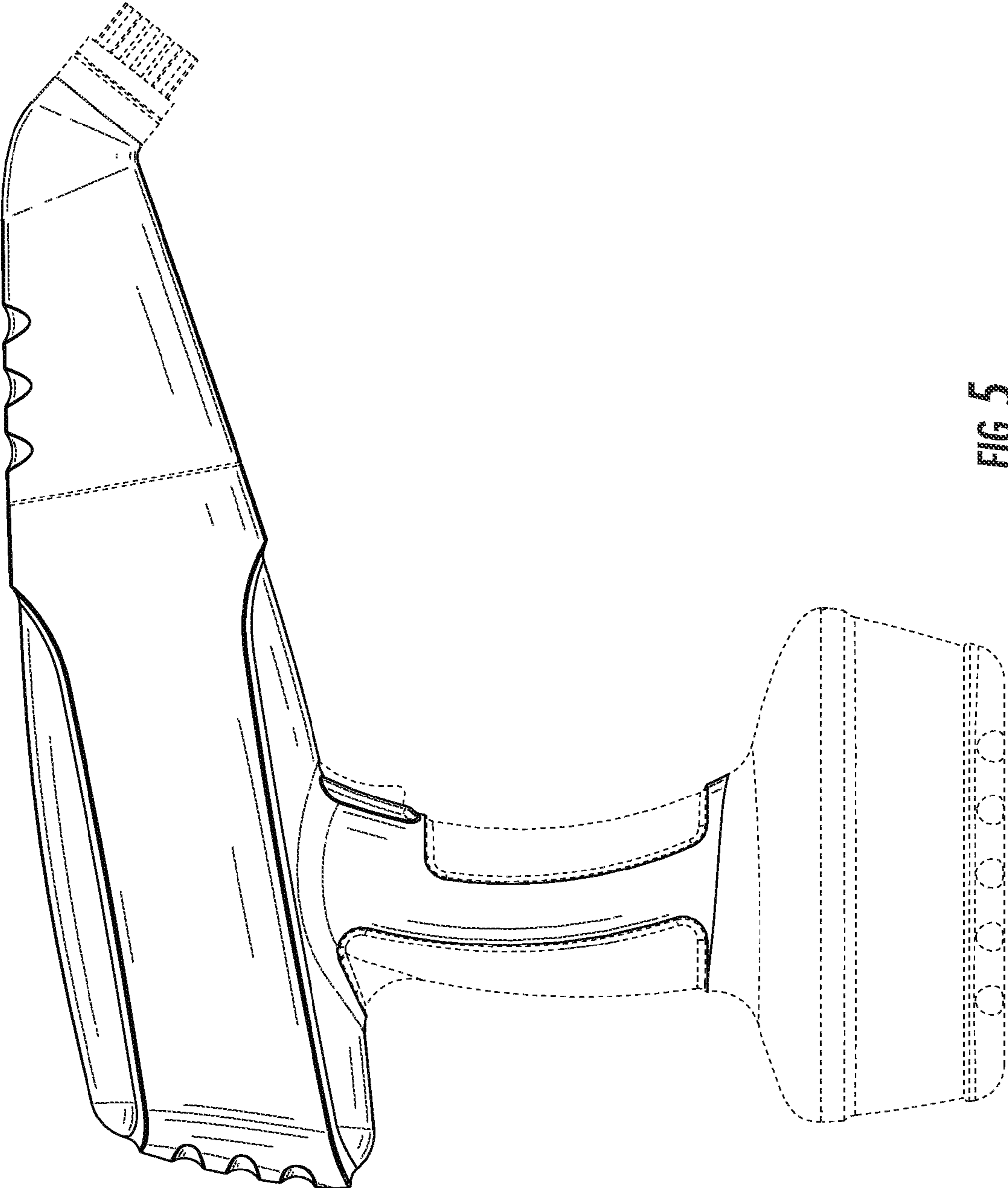


FIG. 5

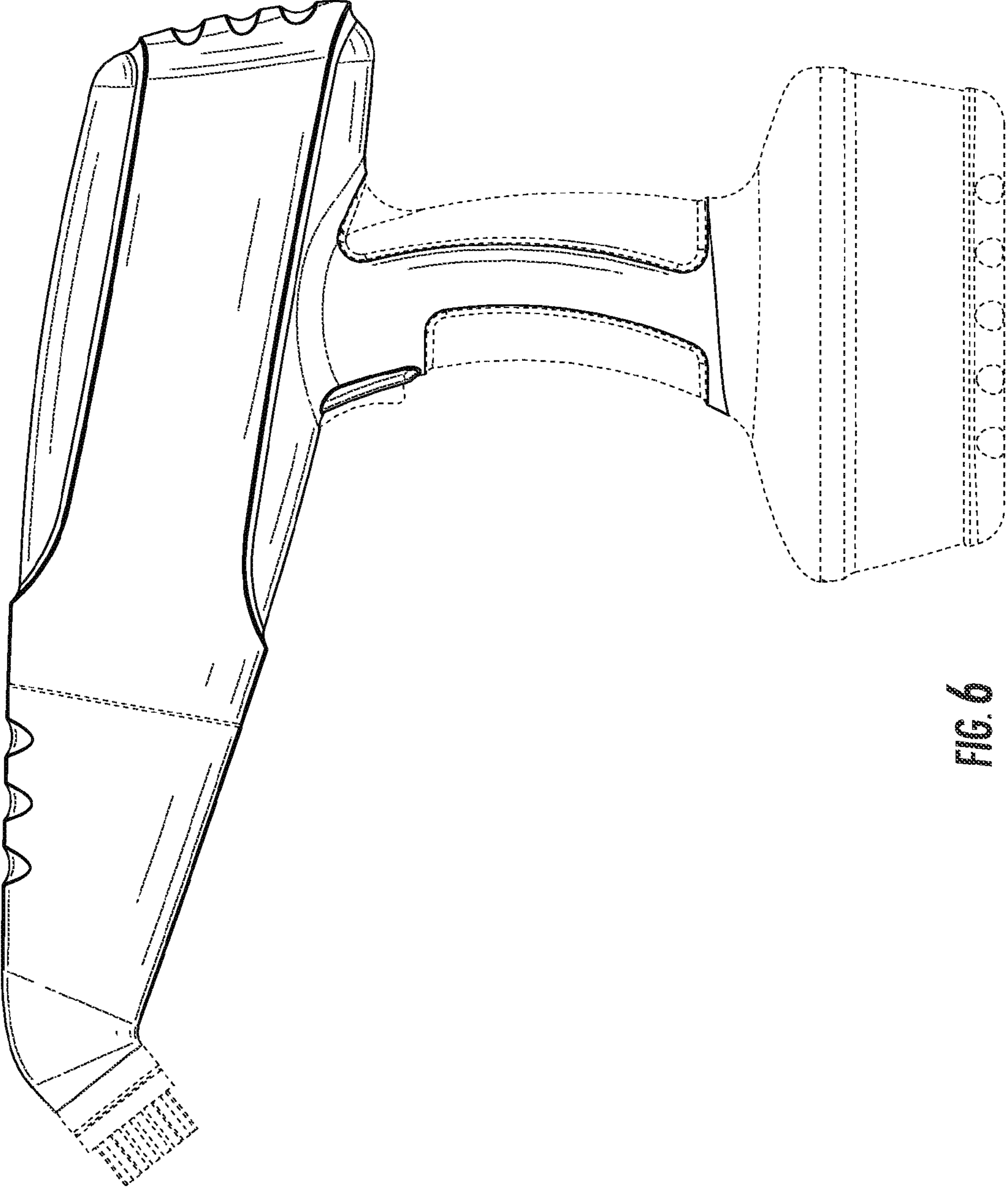


FIG. 6

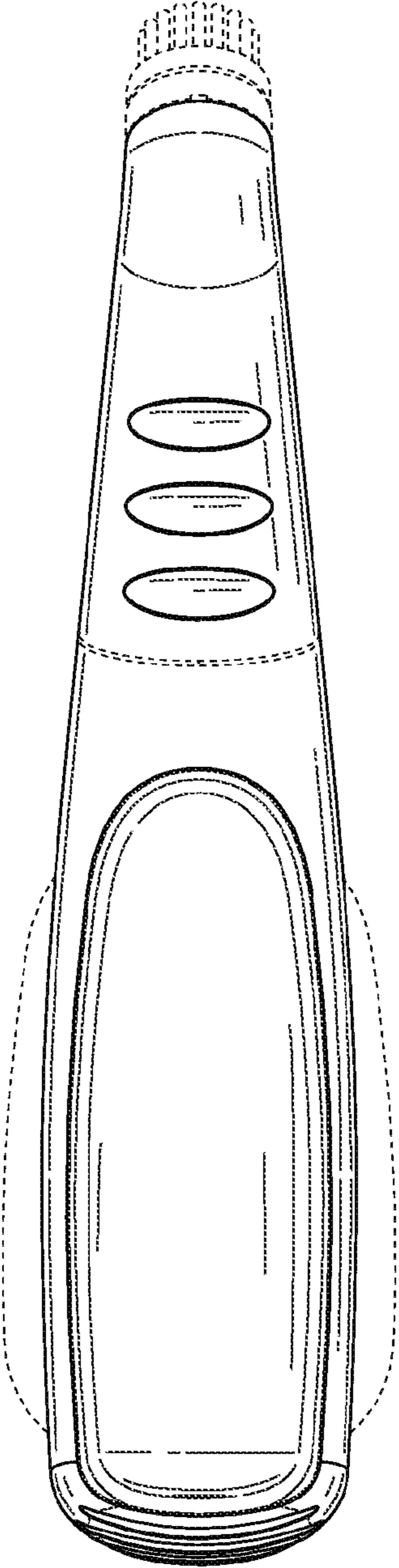


FIG. 7



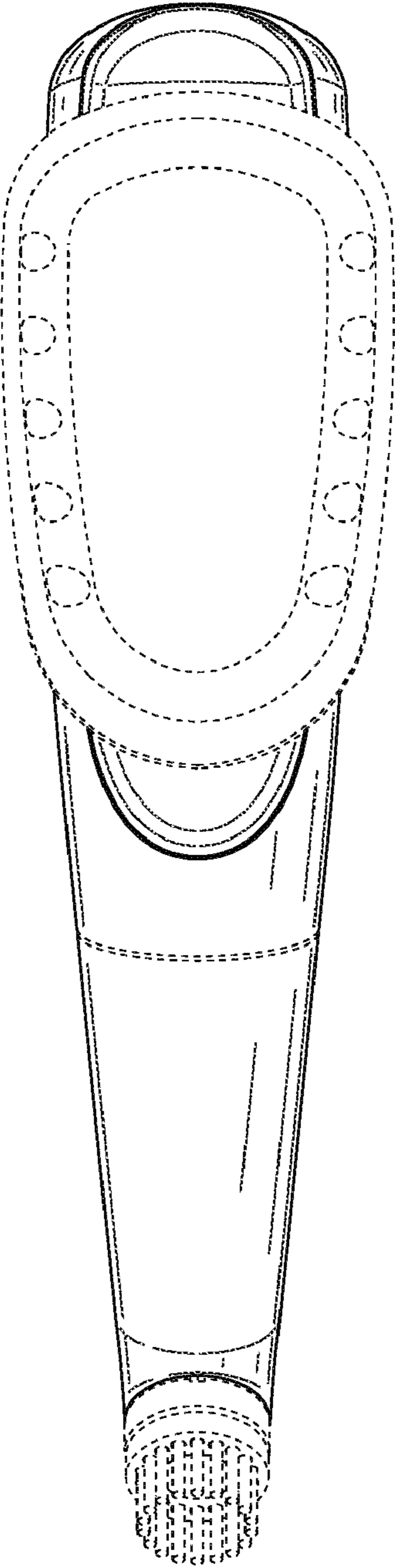


FIG. 8