

US00D648905S

(12) **United States Design Patent**
Maurer

(10) **Patent No.:** **US D648,905 S**
(45) **Date of Patent:** **** Nov. 15, 2011**

- (54) **DOG COLLAR WITH INTEGRAL RETRACTABLE LEASH**
- (76) Inventor: **Dana L. Maurer**, Coal Township, PA (US)
- (**) Term: **14 Years**
- (21) Appl. No.: **29/342,876**
- (22) Filed: **Sep. 2, 2009**
- (51) **LOC (9) Cl.** **30-04**
- (52) **U.S. Cl.** **D30/153; D30/152**
- (58) **Field of Classification Search** D30/151-154; 119/792-798, 758, 760, 769, 770, 712, 784, 119/802, 856, 857, 863, 865, 858; 54/71; 30/39; 242/397, 615.3, 382, 384.7, 396.1, 242/385, 385.2, 385.4, 381.5, 381.6; D26/38; 254/134.3 FT; D8/358, 359; 473/576
See application file for complete search history.

- D460,586 S * 7/2002 Holt et al. D30/153
- 6,443,101 B1 9/2002 Fazio
- 6,453,851 B1 * 9/2002 Holt et al. 119/795
- 6,481,382 B2 11/2002 Cohn
- 6,581,547 B1 6/2003 Austin
- D481,867 S * 11/2003 Hotz D3/271.2
- D484,650 S * 12/2003 Meath D30/153
- 6,763,785 B1 * 7/2004 Grady 119/858
- D508,591 S * 8/2005 Kresge et al. D30/153
- 6,971,334 B1 * 12/2005 Livesay et al. 119/798
- D516,756 S * 3/2006 Curtis D30/153
- 7,017,527 B2 3/2006 Price
- D522,291 S * 6/2006 Edwards D6/518
- D529,279 S * 10/2006 Parks D3/203.3
- D535,790 S * 1/2007 Curtis D30/153
- 7,281,495 B2 10/2007 Wagner
- 7,318,393 B2 * 1/2008 Ayscue 119/859

(Continued)

Primary Examiner — Susan Moon Lee
(74) *Attorney, Agent, or Firm* — Montgomery Patent & Design; Robert C. Montgomery; Joseph T. Yaksich

(56) **References Cited**

U.S. PATENT DOCUMENTS

- 2,889,807 A 6/1959 Beebe
- 3,250,253 A 5/1966 Galin
- D207,167 S * 3/1967 Fisher D30/160
- 4,328,767 A 5/1982 Peterson
- 4,537,155 A * 8/1985 Buratovich 119/797
- 4,584,967 A * 4/1986 Taplin 119/793
- 4,838,206 A 6/1989 Anderson et al.
- 4,932,362 A * 6/1990 Birchmire et al. 119/772
- 5,005,527 A * 4/1991 Hatfield 119/793
- 5,099,799 A * 3/1992 Giacobbe 119/793
- RE34,351 E * 8/1993 Lacey 119/776
- 5,456,214 A * 10/1995 Quilling 119/795
- 5,474,033 A * 12/1995 Mitchell, Jr. 119/860
- 5,711,255 A 1/1998 Rudolph
- 5,727,500 A * 3/1998 Conboy 119/174
- 5,950,571 A * 9/1999 Schade 119/859
- D425,266 S * 5/2000 Rubinstein D30/153
- 6,192,835 B1 2/2001 Calhoun et al.
- 6,276,305 B1 8/2001 Pages
- D454,416 S * 3/2002 Kaplan D30/153
- 6,367,428 B1 * 4/2002 Forte 119/863

(57) **CLAIM**

The ornamental design for a dog collar with integral retractable leash, as shown and described.

DESCRIPTION

FIG. 1 is a front perspective view of a dog collar with integral retractable leash depicting a leash member in a partially deployed state;

FIG. 2 is a rear perspective view of the dog collar with integral retractable leash of FIG. 1;

FIG. 3 is a front view of the dog collar with integral retractable leash depicting the leash member in a fully retracted state;

FIG. 4 is a rear view thereof;

FIG. 5 is an enlarged left side view thereof;

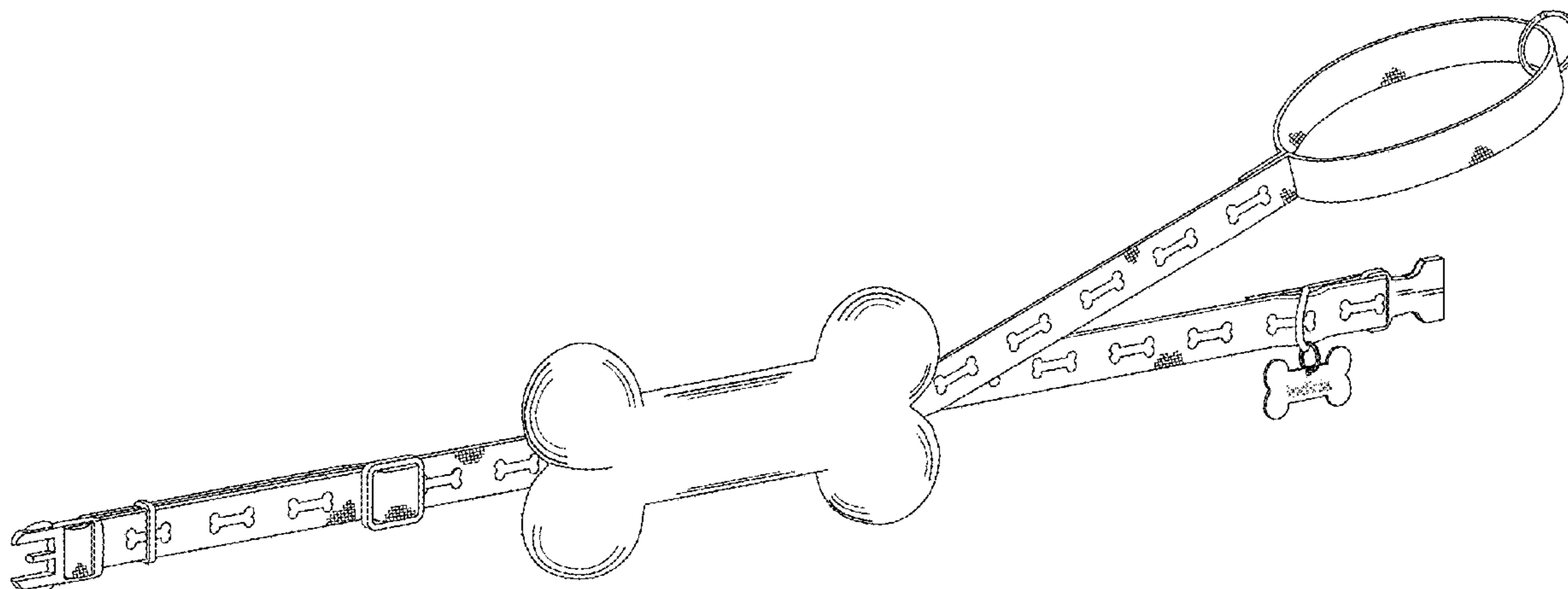
FIG. 6 is an enlarged right side view thereof;

FIG. 7 is a top view thereof; and,

FIG. 8 is a bottom view thereof.

The broken line elements are not claimed.

1 Claim, 7 Drawing Sheets



US D648,905 S

Page 2

U.S. PATENT DOCUMENTS

D578,256	S	*	10/2008	Miller	D30/153			
D609,409	S	*	2/2010	Labelson et al.	D30/153			
2002/0035968	A1	*	3/2002	Prusia et al.	119/792			
2004/0112303	A1	*	6/2004	Moulton, III	119/795			
2006/0278178	A1	*	12/2006	Morrison-Gale	119/858			
2006/0288960	A1		12/2006	Harrison					
2007/0022974	A1	*	2/2007	Aebi	119/795			
2007/0107673	A1	*	5/2007	Langer et al.	119/859			
2007/0267531	A1	*	11/2007	Petersen	242/588.6			
2009/0013939	A1	*	1/2009	Santiago et al.	119/719			

* cited by examiner

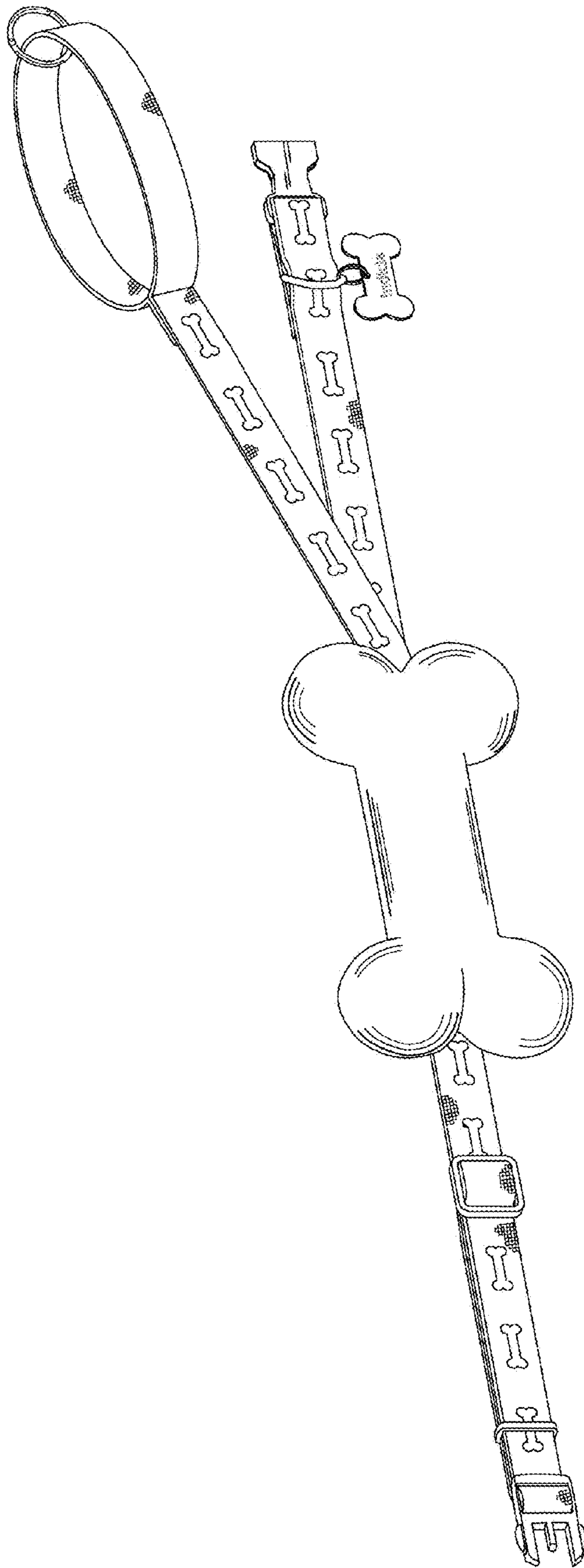


Fig. 1

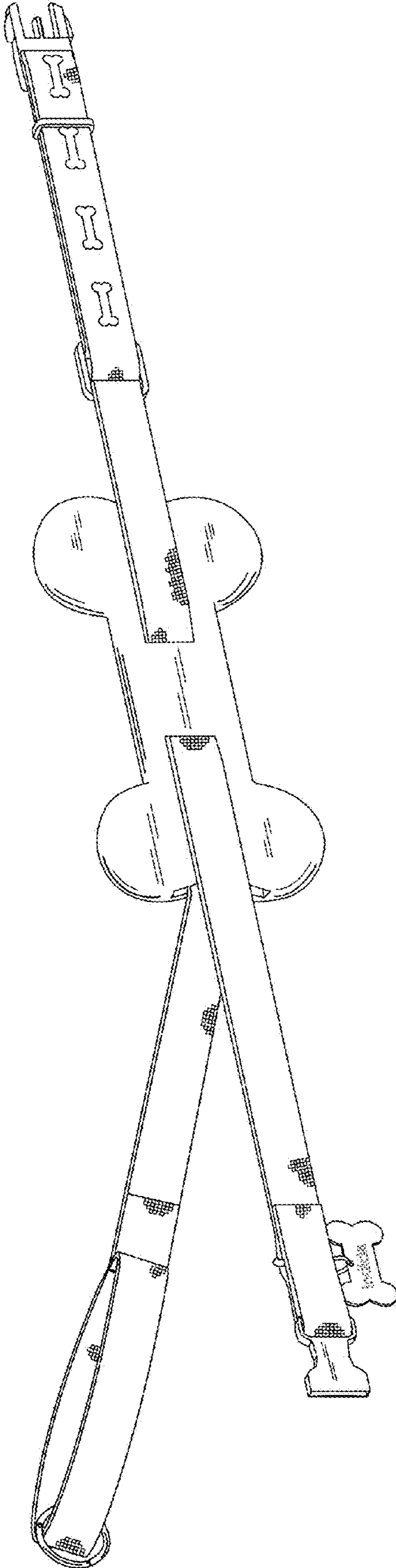


Fig. 2

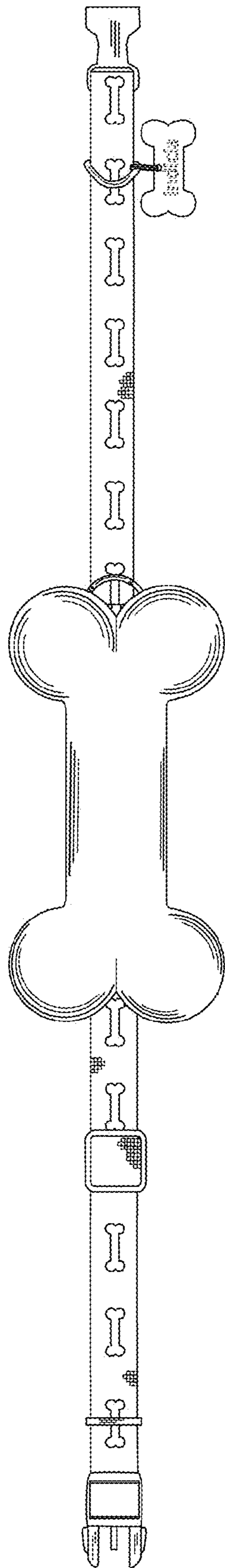


Fig. 3

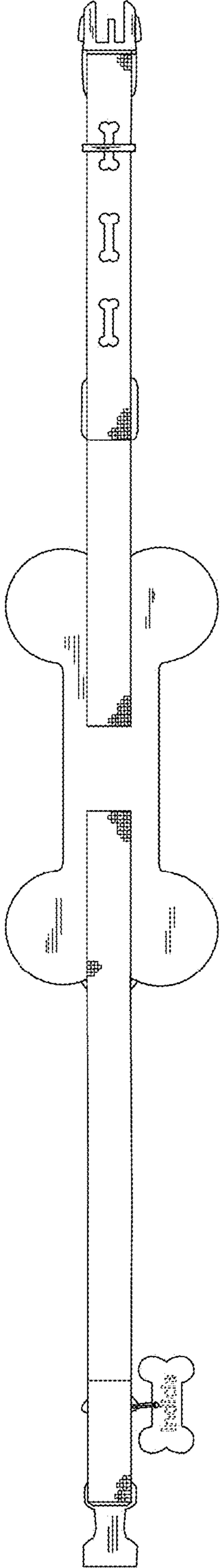


Fig. 4

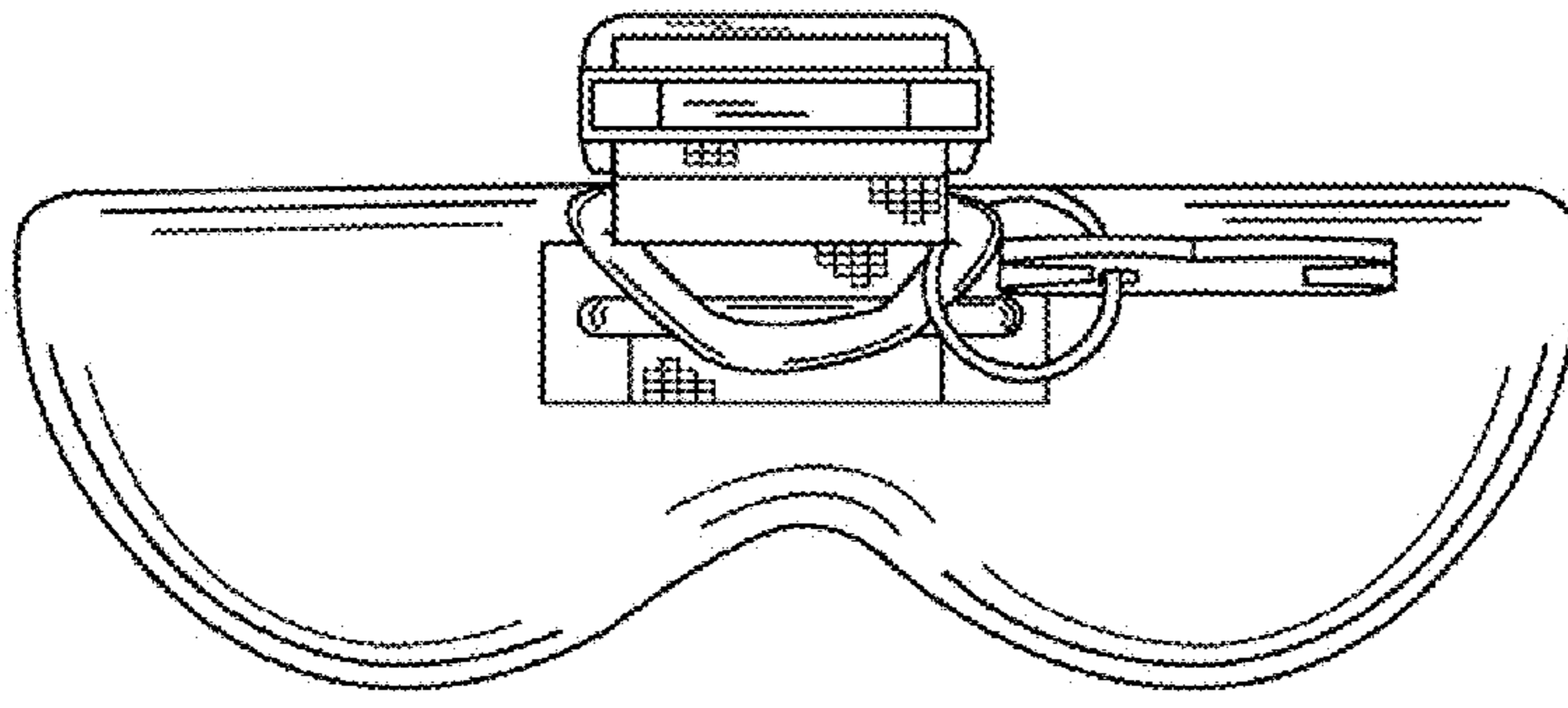


Fig. 6

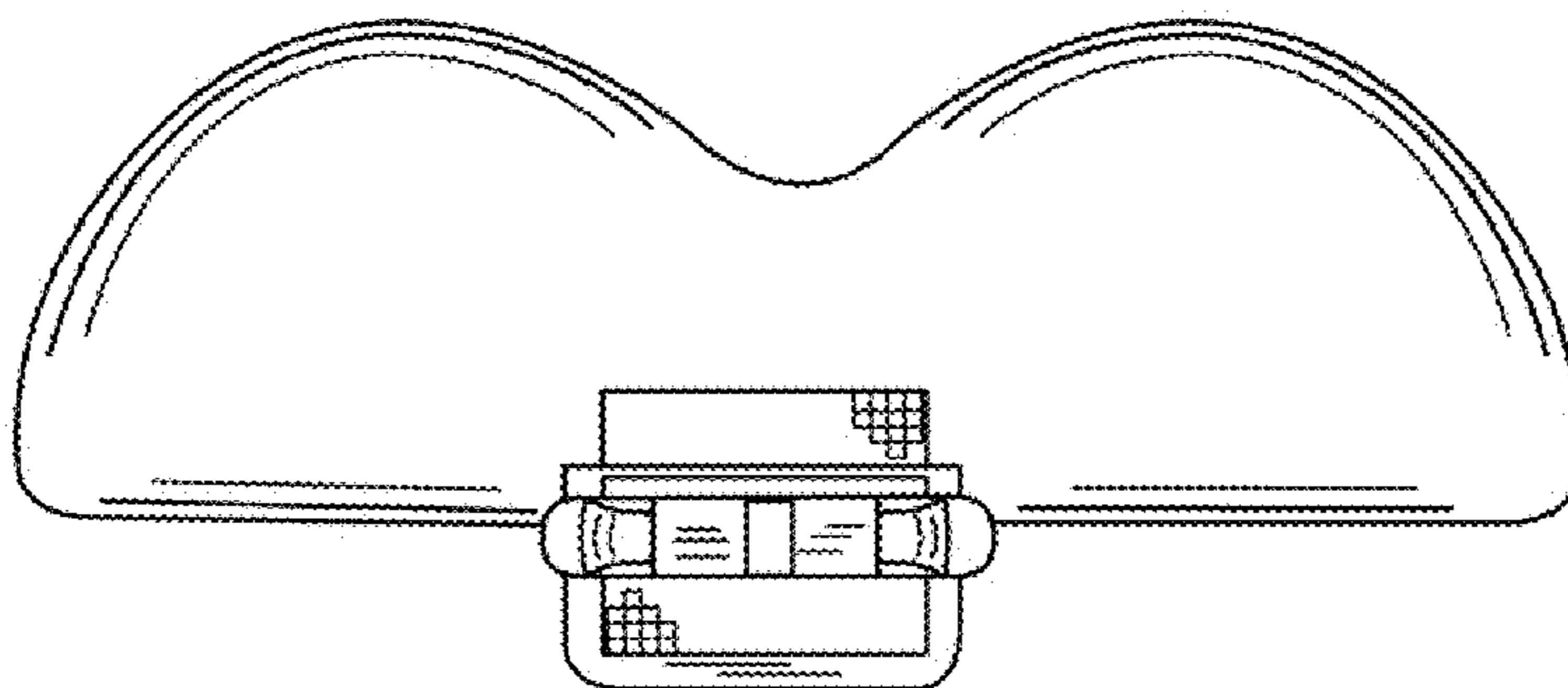


Fig. 5

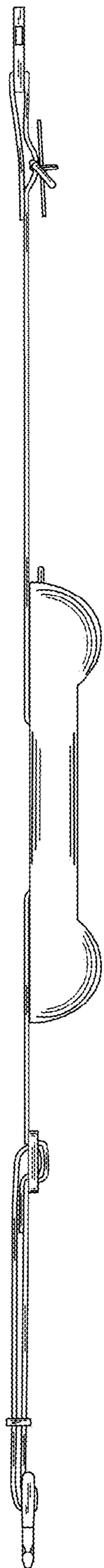


Fig. 7

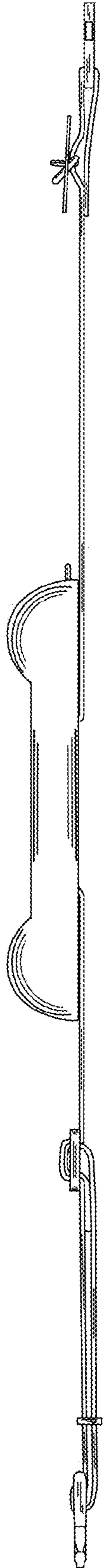


Fig. 8