



US00D648898S

(12) **United States Design Patent**
Ino

(10) **Patent No.:** **US D648,898 S**

(45) **Date of Patent:** **** Nov. 15, 2011**

(54) **ELECTRIC SHAVER**

(75) Inventor: **Tomoaki Ino**, Yokohama (JP)

(73) Assignee: **Panasonic Electric Works Co., Ltd.**,
Kadoma-shi (JP)

(**) Term: **14 Years**

(21) Appl. No.: **29/396,873**

(22) Filed: **Jul. 8, 2011**

(30) **Foreign Application Priority Data**

Mar. 4, 2011 (JP) 2011-005116

(51) **LOC (9) Cl.** **28-03**

(52) **U.S. Cl.** **D28/54**

(58) **Field of Classification Search** 30/32, 34.05,
30/34.1-34.2, 30-31, 43-43.92, 44-45, 47-51,
30/77-84, 526-541, 346.5-346.61, 194-196,
30/198-205, 208-216, 233-233.5, 152, 355;
D8/20; D28/44-44.1, 45-54

See application file for complete search history.

(56) **References Cited**

U.S. PATENT DOCUMENTS

1,527,561	A *	2/1925	Klum	30/169
2,685,734	A *	8/1954	Klein	30/144
4,890,386	A *	1/1990	Collier	30/136
D385,164	S *	10/1997	Hutchins et al.	D8/20
5,724,688	A *	3/1998	Chen	7/128
D455,057	S *	4/2002	Medhurst	D8/20
D481,169	S *	10/2003	Cheung	D28/44
D551,801	S *	9/2007	Ullmann	D28/51
D572,408	S *	7/2008	Nishizawa	D28/49
D587,849	S *	3/2009	Nishizawa	D28/51
D590,542	S *	4/2009	Ullmann	D28/49
2003/0192128	A1 *	10/2003	Rivera	7/128
2007/0001040	A1 *	1/2007	Walters	241/82.5
2008/0066626	A1 *	3/2008	Raichlen et al.	99/421 H

2008/0127497	A1 *	6/2008	Moss et al.	30/355
2008/0263869	A1 *	10/2008	Floessholzer	30/34.1
2009/0183376	A1 *	7/2009	Wang	30/233.5
2009/0236902	A1 *	9/2009	Zibkoff	301/104
2011/0131811	A1 *	6/2011	Hirano	30/30

* cited by examiner

Primary Examiner — Jennifer Rivard

(74) *Attorney, Agent, or Firm* — Marvin A. Motsenbocker;
Mots Law, PLLC

(57) **CLAIM**

The ornamental design for an electric shaver, as shown and described.

DESCRIPTION

FIG. 1 is a front perspective view of an electric shaver;
 FIG. 2 is a top plan view thereof;
 FIG. 3 is an enlarged top plan view thereof;
 FIG. 4 is a front view thereof;
 FIG. 5 is an enlarged view thereof between lines 5-5 in FIG. 4, in which the internal components are omitted;
 FIG. 6 is an enlarged sectional view thereof taken along line 6-6 in FIG. 5, in which the internal components are omitted;
 FIG. 7 is a right side view thereof;
 FIG. 8 is an enlarged view thereof between lines 8-8 in FIG. 7, in which the internal components are omitted;
 FIG. 9 is a rear view thereof;
 FIG. 10 is a left side view thereof;
 FIG. 11 is a bottom plan view thereof;
 FIG. 12 is an enlarged view thereof between lines 12A-12A and lines 12B-12B in FIG. 2; and,
 FIG. 13 is an enlarged view thereof between lines 12A-12A and lines 13A-13A in FIG. 2.

The portions of the article in broken lines are shown for illustrative purposes only and form no part of the claimed design. The long dash short dash line forms the boundary of the claimed design and forms no part of the claimed design.

1 Claim, 13 Drawing Sheets

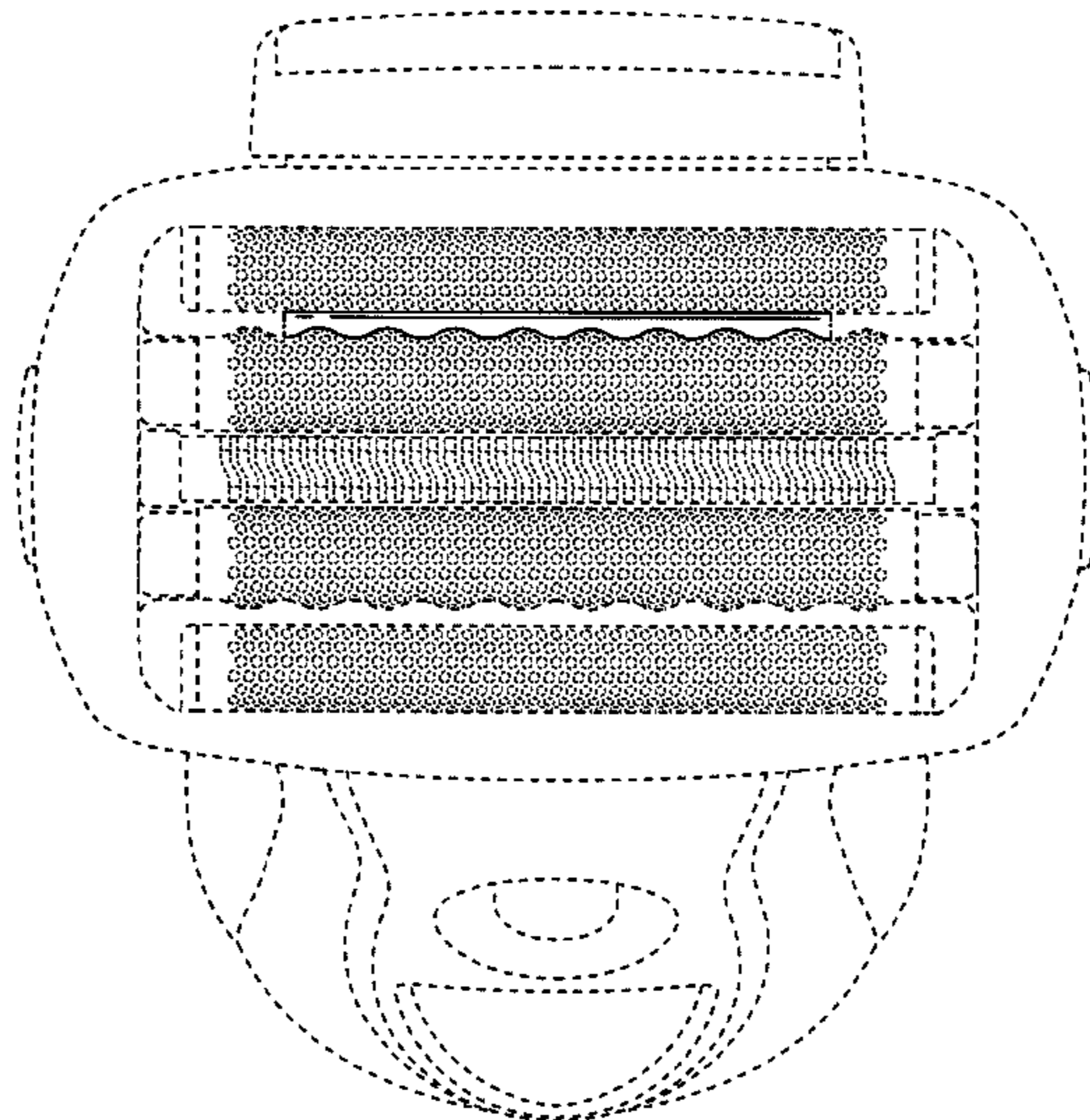


Fig. 1

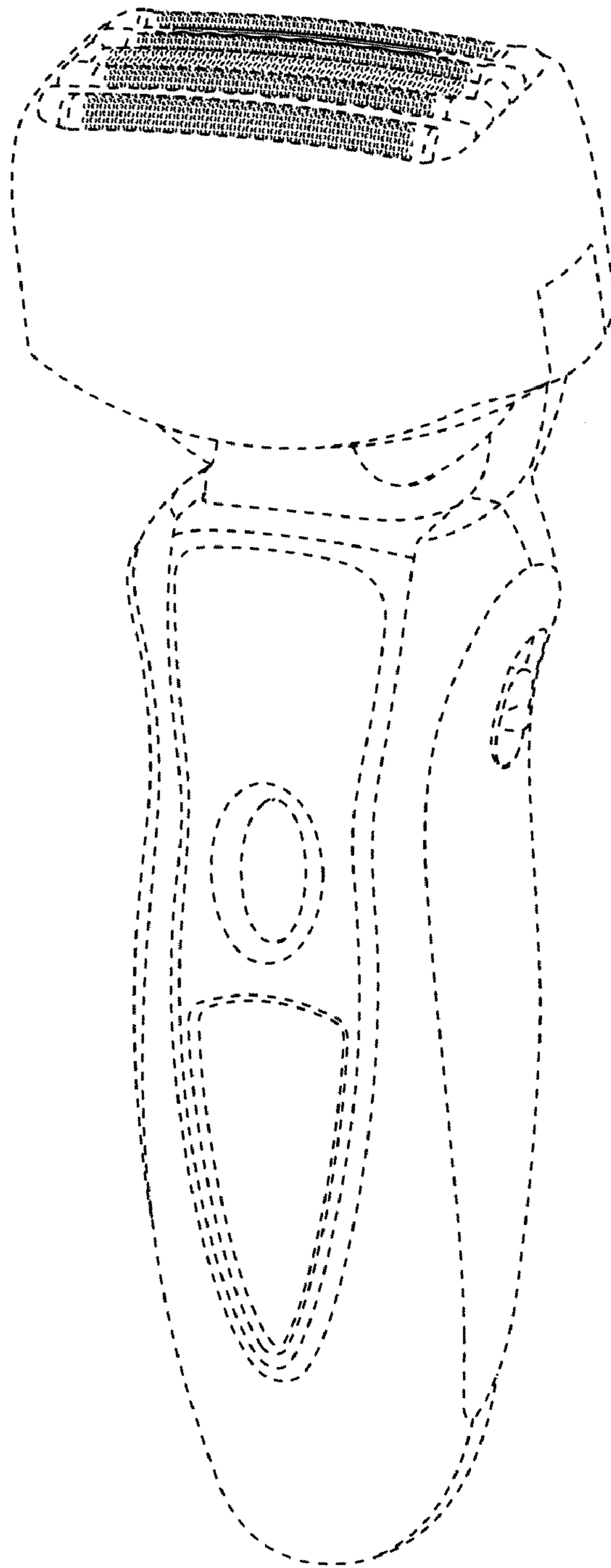


Fig.2

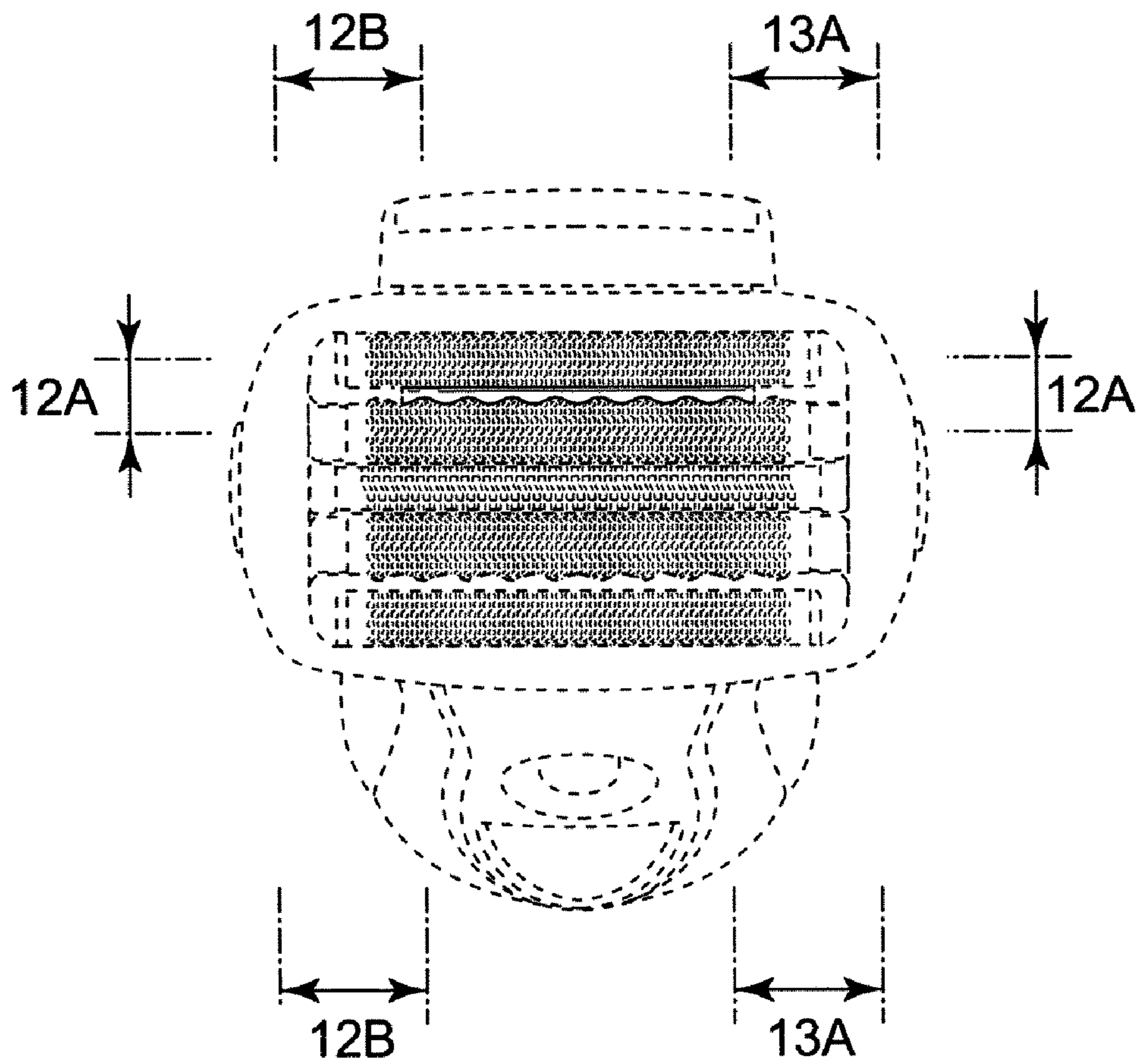


Fig.3

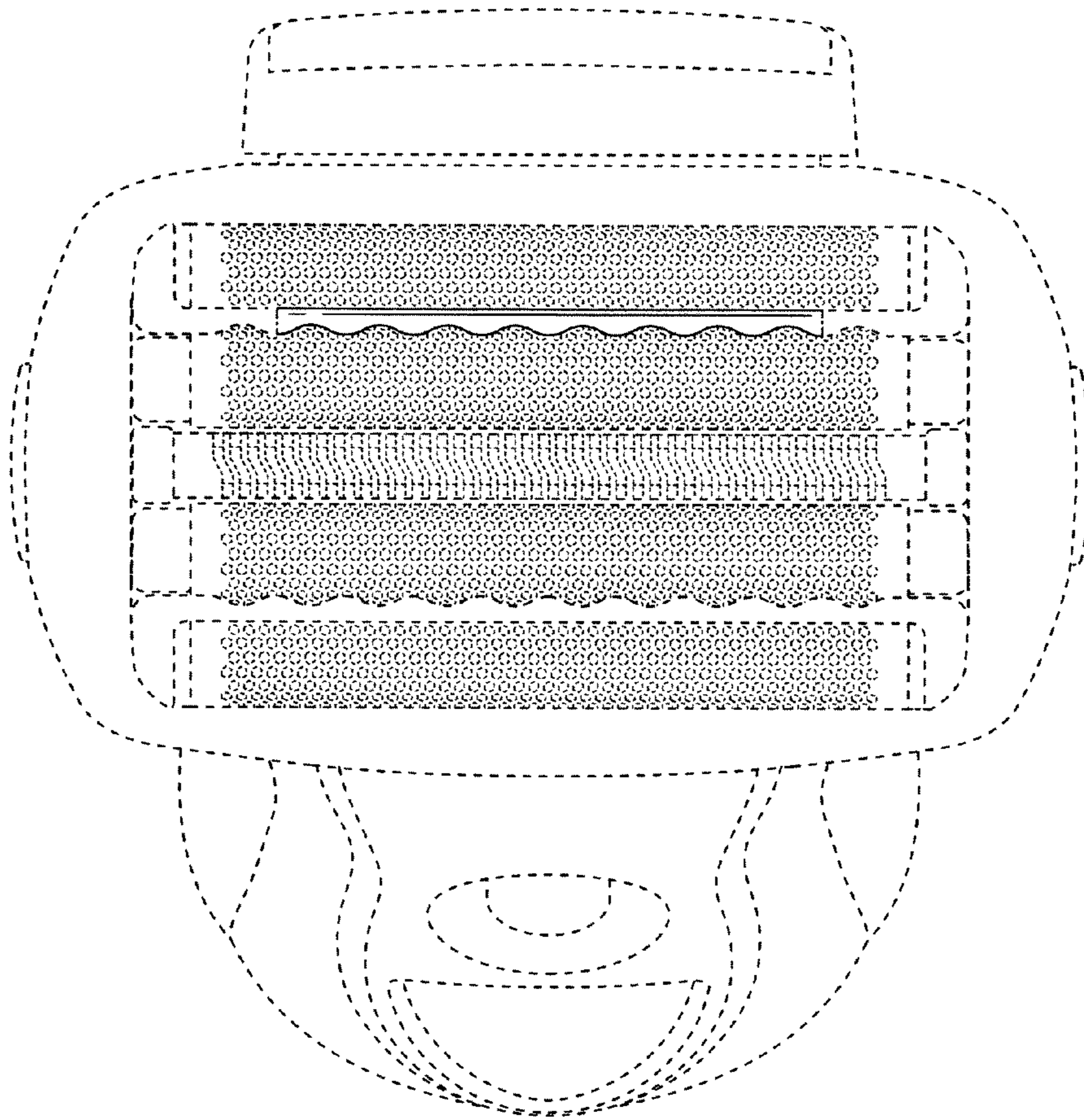


Fig.4

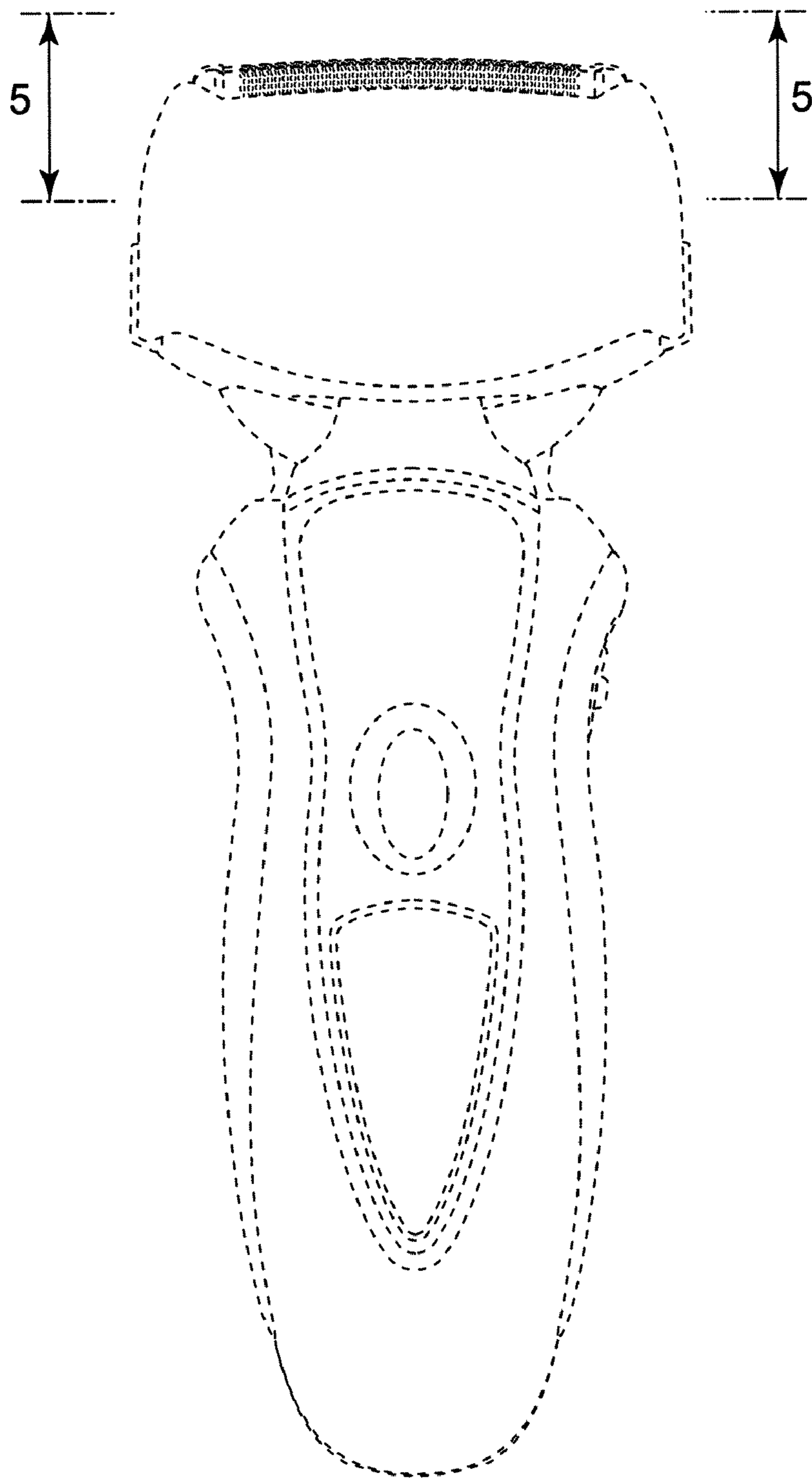


Fig.5

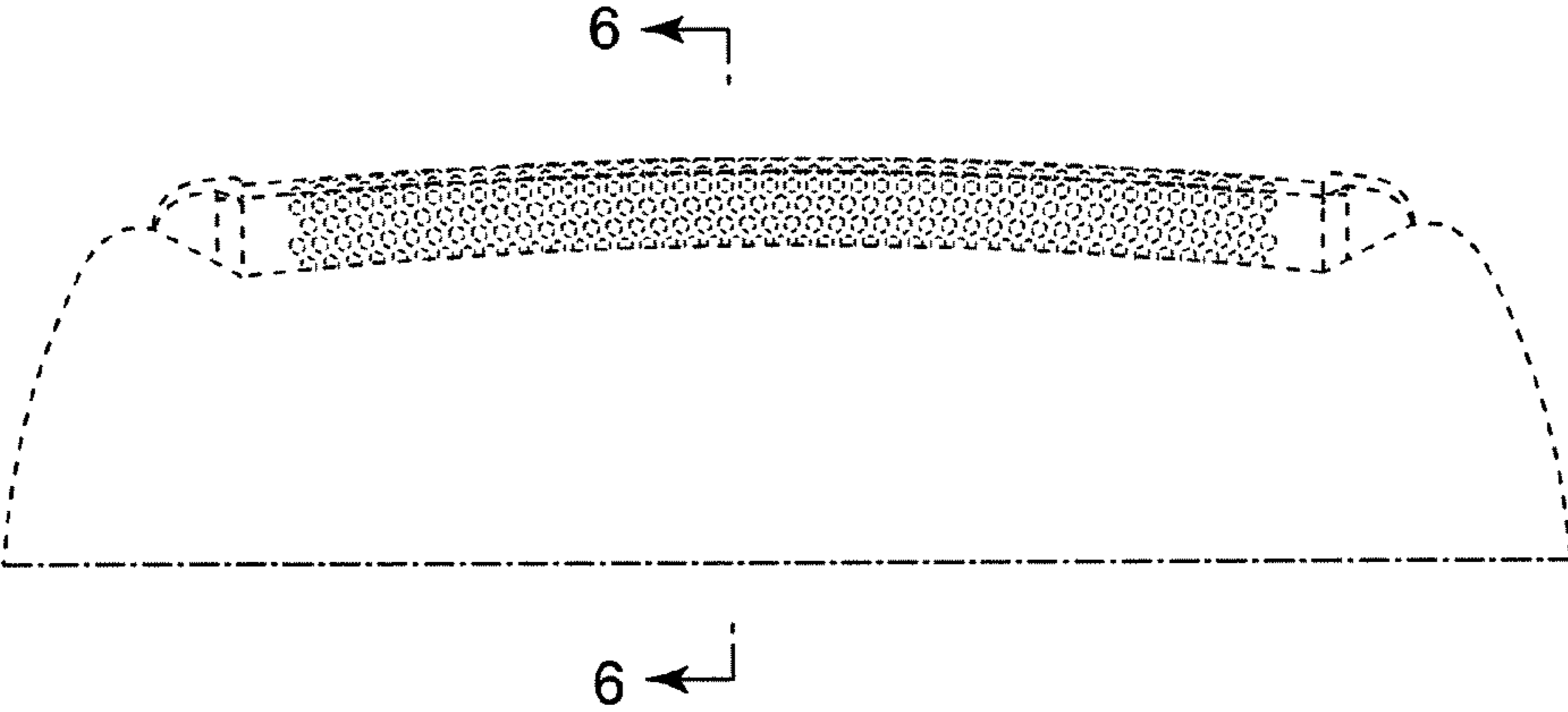


Fig.6

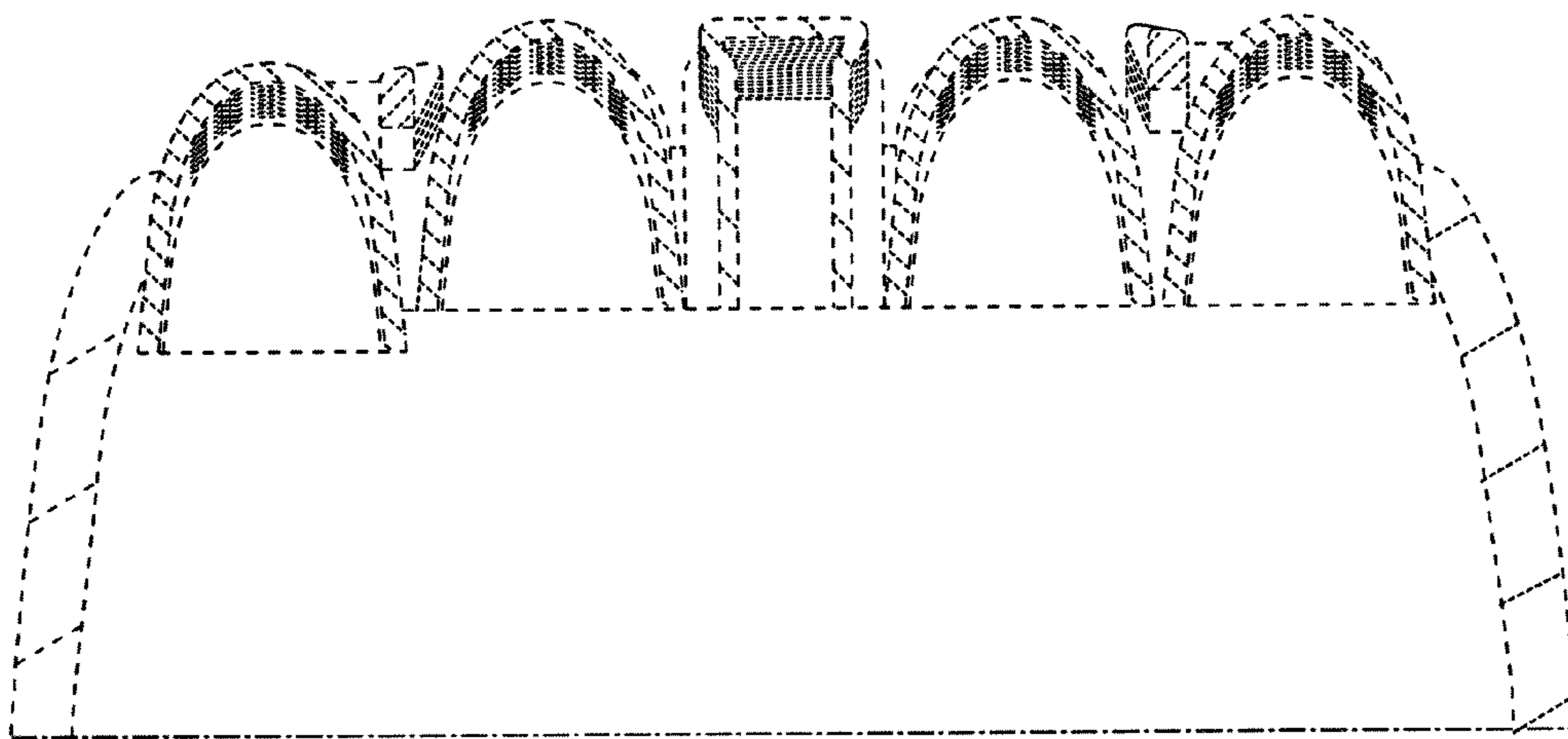


Fig.7

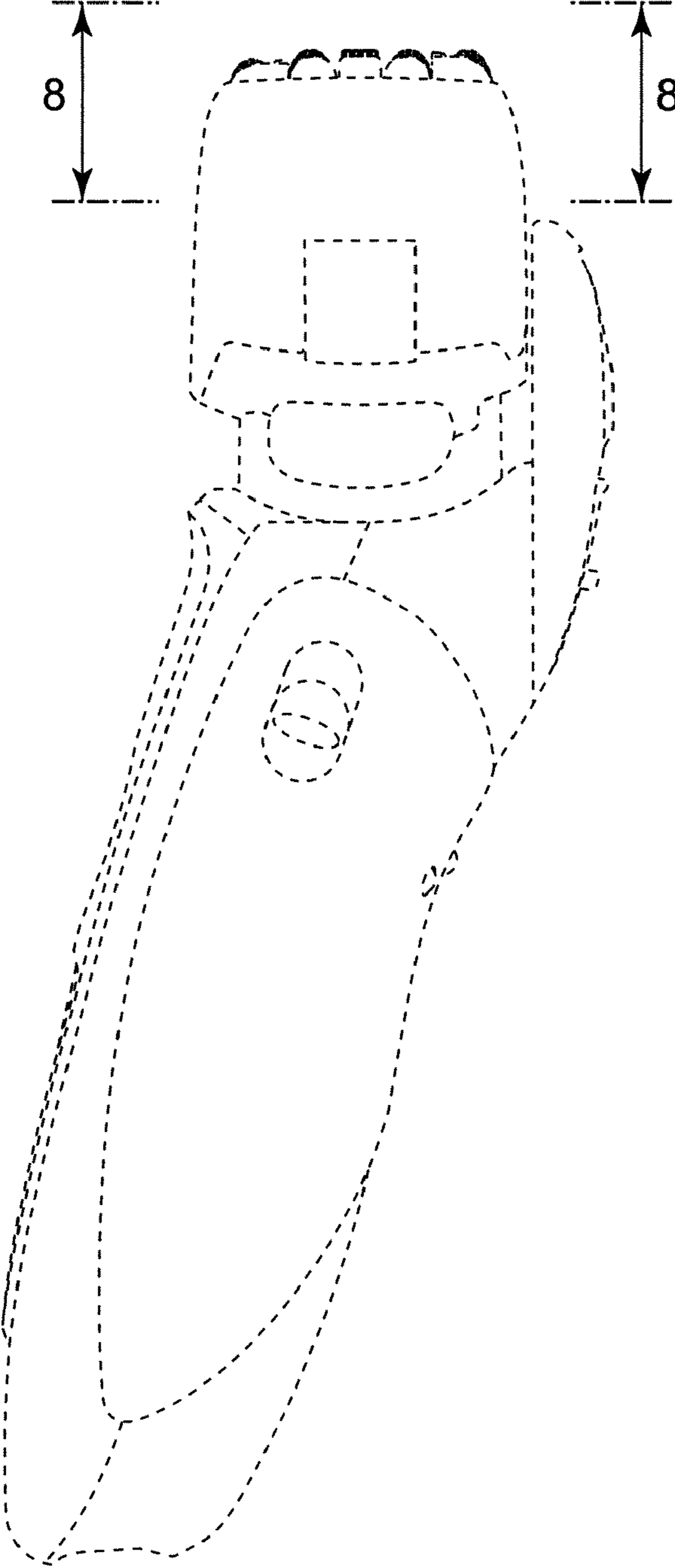


Fig.8

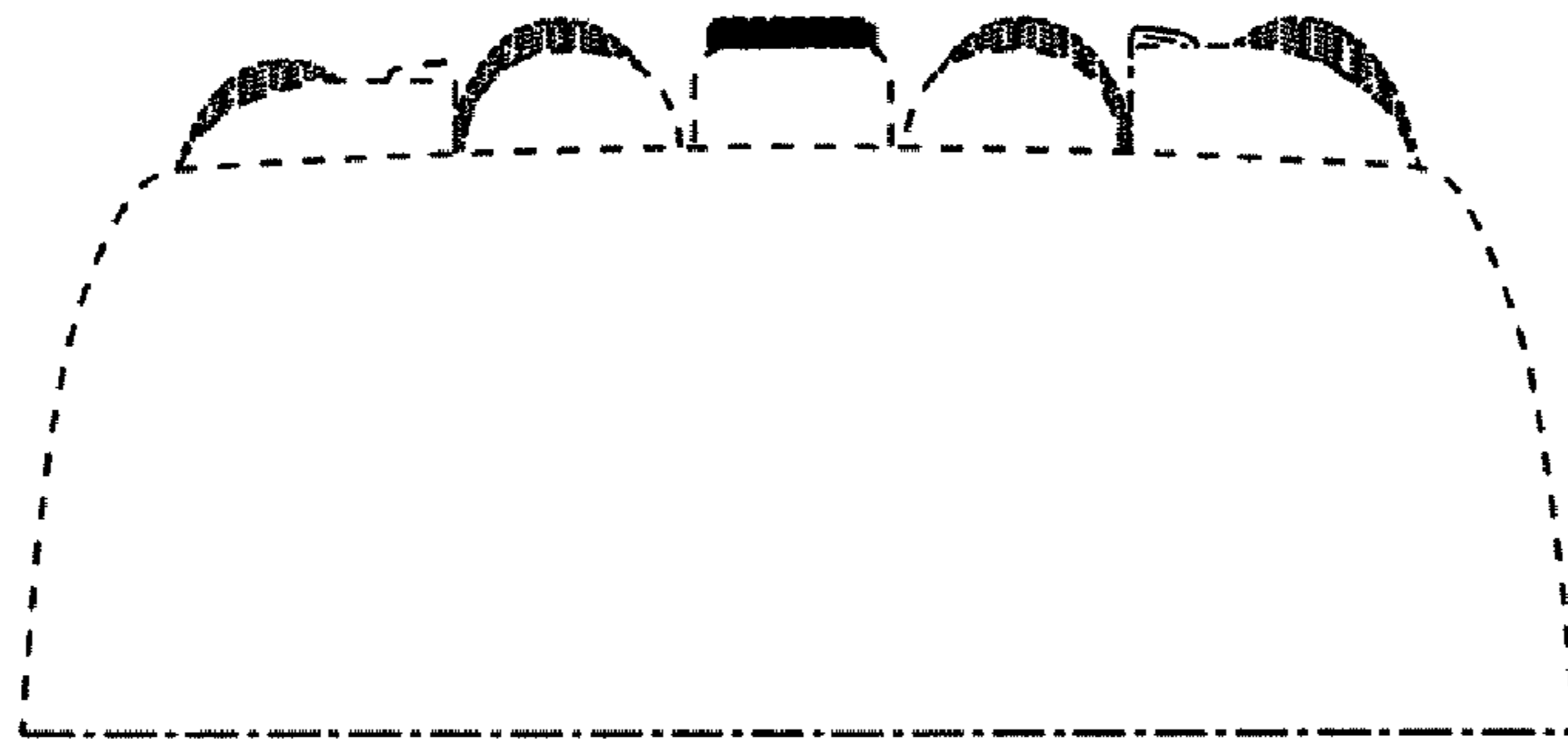


Fig.9

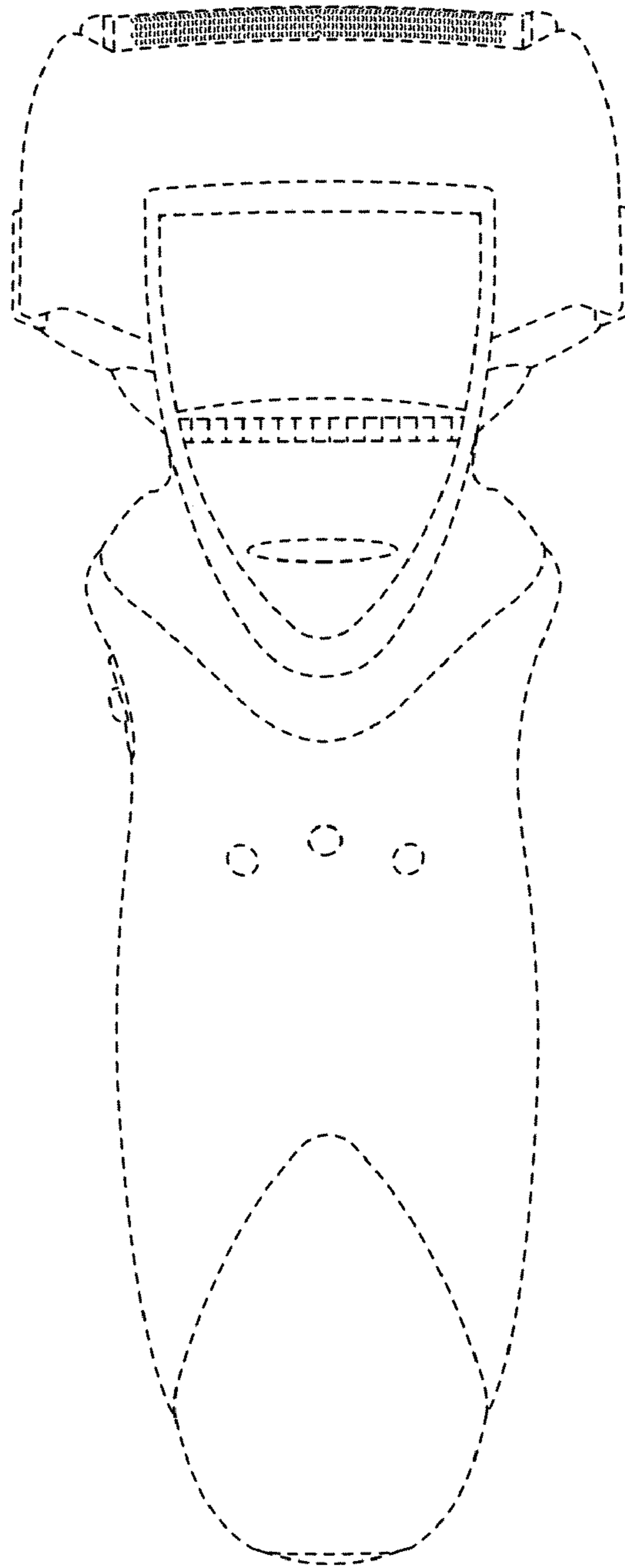


Fig.10

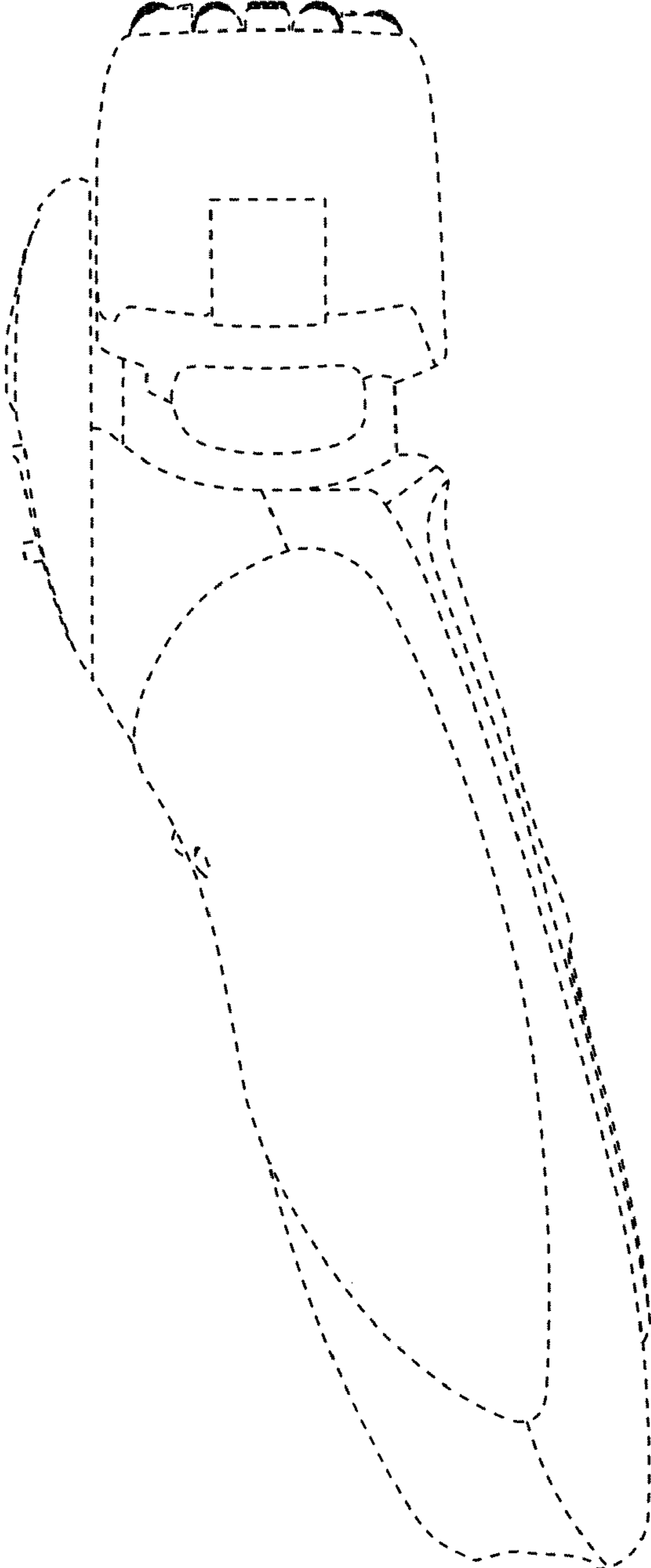


Fig. 11

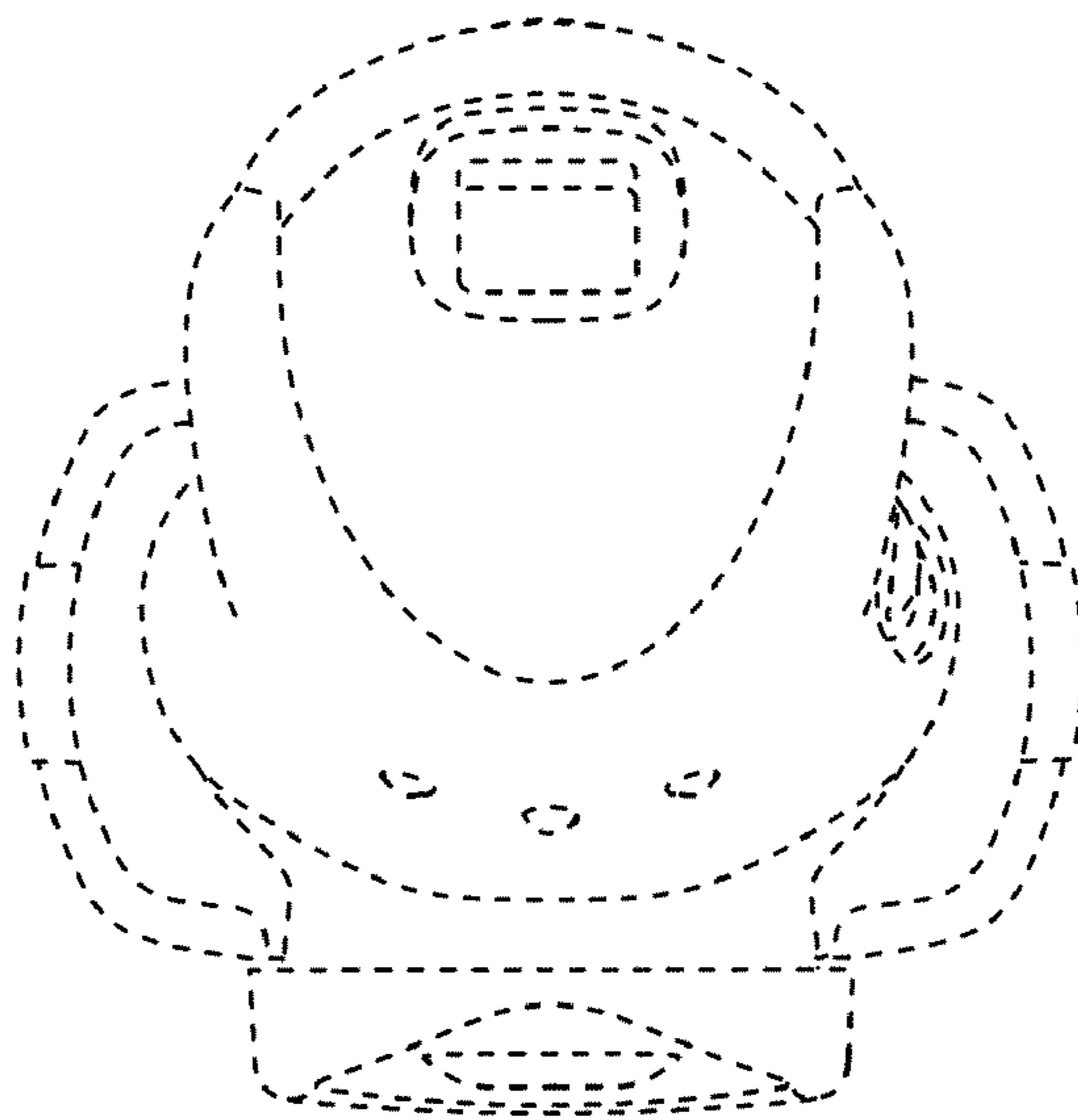


Fig.12

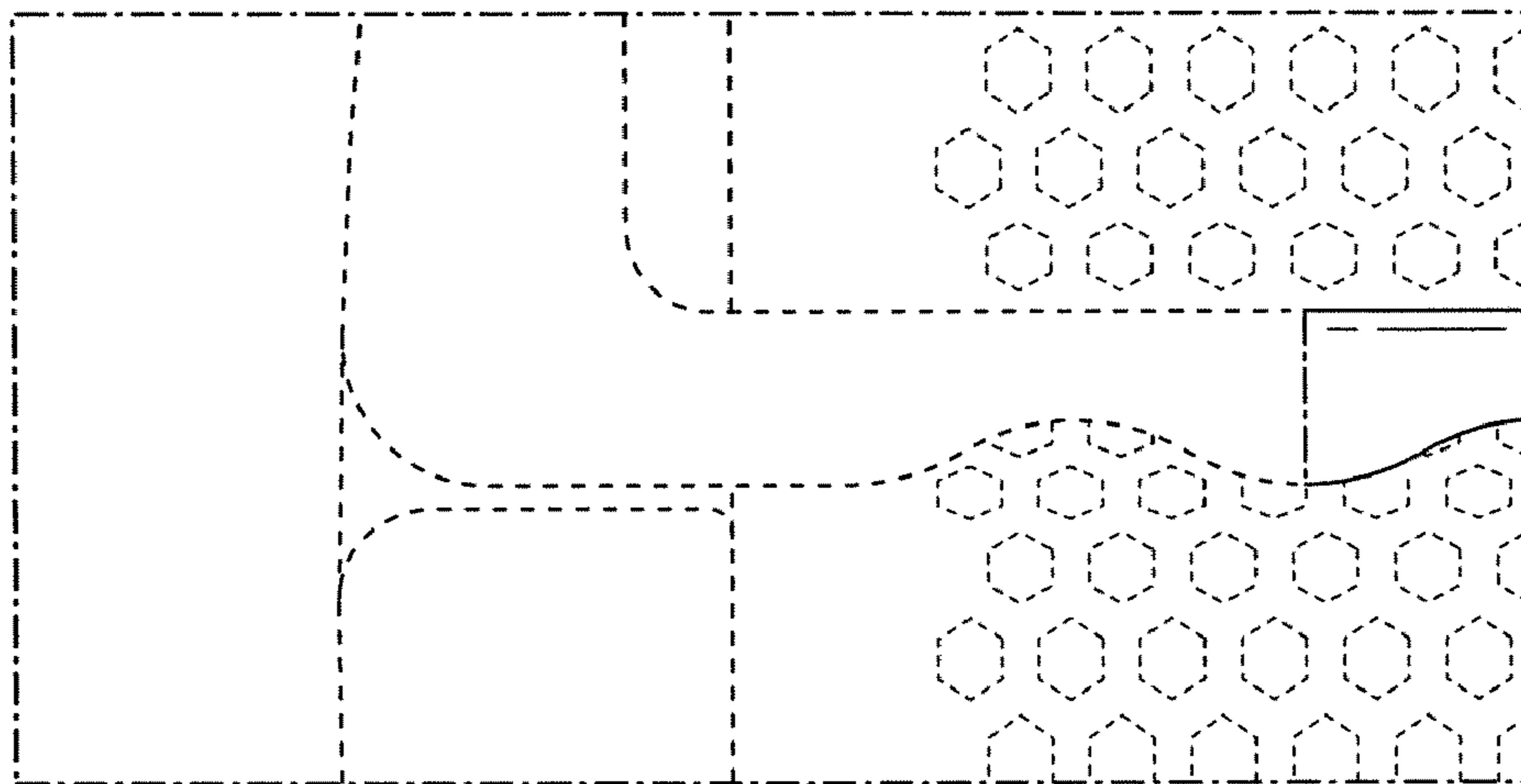


Fig. 13

