



US00D648896S

(12) **United States Design Patent**  
**Ino**

(10) **Patent No.:** **US D648,896 S**

(45) **Date of Patent:** **\*\* Nov. 15, 2011**

(54) **ELECTRIC SHAVER**

(75) Inventor: **Tomoaki Ino**, Yokohama (JP)

(73) Assignee: **Panasonic Electric Works Co., Ltd.**,  
Kadoma-shi (JP)

(\*\*) Term: **14 Years**

(21) Appl. No.: **29/384,181**

(22) Filed: **Jan. 27, 2011**

(30) **Foreign Application Priority Data**

Jul. 27, 2010 (JP) ..... 2010-018161

(51) **LOC (9) Cl.** ..... **28-03**

(52) **U.S. Cl.** ..... **D28/54**

(58) **Field of Classification Search** ..... 30/32, 34.05,  
30/34.1-34.2, 30-31, 43-43.92, 44-45, 47-51,  
30/77-84, 526-541, 346.5-346.61, 194-196,  
30/198-205, 208-216, 233-233.5, 152, 355;  
D8/20; D28/44-44.1, 45-54

See application file for complete search history.

(56) **References Cited**

U.S. PATENT DOCUMENTS

1,527,561	A *	2/1925	Klum	.....	30/169
2,685,734	A *	8/1954	Klein	.....	30/144
4,890,386	A *	1/1990	Collier	.....	30/136
D385,164	S *	10/1997	Hutchins et al.	.....	D8/20
5,724,688	A *	3/1998	Chen	.....	7/128
D455,057	S *	4/2002	Medhurst	.....	D8/20
D481,169	S *	10/2003	Cheung	.....	D28/44
D551,801	S *	9/2007	Ullmann	.....	D28/51
D572,408	S *	7/2008	Nishizawa	.....	D28/49
D587,849	S *	3/2009	Nishizawa	.....	D28/51
D590,542	S *	4/2009	Ullmann	.....	D28/49

2003/0192128	A1 *	10/2003	Rivera	.....	7/128
2007/0001040	A1 *	1/2007	Walters	.....	241/82.5
2008/0066626	A1 *	3/2008	Raichlen et al.	.....	99/421 H
2008/0127497	A1 *	6/2008	Moss et al.	.....	30/355
2008/0263869	A1 *	10/2008	Floescholzer	.....	30/34.1
2009/0183376	A1 *	7/2009	Wang	.....	30/233.5
2009/0236902	A1 *	9/2009	Zibkoff	.....	301/104
2011/0131811	A1 *	6/2011	Hirano	.....	30/30

\* cited by examiner

*Primary Examiner* — Jennifer Rivard

(74) *Attorney, Agent, or Firm* — Marvin A. Motsenbocker;  
Mots Law, PLLC

(57) **CLAIM**

The ornamental design for an electric shaver, as shown and described.

**DESCRIPTION**

FIG. 1 is a front perspective view of an electric shaver;  
FIG. 2 is a top plan view thereof;  
FIG. 3 is an enlarged top plan view thereof;  
FIG. 4 is a front view thereof;  
FIG. 5 is an enlarged front view showing 5-5 portion in FIG. 4.

FIG. 6 is an enlarged sectional view thereof taken along line 6-6 of FIG. 5, in which the internal components are omitted;  
FIG. 7 is a right side view thereof;  
FIG. 8 is an enlarged right side view showing 8-8 portion in FIG. 7;  
FIG. 9 is a rear view thereof;  
FIG. 10 is a left side view thereof; and,  
FIG. 11 is a bottom plan view thereof.

The portions of the article in broken lines are shown for illustrative purposes only and form no part of the claimed design.

**1 Claim, 11 Drawing Sheets**

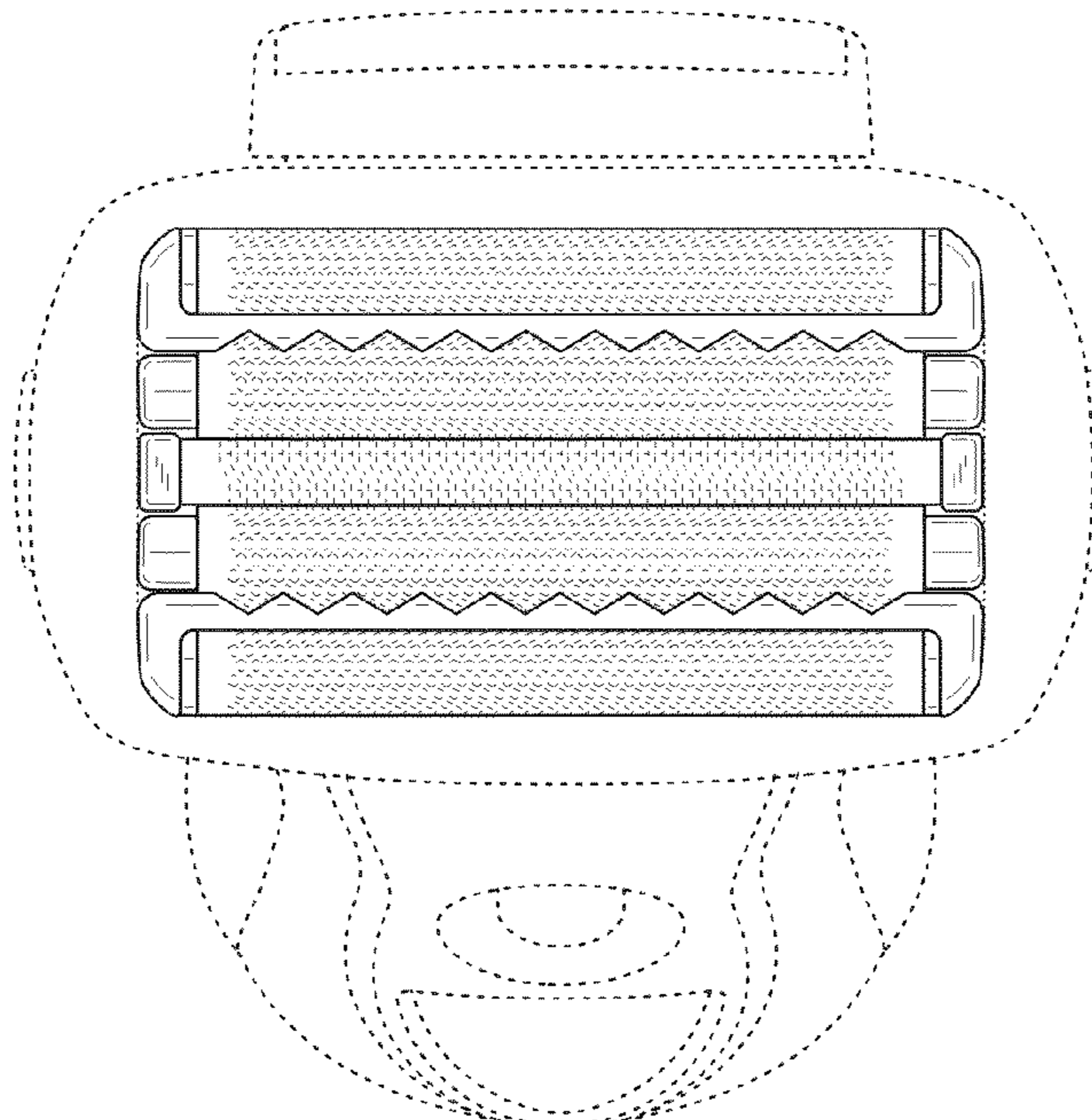
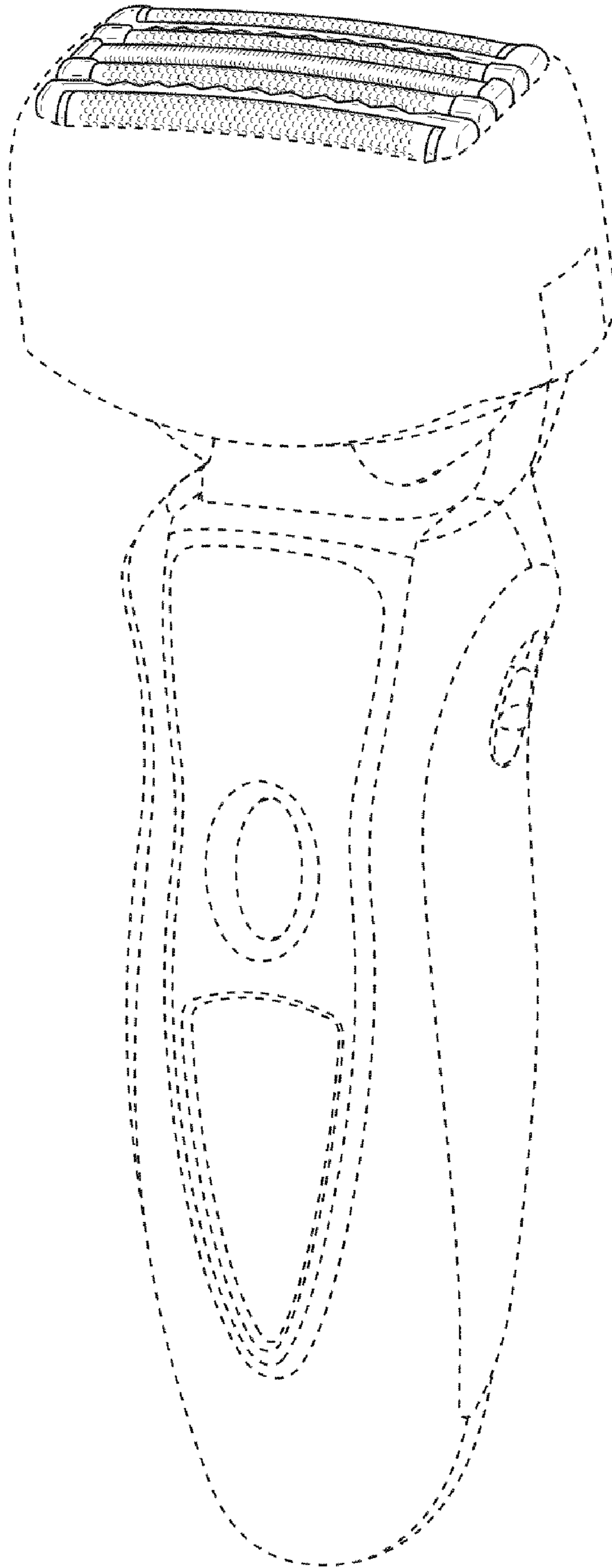


Fig. 1



# Fig.2

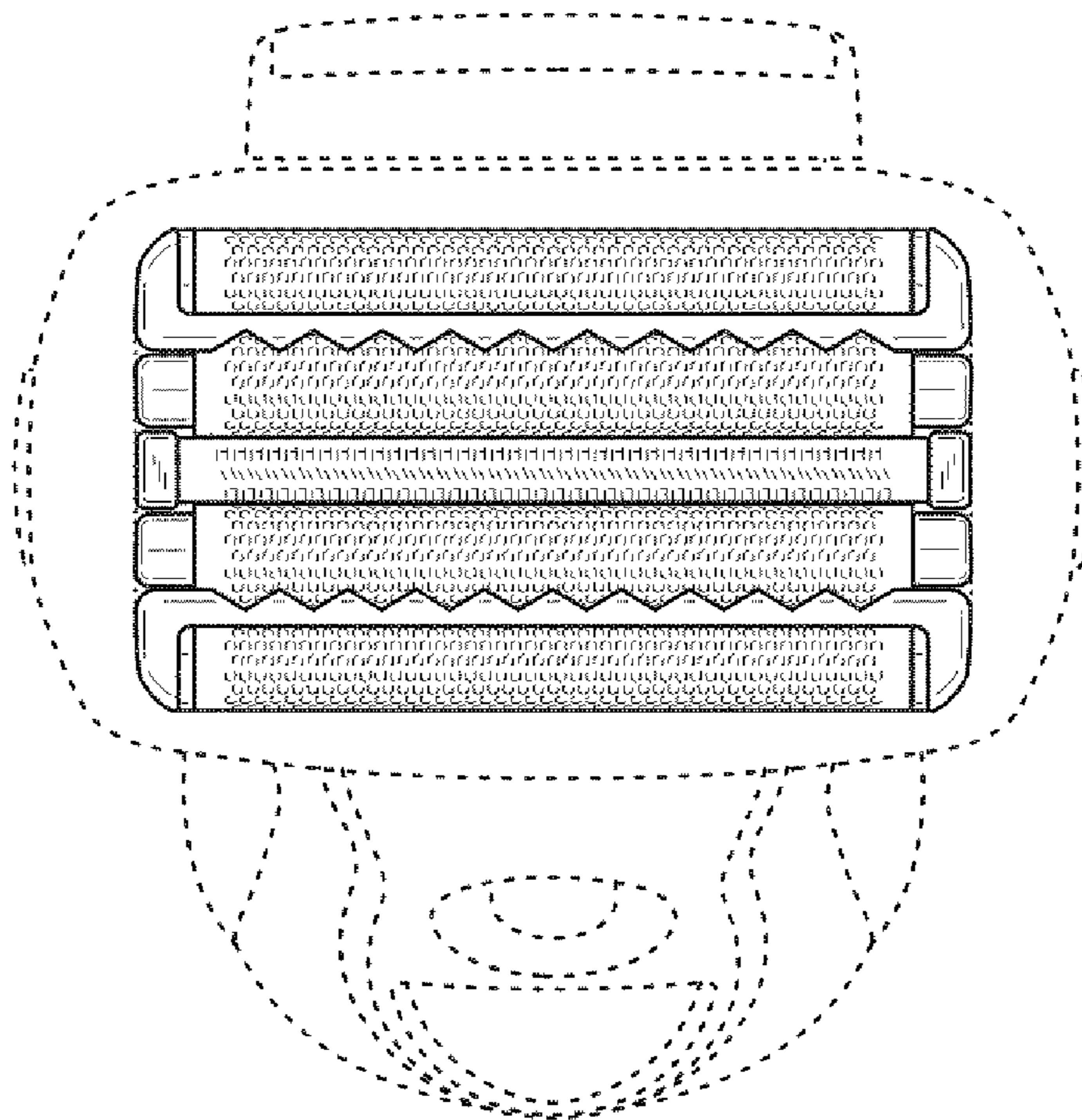


Fig.3

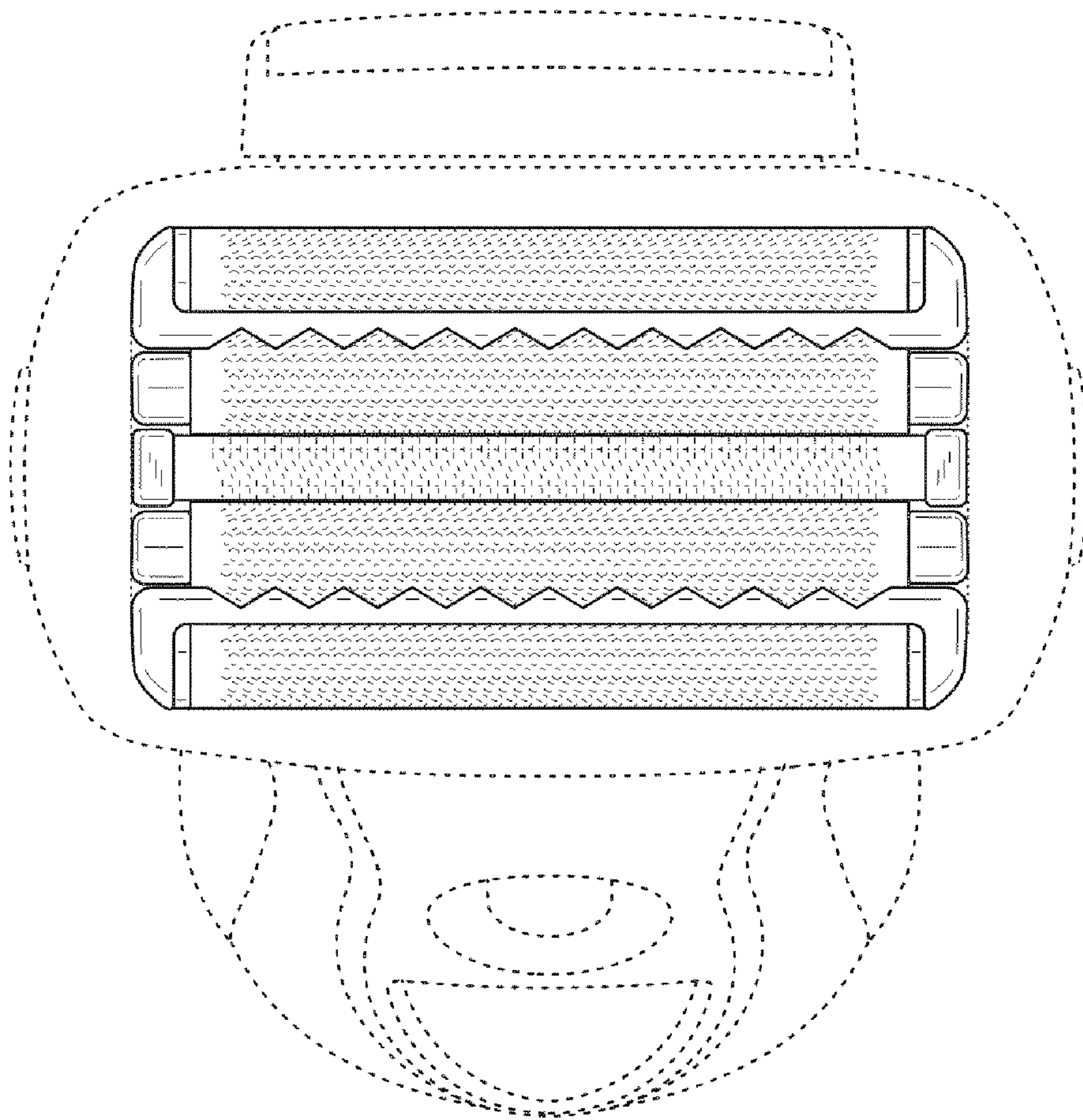


Fig.4

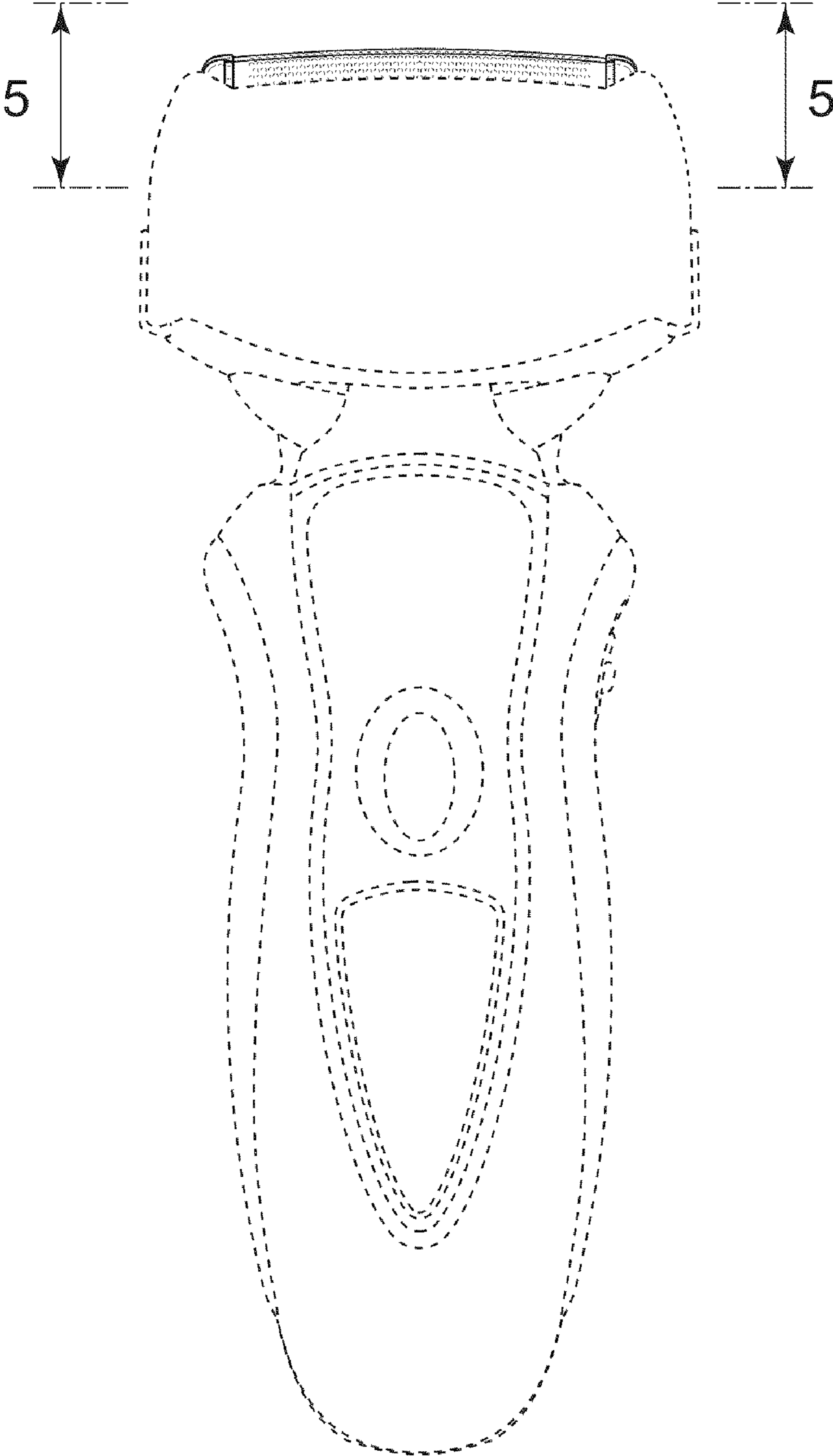


Fig.5

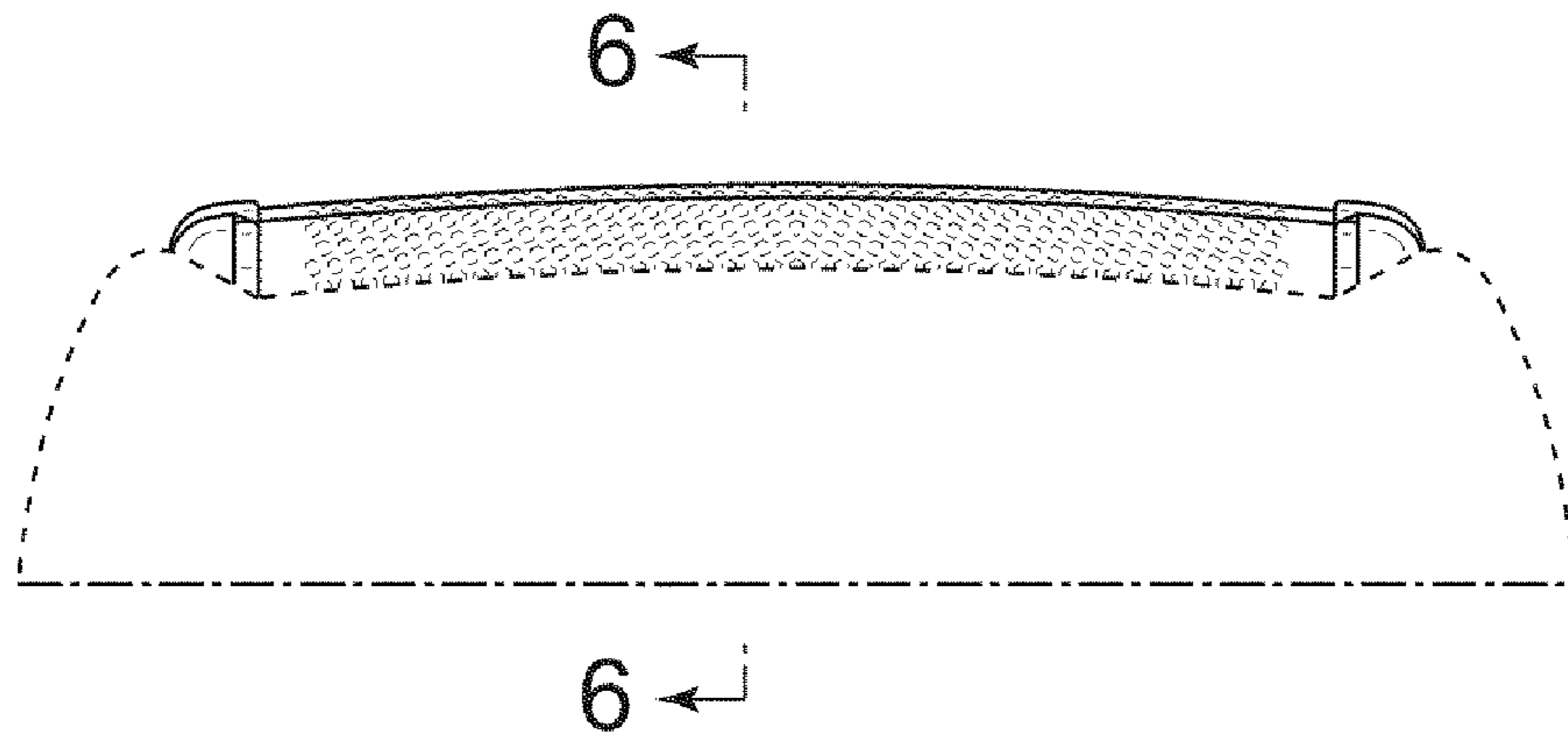


Fig.6

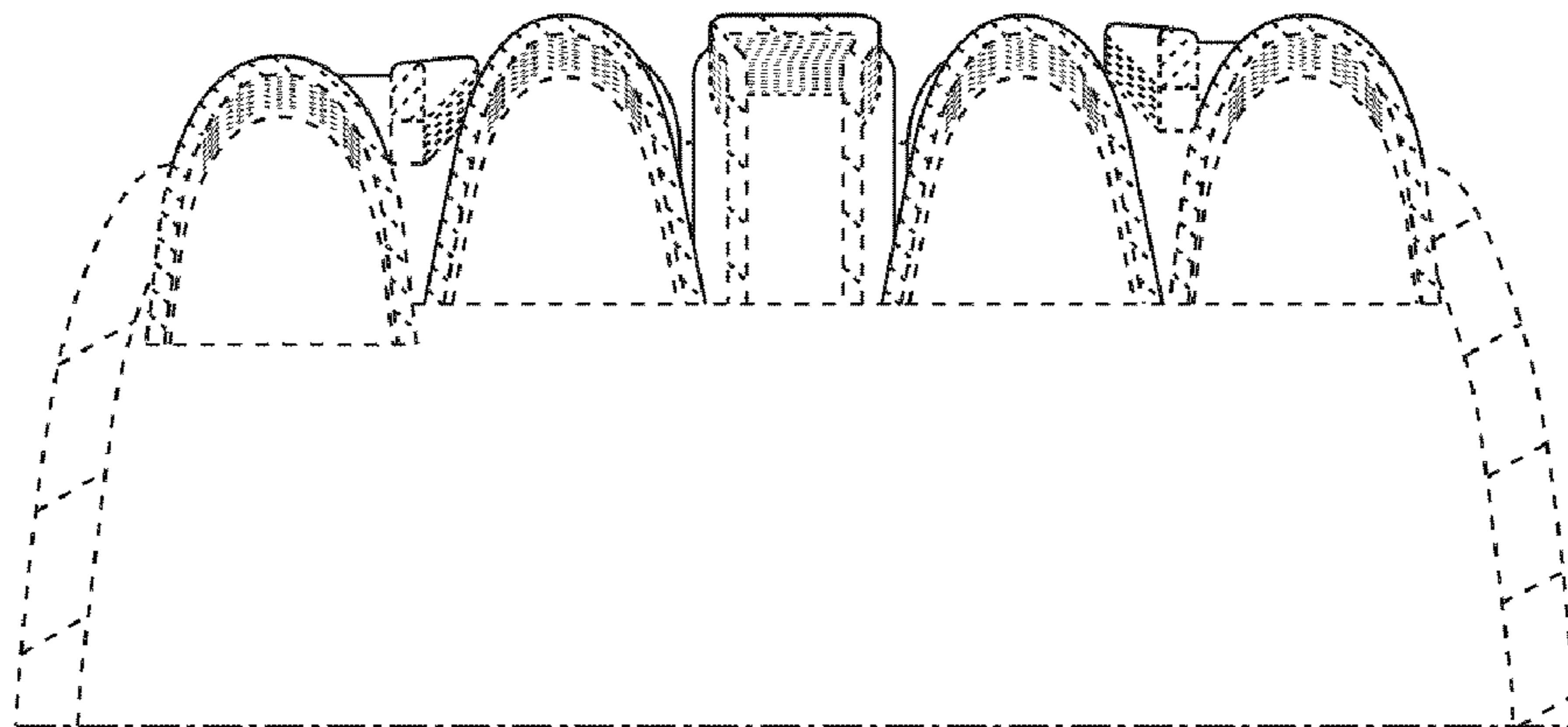


Fig.7

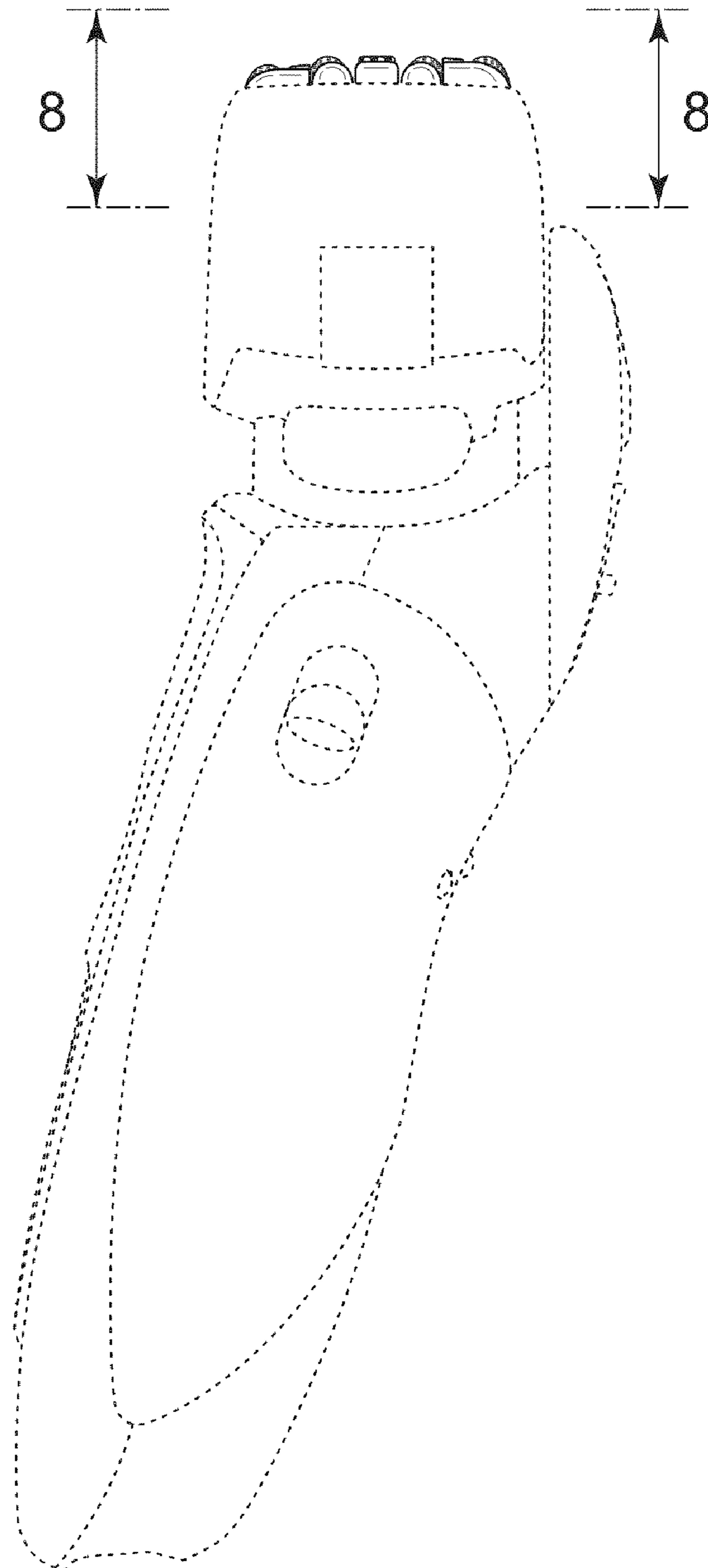




Fig. 8

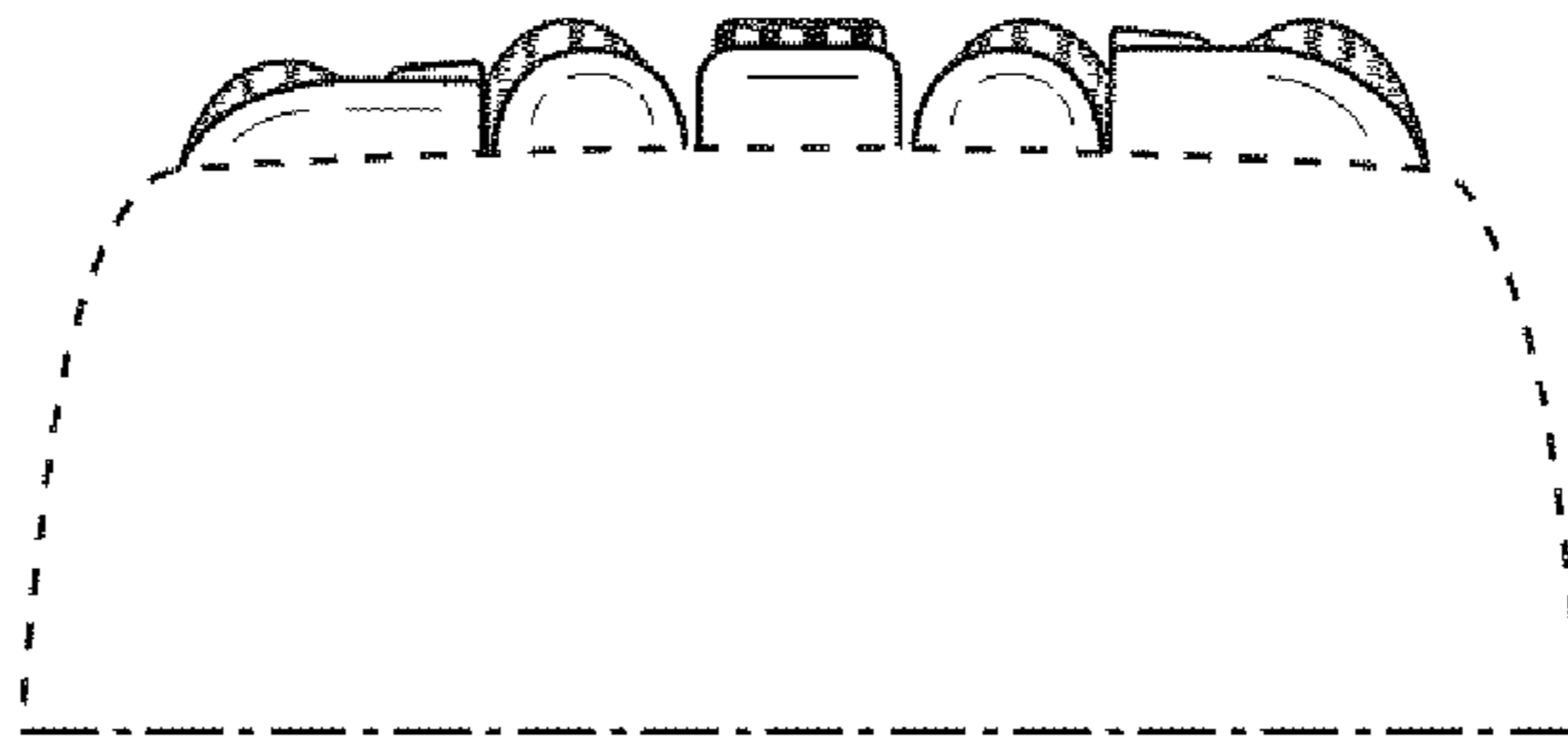


Fig.9

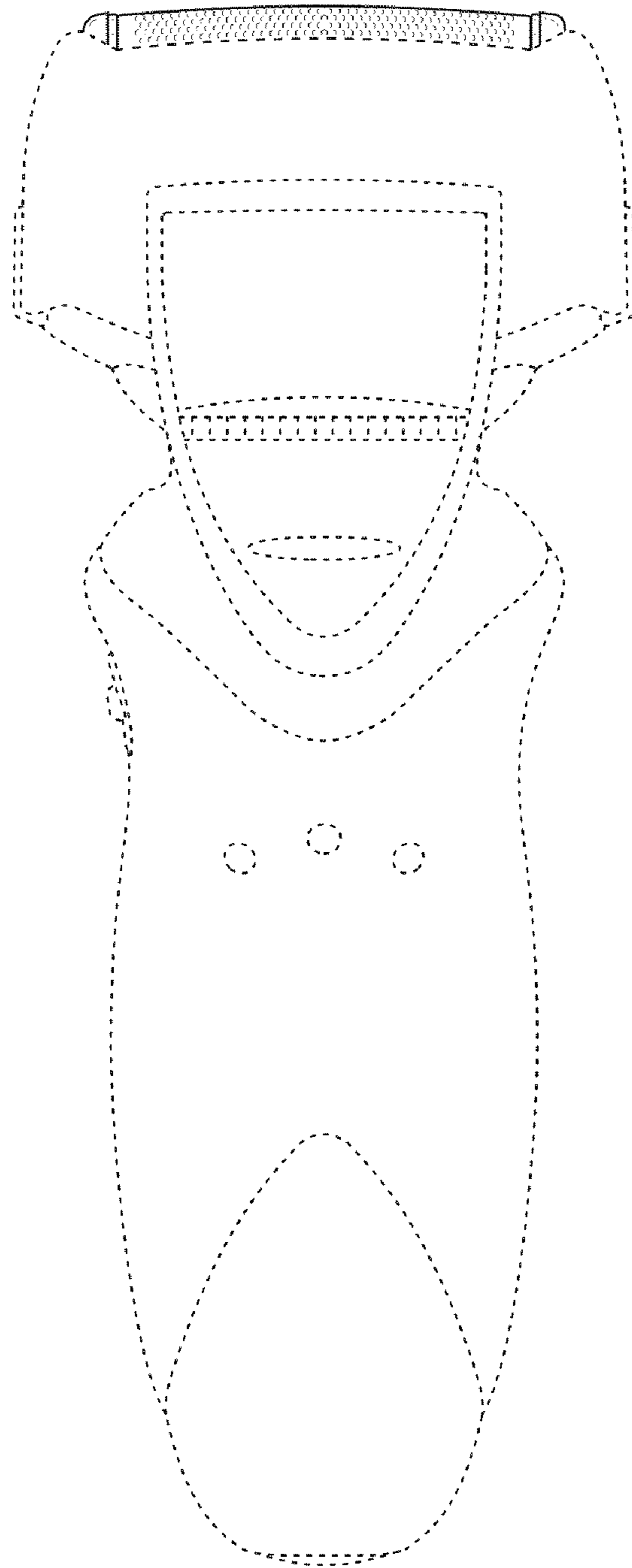


Fig. 10

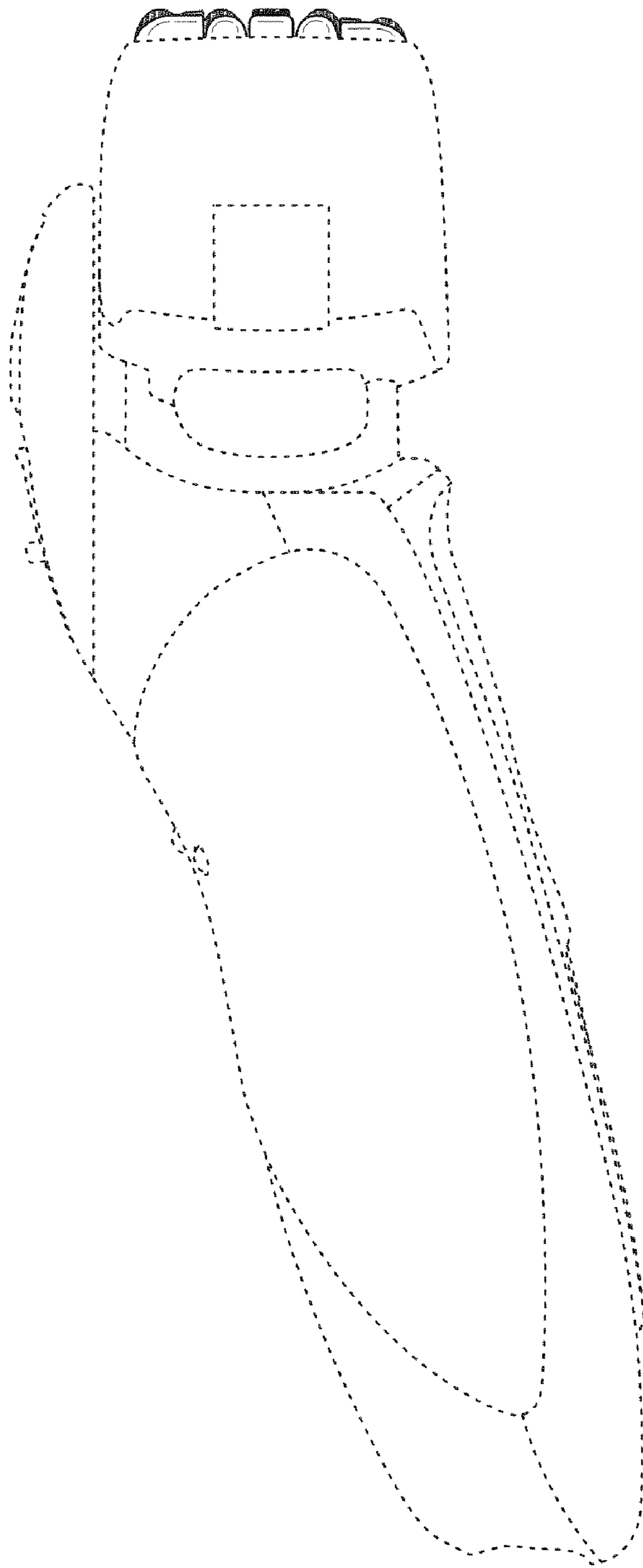


Fig. 11

