



US00D648891S

(12) **United States Design Patent**
Heger

(10) **Patent No.:** **US D648,891 S**

(45) **Date of Patent:** **** Nov. 15, 2011**

(54) **LIGHTER CLIP**

(76) Inventor: **Joshua Heger**, Corona, CA (US)

(**) Term: **14 Years**

(21) Appl. No.: **29/385,454**

(22) Filed: **Feb. 14, 2011**

Related U.S. Application Data

(63) Continuation-in-part of application No. 29/359,939, filed on Apr. 16, 2010, now abandoned.

(51) **LOC (9) Cl.** **27-05**

(52) **U.S. Cl.** **D27/161; D27/172; D27/183**

(58) **Field of Classification Search** D27/172, D27/161, 183; 206/85-89, 236, 240-241; 131/257-260; D3/215; 431/253; 248/316.7
See application file for complete search history.

(56) **References Cited**

U.S. PATENT DOCUMENTS

| | | | | |
|-----------|-----|---------|----------|-----------|
| 433,335 | A * | 7/1890 | Ewen | 131/258 |
| D24,449 | S | 7/1895 | Merritt | |
| D27,375 | S | 7/1897 | Girard | |
| 1,386,494 | A * | 8/1921 | Haney | 131/258 |
| 1,641,517 | A * | 9/1927 | Yessaian | 131/258 |
| 1,731,574 | A * | 10/1929 | House | 131/258 |
| 1,780,936 | A * | 11/1930 | Nurnberg | 131/259 |
| 1,834,569 | A * | 12/1931 | Babor | 131/258 |
| 1,906,003 | A * | 4/1933 | Green | 131/258 |
| D118,735 | S * | 1/1940 | Feigel | D27/183 |
| D133,226 | S * | 7/1942 | Wilson | D27/183 |
| D135,700 | S * | 5/1943 | Bock | D27/183 |
| D156,593 | S * | 12/1949 | Angerer | D27/183 |
| 2,767,718 | A * | 10/1956 | Hedrick | 131/258 |
| 2,998,014 | A * | 8/1961 | McKay | 131/258 |
| D206,312 | S | 11/1966 | Roberts | |
| 3,689,687 | A * | 9/1972 | Bosch | 248/206.5 |
| D231,413 | S | 4/1974 | Sopuch | |
| D253,252 | S | 10/1979 | Estep | |
| D285,362 | S | 8/1986 | Boone | |

| | | | | |
|-----------|------|---------|---------------|-----------|
| 4,616,113 | A | 10/1986 | Jank et al. | |
| 4,745,661 | A | 5/1988 | Wainscott | |
| 4,898,532 | A | 2/1990 | Bercik | |
| 4,927,354 | A | 5/1990 | Sanford | |
| D311,600 | S * | 10/1990 | Peracca | D27/183 |
| D402,401 | S | 12/1998 | Duke | |
| D404,521 | S | 1/1999 | Pituck | |
| D408,582 | S | 4/1999 | Varn | |
| 6,050,268 | A * | 4/2000 | San Filippo | 131/257 |
| D443,387 | S | 6/2001 | Torres et al. | |
| 6,341,609 | B1 | 1/2002 | Morris | |
| 6,364,131 | B1 * | 4/2002 | Moylan | 248/316.7 |
| D471,005 | S | 3/2003 | Hastings | |
| D471,316 | S | 3/2003 | Budde | |
| D495,348 | S | 8/2004 | Brasseur | |
| D516,241 | S | 2/2006 | Gaines et al. | |
| D526,743 | S | 8/2006 | Battista, III | |

(Continued)

Primary Examiner — Jennifer Rivard

(74) *Attorney, Agent, or Firm* — QuickPatents, Inc.; Kevin Prince

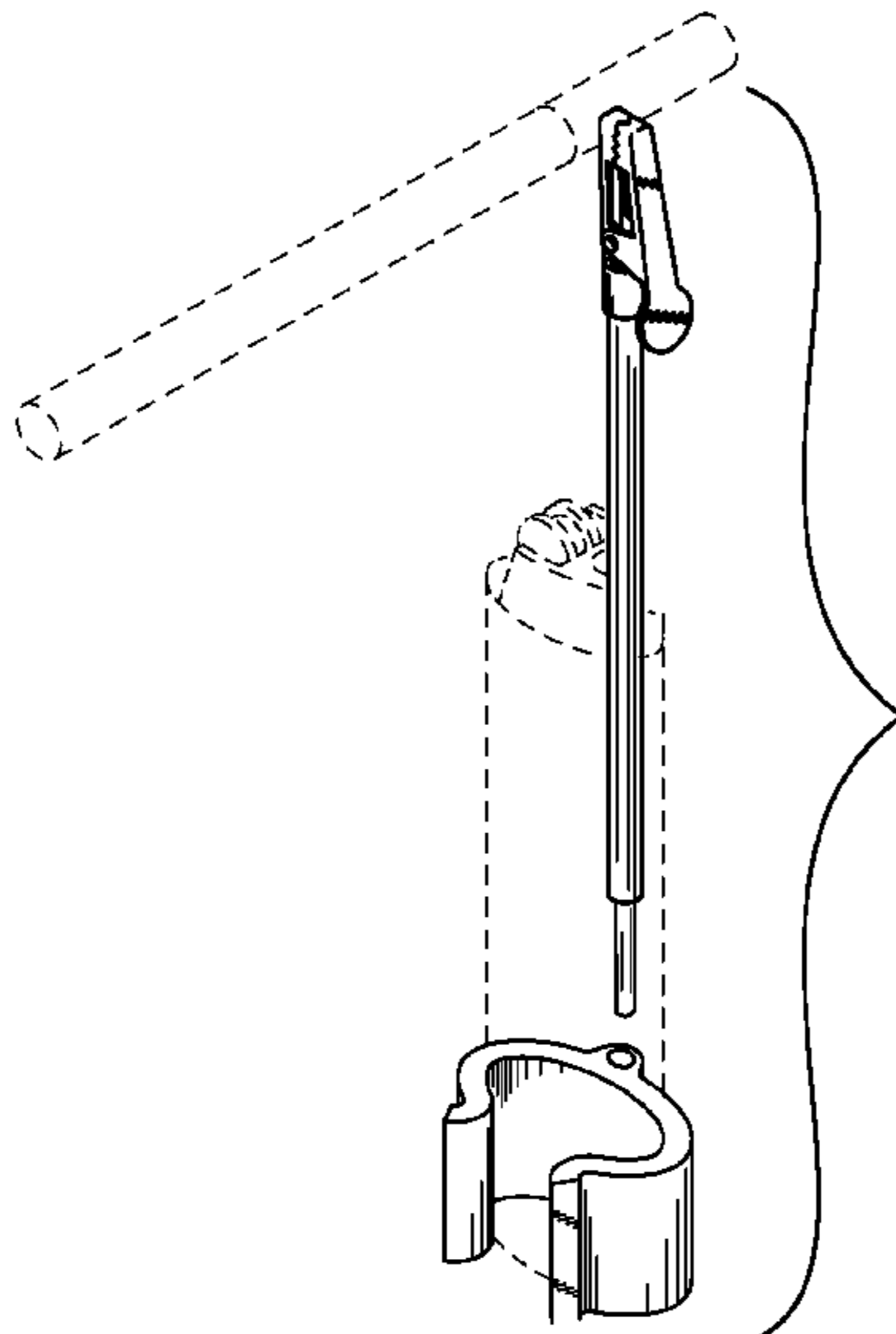
(57) **CLAIM**

What is claimed is the ornamental design for a lighter clip, as shown and described.

DESCRIPTION

FIG. 1 is an exploded perspective view of a lighter clip, showing the new design in a straight configuration; FIG. 2 is a front elevational view thereof; FIG. 3 is a rear elevational view of FIG. 2; FIG. 4 is a front elevational view thereof, illustrated in a bent configuration; FIG. 5 is a left-side elevational view of FIG. 2; FIG. 6 is a right-side elevational view of FIG. 2; FIG. 7 is a top plan view of FIG. 2; and, FIG. 8 is a bottom plan view of FIG. 2. The broken lines showing a cigarette and lighter in FIG. 1 are included for the purpose of illustrating the invention in use, and form no part of the claimed design.

1 Claim, 2 Drawing Sheets



US D648,891 S

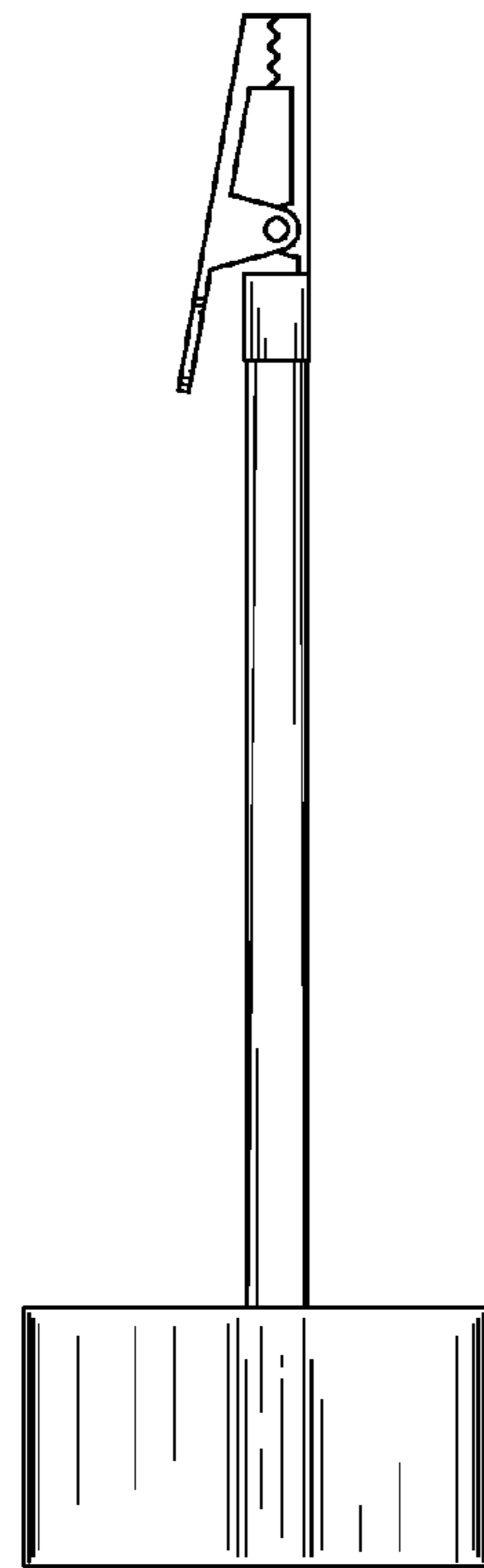
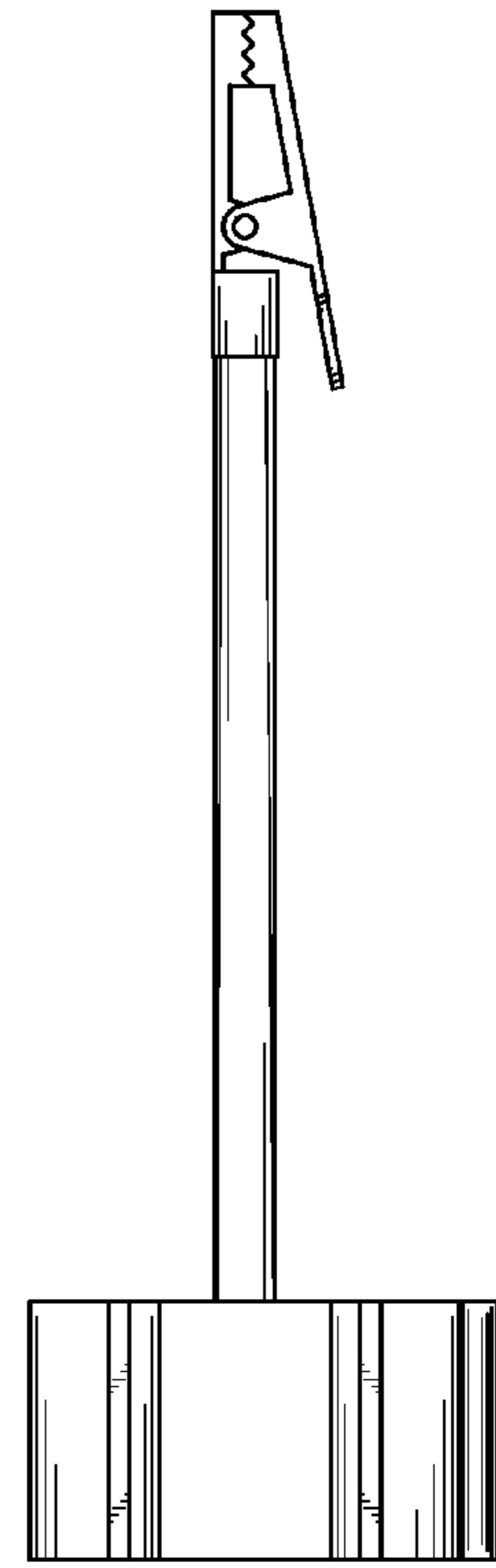
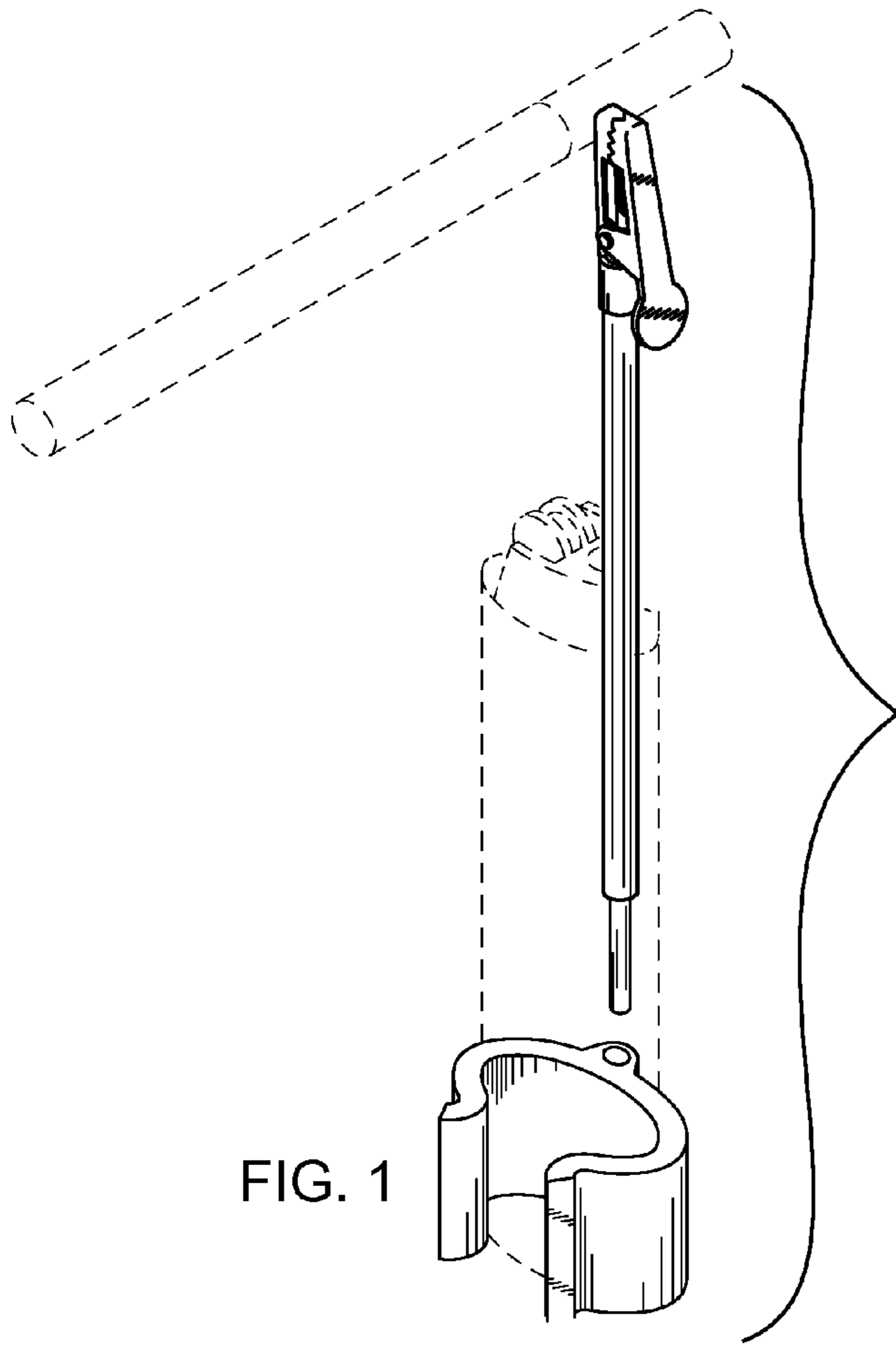
Page 2

U.S. PATENT DOCUMENTS

D552,791 S 10/2007 Toffler
D571,647 S 6/2008 La Quay et al.

7,387,127 B1* 6/2008 Braun 131/257
2006/0266374 A1* 11/2006 Nyborg et al. 131/258

* cited by examiner



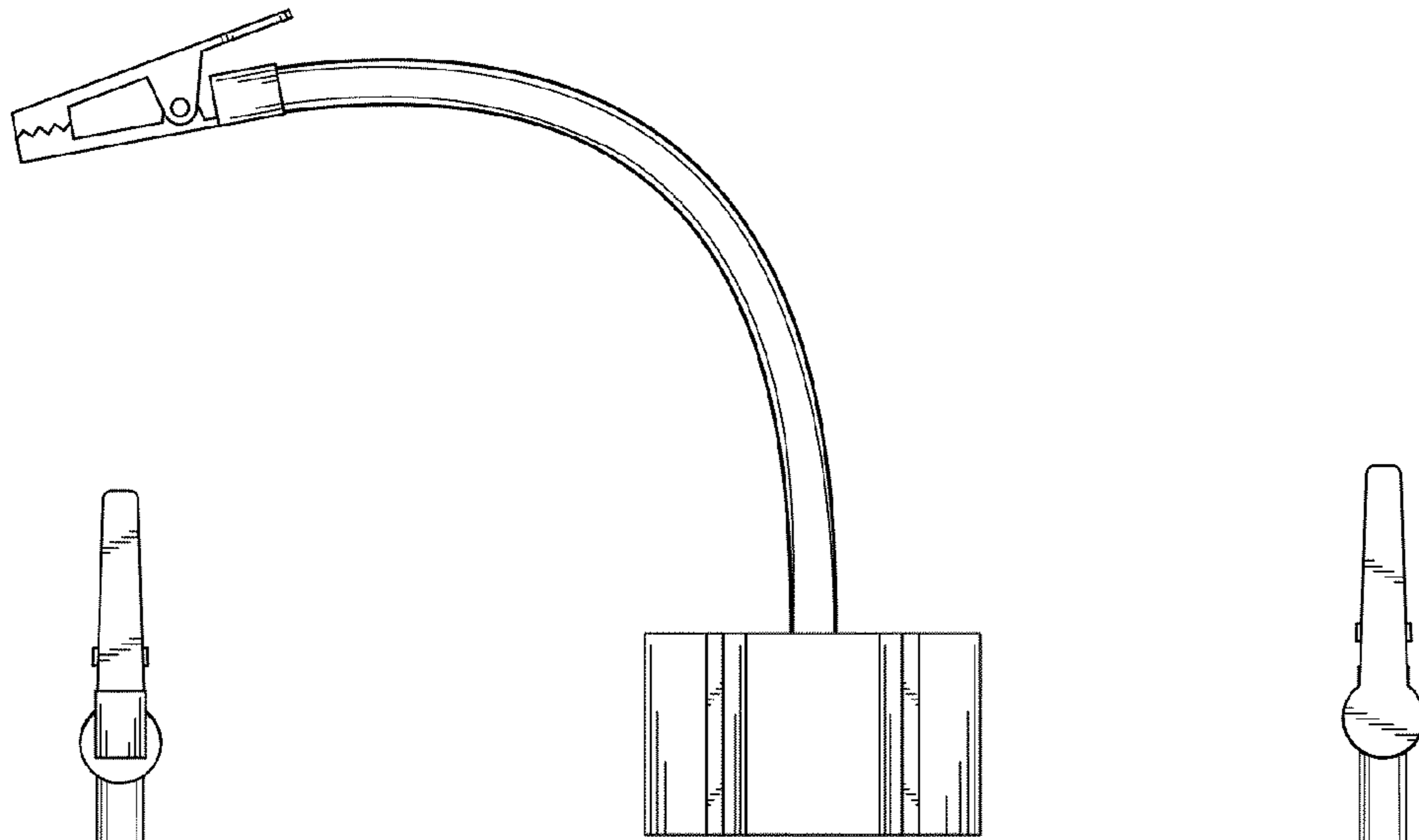


FIG. 4

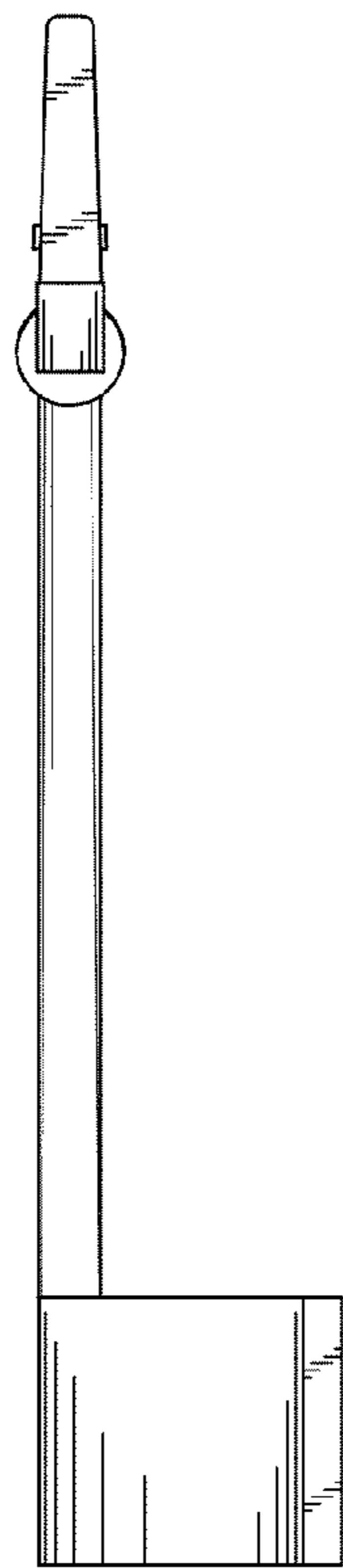


FIG. 5

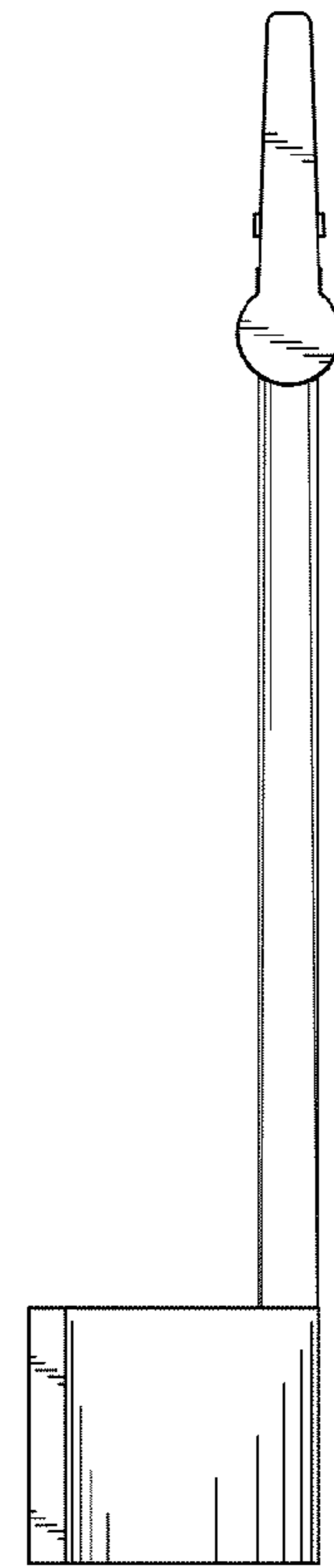


FIG. 6

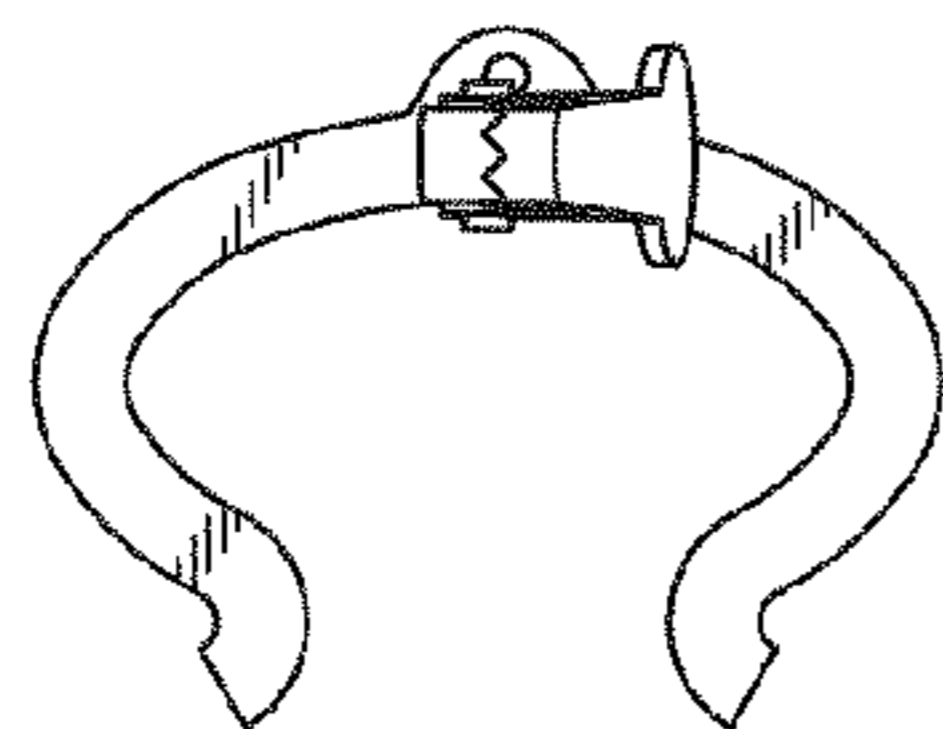


FIG. 7

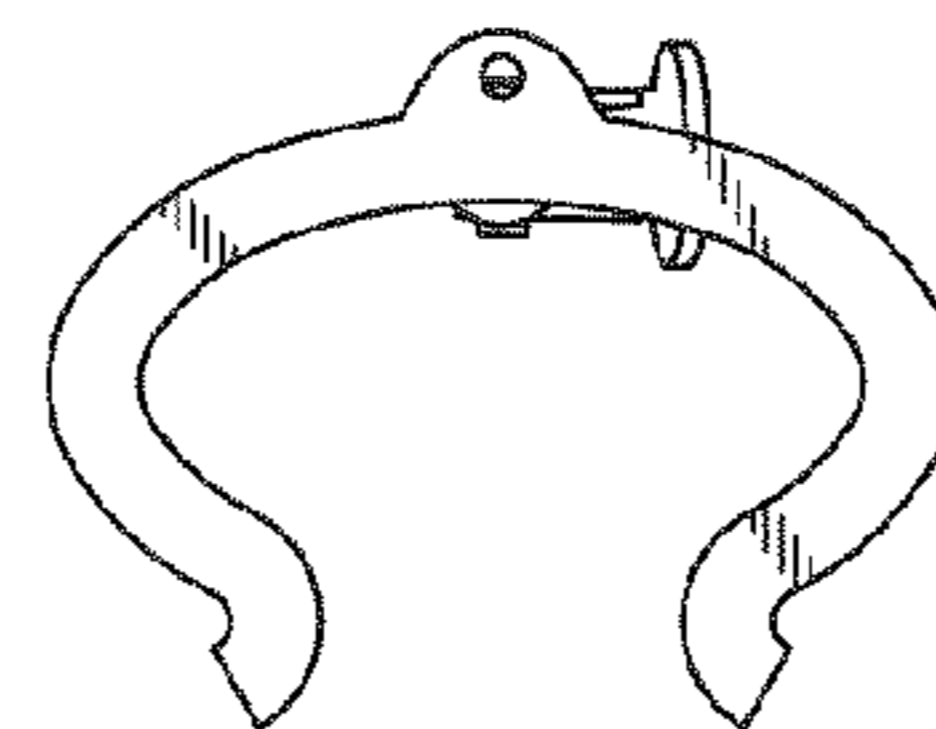


FIG. 8