



US00D648890S

(12) **United States Design Patent**  
**Restel et al.**

(10) **Patent No.:** **US D648,890 S**

(45) **Date of Patent:** **\*\* Nov. 15, 2011**

(54) **BASE FOR LAMP WITH SUPPLEMENTAL RECESSED LIGHT**

(75) Inventors: **Carrie Ann Restel**, Lake Worth, FL (US); **Arnold Corydon Meyer**, Bonita Springs, FL (US)

(73) Assignee: **Evolution Lighting, LLC**, Miami Lakes, FL (US)

(\*\*) Term: **14 Years**

(21) Appl. No.: **29/390,017**

(22) Filed: **Apr. 19, 2011**

(51) **LOC (9) Cl.** ..... **26-99**

(52) **U.S. Cl.** ..... **D26/113**

(58) **Field of Classification Search** ..... D26/81, D26/85, 86, 68, 76, 72, 118, 120, 138, 155, D26/113, 121, 122, 124, 128, 130, 142, 84, D26/3, 80, 24, 2, 65, 63, 60, 62, 70, 71, 87, D26/74, 137, 61, 152, 153, 154, 141, 145, D26/82, 83, 93, 134; 362/407, 368, 92, 555, 362/545, 413, 367, 102, 147, 365, 366, 364, 362/371, 327, 405; 165/80.3, 104.33, 104.21; D13/178, 180, 133, 146, 136, 134; 248/303; D8/370, 367, 354; D25/126, 38; D6/549, D6/524; 439/232, 241, 236, 242  
See application file for complete search history.

(56) **References Cited**

U.S. PATENT DOCUMENTS

D346,459 S \* 4/1994 King ..... D26/84  
D406,670 S \* 3/1999 Yeh ..... D26/74  
D454,967 S \* 3/2002 Brown et al. .... D26/37

D459,515 S \* 6/2002 Gaskins et al. .... D26/67  
D475,801 S \* 6/2003 Stewart ..... D26/67  
6,682,204 B2 \* 1/2004 Mullally et al. .... 362/235  
D487,529 S \* 3/2004 Kowitz ..... D26/85  
7,063,433 B2 \* 6/2006 Pape et al. .... 362/102  
D540,485 S \* 4/2007 Waedeled ..... D26/70  
D544,988 S \* 6/2007 Benensohn ..... D26/89  
D564,687 S \* 3/2008 Bucher et al. .... D26/60  
D567,424 S \* 4/2008 St-Pierre et al. .... D26/67  
D585,580 S \* 1/2009 Riffel et al. .... D26/72  
D607,597 S \* 1/2010 Choi ..... D26/80  
7,695,153 B2 \* 4/2010 Tsai ..... 362/102  
D626,272 S \* 10/2010 Verelst ..... D26/85

\* cited by examiner

*Primary Examiner* — Cathron Brooks

*Assistant Examiner* — Kevin Rudzinski

(74) *Attorney, Agent, or Firm* — Michael C. Cesarano; Feldman Gale, P.A.

(57) **CLAIM**

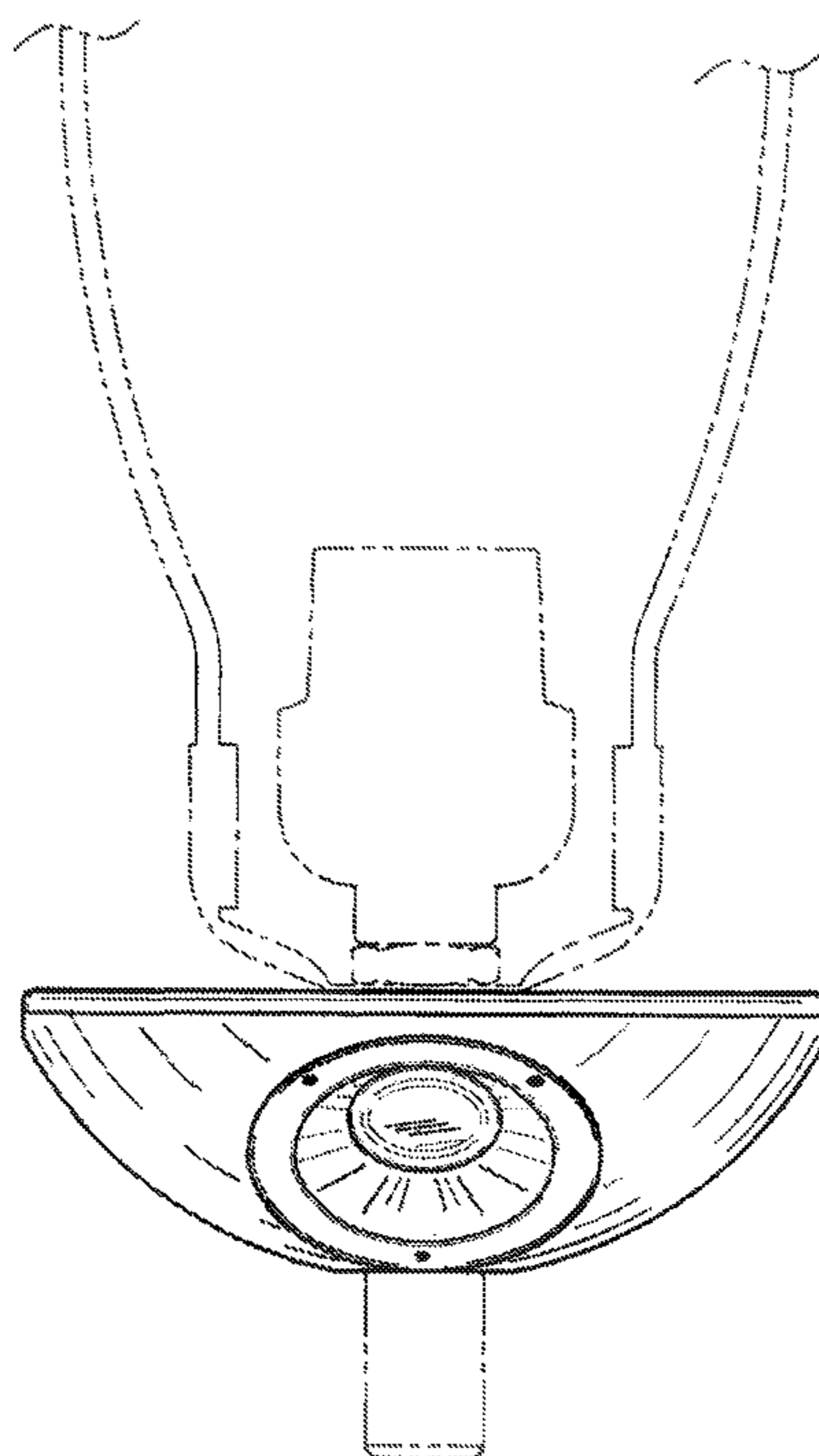
The ornamental design for a “base for lamp with supplemental recessed light,” as shown and described.

**DESCRIPTION**

FIG. 1 is a front view of the design of a base for lamp with supplemental recessed light;  
FIG. 2 is a rear view thereof;  
FIG. 3 is a right side view thereof;  
FIG. 4 is a left side view thereof;  
FIG. 5 is a top view thereof; and,  
FIG. 6 is a bottom view thereof.

The broken lines shown in the drawings are included for the purpose of illustrating unclaimed environmental structure and form no part of the claimed design.

**1 Claim, 6 Drawing Sheets**



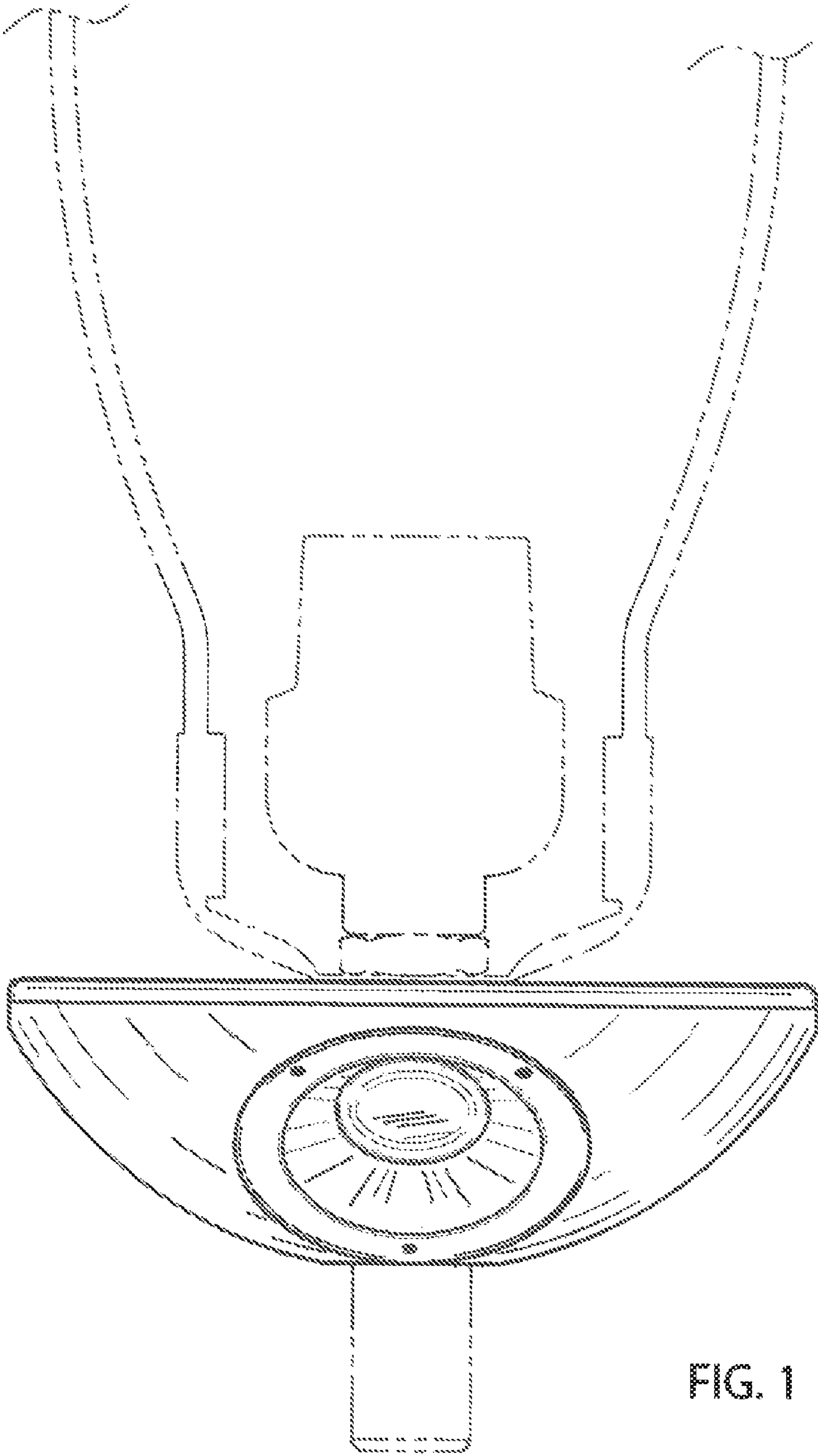


FIG. 1

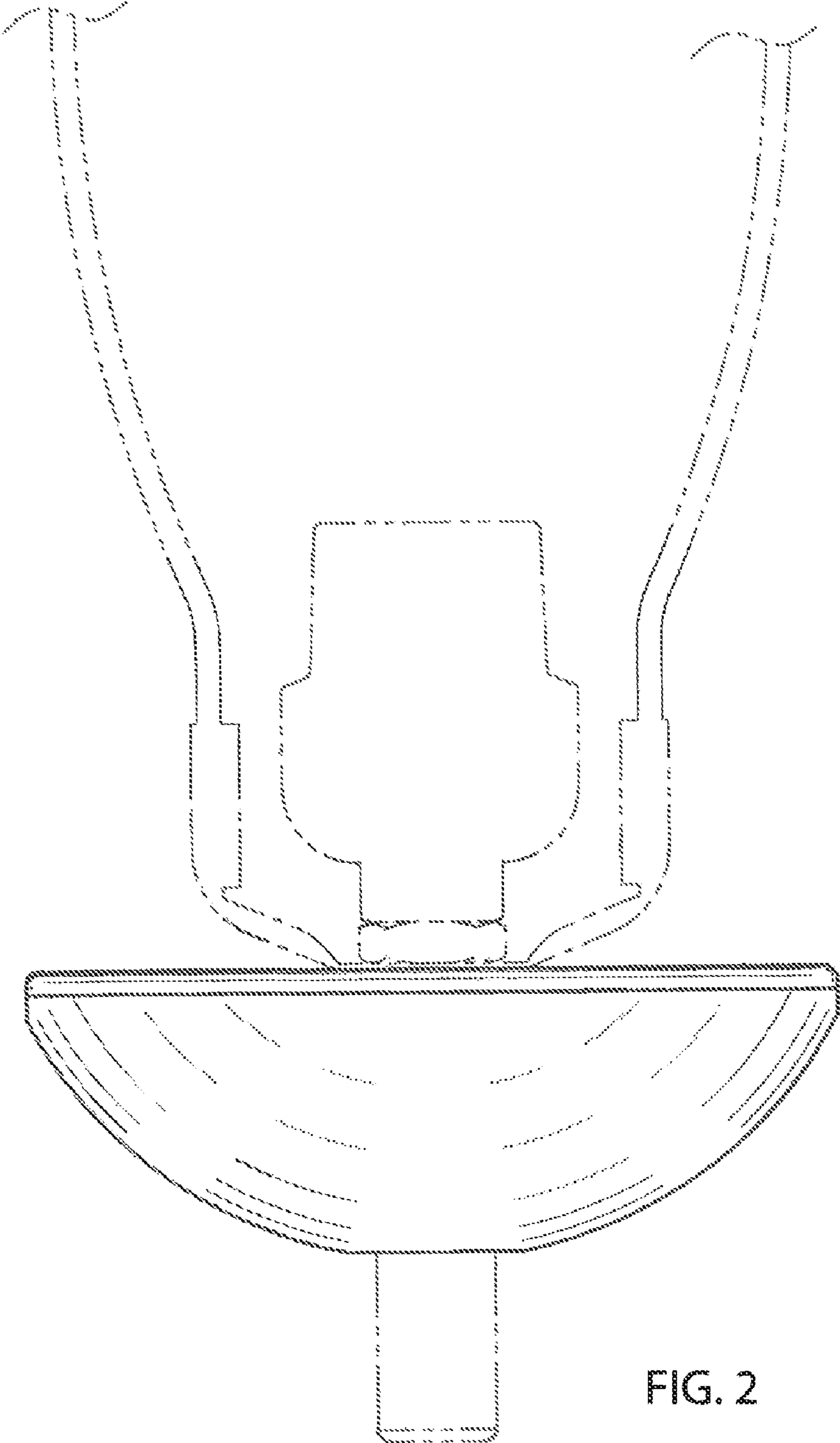


FIG. 2

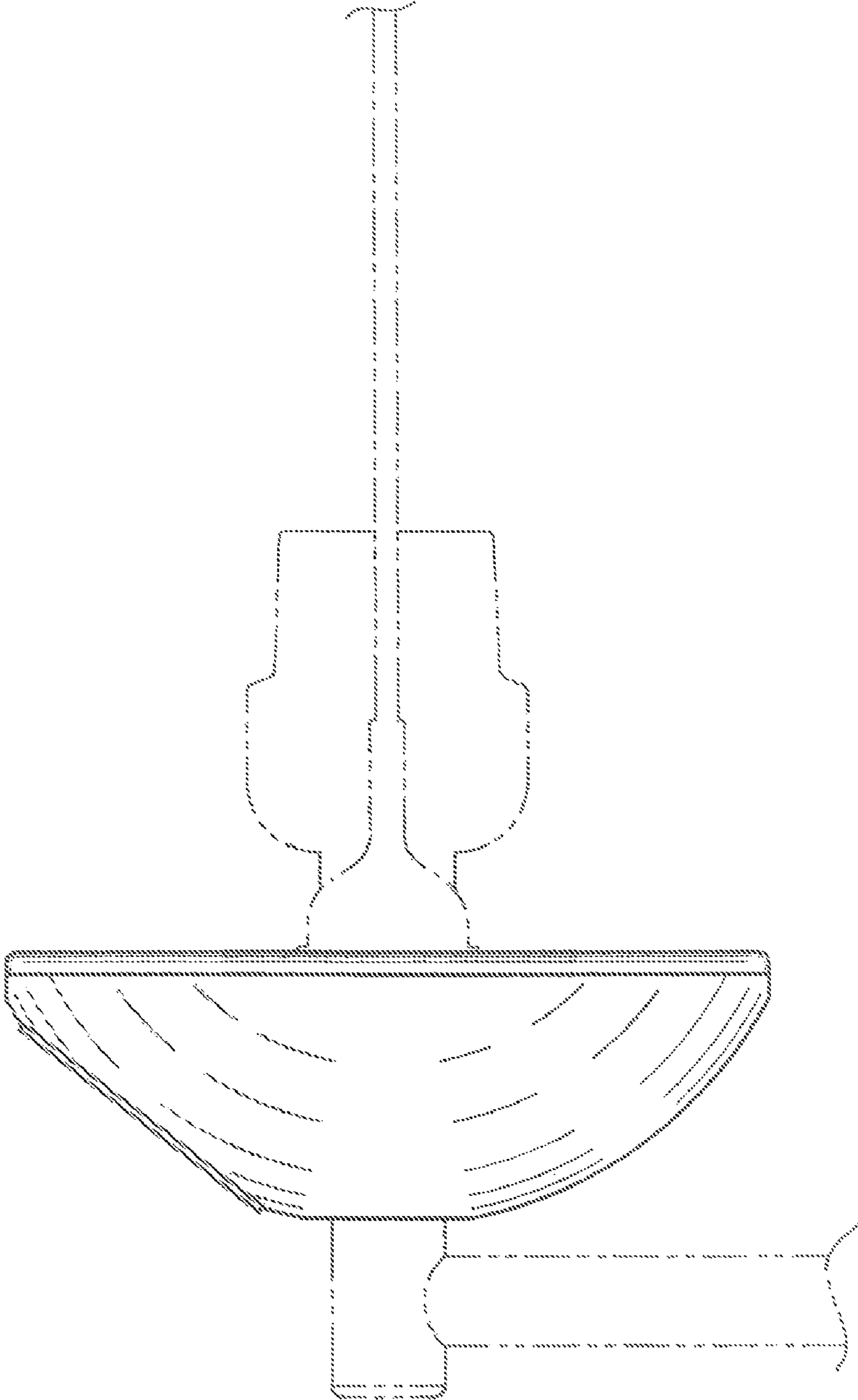


FIG. 3

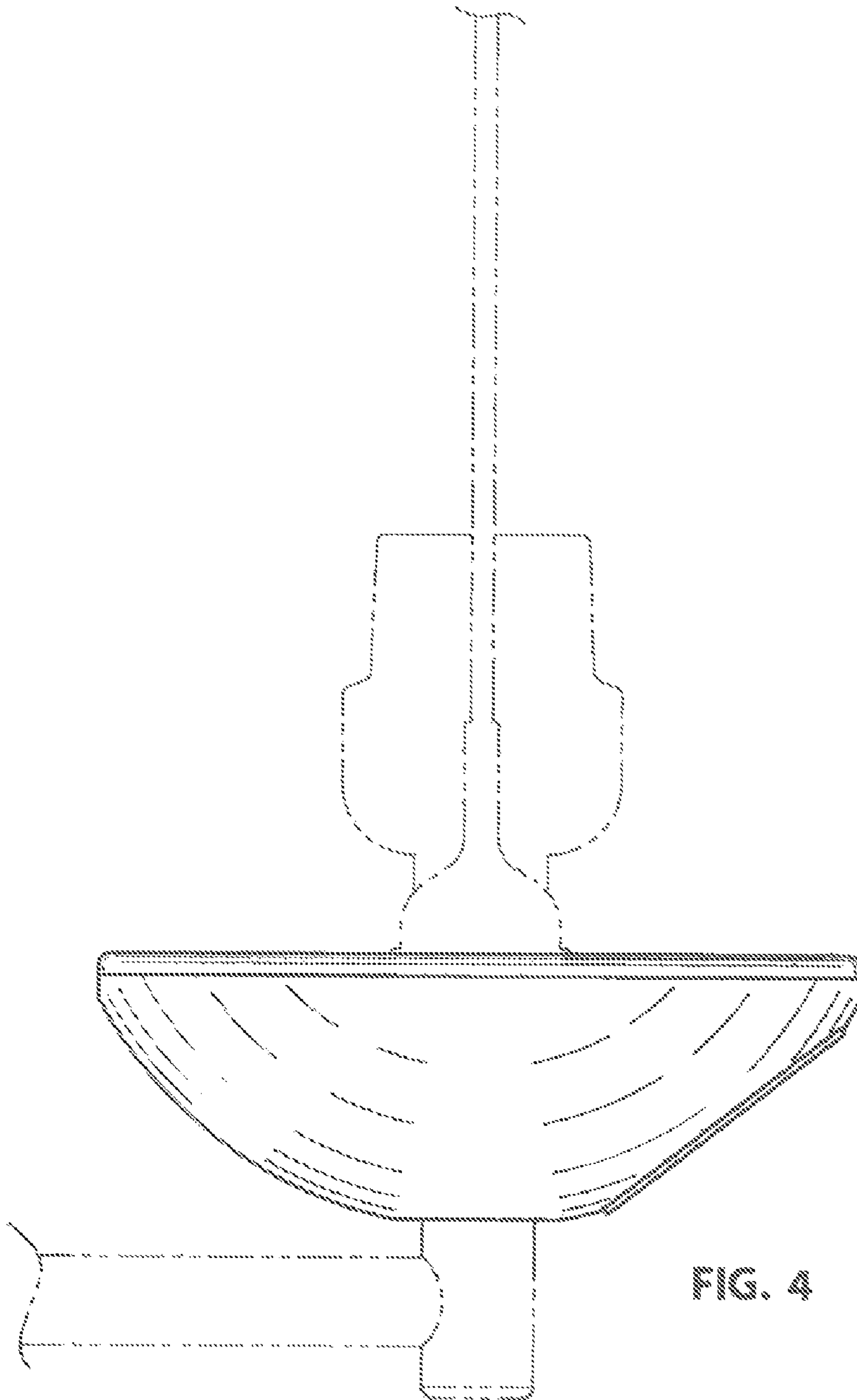


FIG. 4



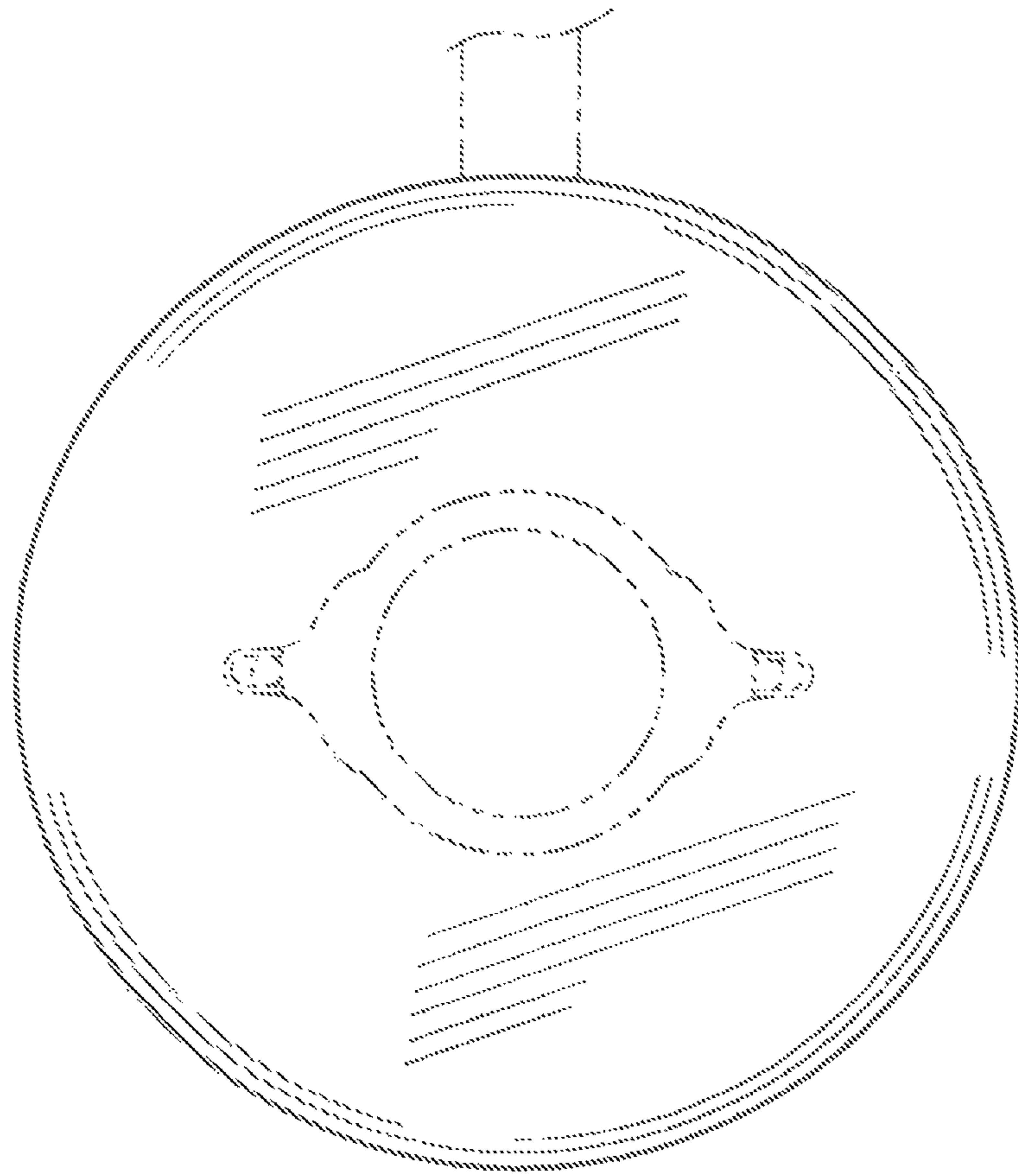


FIG. 5

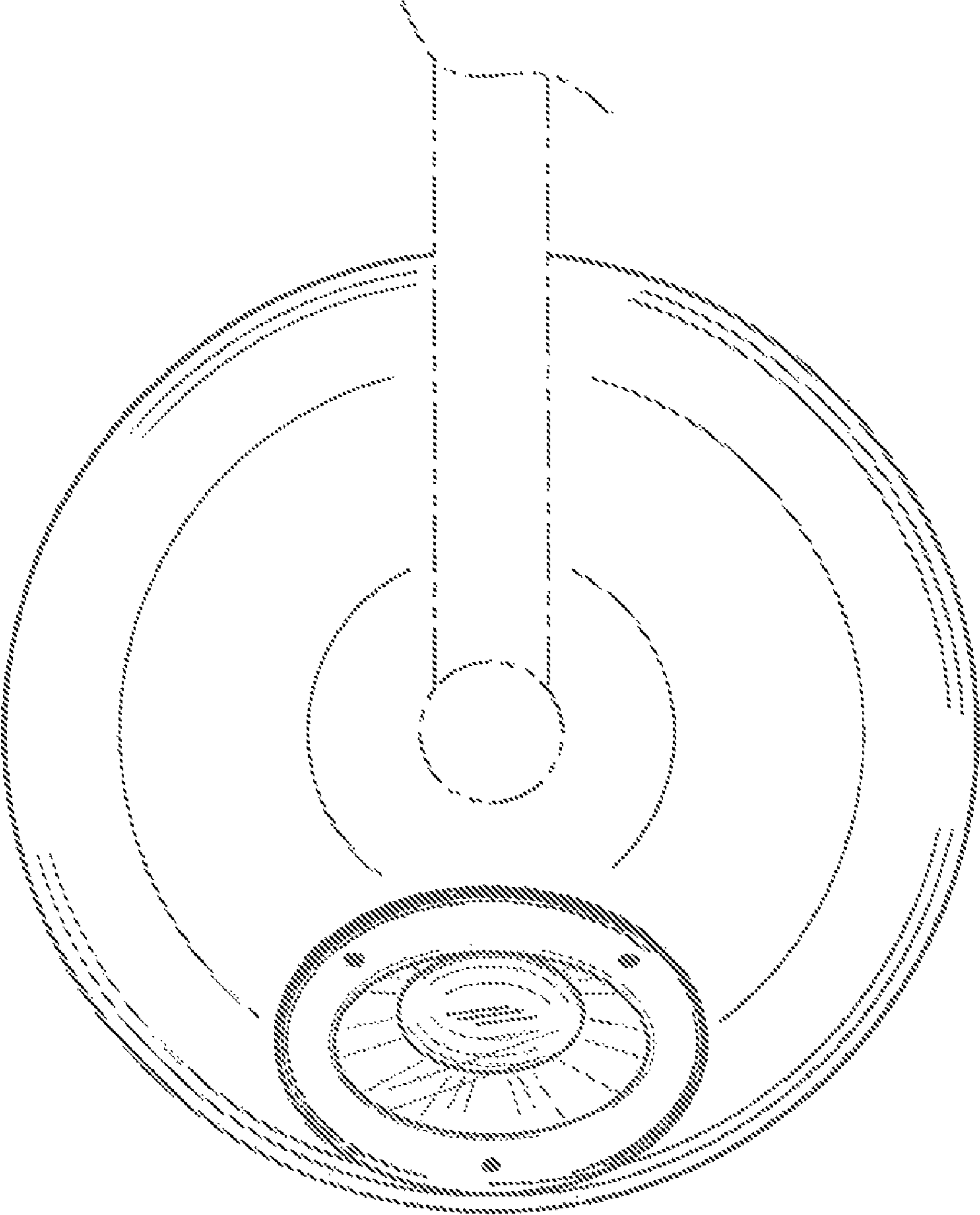


FIG. 6