



US00D648887S

(12) **United States Design Patent**
Kong et al.

(10) **Patent No.:** **US D648,887 S**

(45) **Date of Patent:** **** Nov. 15, 2011**

(54) **HEAD OF A STREET LAMP**

(75) Inventors: **Kyung-II Kong**, Seoul (KR); **Han Gyoul Kim**, Seoul (KR)

(73) Assignee: **LG Innotek Co., Ltd.**, Seoul (KR)

(**) Term: **14 Years**

(21) Appl. No.: **29/376,797**

(22) Filed: **Oct. 12, 2010**

(30) **Foreign Application Priority Data**

Apr. 10, 2010 (KR) 30-2010-0015928

Apr. 10, 2010 (KR) 30-2010-0015929

(51) **LOC (9) Cl.** **26-05**

(52) **U.S. Cl.** **D26/71; D26/123; D26/124**

(58) **Field of Classification Search** D26/67-71,
D26/85, 92, 118, 123, 124; 362/145, 183,
362/231, 240, 249.02, 249.03, 249.04, 249.06,
362/249.16, 373, 311.02, 697, 547, 431,
362/432

See application file for complete search history.

(56) **References Cited**

U.S. PATENT DOCUMENTS

1,213,154	A *	1/1917	Cohen	362/336
D51,598	S *	12/1917	Long	D26/123
D52,384	S *	9/1918	Churchill	D26/123
D194,479	S *	1/1963	Pettengill	D26/71
D201,700	S *	7/1965	Stockwell	D26/71
D207,930	S *	6/1967	Kotler	D26/123
D456,926	S *	5/2002	Gaskins et al.	D26/71
D482,481	S *	11/2003	Landefeld	D26/71
D482,482	S *	11/2003	Schreder	D26/71
6,840,654	B2 *	1/2005	Guerrieri et al.	362/241
D541,446	S *	4/2007	Chiang	D26/28
D563,017	S *	2/2008	Waedeled	D26/70
D564,687	S *	3/2008	Bucher et al.	D26/60

D566,323	S *	4/2008	Piepgras et al.	D26/123
D573,288	S *	7/2008	Xu et al.	D26/67
D573,289	S *	7/2008	Xu et al.	D26/67
D573,743	S *	7/2008	Yan et al.	D26/71
D577,847	S *	9/2008	Ruud et al.	D26/71
D578,694	S *	10/2008	Zeng et al.	D26/70
7,676,915	B2 *	3/2010	Ter-Hovhannissian	29/840
D628,333	S *	11/2010	Bretschneider	D26/71
D634,884	S *	3/2011	Yoshinobu et al.	D26/123
D636,926	S *	4/2011	You	D26/123
2002/0093820	A1 *	7/2002	Pederson	362/241
2003/0137838	A1 *	7/2003	Rizkin et al.	362/240
2003/0156410	A1 *	8/2003	Ter-Hovhannissian	362/241

* cited by examiner

Primary Examiner — Clare E Heflin

(74) *Attorney, Agent, or Firm* — KED & Associates LLP

(57) **CLAIM**

We claim the ornamental design for a “head of a street lamp,” as shown and described.

DESCRIPTION

FIG. 1 is a front perspective view of a head for a street lamp showing the new design;

FIG. 2 is a front view of the head for a street lamp of FIG. 1;

FIG. 3 is a rear view of the head for a street lamp of FIG. 1;

FIG. 4 is a left side view of the head for a street lamp of FIG. 1;

FIG. 5 is a right side view of the head for a street lamp of FIG. 1;

FIG. 6 is a top view of the head for a street lamp of FIG. 1;

FIG. 7 is a bottom view of the head for a street lamp of FIG. 1; and,

FIG. 8 is a bottom perspective view of the head for a street lamp of FIG. 1 shown in use with the light emitting part in diagonal line.

The broken lines shown on the drawings depict portions of the head for a street lamp that form no part of the claimed design.

1 Claim, 3 Drawing Sheets

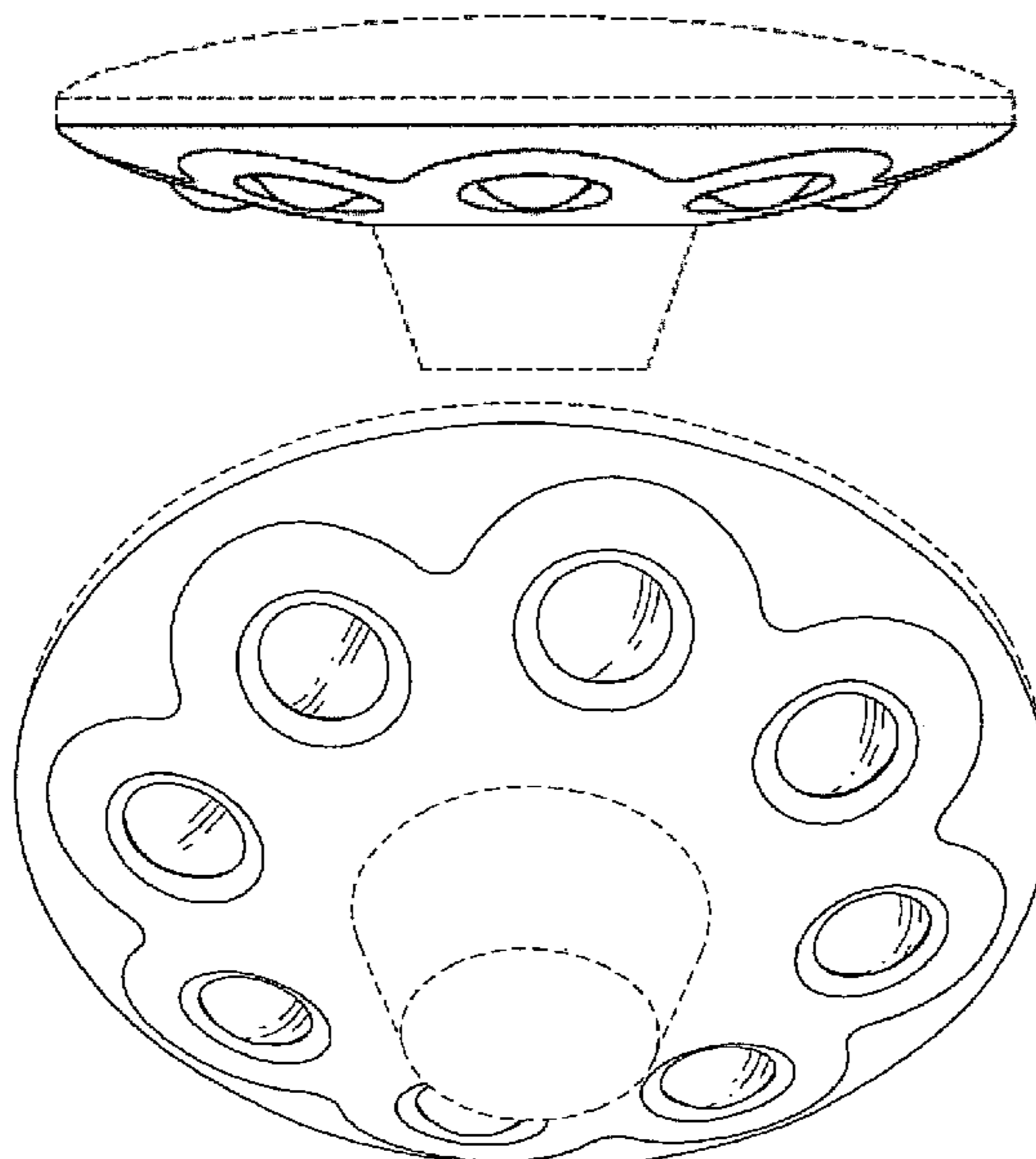


Figure 1

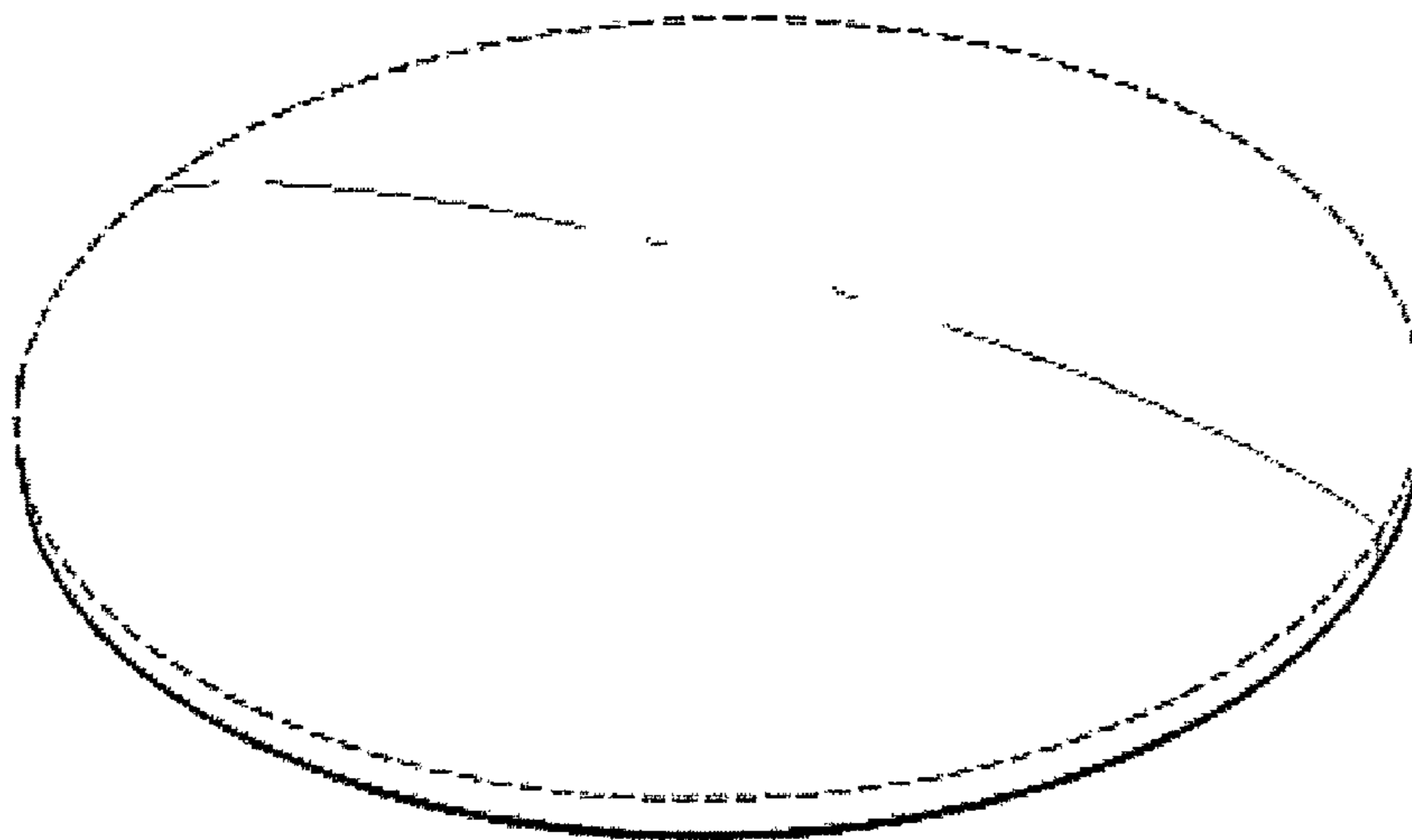


Figure 2

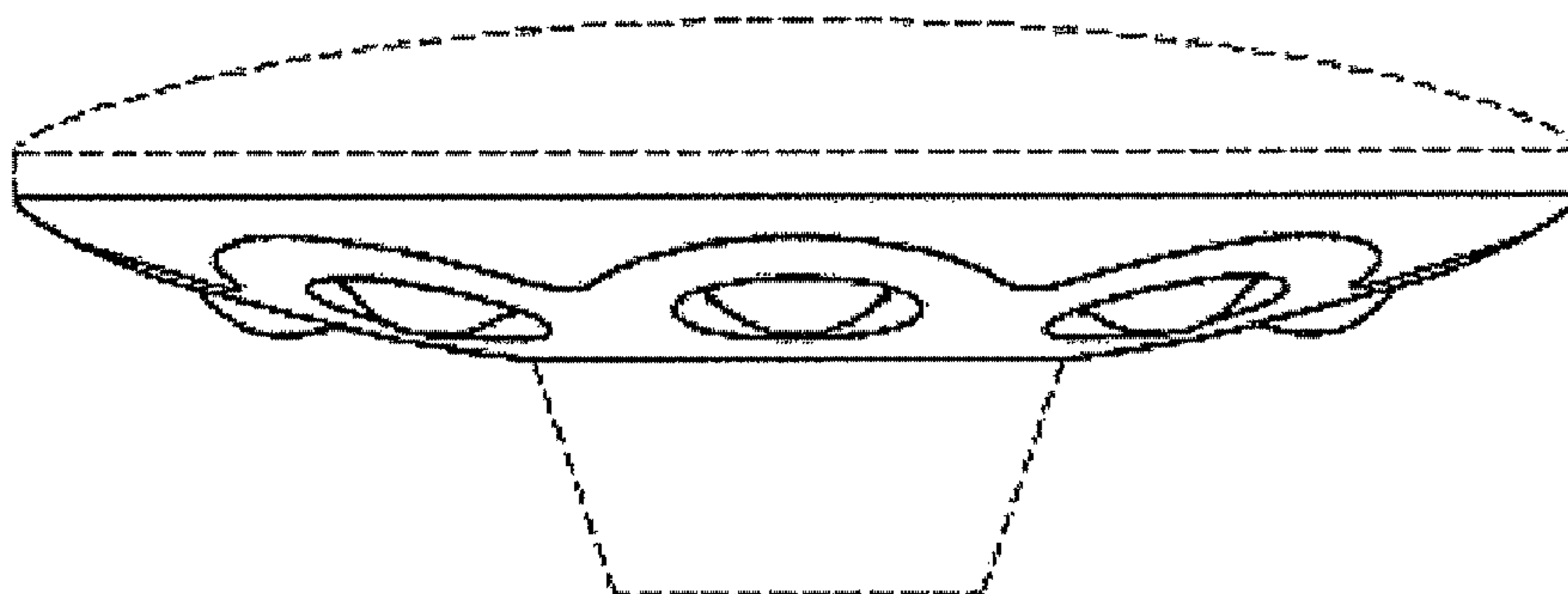


Figure 3

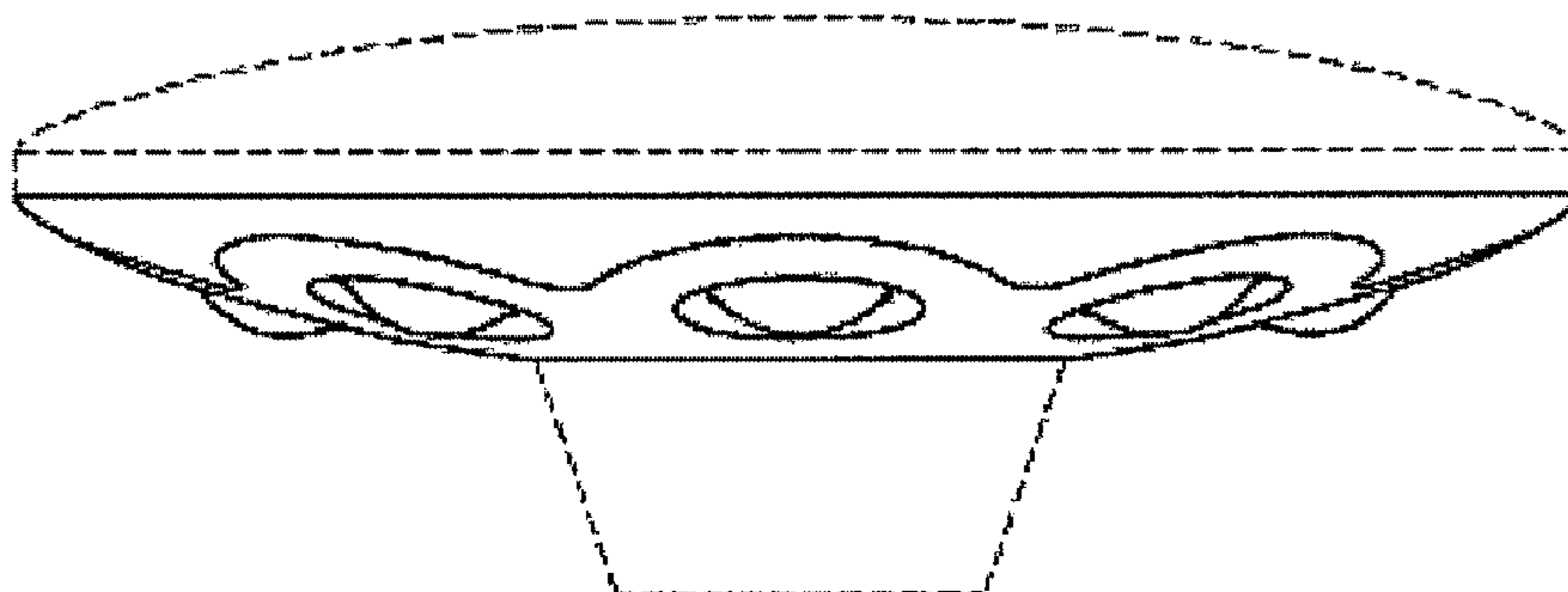


Figure 4

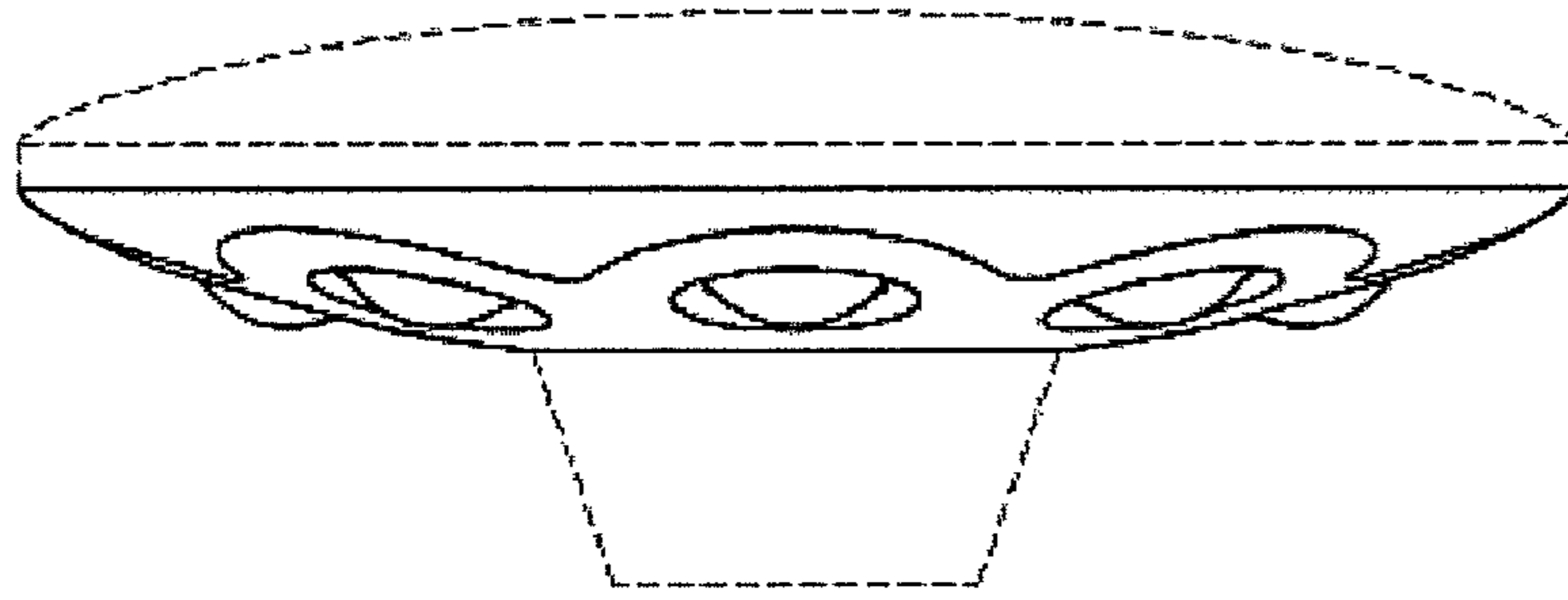


Figure 5

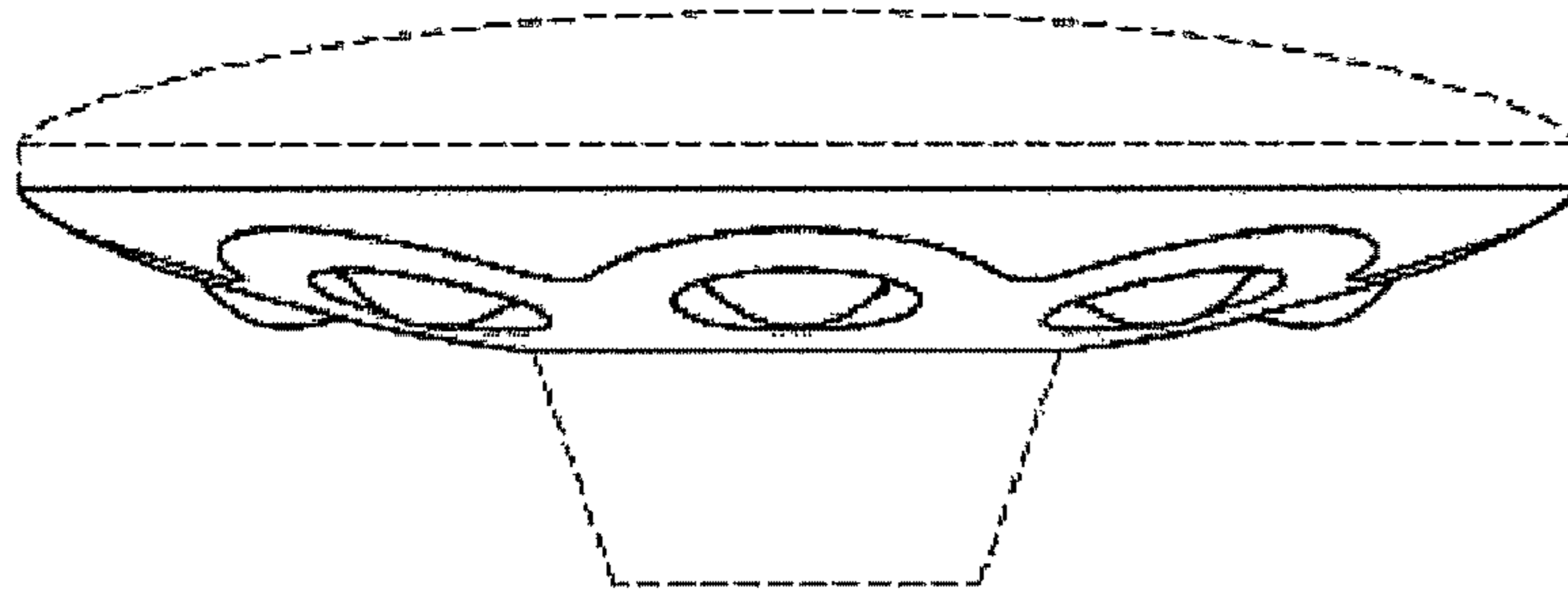


Figure 6

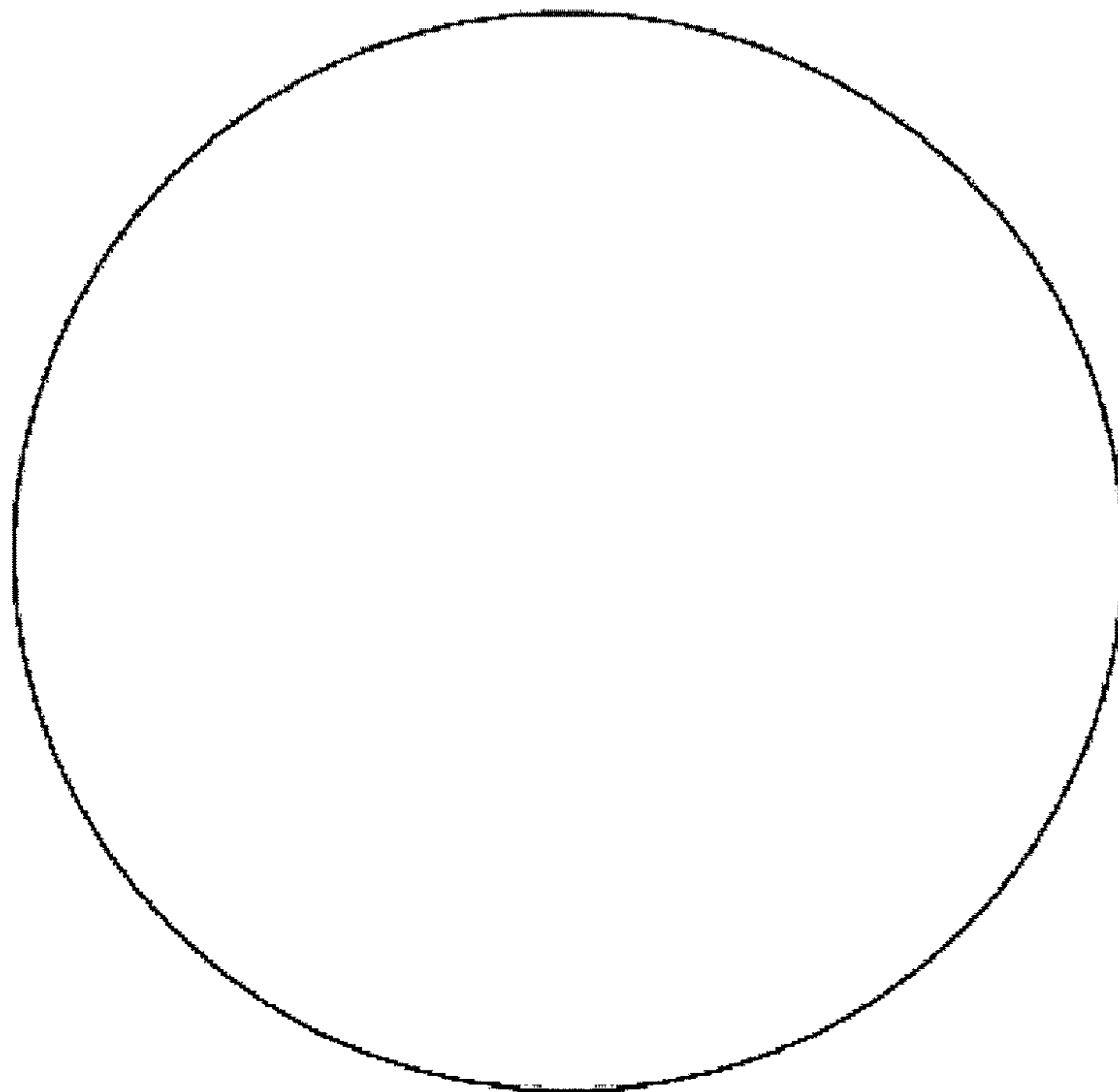


Figure 7

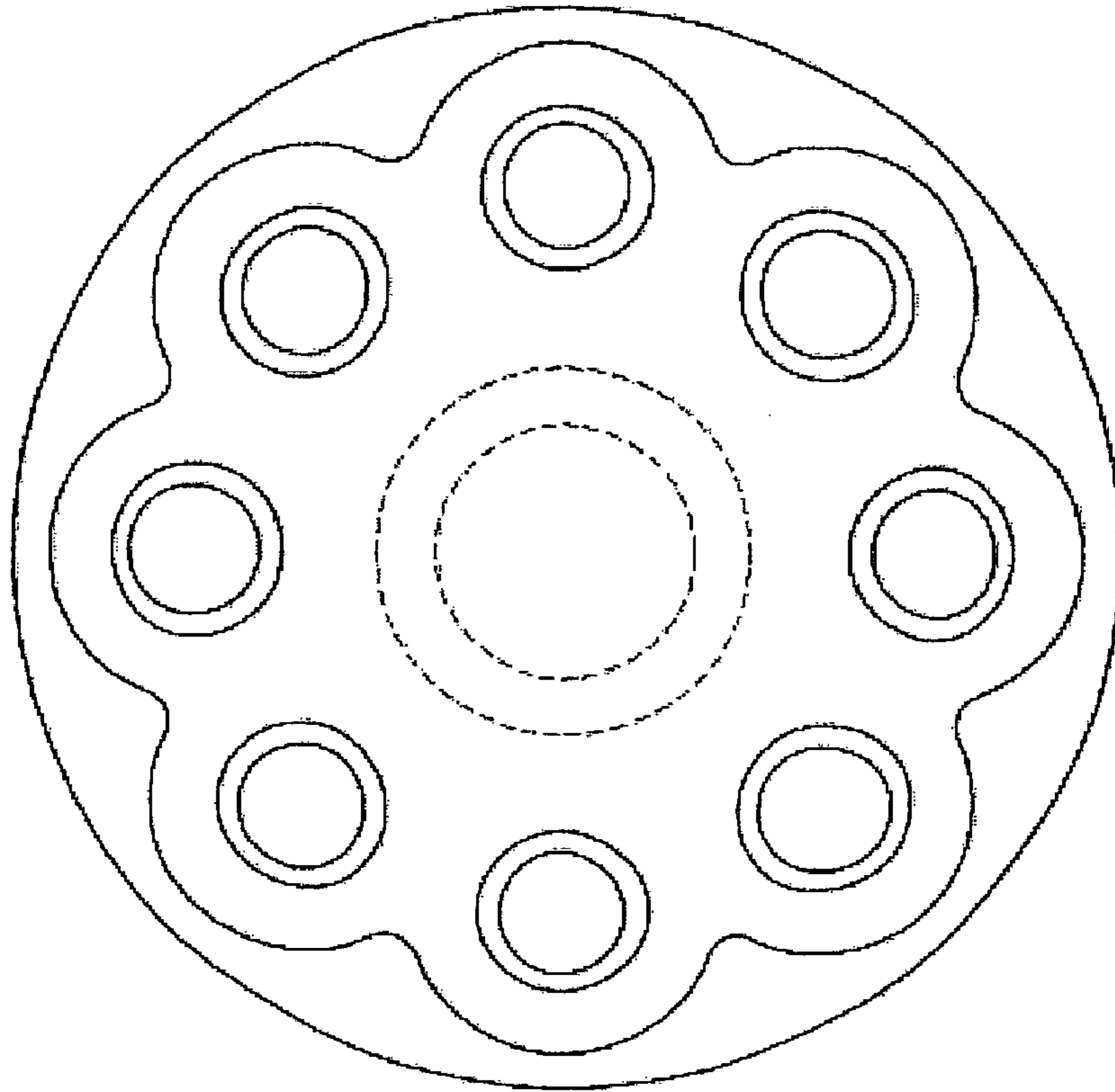


Figure 8

