



US00D648886S

(12) **United States Design Patent**  
**Kong et al.**

(10) **Patent No.:** **US D648,886 S**

(45) **Date of Patent:** **\*\* Nov. 15, 2011**

(54) **HEAD OF A STREET LAMP**

(75) Inventors: **Kyung-II Kong**, Seoul (KR); **Han Gyoul Kim**, Seoul (KR)

(73) Assignee: **LG Innotek Co., Ltd.**, Seoul (KR)

(\*\*) Term: **14 Years**

(21) Appl. No.: **29/376,796**

(22) Filed: **Oct. 12, 2010**

(30) **Foreign Application Priority Data**

Apr. 10, 2010 (KR) ..... 30-2010-0015925  
Apr. 10, 2010 (KR) ..... 30-2010-0015926  
Apr. 10, 2010 (KR) ..... 30-2010-0015927

(51) **LOC (9) Cl.** ..... **26-05**

(52) **U.S. Cl.** ..... **D26/71; D26/123; D26/124**

(58) **Field of Classification Search** ..... D26/67-71,  
D26/85, 92, 118, 123, 124; 362/145, 183,  
362/231, 240, 249.02, 249.03, 249.04, 249.06,  
362/249.16, 373, 311.02, 697, 547, 431,  
362/432

See application file for complete search history.

(56) **References Cited**

**U.S. PATENT DOCUMENTS**

1,213,154	A *	1/1917	Cohen	.....	362/336
D51,598	S *	12/1917	Long	.....	D26/123
D52,384	S *	9/1918	Churchill	.....	D26/123
D201,700	S *	7/1965	Stockwell	.....	D26/71
D207,930	S *	6/1967	Kotler	.....	D26/123
D456,926	S *	5/2002	Gaskins et al.	.....	D26/71
D482,481	S *	11/2003	Landefeld	.....	D26/71
D482,482	S *	11/2003	Schreder	.....	D26/71
D496,120	S *	9/2004	Cooper et al.	.....	D26/71
6,840,654	B2 *	1/2005	Guerrieri et al.	.....	362/241
D541,446	S *	4/2007	Chiang	.....	D26/28
D563,018	S *	2/2008	Nankil	.....	D26/70

D564,687	S *	3/2008	Bucher et al.	.....	D26/60
D566,323	S *	4/2008	Piepgras et al.	.....	D26/123
D573,288	S *	7/2008	Xu et al.	.....	D26/67
D573,743	S *	7/2008	Yan et al.	.....	D26/71
D577,847	S *	9/2008	Ruud et al.	.....	D26/71
D578,698	S *	10/2008	Zheng	.....	D26/71
7,676,915	B2 *	3/2010	Ter-Hovhannissian	.....	29/840
D626,266	S *	10/2010	Verelst	.....	D26/71
D634,465	S *	3/2011	Siefker et al.	.....	D26/71
D634,884	S *	3/2011	Yoshinobu et al.	.....	D26/123
D636,926	S *	4/2011	You	.....	D26/123
2002/0093820	A1 *	7/2002	Pederson	.....	362/241
2003/0137838	A1 *	7/2003	Rizkin et al.	.....	362/240
2003/0156410	A1 *	8/2003	Ter-Hovhannissian	.....	362/241

\* cited by examiner

*Primary Examiner* — Clare E Heflin

(74) *Attorney, Agent, or Firm* — KED & Associates LLP

(57) **CLAIM**

We claim the ornamental design for a “head of a street lamp,” as shown and described.

**DESCRIPTION**

FIG. 1 is a front perspective view of a head for a street lamp showing the new design;

FIG. 2 is a front view of the head for a street lamp of FIG. 1;

FIG. 3 is a rear view of the head for a street lamp of FIG. 1;

FIG. 4 is a left side view of the head for a street lamp of FIG. 1;

FIG. 5 is a right side view of the head for a street lamp of FIG. 1;

FIG. 6 is a top view of the head for a street lamp of FIG. 1;

FIG. 7 is a bottom view of the head for a street lamp of FIG. 1; and,

FIG. 8 is a bottom perspective view of the head for a street lamp of FIG. 1 showing the light emitting part with oblique line shading.

The broken lines shown on the drawings depict portions of the head for a street lamp that form no part of the claimed design.

**1 Claim, 4 Drawing Sheets**

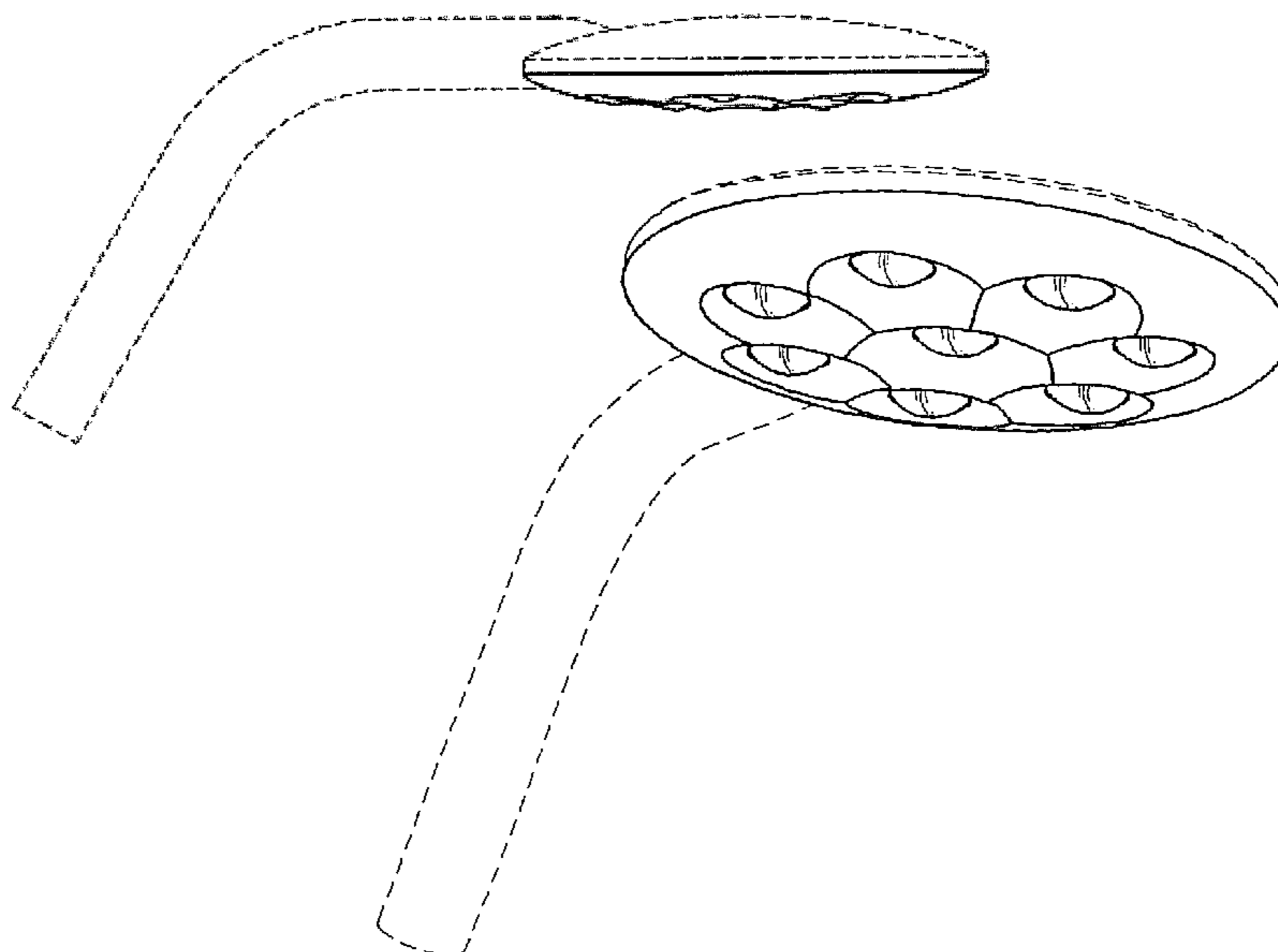


Figure 1

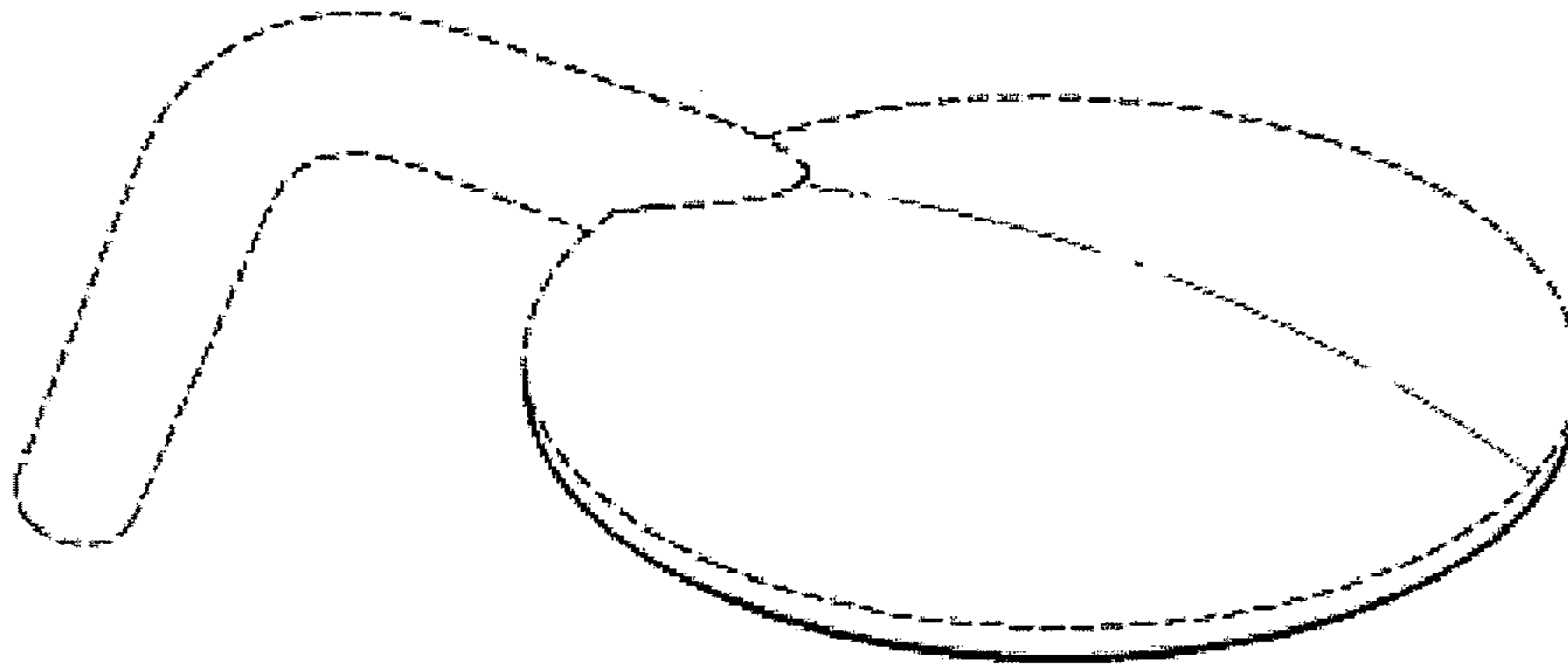


Figure 2

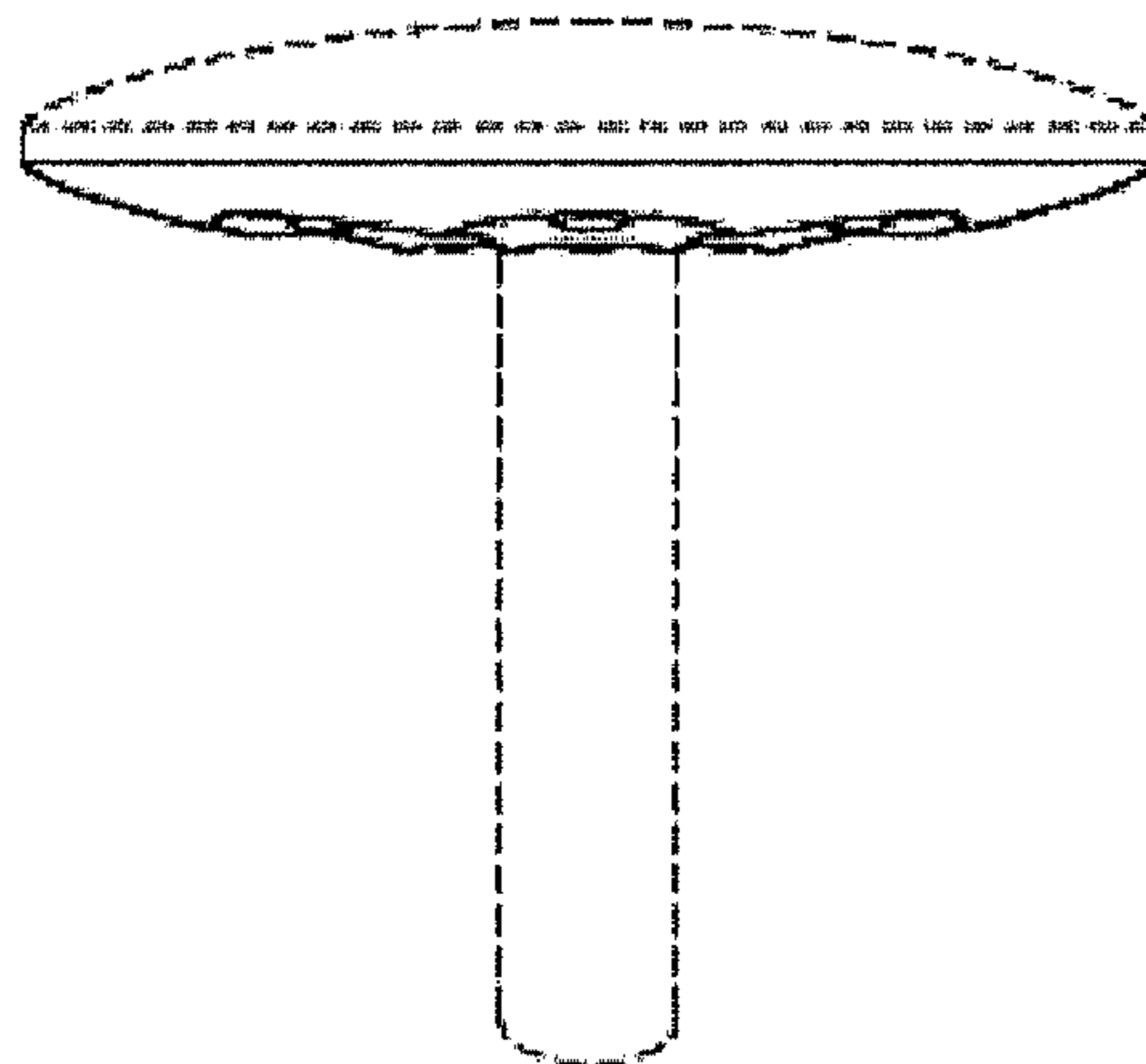


Figure 3

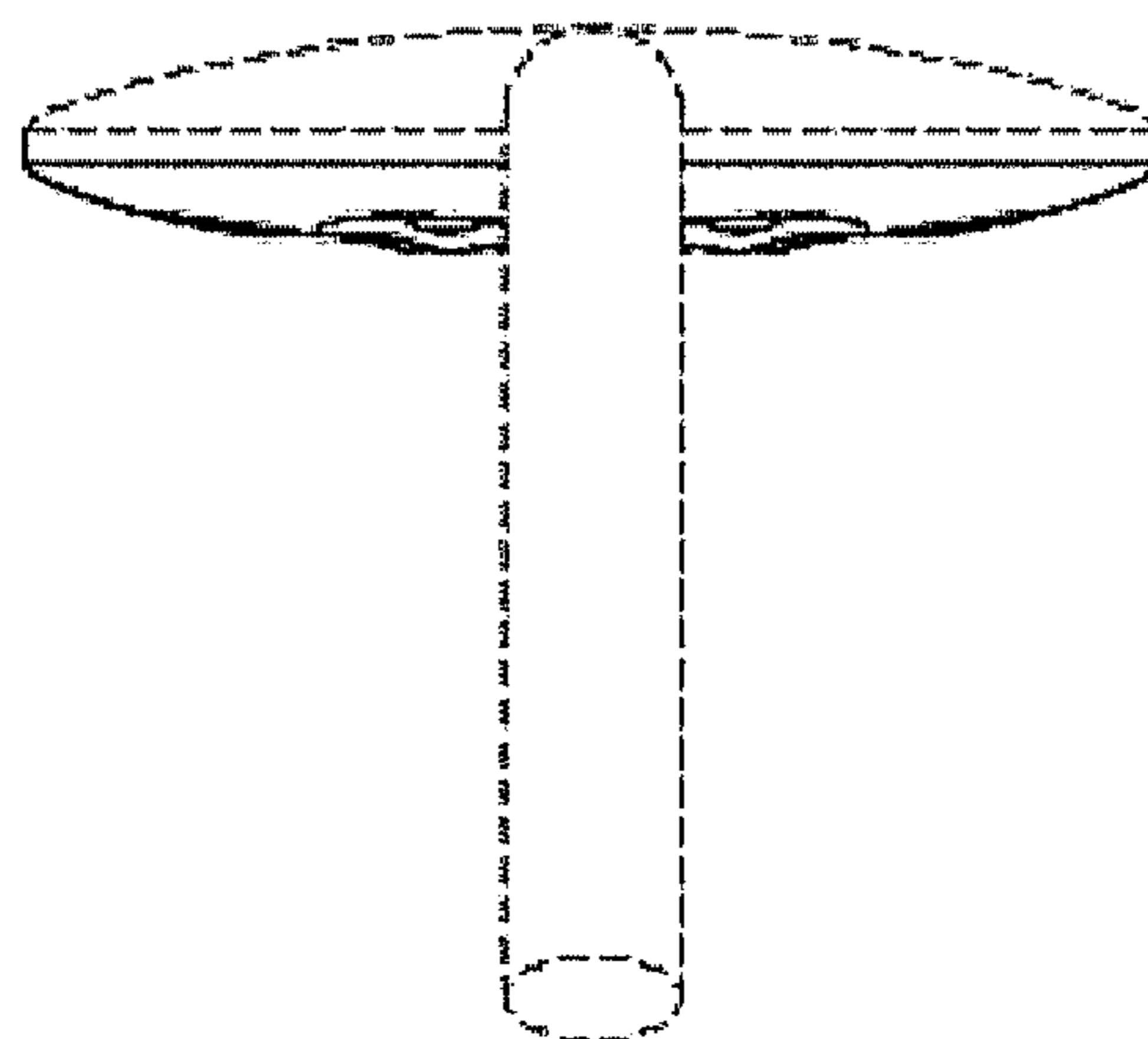


Figure 4

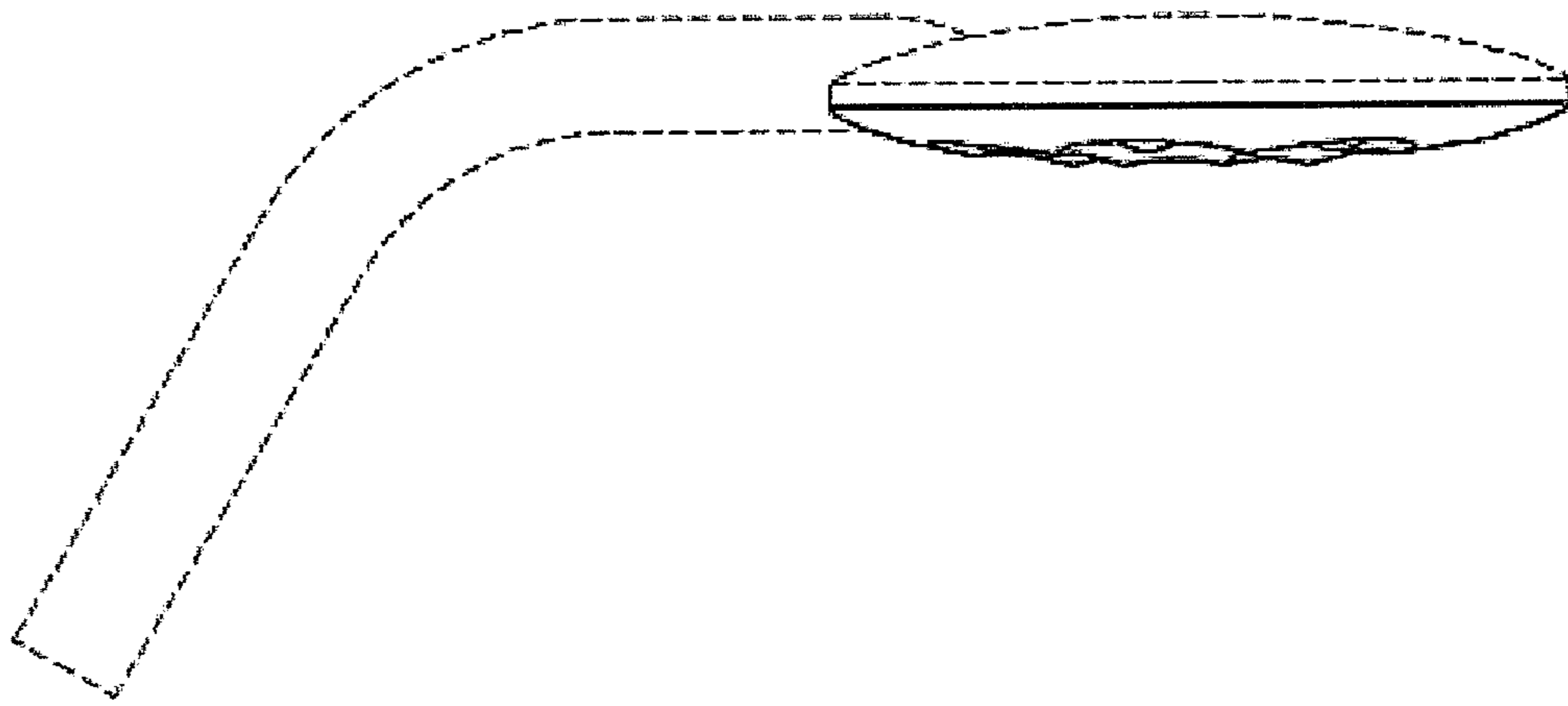


Figure 5

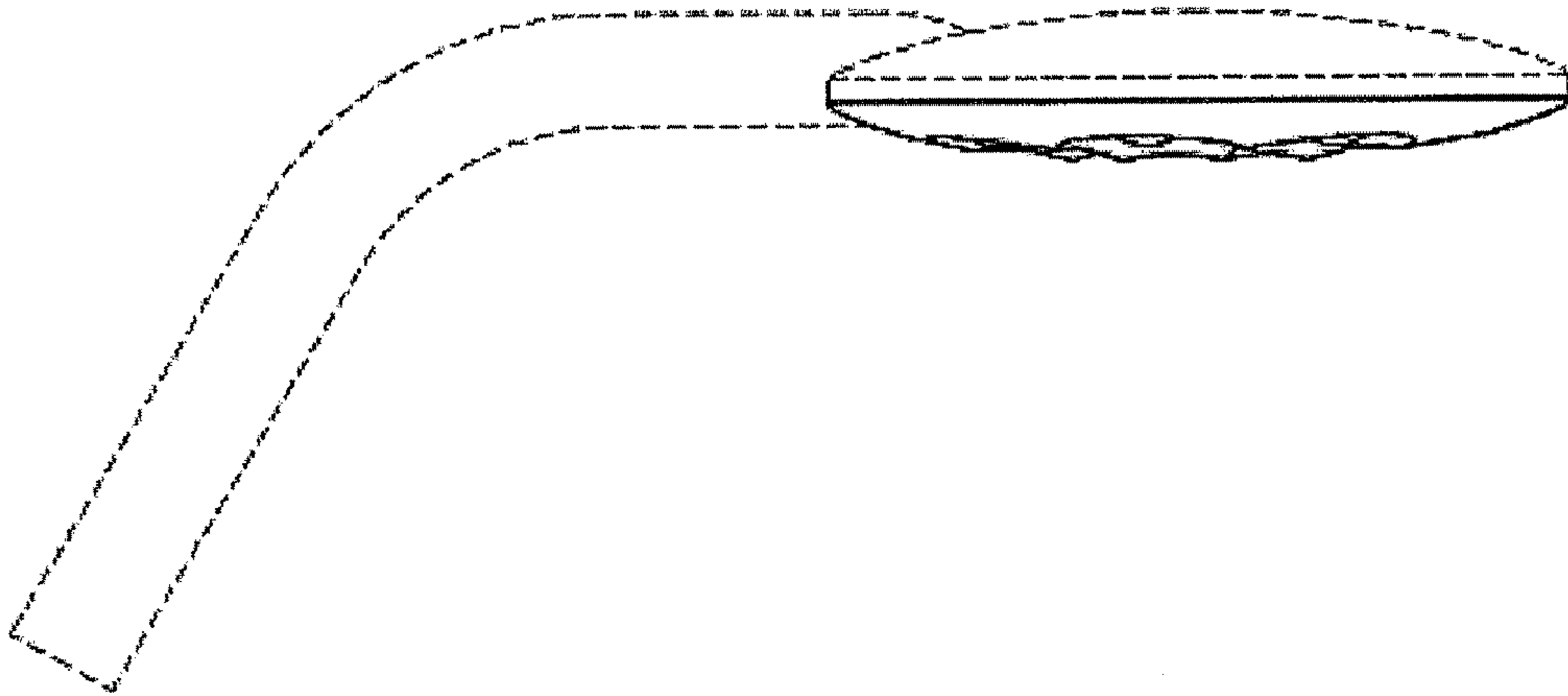


Figure 6

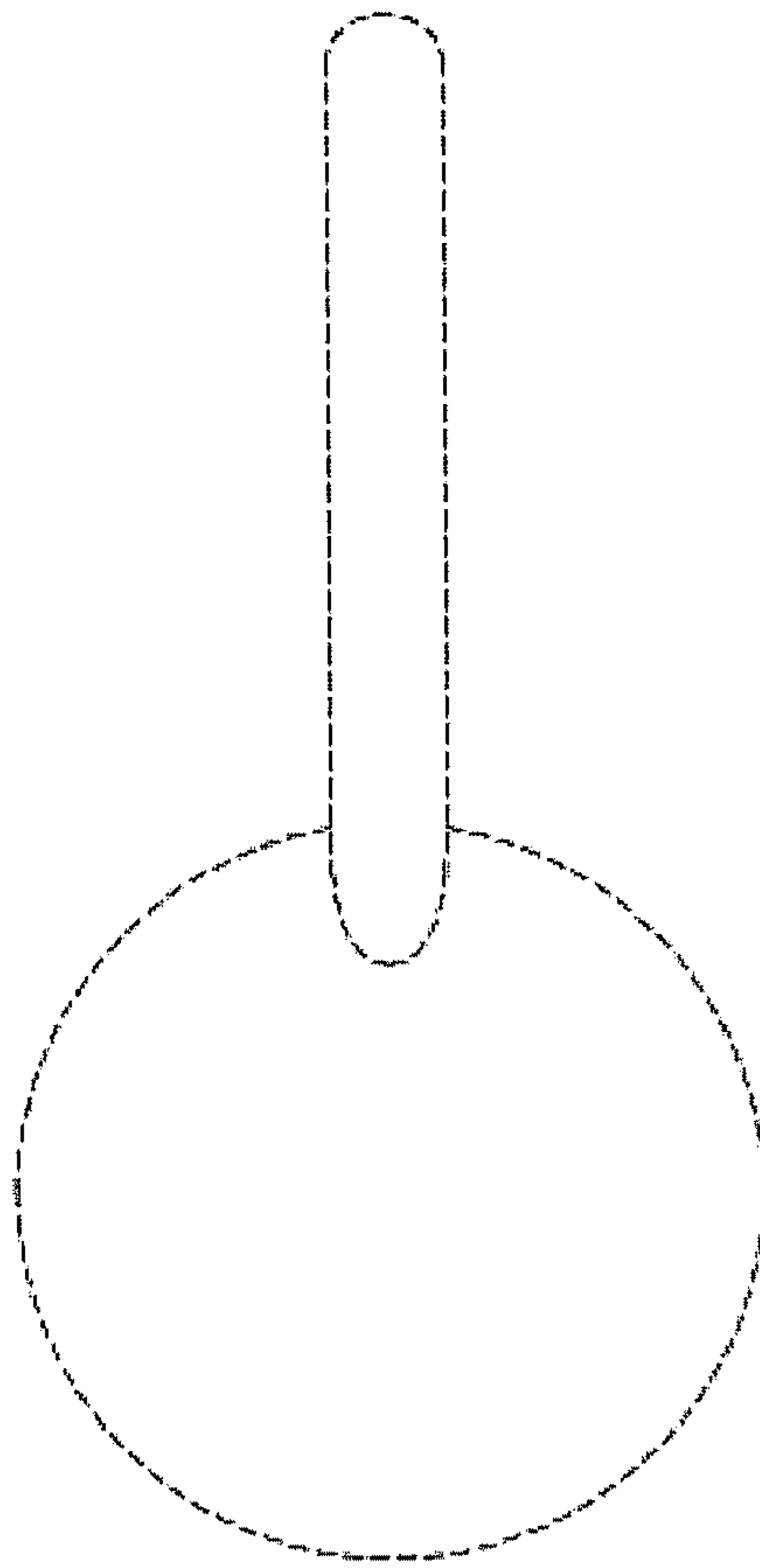


Figure 7

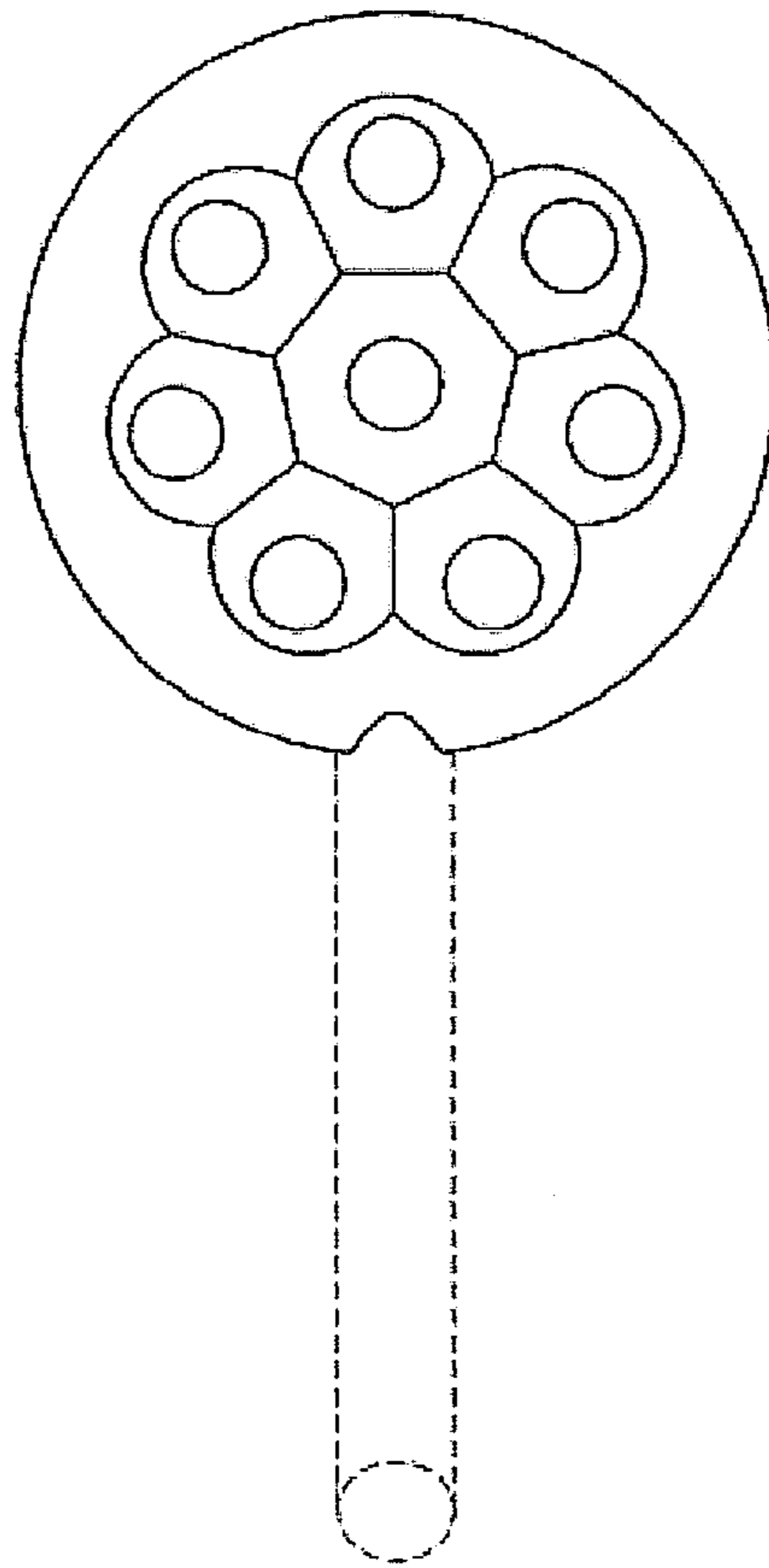


Figure 8

