



US00D648884S

(12) **United States Design Patent**  
**Tortel**

(10) **Patent No.:** **US D648,884 S**

(45) **Date of Patent:** **\*\* Nov. 15, 2011**

(54) **OUTDOOR LIGHTING FIXTURE**

(75) Inventor: **Michel Tortel**,  
Saint-Maximin-La-Sainte-Beaume (FR)

(73) Assignee: **Schreder, S.A.**, Brussels (BE)

(\*\*) Term: **14 Years**

(21) Appl. No.: **29/363,339**

(22) Filed: **Jun. 8, 2010**

(30) **Foreign Application Priority Data**

Dec. 8, 2009 (EM) ..... 001182539-0001

(51) **LOC (9) Cl.** ..... **26-05**

(52) **U.S. Cl.** ..... **D26/71**

(58) **Field of Classification Search** ..... D26/67-71,  
D26/85, 92; 362/145, 183, 231, 240, 249.02,  
362/249.03, 249.04, 249.06, 249.16, 373,  
362/311.02, 697, 547, 431, 432

See application file for complete search history.

(56) **References Cited**

**U.S. PATENT DOCUMENTS**

D577,455 S \* 9/2008 Zheng et al. .... D26/71

D578,697 S \* 10/2008 Zheng et al. .... D26/71

D603,077 S \* 10/2009 Kinnune et al. .... D26/71

D615,233 S \* 5/2010 Josefowicz et al. .... D26/71

D615,235 S \* 5/2010 Zheng ..... D26/71

D631,999 S \* 2/2011 Little et al. .... D26/71

D632,000 S \* 2/2011 Little et al. .... D26/71

D632,819 S \* 2/2011 Kong et al. .... D26/71

D634,875 S \* 3/2011 Jiang et al. .... D26/71

\* cited by examiner

*Primary Examiner* — Clare E Heflin

(74) *Attorney, Agent, or Firm* — Kirschstein, et al.

(57) **CLAIM**

The ornamental design for an outdoor lighting fixture, as shown and described.

**DESCRIPTION**

FIG. 1 is a perspective view from above of an outdoor lighting fixture according to my design;

FIG. 2 is a top plan view thereof;

FIG. 3 is a left side elevational view thereof, the right side elevational view being a mirror image;

FIG. 4 is a front elevational view thereof;

FIG. 5 is a rear elevational view thereof; and,

FIG. 6 is a bottom plan view thereof.

The dashed lines in the views are for environmental purposes and form no part of the claimed design.

**1 Claim, 5 Drawing Sheets**

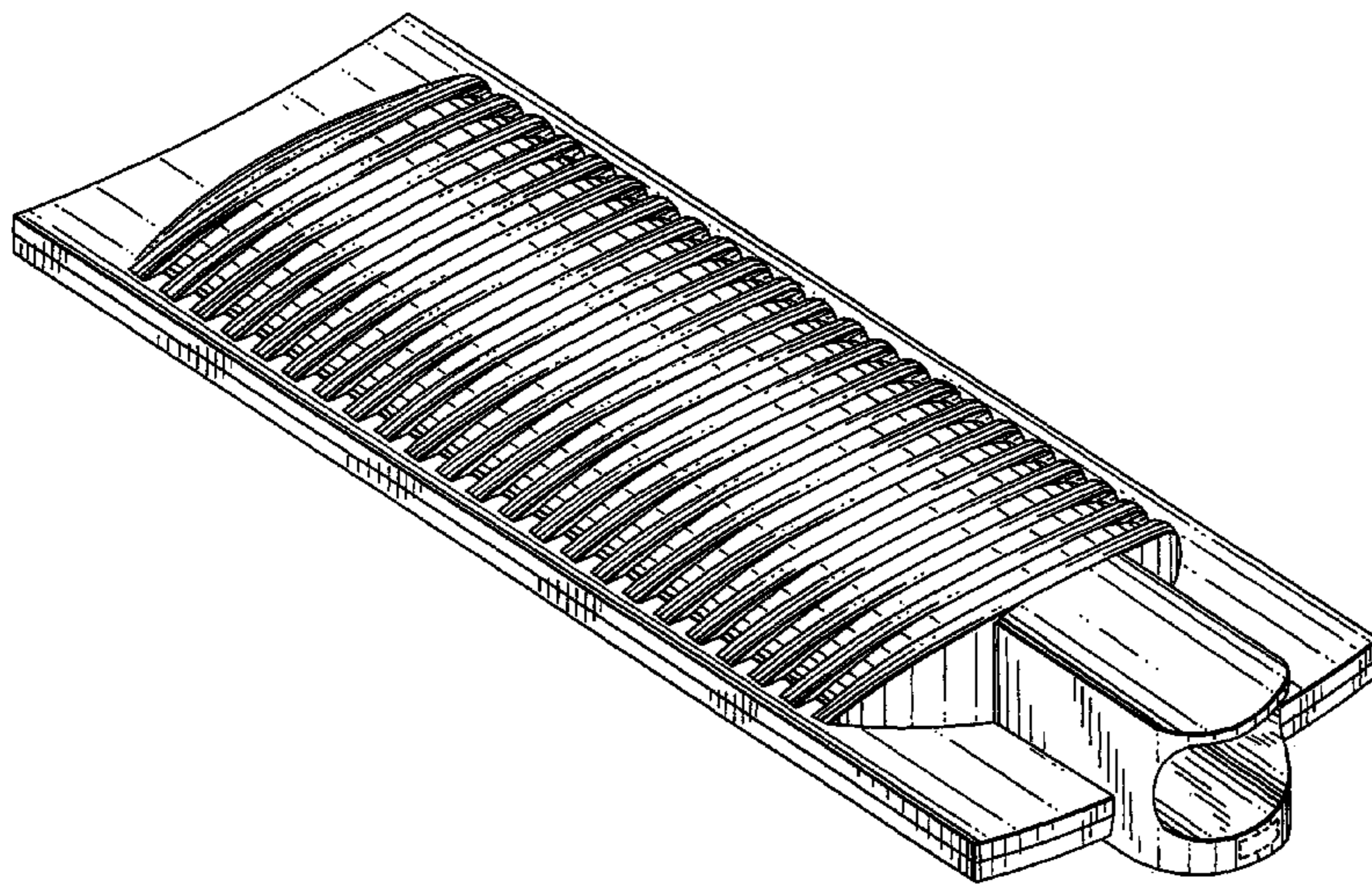
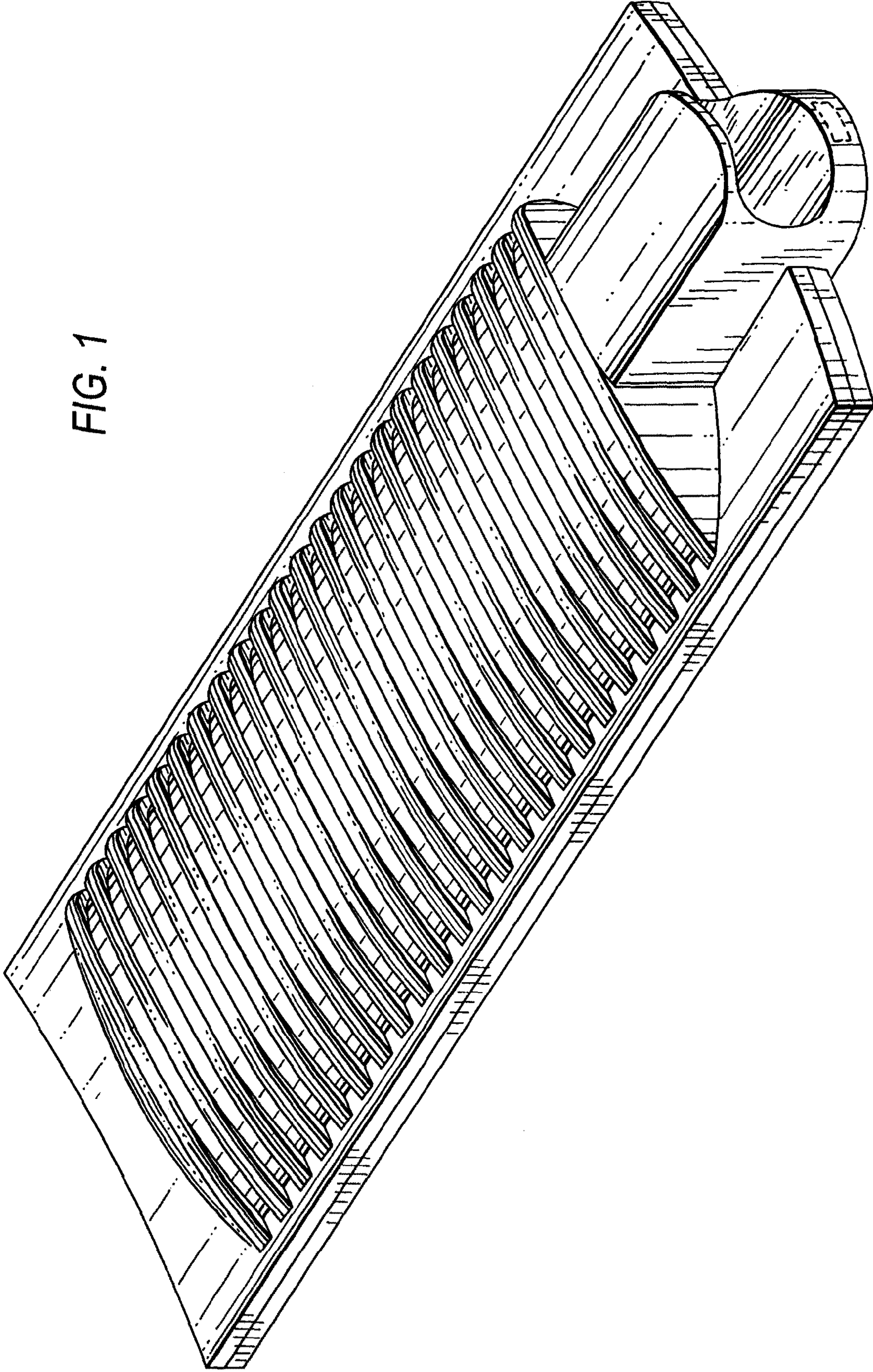


FIG. 1



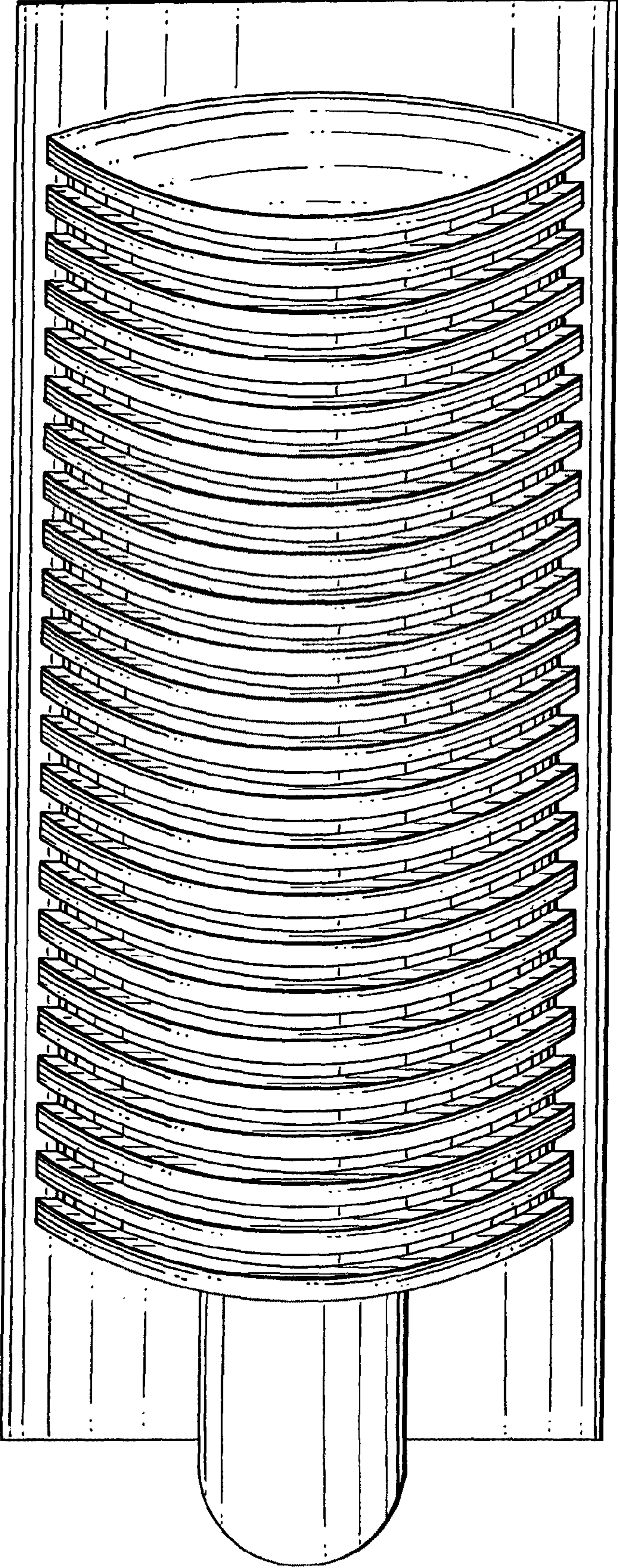


FIG. 2

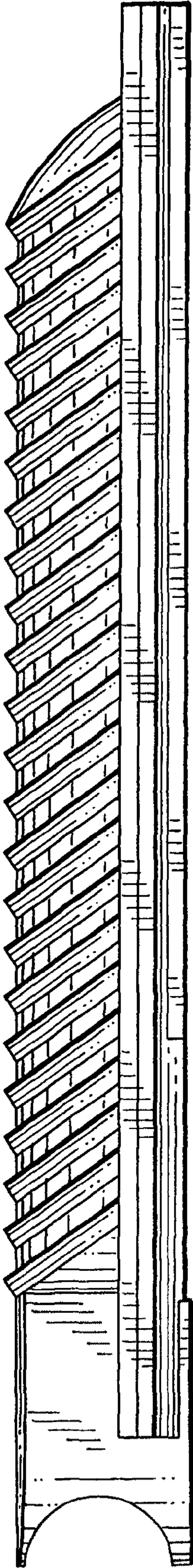
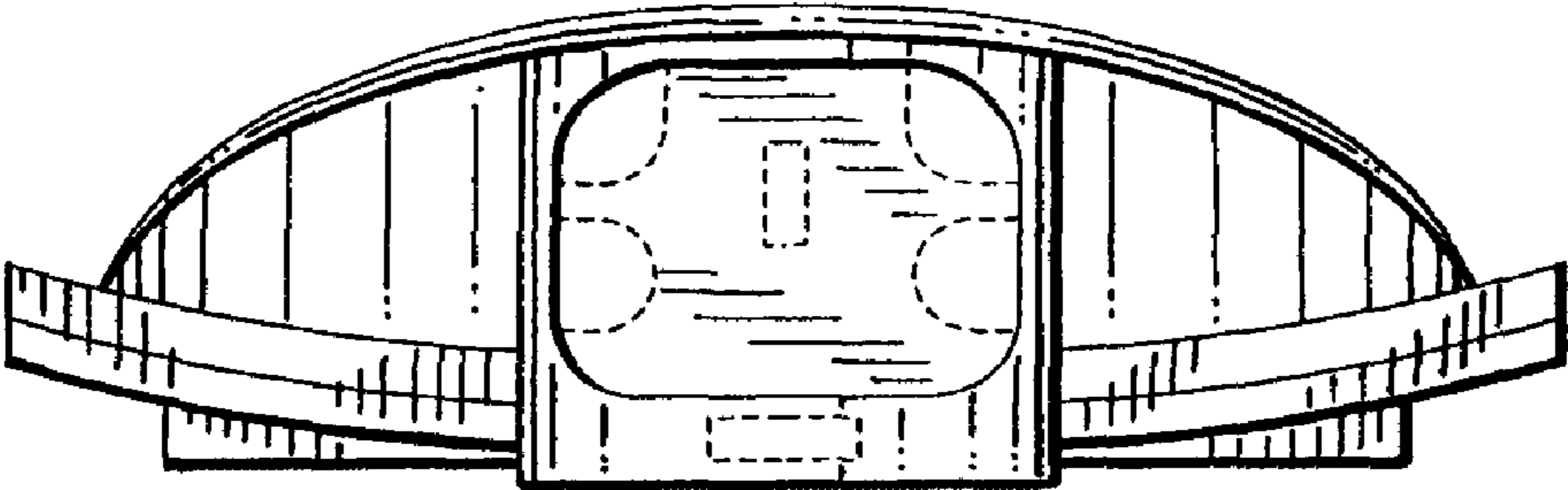
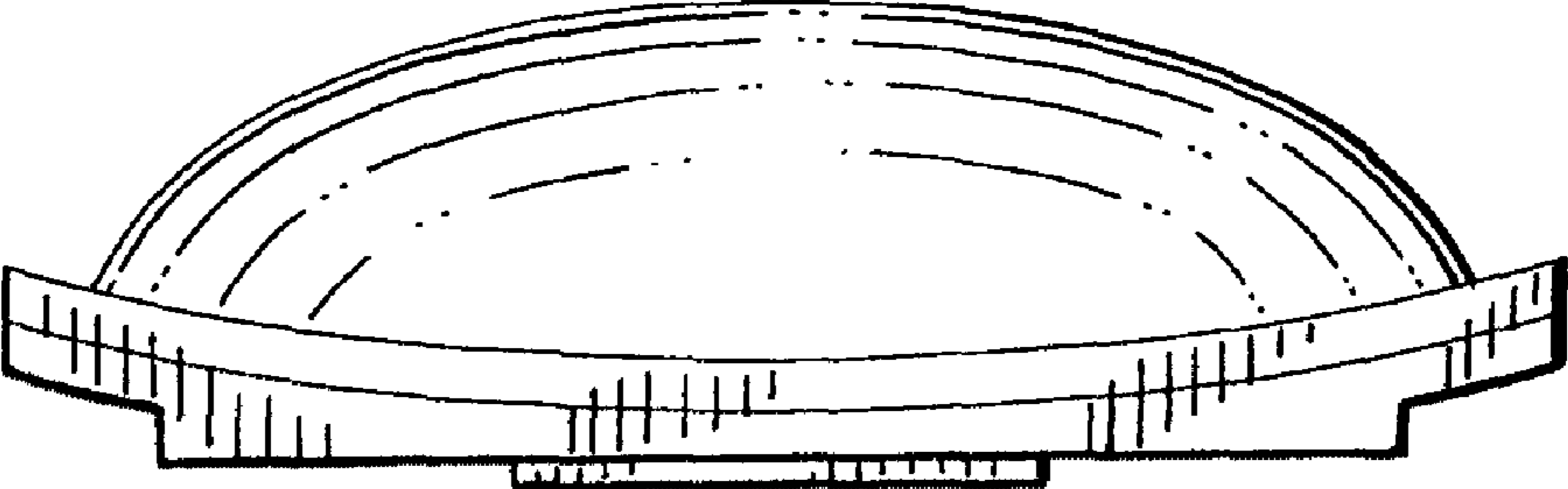


FIG. 3

*FIG. 4*



*FIG. 5*

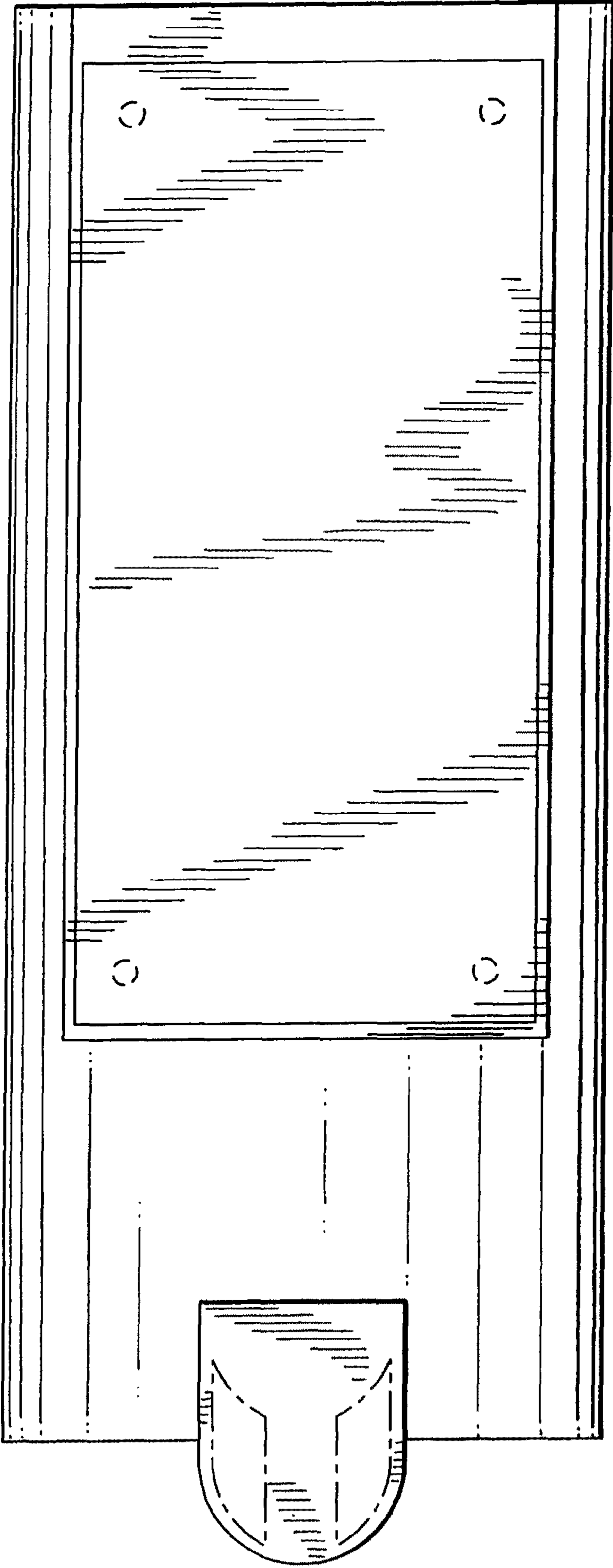


FIG. 6