



US00D648882S

(12) **United States Design Patent**
Halm

(10) **Patent No.:** **US D648,882 S**

(45) **Date of Patent:** **** Nov. 15, 2011**

(54) **COMBINATION LIGHT AND IR DETECTOR**

(76) Inventor: **Gary V. Halm**, Arlington, TX (US)

(**) Term: **14 Years**

(21) Appl. No.: **29/372,277**

(22) Filed: **Nov. 2, 2010**

(51) **LOC (9) Cl.** **26-02**

(52) **U.S. Cl.** **D26/51; D26/39**

(58) **Field of Classification Search** D26/37,
D26/38, 39, 46, 49, 51; 362/103, 105, 108,
362/157, 158, 184, 183, 192, 193, 194-208,
362/276, 802, 804, 253

See application file for complete search history.

(56) **References Cited**

U.S. PATENT DOCUMENTS

2,990,765	A	7/1961	Winzenburg	
4,195,918	A	4/1980	Freche et al.	
D266,192	S *	9/1982	Feinbloom et al.	D26/39
4,822,278	A	4/1989	Oliva et al.	
4,866,229	A	9/1989	Scharfenberg	
4,956,752	A	9/1990	Foglietti	
4,975,937	A	12/1990	Horton et al.	
5,331,357	A	7/1994	Cooley et al.	
5,526,245	A	6/1996	Davis et al.	
5,637,863	A	6/1997	Sanborn et al.	
D383,229	S *	9/1997	Kiichiro	D26/39
5,667,291	A	9/1997	Caplan et al.	
5,704,707	A	1/1998	Gebelein et al.	
D399,580	S *	10/1998	Feinbloom	D26/39
D405,901	S *	2/1999	Feinbloom et al.	D26/39
5,882,194	A	3/1999	Davis et al.	
6,091,546	A	7/2000	Spitzer	
6,101,038	A	8/2000	Hebert et al.	
6,114,812	A	9/2000	Lee	
6,169,377	B1	1/2001	Bryde et al.	
D446,592	S *	8/2001	Leen	D26/63
6,309,090	B1 *	10/2001	Tukin	362/276

6,322,234	B1 *	11/2001	Drake et al.	362/276
6,348,859	B1	2/2002	Baker	
6,350,123	B1	2/2002	Rizoiu et al.	
6,377,401	B1	4/2002	Bartlett	
6,667,832	B2 *	12/2003	Caplan et al.	359/409
6,720,870	B2	4/2004	Morse	
D492,053	S *	6/2004	Graves et al.	D26/51
D518,210	S *	3/2006	Nagano et al.	D26/39
7,008,074	B1	3/2006	Halm	
7,029,277	B2	4/2006	Gofman et al.	
7,066,732	B2	6/2006	Cao	
7,083,313	B2	8/2006	Smith	

(Continued)

FOREIGN PATENT DOCUMENTS

WO WO 00/17849 3/2000

Primary Examiner — Ian Simmons

Assistant Examiner — Carissa C Fitts

(74) *Attorney, Agent, or Firm* — Law Office of William Gustavson, PC

(57) **CLAIM**

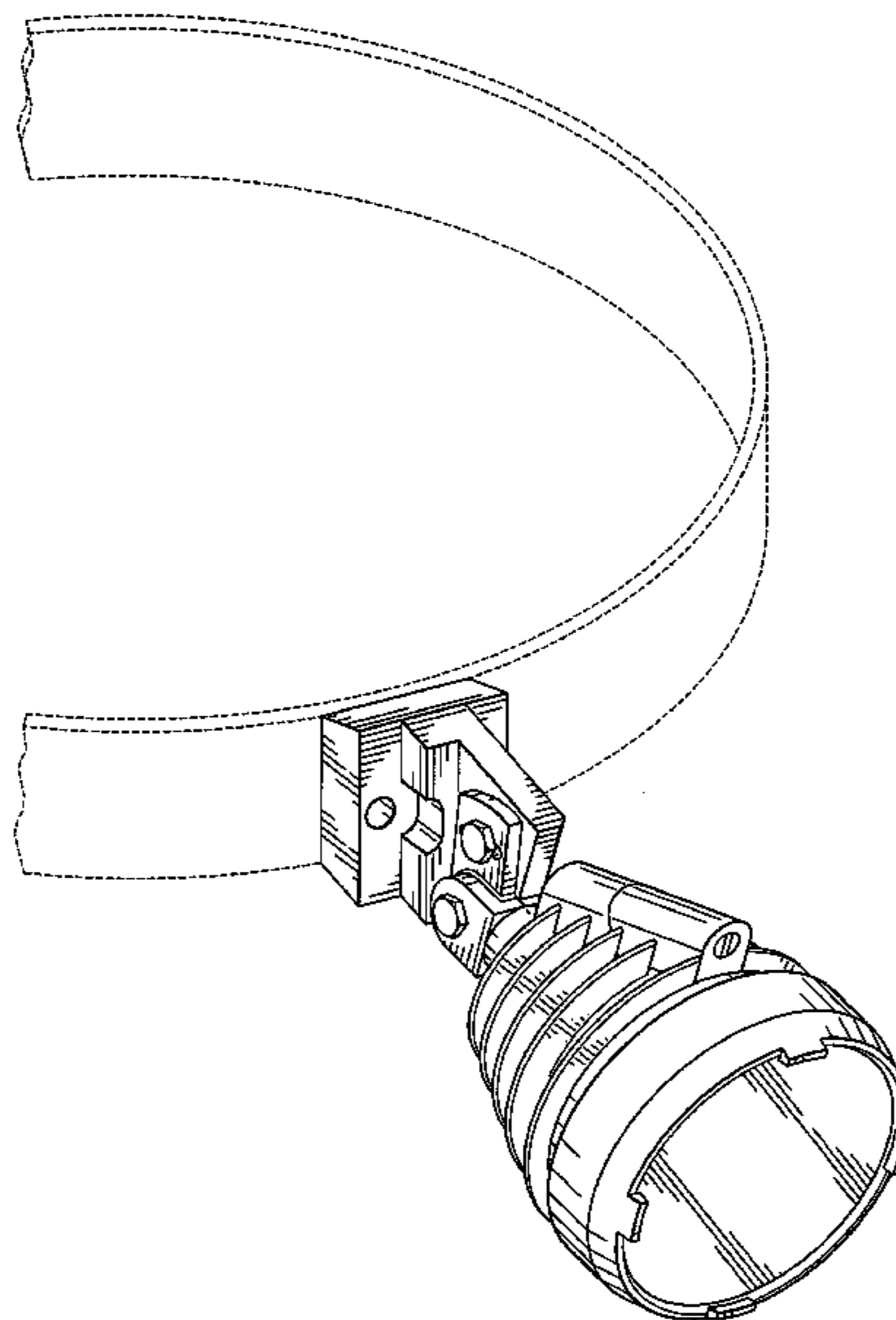
The ornamental design for a combination light and IR detector, as shown and described.

DESCRIPTION

FIG. 1 is a perspective top view of a first embodiment of a combination light and IR detector embodying my design, the head strap shown in dotted line forming no part of the present invention, the combination light and IR detector being suitable for use by a dentist or surgeon;

FIG. 2 is a front view of the first embodiment;
FIG. 3 is a right side view of the first embodiment;
FIG. 4 is a left side view of the first embodiment;
FIG. 5 is a back view of the first embodiment;
FIG. 6 is a top view of the first embodiment; and,
FIG. 7 is a bottom view of the first embodiment.

1 Claim, 4 Drawing Sheets



US D648,882 S

Page 2

U.S. PATENT DOCUMENTS							
D582,085	S	*	12/2008	Feinbloom et al.	D26/39	
D586,932	S	*	2/2009	Feinbloom et al.	D26/39	
7,677,888	B1		3/2010	Halm			
D615,677	S	*	5/2010	Feinbloom et al.	D26/39	
							* cited by examiner
				D615,679	S	*	5/2010
				7,824,052	B1		11/2010
				2003/0067769	A1		4/2003
				Ferguson	D26/39	
				Halm			
				Gilpin			

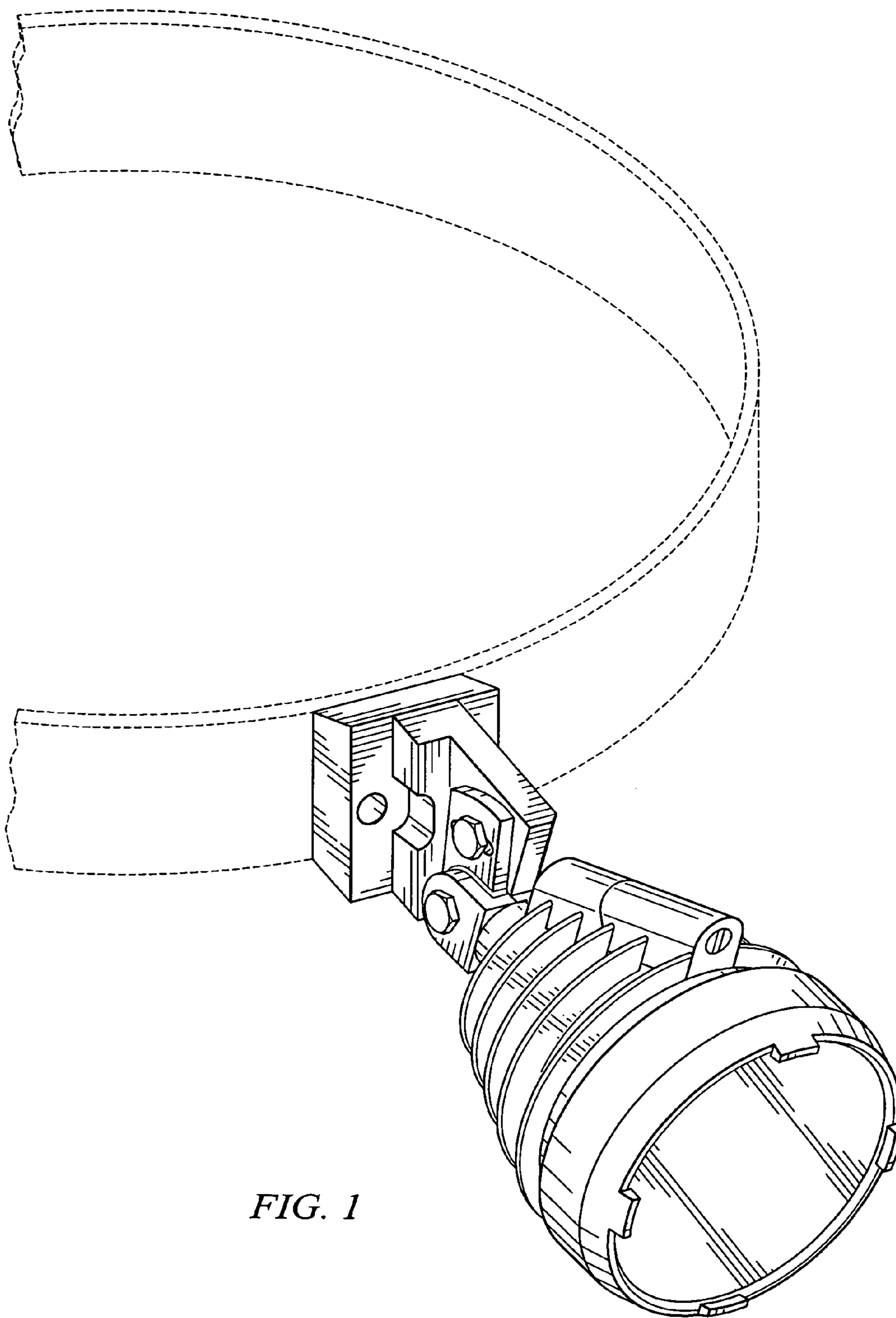


FIG. 1

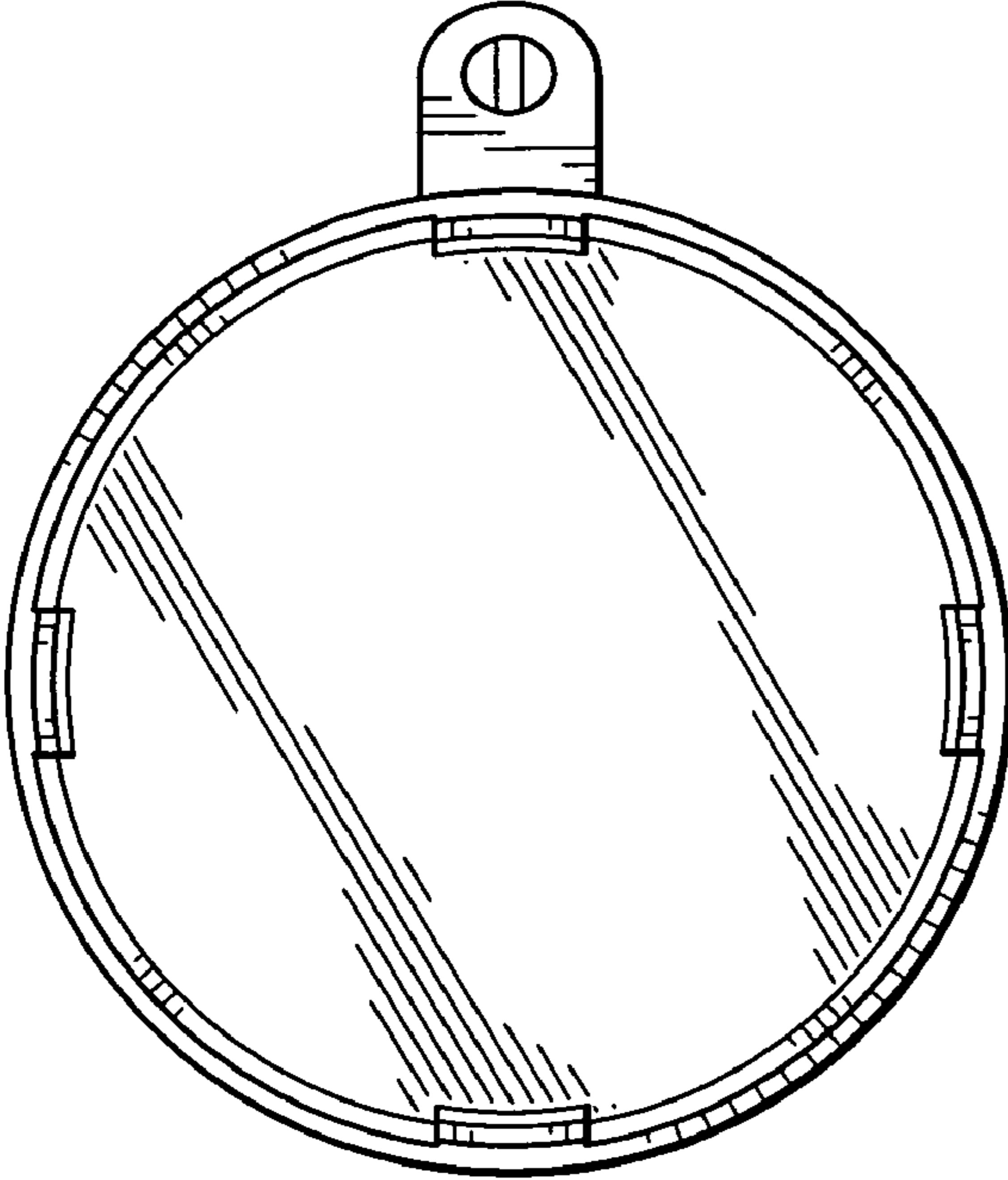


FIG. 2

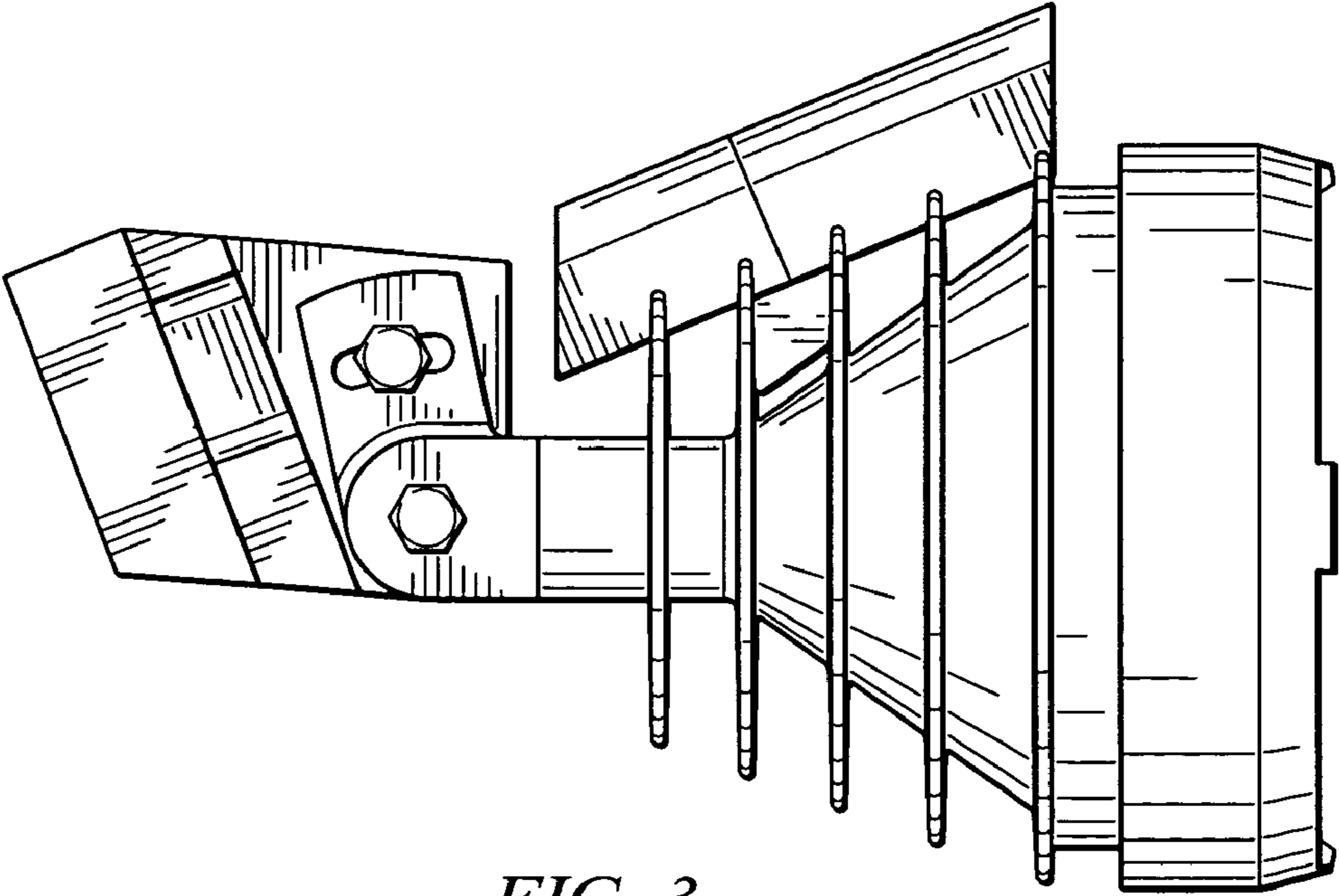


FIG. 3

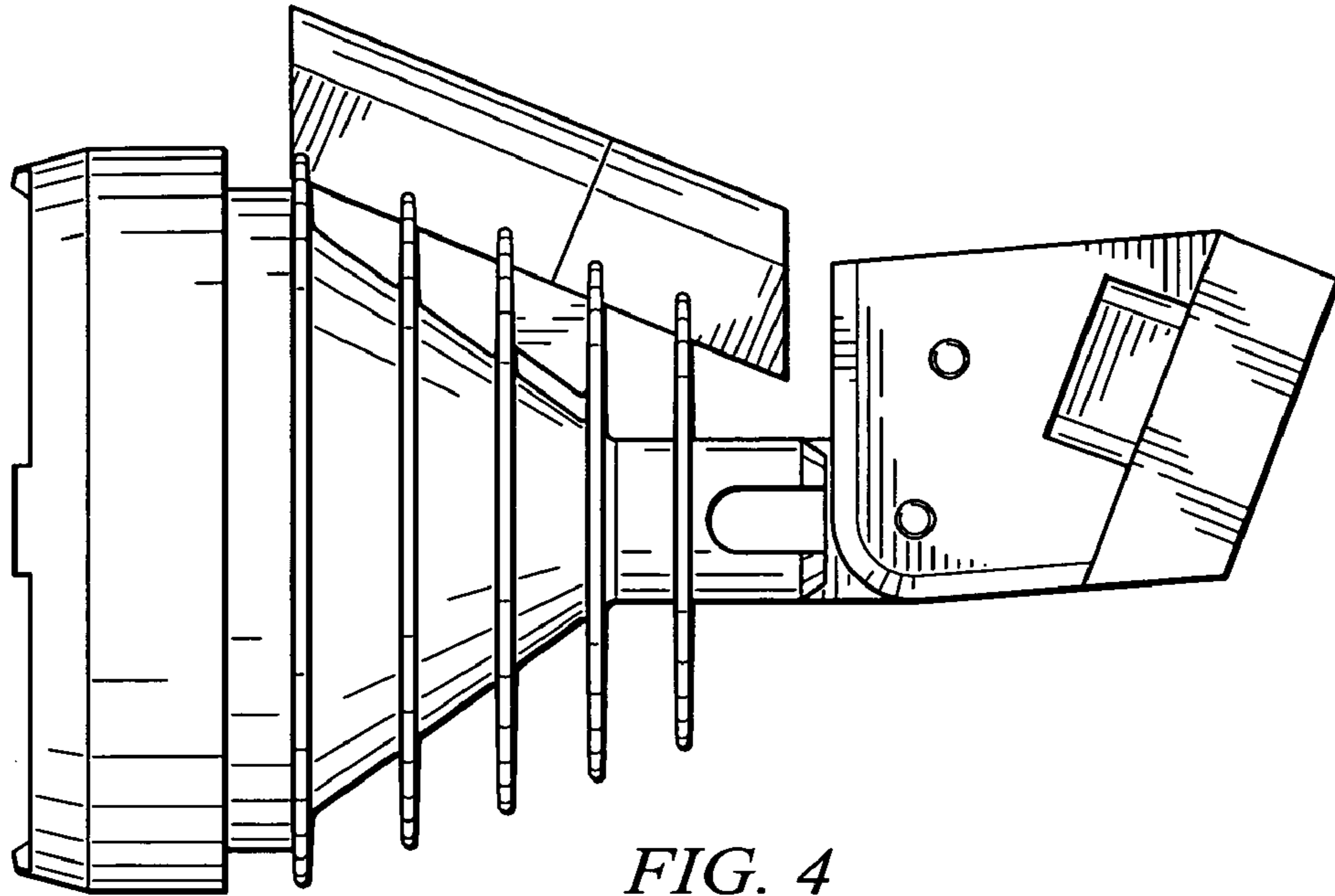


FIG. 4

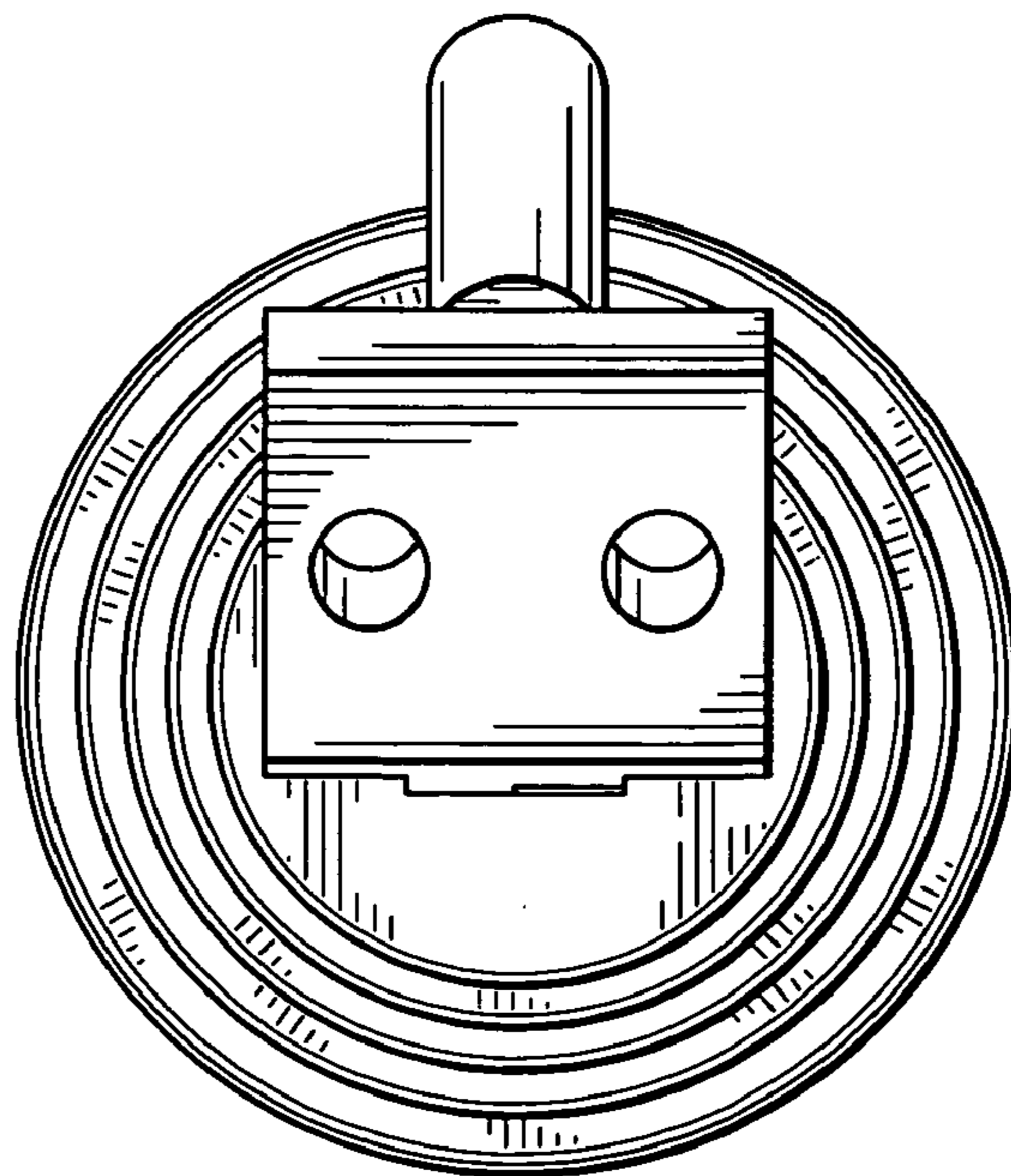


FIG. 5

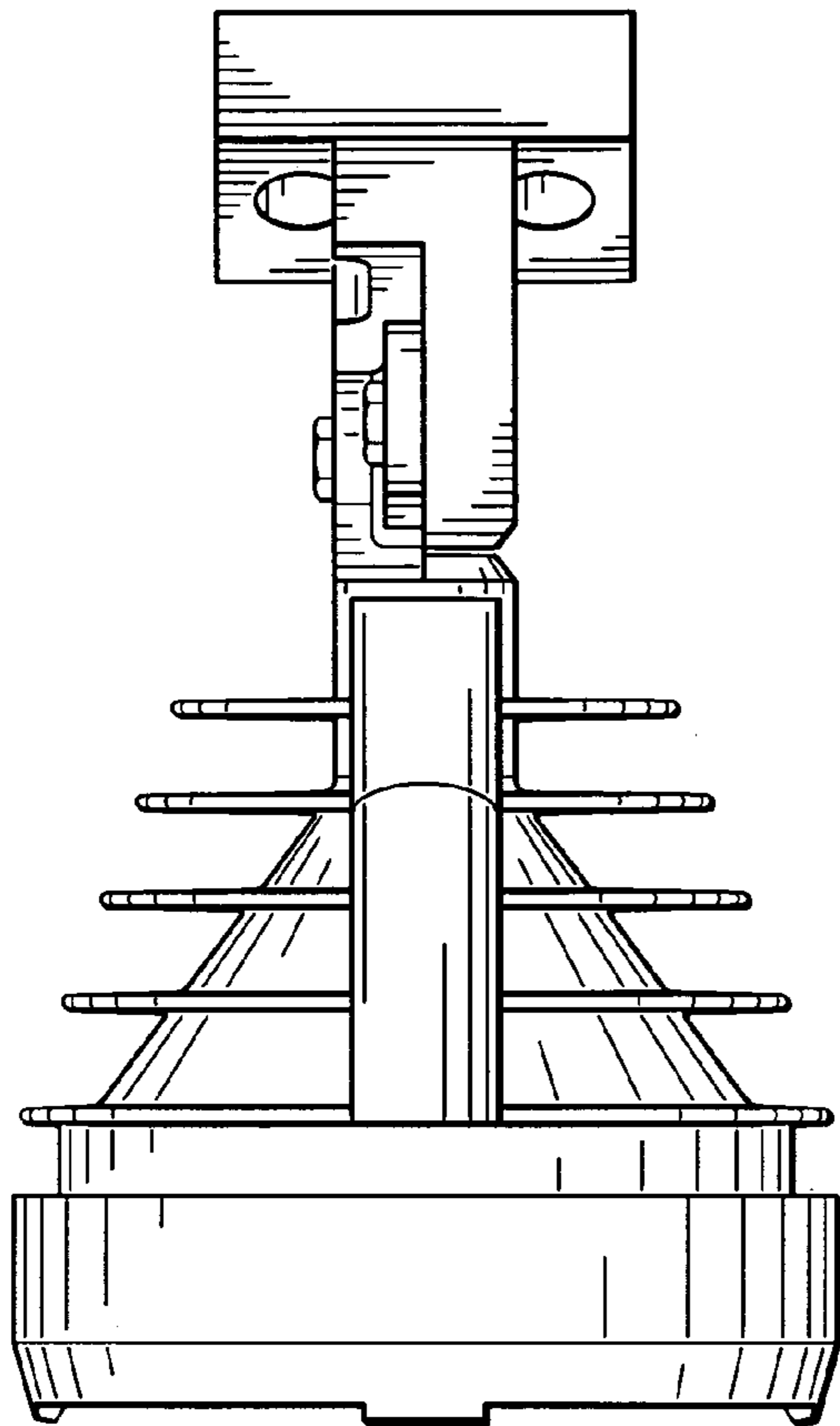


FIG. 6

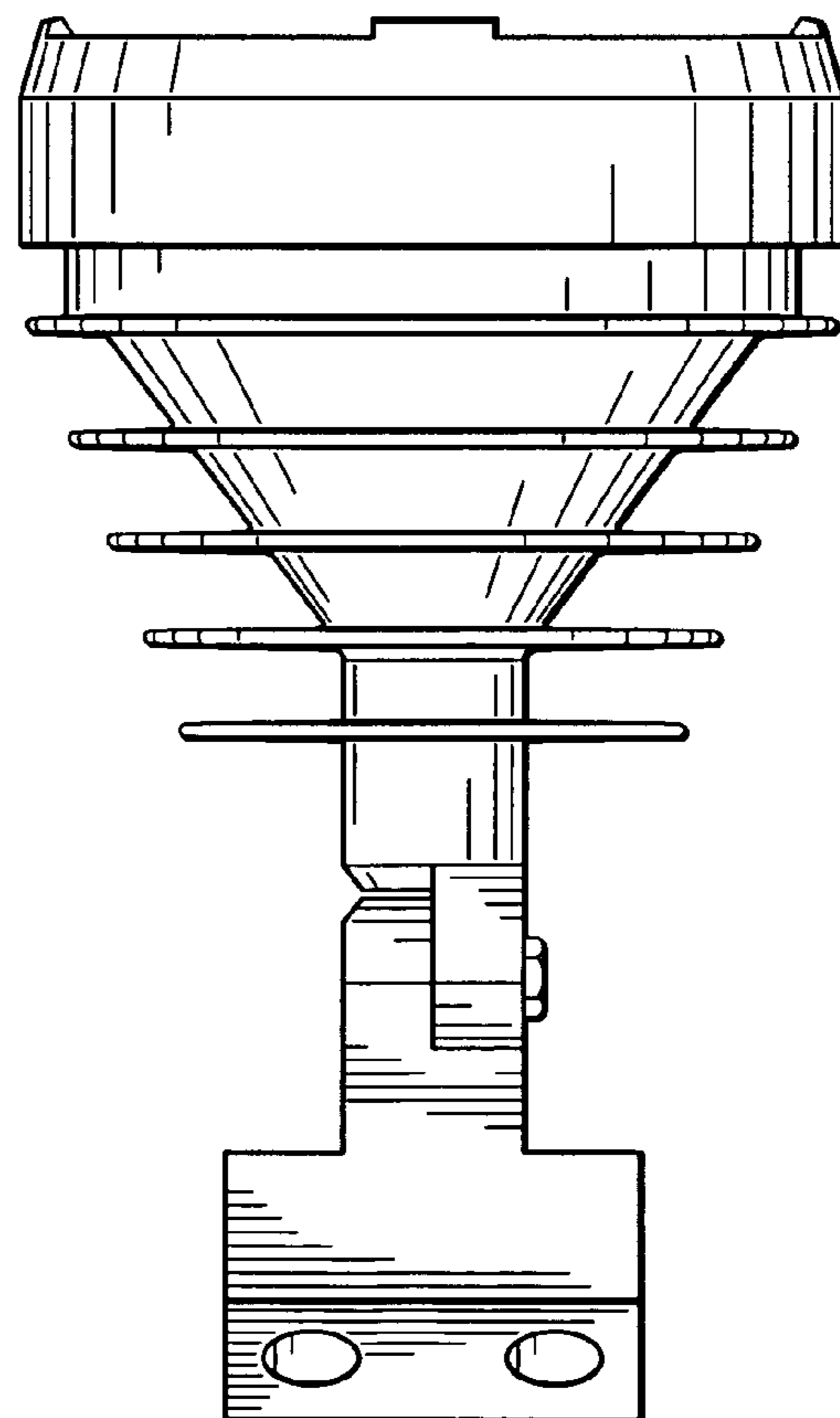


FIG. 7