



US00D648867S

(12) **United States Design Patent**
Guzzini

(10) **Patent No.:** **US D648,867 S**

(45) **Date of Patent:** **** *Nov. 15, 2011**

(54) **LIGHTING SUPPORT POST**

(75) Inventor: **Adolfo Guzzini**, Recanati (IT)

(73) Assignee: **Iguzzini Illuminazione S.p.A.**, Recanati (IT)

(*) Notice: This patent is subject to a terminal disclaimer.

(**) Term: **14 Years**

(21) Appl. No.: **29/376,399**

(22) Filed: **Oct. 6, 2010**

(30) **Foreign Application Priority Data**

Apr. 7, 2010 (EP) 001691395

(51) **LOC (9) Cl.** **25-01**

(52) **U.S. Cl.** **D25/126**

(58) **Field of Classification Search** D25/126;
52/651.07, 651.02; 362/431

See application file for complete search history.

(56) **References Cited**

U.S. PATENT DOCUMENTS

3,270,480	A *	9/1966	Beecker	52/848
5,426,574	A *	6/1995	Carolfi	362/235
6,167,673	B1 *	1/2001	Fournier	52/848
D460,569	S *	7/2002	Cox	D25/126
6,742,314	B2 *	6/2004	Young	52/835
RE40,228	E *	4/2008	Savoca	362/431
D604,866	S *	11/2009	Randazzo	D25/126

* cited by examiner

Primary Examiner — Doris Clark

(74) *Attorney, Agent, or Firm* — Abelman Frayne & Schwab

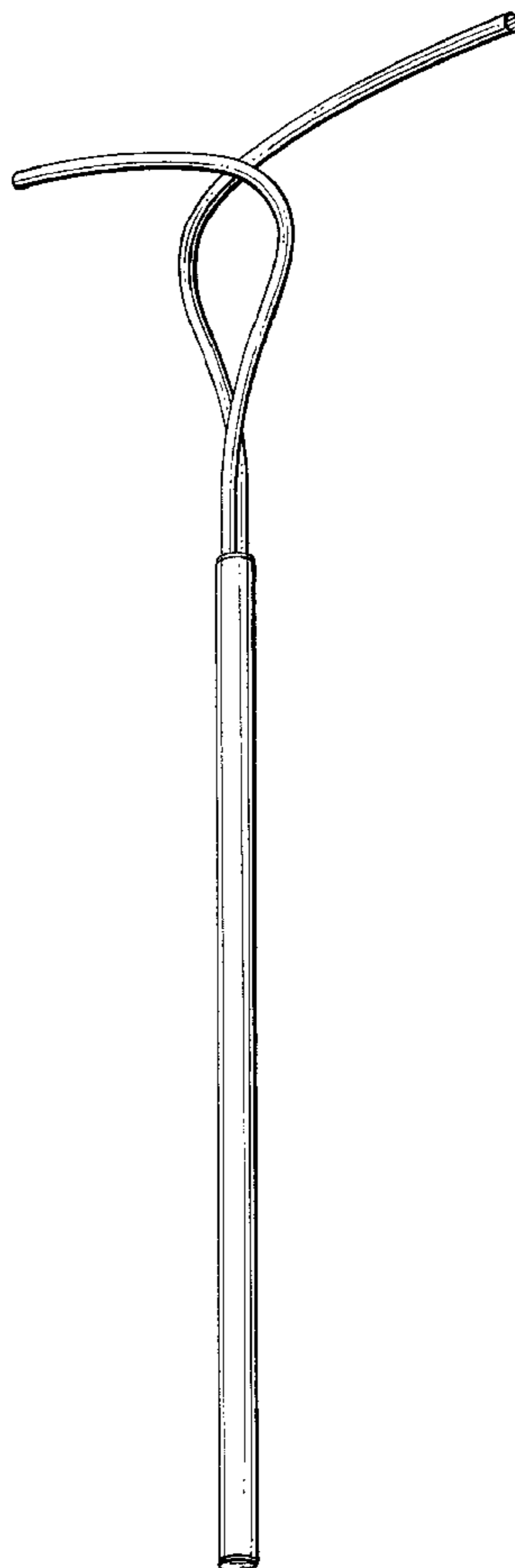
(57) **CLAIM**

The ornamental design for a lighting support post, as shown and described.

DESCRIPTION

FIG. 1 is a front, right-side bottom perspective view showing my new lighting support post design; FIG. 2 is a front elevational view thereof, the rear view being a mirror image thereof; FIG. 3 is a top plan view thereof; FIG. 4 is a side elevational view thereof, with the opposite side being a mirror image thereof; and, FIG. 5 is a bottom plan view thereof.

1 Claim, 3 Drawing Sheets



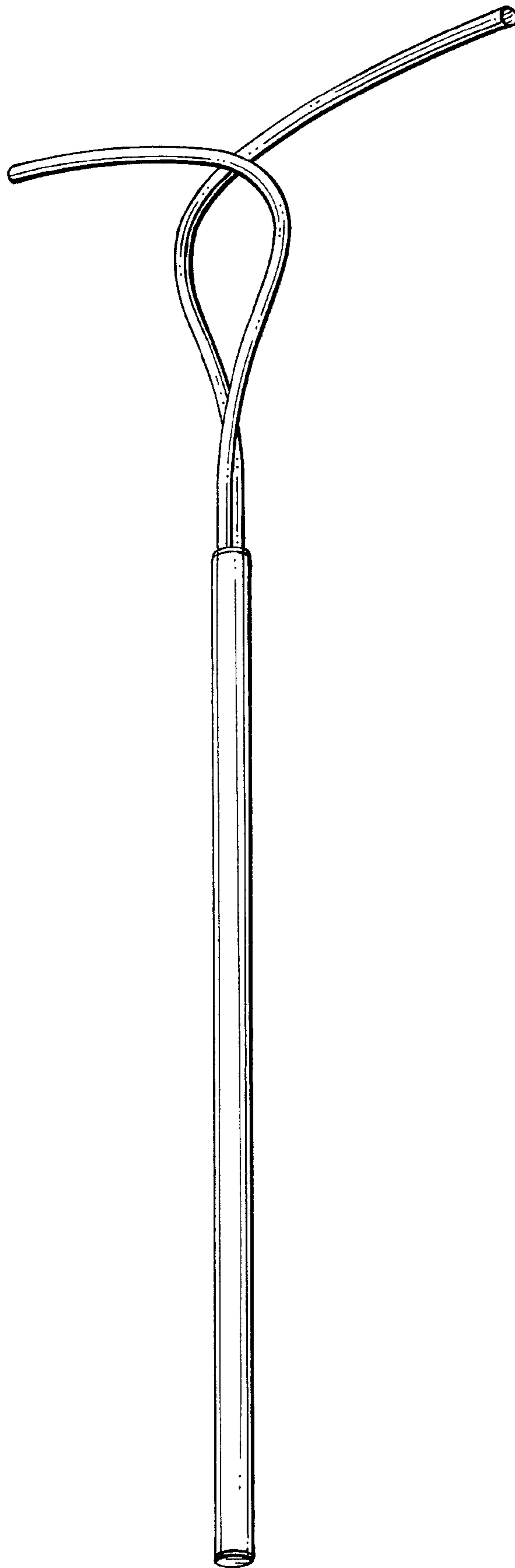


FIG. 1

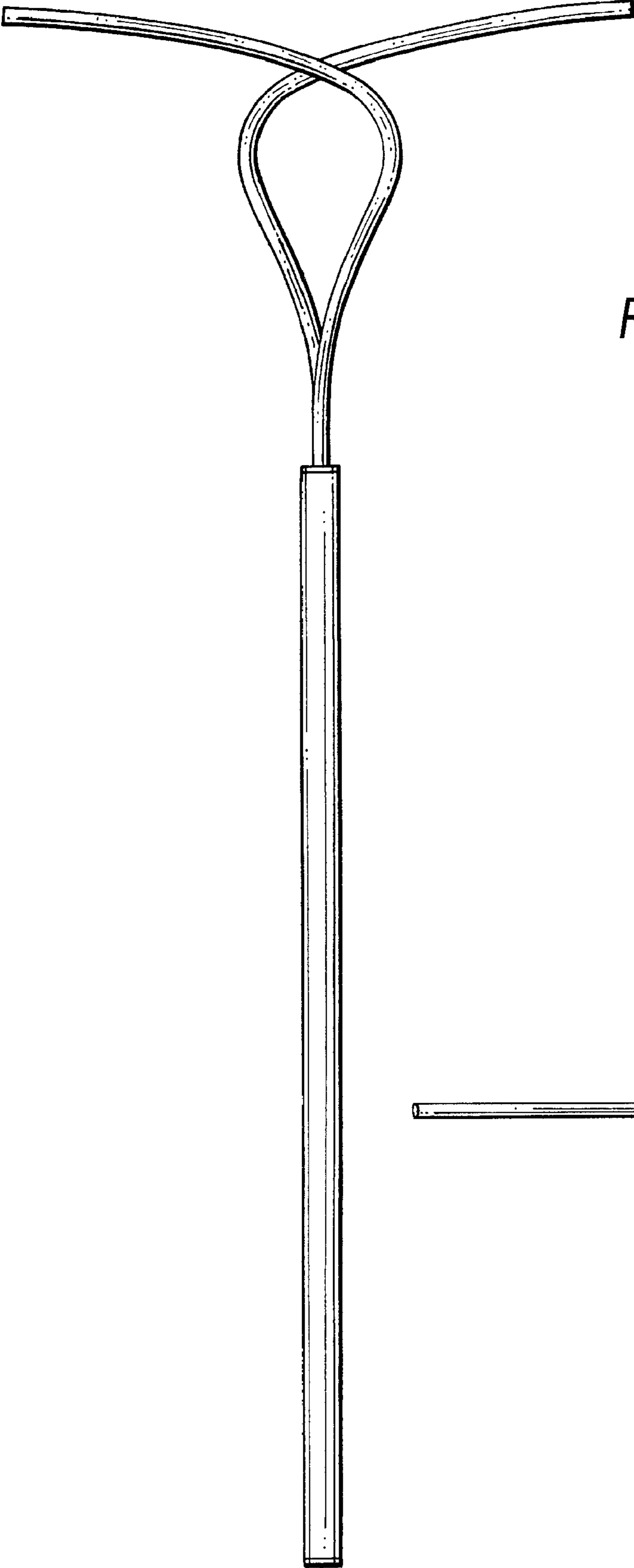


FIG. 2



FIG. 3



FIG. 4



FIG. 5