



US00D648866S

(12) **United States Design Patent**
D'Anglade

(10) **Patent No.:** **US D648,866 S**

(45) **Date of Patent:** **** Nov. 15, 2011**

(54) **FORMWORK FOR FORMING CONCRETE COLUMNS**

6,668,511 B2 * 12/2003 Xammar 249/1
D583,081 S * 12/2008 Ryan D25/126
D616,115 S * 5/2010 Clayton D25/126

(76) Inventor: **Pierre-Michel D'Anglade, Quebec (CA)**

FOREIGN PATENT DOCUMENTS

(**) Term: **14 Years**

CA 00142780-0001 7/2009
CA 00142780-0002 7/2009
CA 00142780-0003 7/2009

(21) Appl. No.: **29/365,688**

* cited by examiner

(22) Filed: **Jul. 13, 2010**

Primary Examiner — Doris Clark

(30) **Foreign Application Priority Data**

(74) *Attorney, Agent, or Firm* — Dority & Manning, P.A.

Apr. 29, 2010 (CA) 135247

(51) **LOC (9) Cl.** **25-01**

(57) **CLAIM**

(52) **U.S. Cl.** **D25/126**

The ornamental design for a formwork for forming concrete columns, as shown and described.

(58) **Field of Classification Search** D25/126;
249/188, 144, 189, 13, 18, 48, 16; 52/223.8

DESCRIPTION

See application file for complete search history.

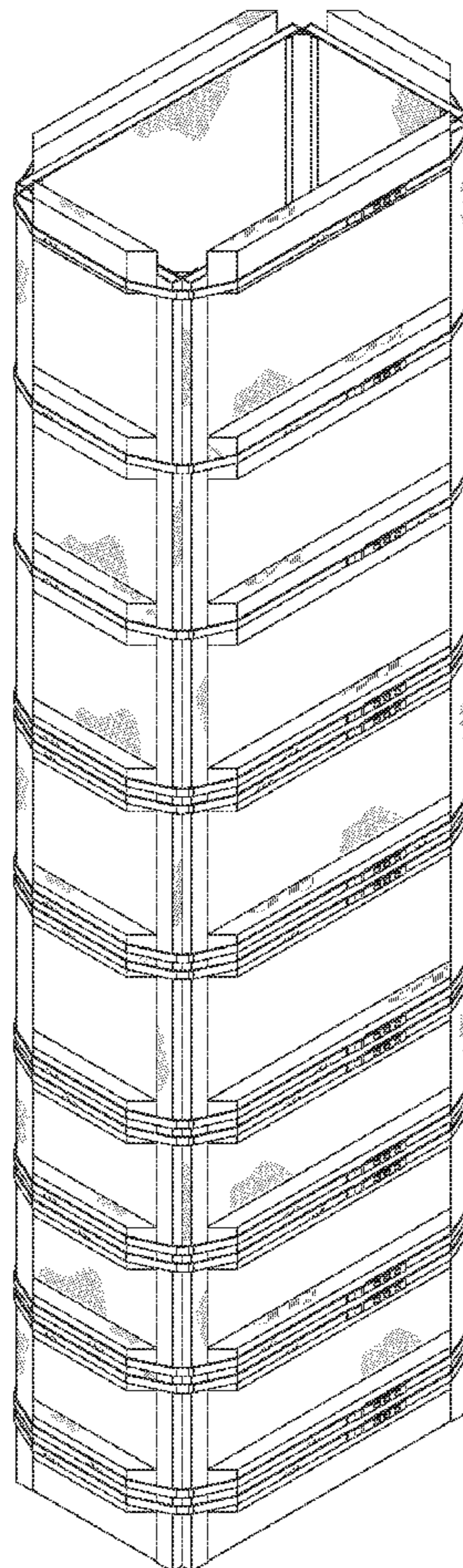
FIG. 1 is a perspective view of the article.
FIG. 2 is a side elevation view thereof.
FIG. 3 is another side elevation view thereof.
FIG. 4 is a front view thereof.
FIG. 5 is a rear view thereof.
FIG. 6 is a top view thereof; and,
FIG. 7 is a bottom view thereof.

(56) **References Cited**

U.S. PATENT DOCUMENTS

3,542,914 A * 11/1970 Lavergne, Jr. 264/250
3,945,601 A * 3/1976 Rowley 249/48
4,854,542 A * 8/1989 Pruett 249/48
4,887,789 A * 12/1989 Harris et al. 249/16
5,255,888 A * 10/1993 Workman 249/48

1 Claim, 7 Drawing Sheets



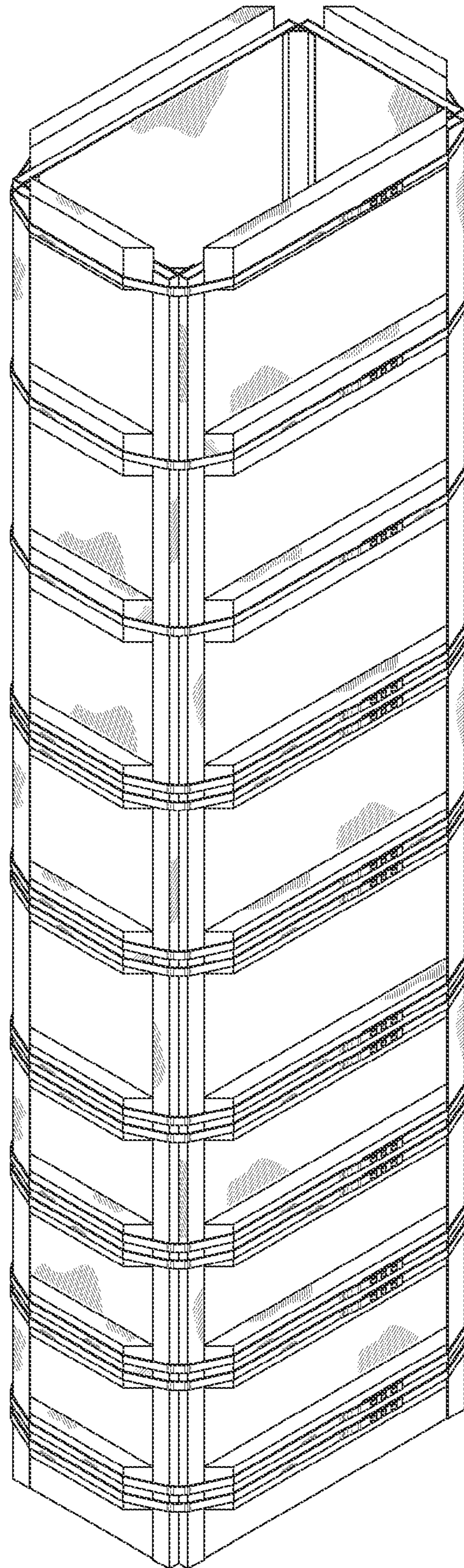


FIG. 1

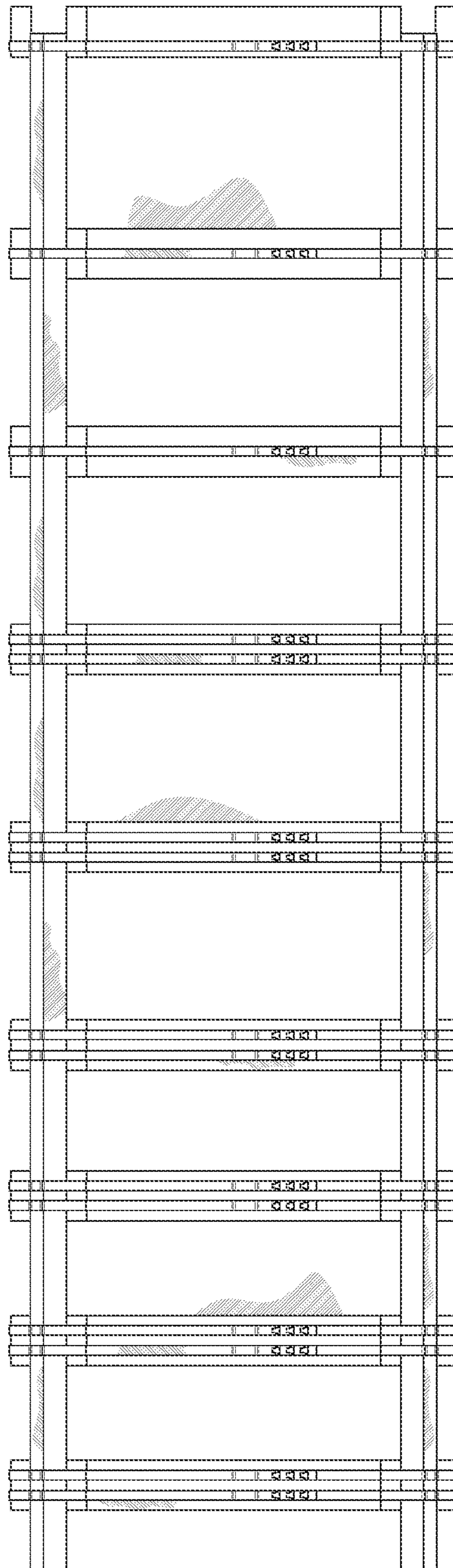


FIG. 2

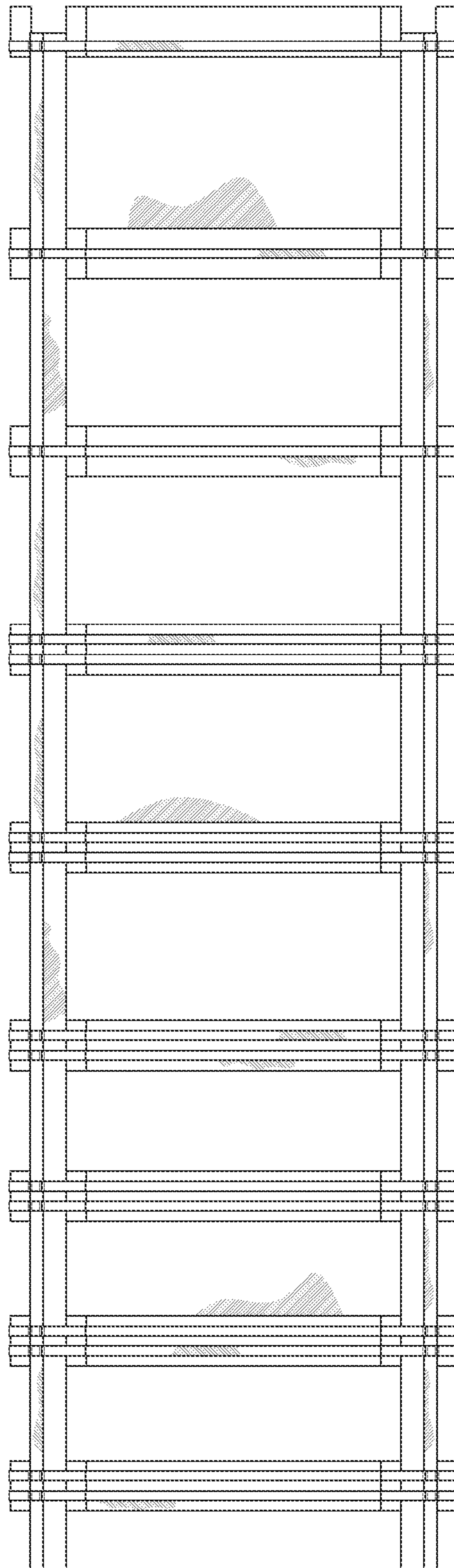


FIG. 3

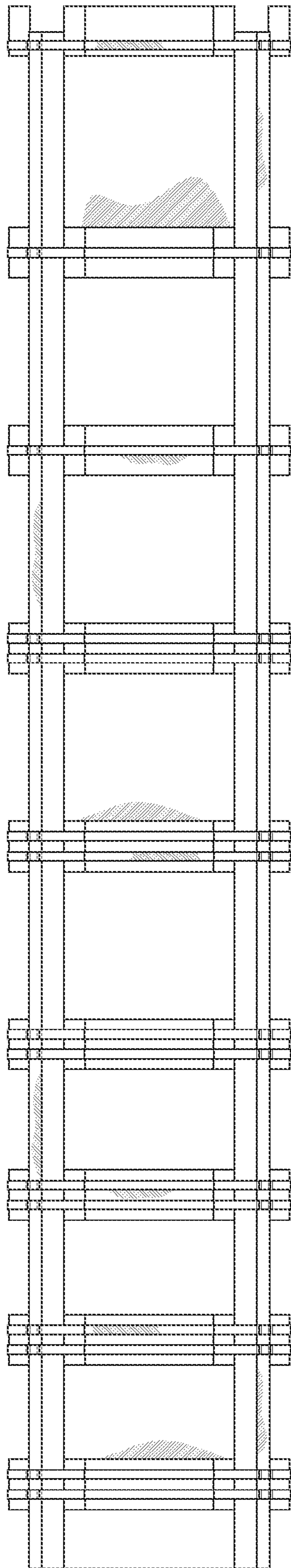


FIG. 4

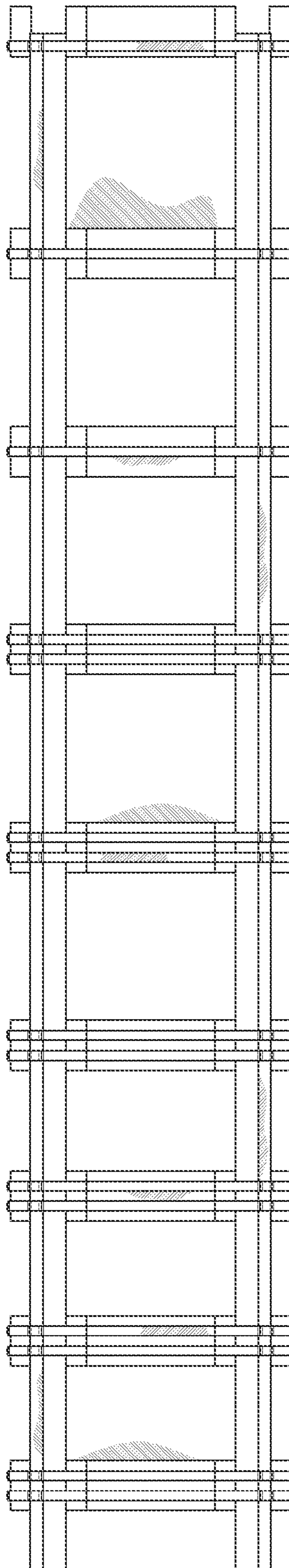


FIG. 5

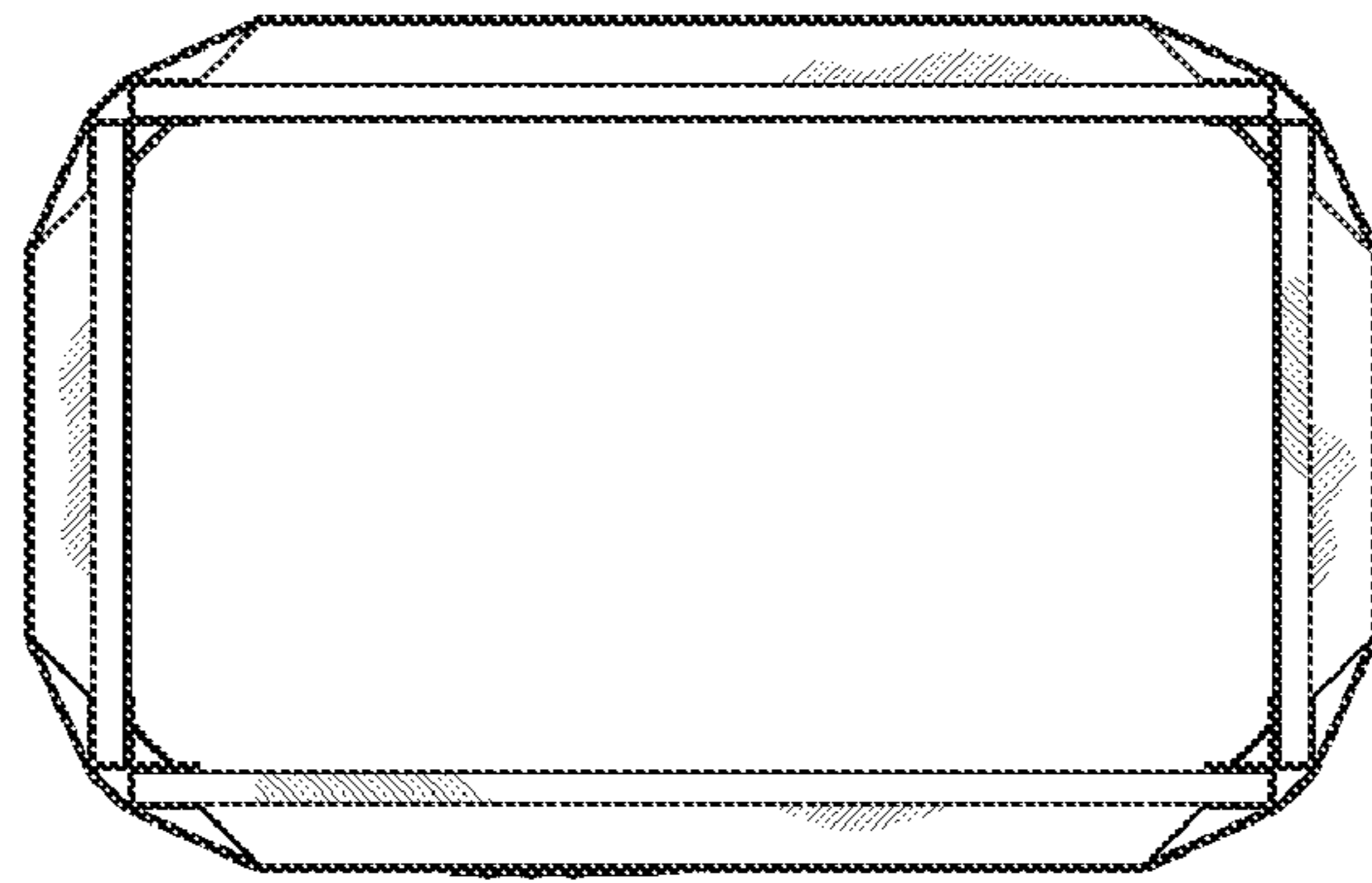


FIG. 6

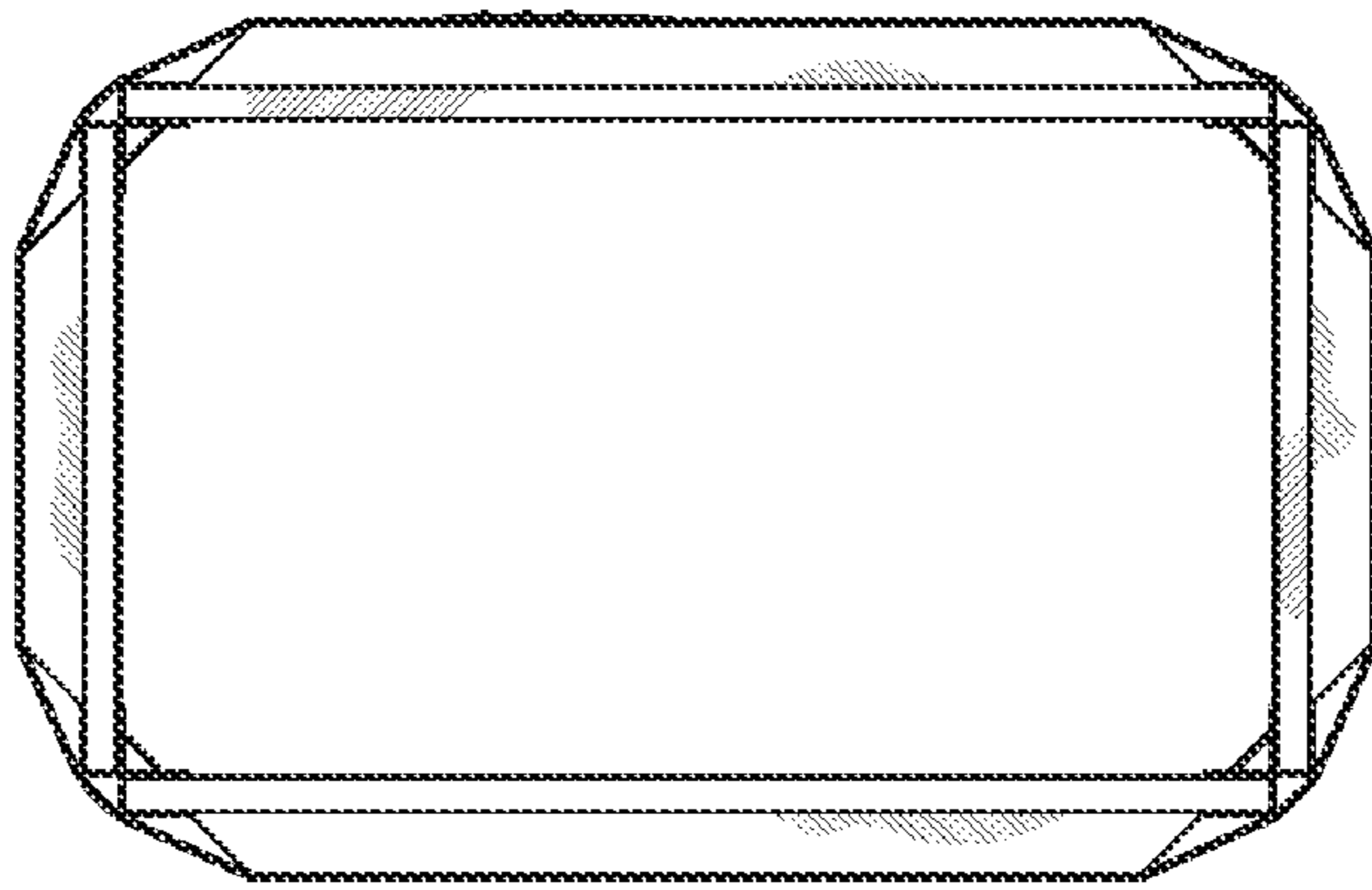


FIG. 7