



US00D648863S

(12) **United States Design Patent**
Gullicks et al.

(10) **Patent No.:** **US D648,863 S**
(45) **Date of Patent:** **** Nov. 15, 2011**

- (54) **DUAL CHAMBER CARTRIDGE**
- (75) Inventors: **Scott D. Gullicks**, Apple Valley, MN (US); **Jeffrey R. Janssen**, Ho Chi Minh (VN); **Mark F. Schulz**, Lake Elmo, MN (US); **Ryan Patrick Simmers**, Cottage Grove, MN (US)
- (73) Assignee: **3M Innovative Properties Company**, St. Paul, MN (US)
- (**) Term: **14 Years**
- (21) Appl. No.: **29/387,015**
- (22) Filed: **Mar. 8, 2011**

- 5,386,928 A 2/1995 Blette
- 6,047,861 A 4/2000 Vidal et al.
- 6,129,244 A 10/2000 Horth
- 6,244,740 B1 6/2001 Wagner et al.
- 6,311,871 B1 11/2001 Binder
- 6,352,177 B1 3/2002 Bublewitz et al.
- D458,369 S 6/2002 Helmholtz
- 6,457,609 B1 10/2002 Keller
- 6,523,992 B1 2/2003 Bublewitz et al.
- 6,578,738 B1 6/2003 Keller
- 6,631,829 B1 10/2003 Wagner et al.
- D510,769 S 10/2005 Bublewitz
- D514,705 S 2/2006 Bublewitz
- D544,610 S 6/2007 Ouchi
- D581,044 S 11/2008 Sudo
- D594,131 S 6/2009 Nguyen
- D601,250 S 9/2009 Haunschild
- D603,668 S 11/2009 Gullicks

(Continued)

Related U.S. Application Data

- (62) Division of application No. 29/325,462, filed on Oct. 1, 2008, now Pat. No. Des. 636,500.
- (51) **LOC (9) Cl.** **28-03**
- (52) **U.S. Cl.** **D24/221; D24/130**
- (58) **Field of Classification Search** D9/414, D9/711, 723, 730, 734, 740, 434, 436, 455, D9/457, 501, 517; D24/130, 133, 216, 221, D24/224; D7/706; D8/14.1; 604/195, 181, 604/110, 130, 87, 227, 232, 228, 191, 220, 604/222, 224, 218

See application file for complete search history.

References Cited

U.S. PATENT DOCUMENTS

- 3,767,085 A 10/1973 Cannon
- 3,933,273 A 1/1976 Cox
- D251,104 S 2/1979 Sanchez
- 4,691,845 A 9/1987 Schwartz
- D309,015 S 7/1990 Fechtner
- D349,054 S 7/1994 Cross
- 5,338,309 A * 8/1994 Imbert 604/187
- D353,995 S 1/1995 Foster

FOREIGN PATENT DOCUMENTS

- CN 1496280 5/2004

(Continued)

Primary Examiner — Thomas Johannes

(74) *Attorney, Agent, or Firm* — Philip P. Soo

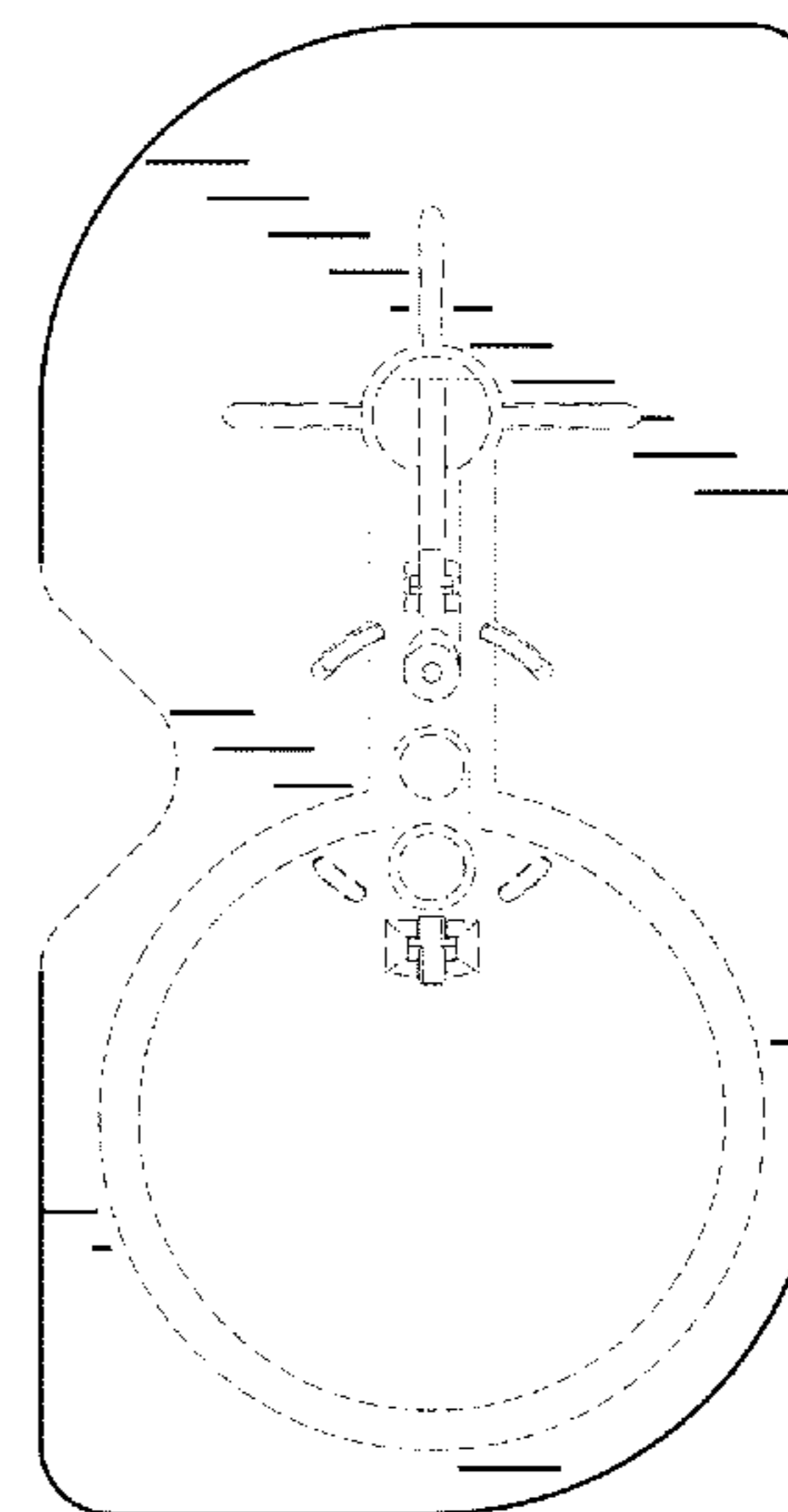
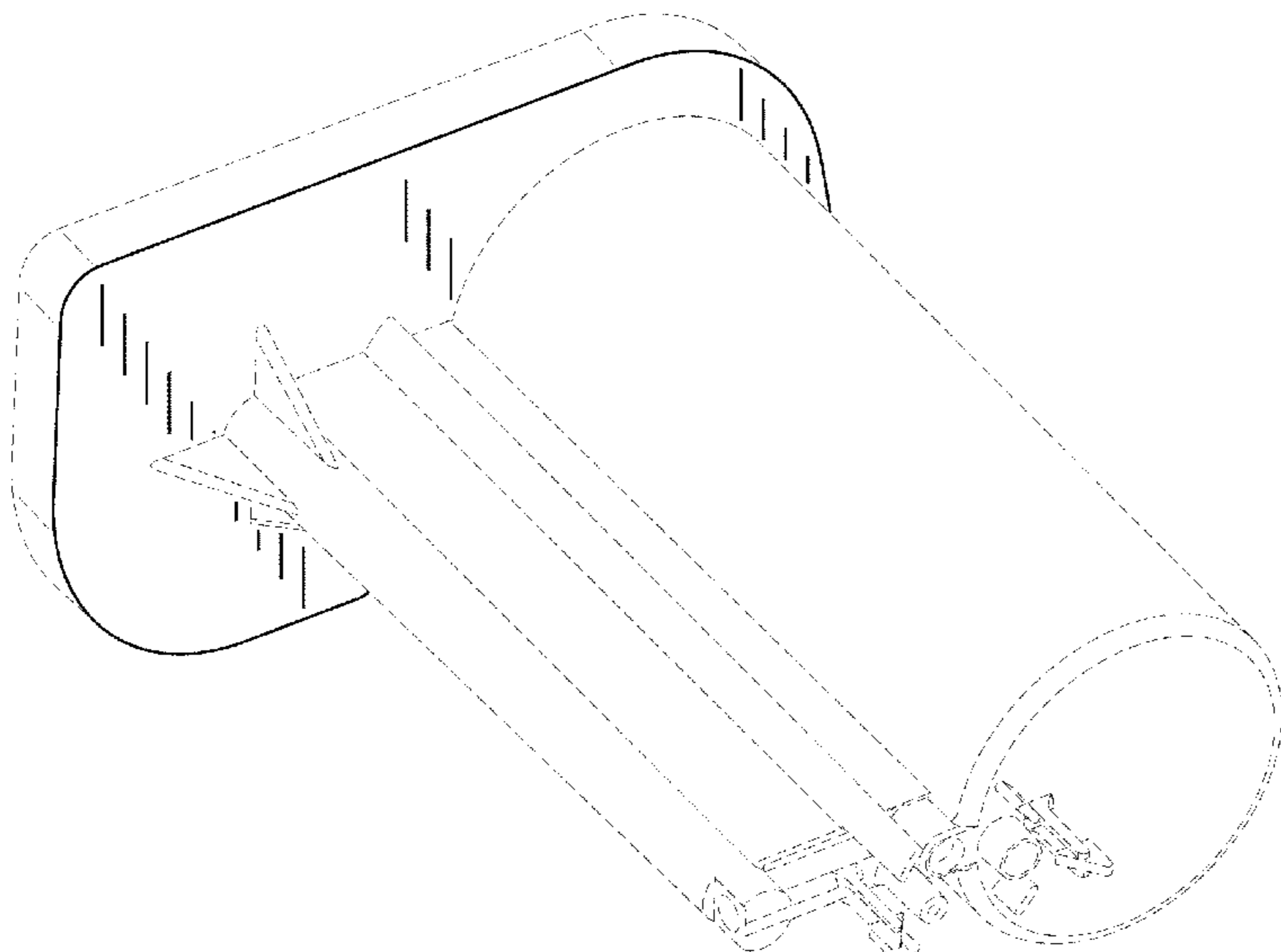
(57) **CLAIM**

The ornamental design for a dual chamber cartridge, as shown and described.

DESCRIPTION

FIG. 1 is a perspective view of a dual chamber cartridge, showing our new design;
 FIG. 2 is a front elevation view thereof;
 FIG. 3 is a back elevation view thereof;
 FIG. 4 is a left side elevation view thereof;
 FIG. 5 is a right side elevation view thereof;
 FIG. 6 is a top plan view thereof; and,
 FIG. 7 is a bottom plan view thereof.

1 Claim, 3 Drawing Sheets



US D648,863 S

Page 2

U.S. PATENT DOCUMENTS

D603,721	S	11/2009	Masucci	
7,674,033	B2	3/2010	Pauser	
D636,500	S	4/2011	Gullicks	
2002/0198490	A1*	12/2002	Wirt et al.	604/82
2005/0232073	A1	10/2005	Wagner et al.	
2006/0266769	A1	11/2006	Jackson	
2008/0144426	A1	6/2008	Janssen et al.	

2008/0230742 A1 9/2008 Janssen

FOREIGN PATENT DOCUMENTS

DE	3307558	9/1984
DE	4235736	3/1994
JP	2004-155484	6/2004

* cited by examiner

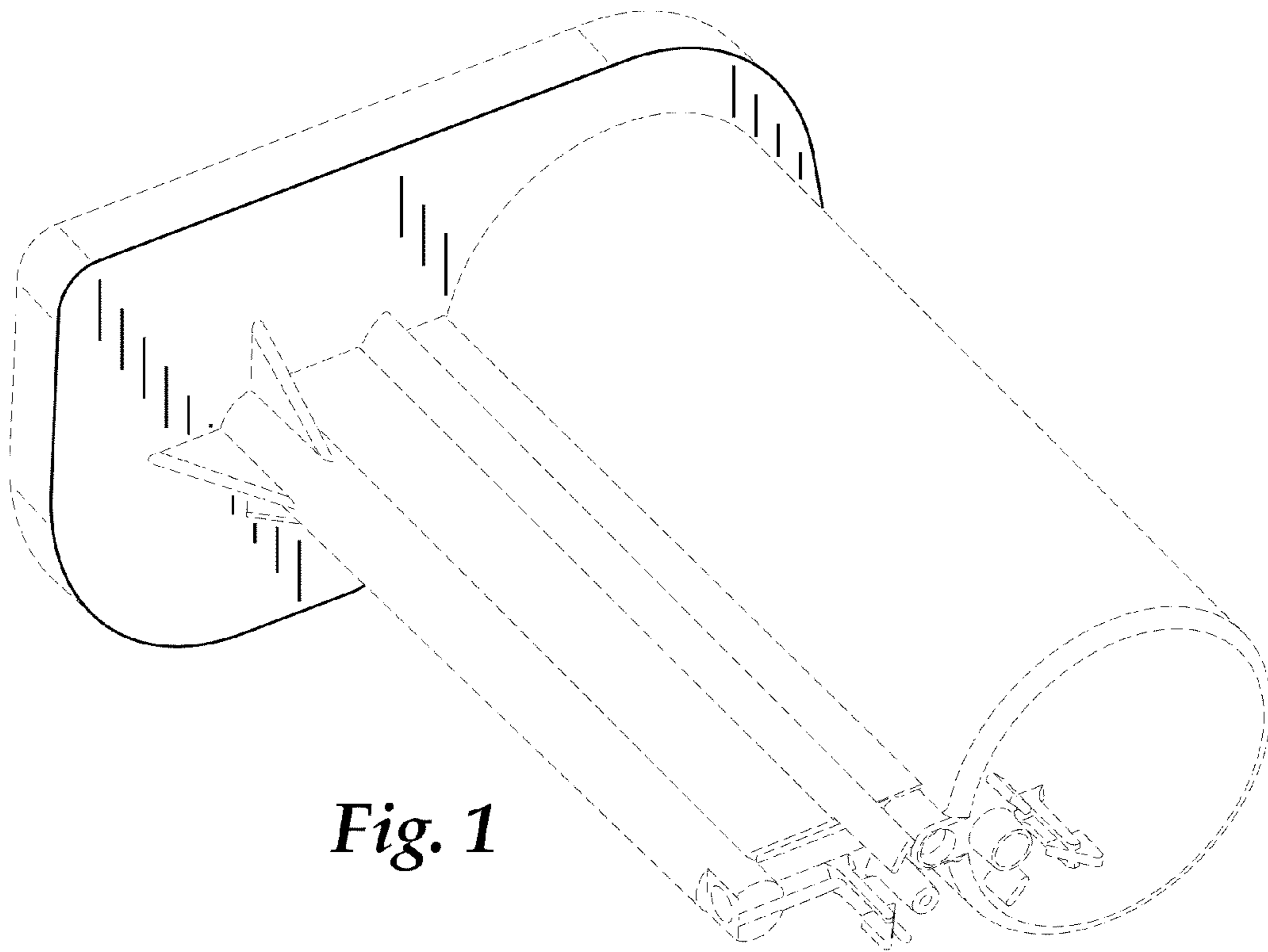


Fig. 1

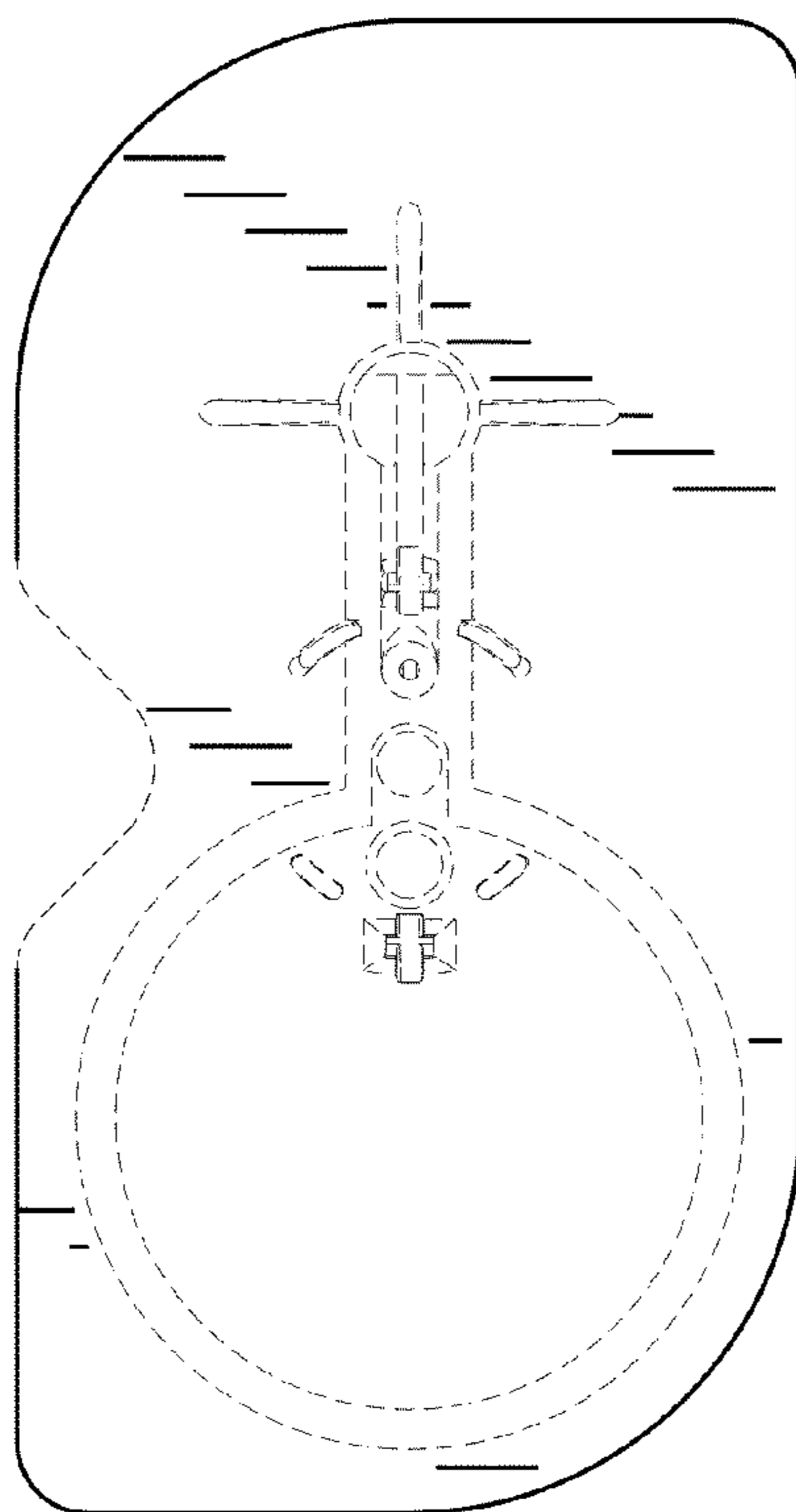


Fig. 2

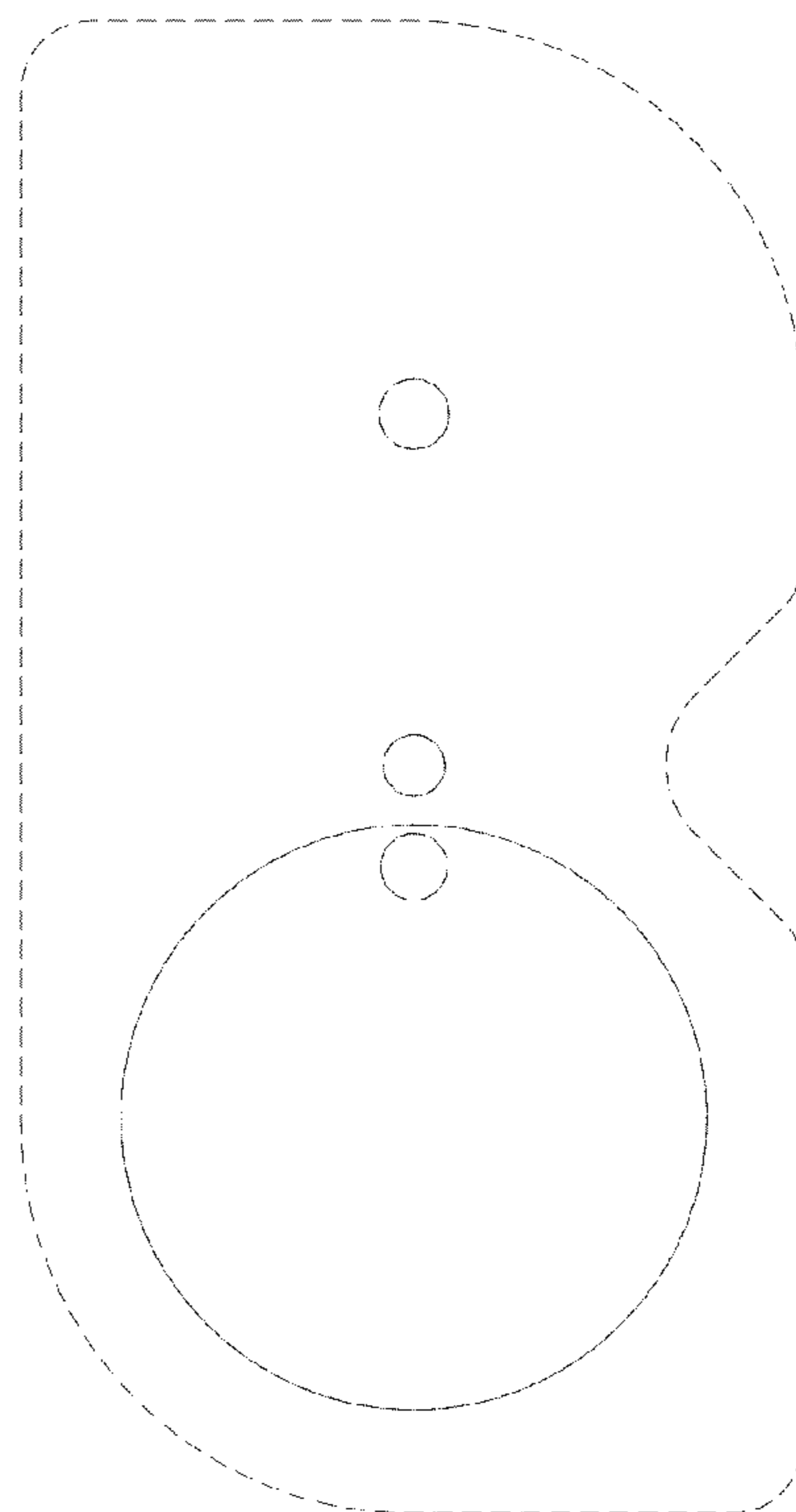


Fig. 3

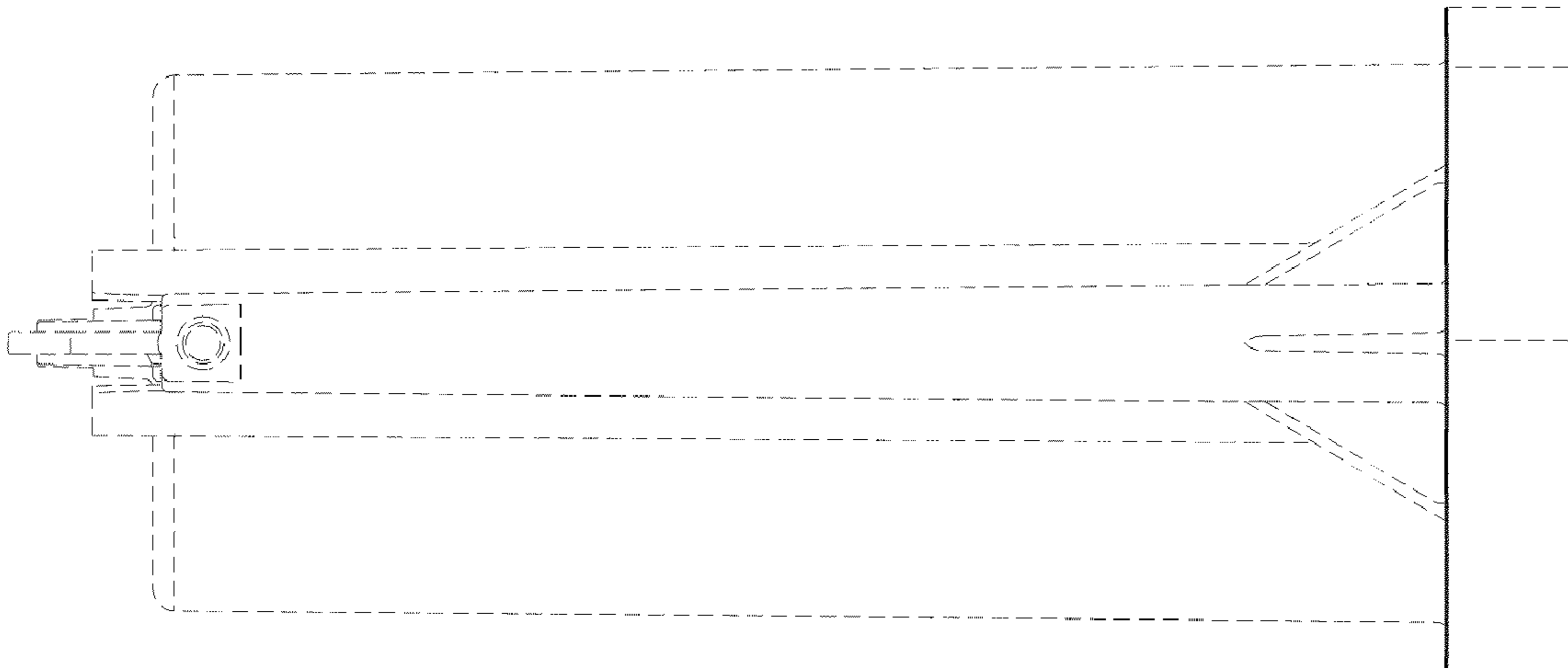


Fig. 4



Fig. 5

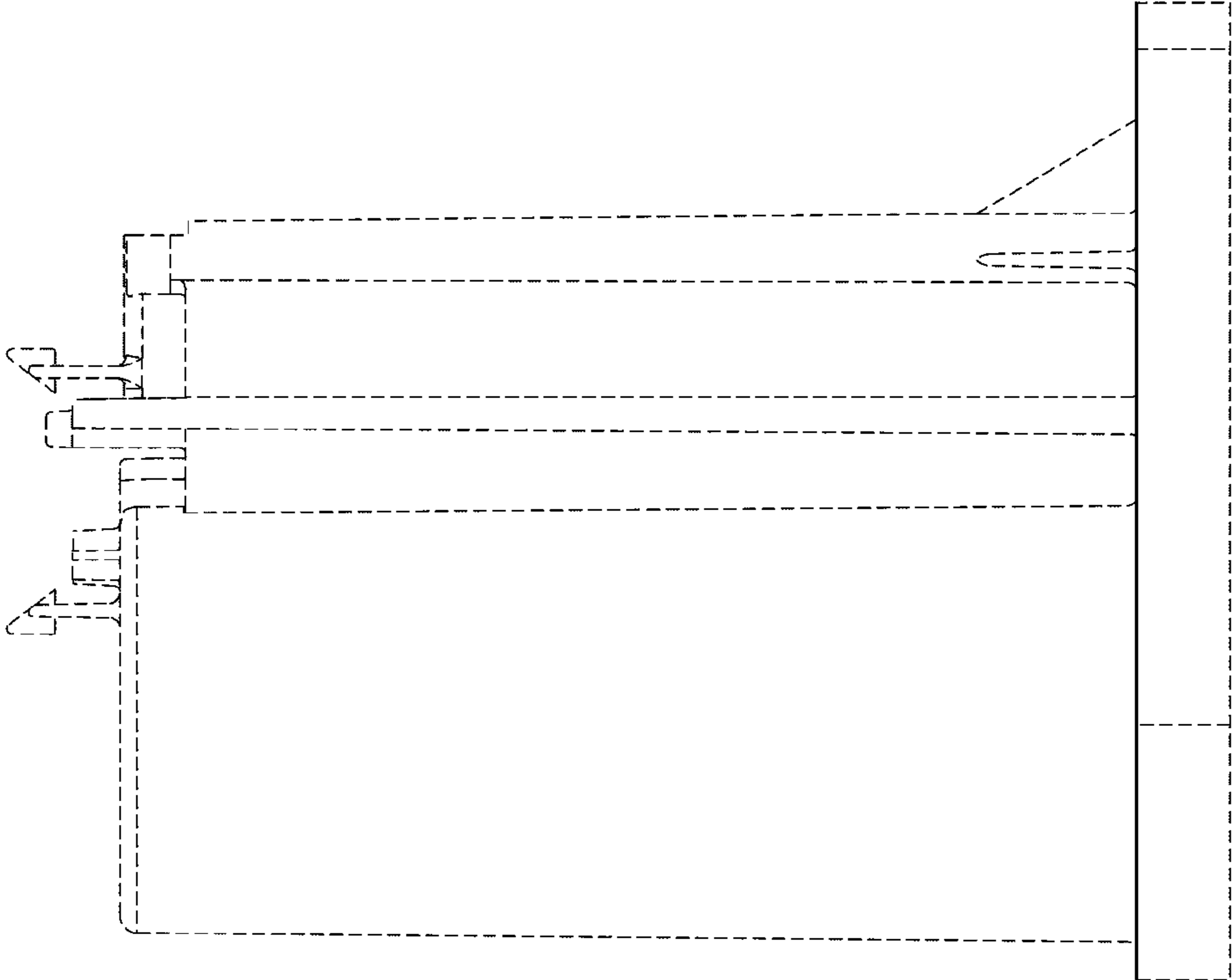


Fig. 6

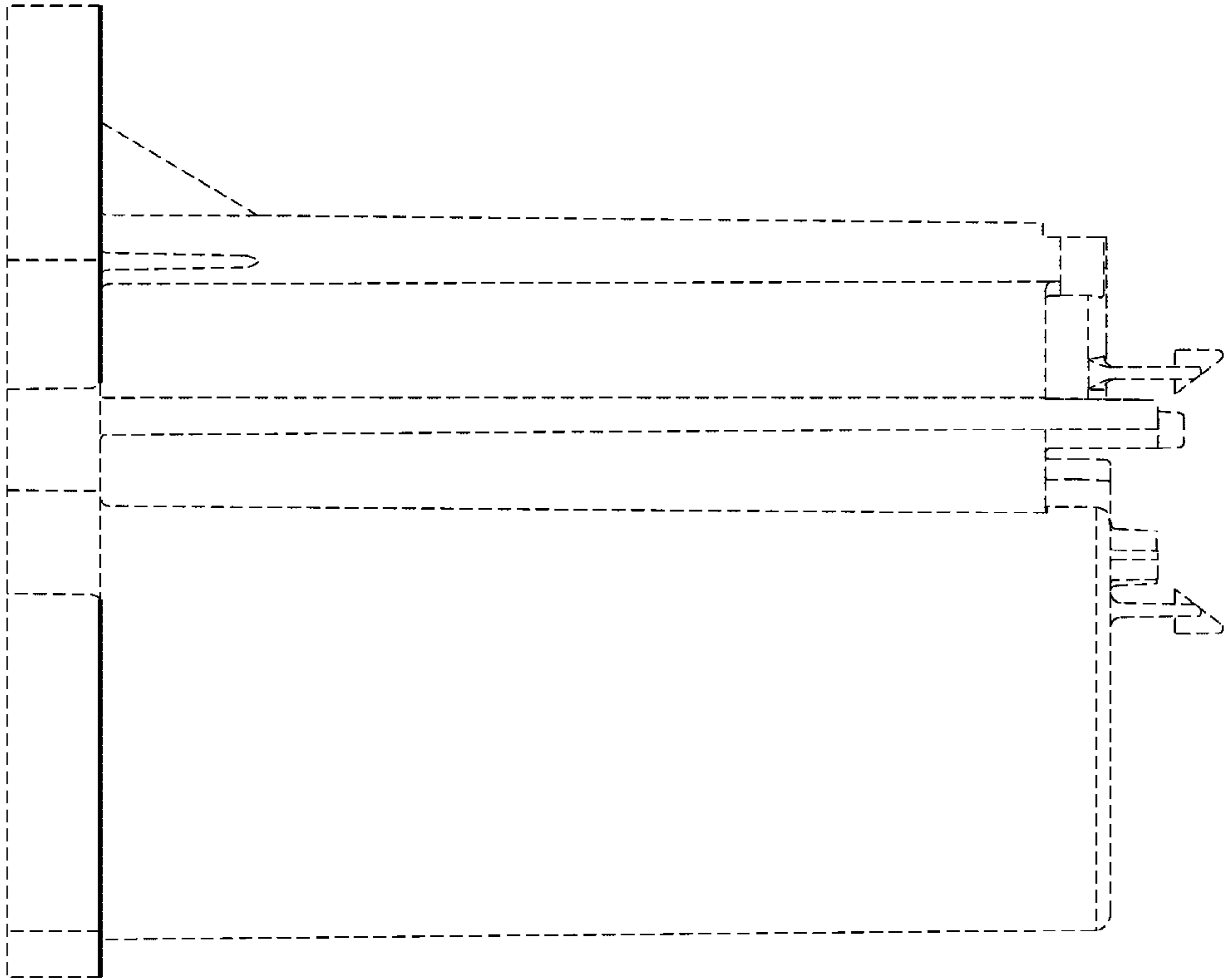


Fig. 7