



US00D648859S

(12) **United States Design Patent**
Ng

(10) **Patent No.:** **US D648,859 S**

(45) **Date of Patent:** **** Nov. 15, 2011**

(54) **LEG AND FOOT MASSAGER**

(75) Inventor: **Kwang Ling Elwyn Ng**, Singapore (SG)

(73) Assignee: **OSIM International Ltd.**, Singapore (SG)

(**) Term: **14 Years**

(21) Appl. No.: **29/377,181**

(22) Filed: **Oct. 18, 2010**

(51) **LOC (9) Cl.** **28-03**

(52) **U.S. Cl.** **D24/212**

(58) **Field of Classification Search** D24/200,
D24/211-215; 601/118, 120, 121, 124, 125,
601/130, 131, 134-137

See application file for complete search history.

(56) **References Cited**

U.S. PATENT DOCUMENTS

D340,116	S	*	10/1993	Ohashi	D24/213
D340,529	S	*	10/1993	Ohashi	D24/215
D477,415	S	*	7/2003	Miyake et al.	D24/212
D524,947	S	*	7/2006	Gleason et al.	D24/213
D527,460	S	*	8/2006	Kawamura	D24/200
D535,402	S	*	1/2007	Lifeng et al.	D24/213
D535,751	S	*	1/2007	Lifeng et al.	D24/213
D548,352	S	*	8/2007	Maesawa et al.	D24/212
D548,353	S	*	8/2007	Maesawa et al.	D24/212
7,273,461	B2	*	9/2007	Baek	601/151

D584,826	S	*	1/2009	Ng	D24/213
D590,065	S	*	4/2009	Yuyama et al.	D24/212
2007/0078362	A1	*	4/2007	Chen	601/94

* cited by examiner

Primary Examiner — Sandra Snapp

(74) *Attorney, Agent, or Firm* — Baker & McKenzie LLP

(57) **CLAIM**

The ornamental design for a leg and foot massager, as illustrated and described.

DESCRIPTION

FIG. 1 is a front perspective view of the leg and foot massager in accordance with my design;

FIG. 2 is a back perspective view of the leg and foot massager shown in FIG. 1;

FIG. 3 is a front view of the leg and foot massager shown in FIGS. 1-2;

FIG. 4 is a back view of the leg and foot massager shown in FIGS. 1-3;

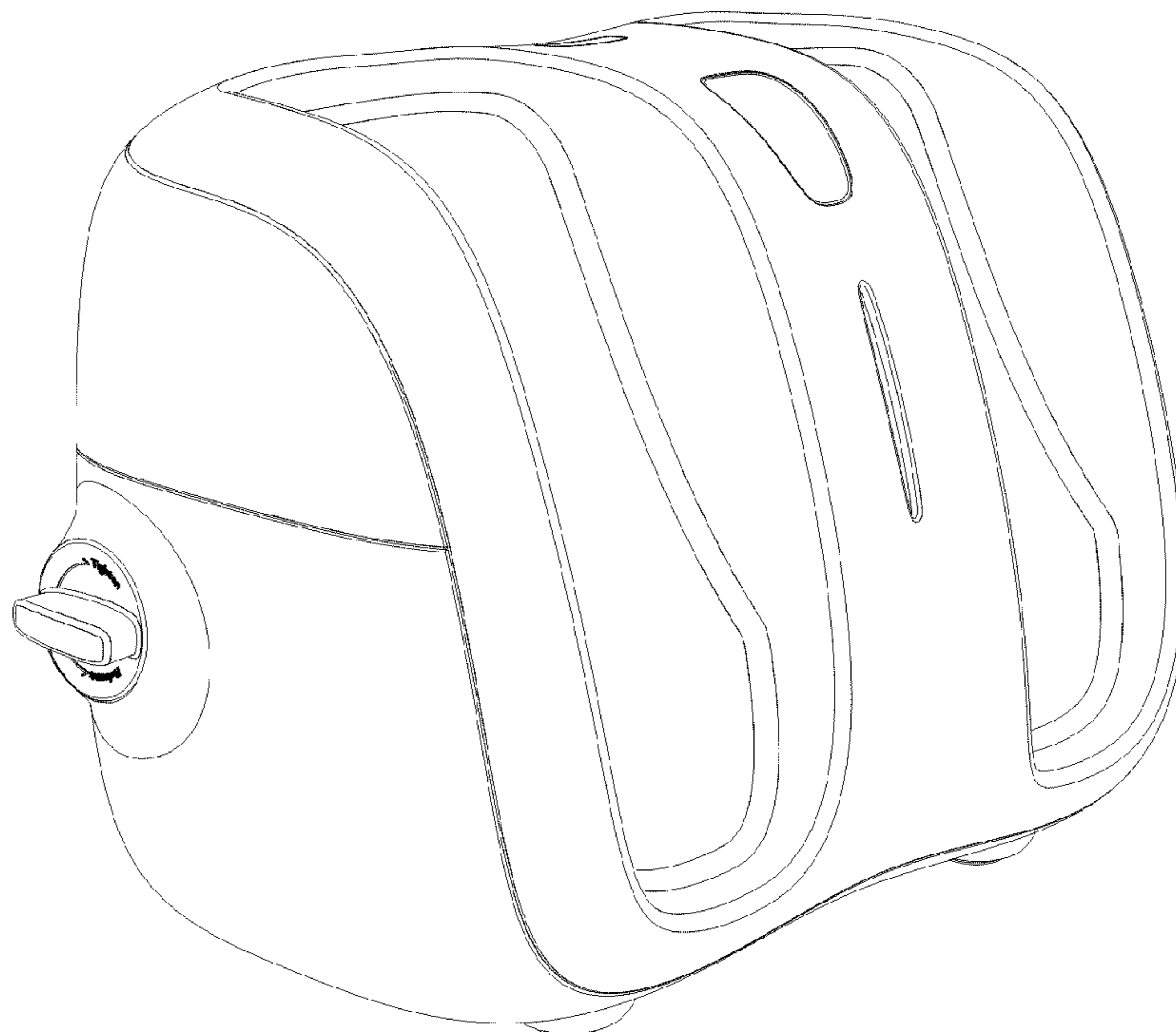
FIG. 5 is a left side view of the leg and foot massager shown in FIGS. 1-4;

FIG. 6 is a right side view of the leg and foot massager shown in FIGS. 1-5;

FIG. 7 is a top view of the leg and foot massager shown in FIGS. 1-6; and,

FIG. 8 is a bottom view of the leg and foot massager shown in FIGS. 1-7.

1 Claim, 8 Drawing Sheets



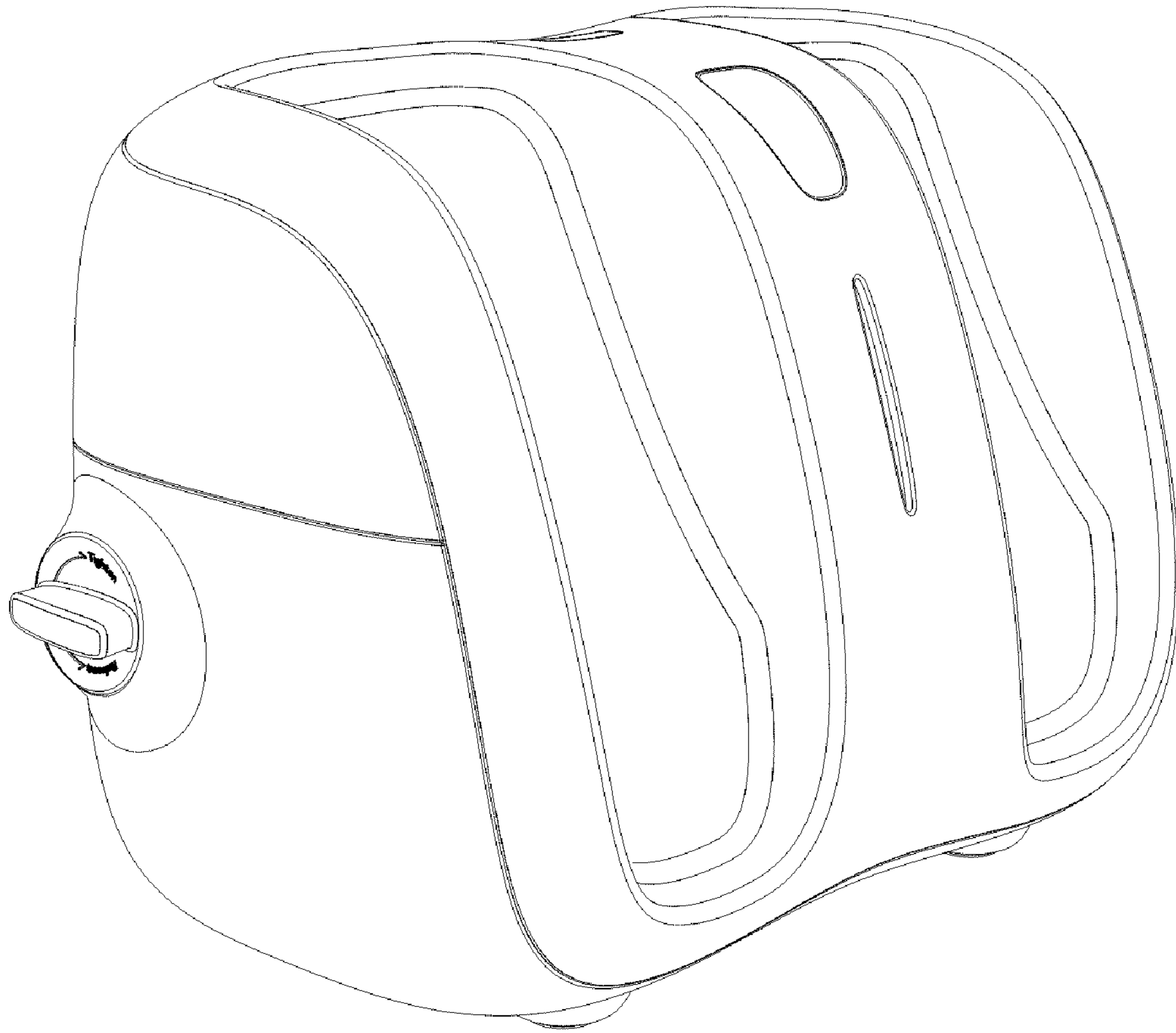


FIG. 1

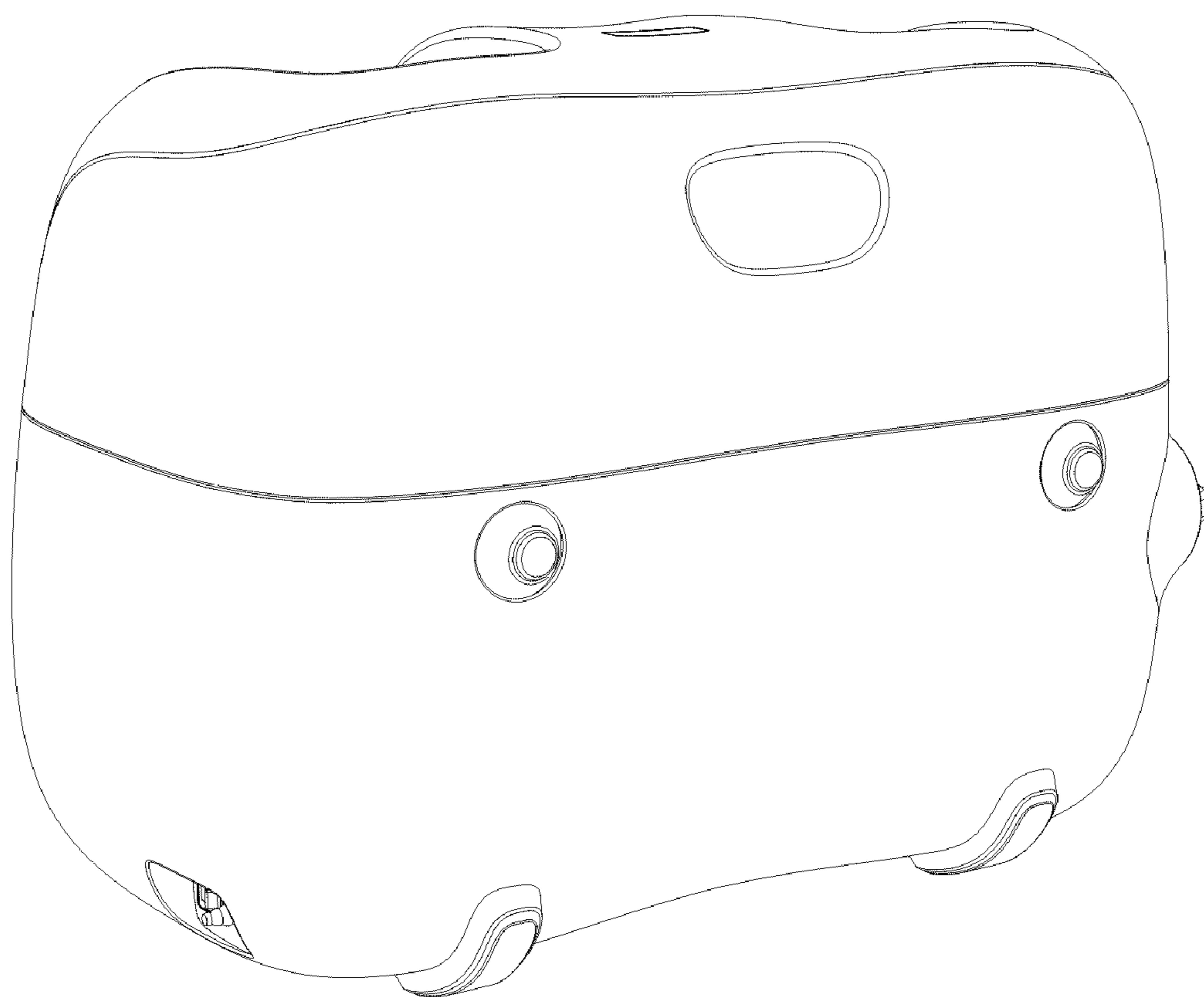


FIG. 2

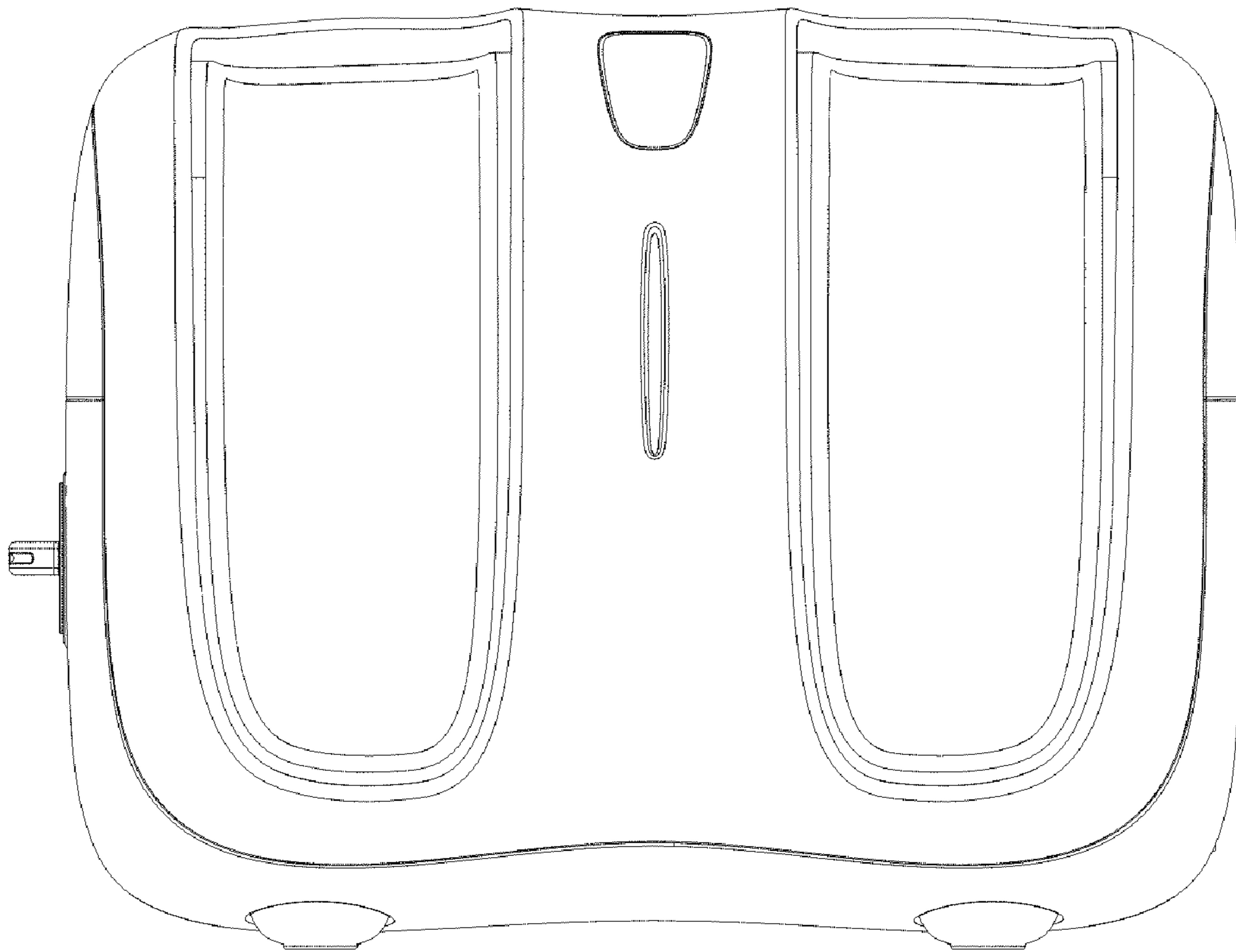


FIG. 3

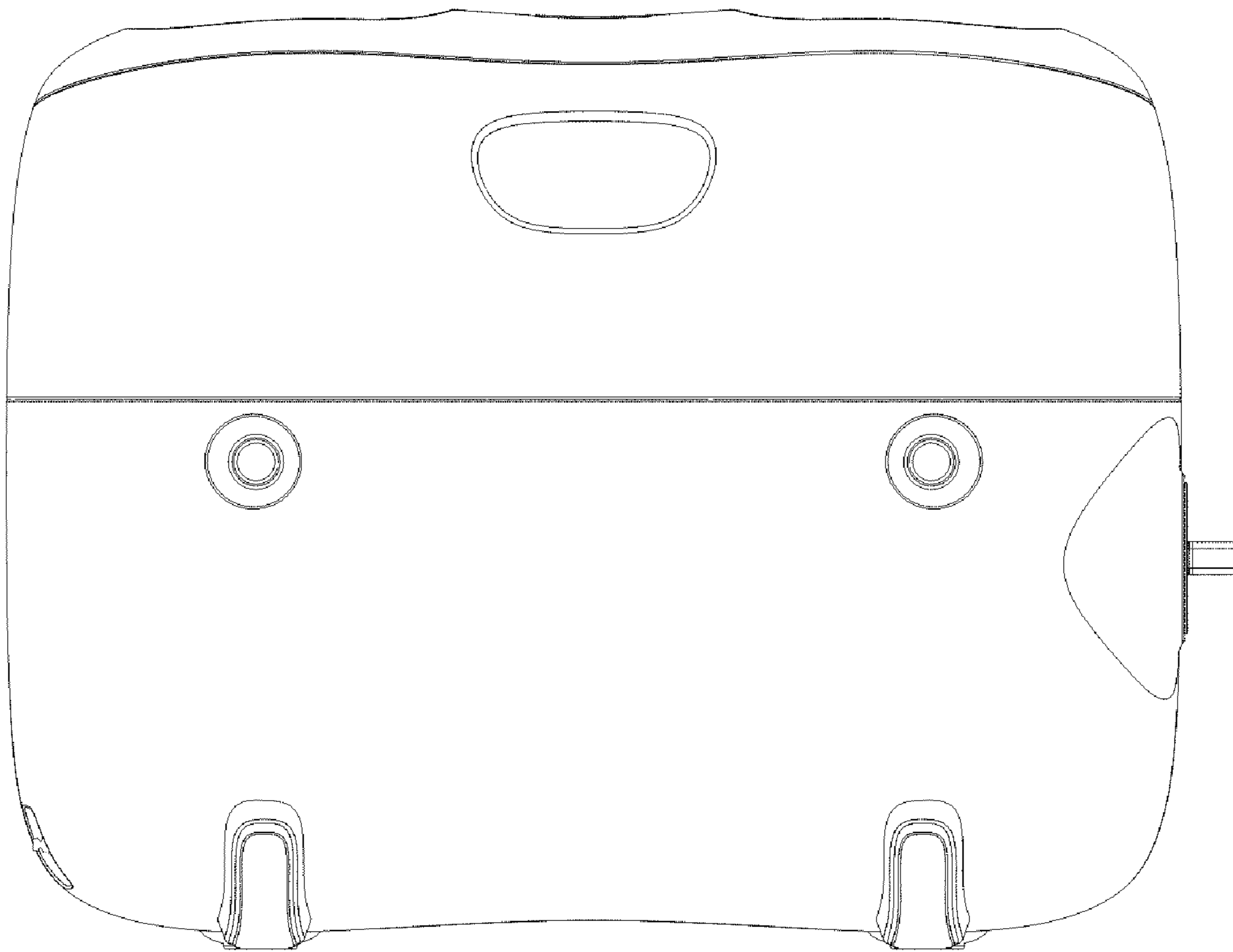


FIG. 4

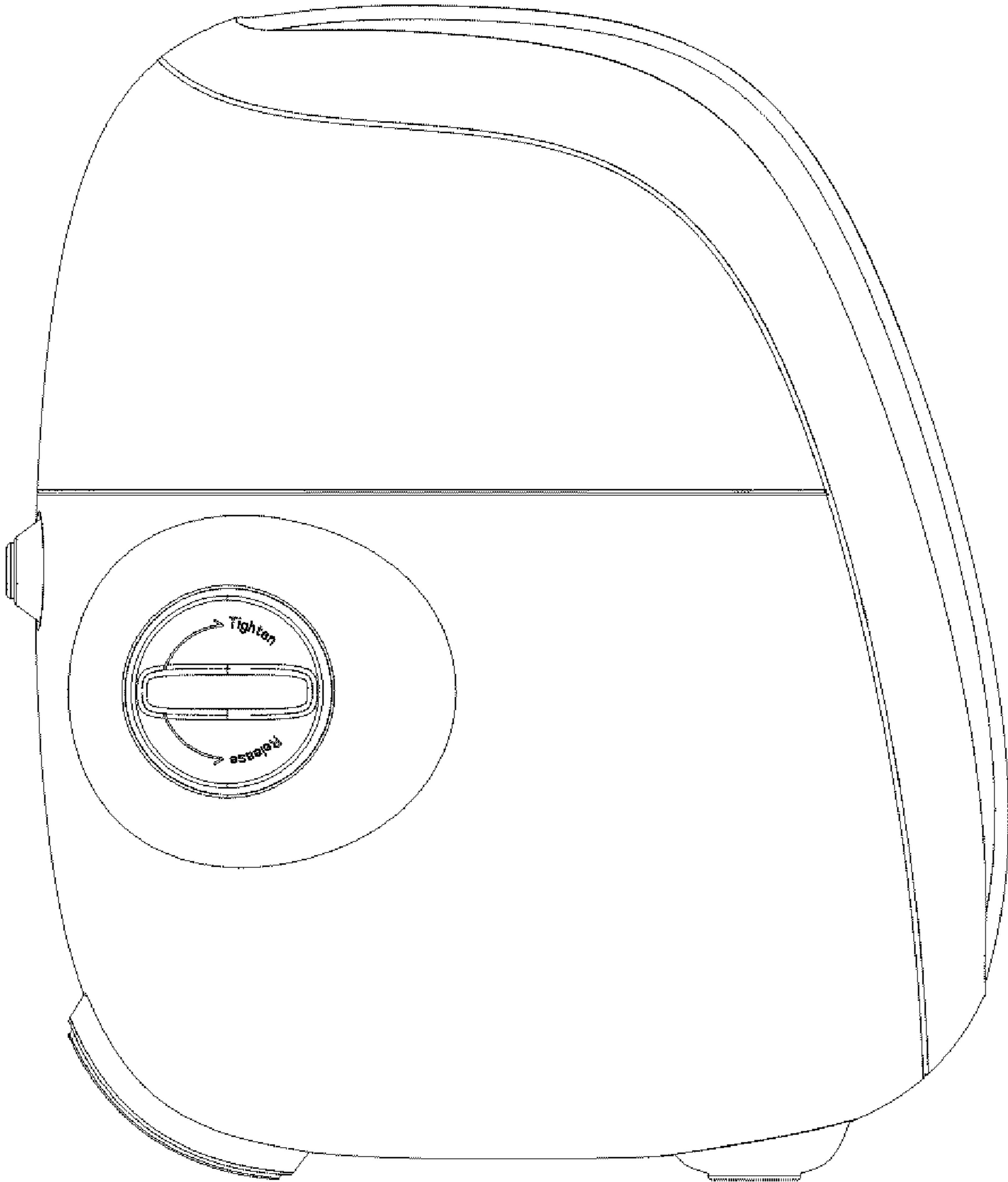


FIG. 5

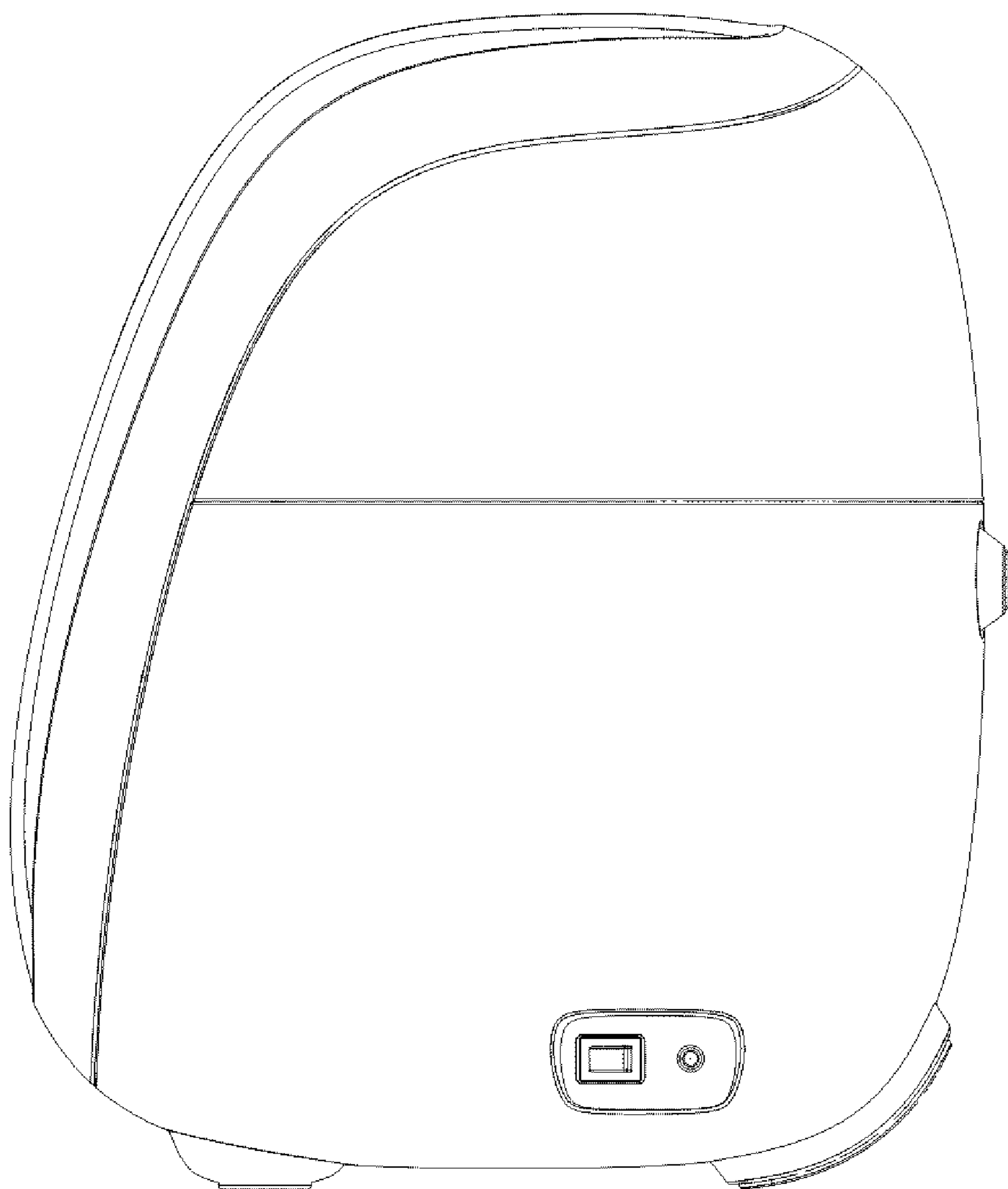


FIG. 6

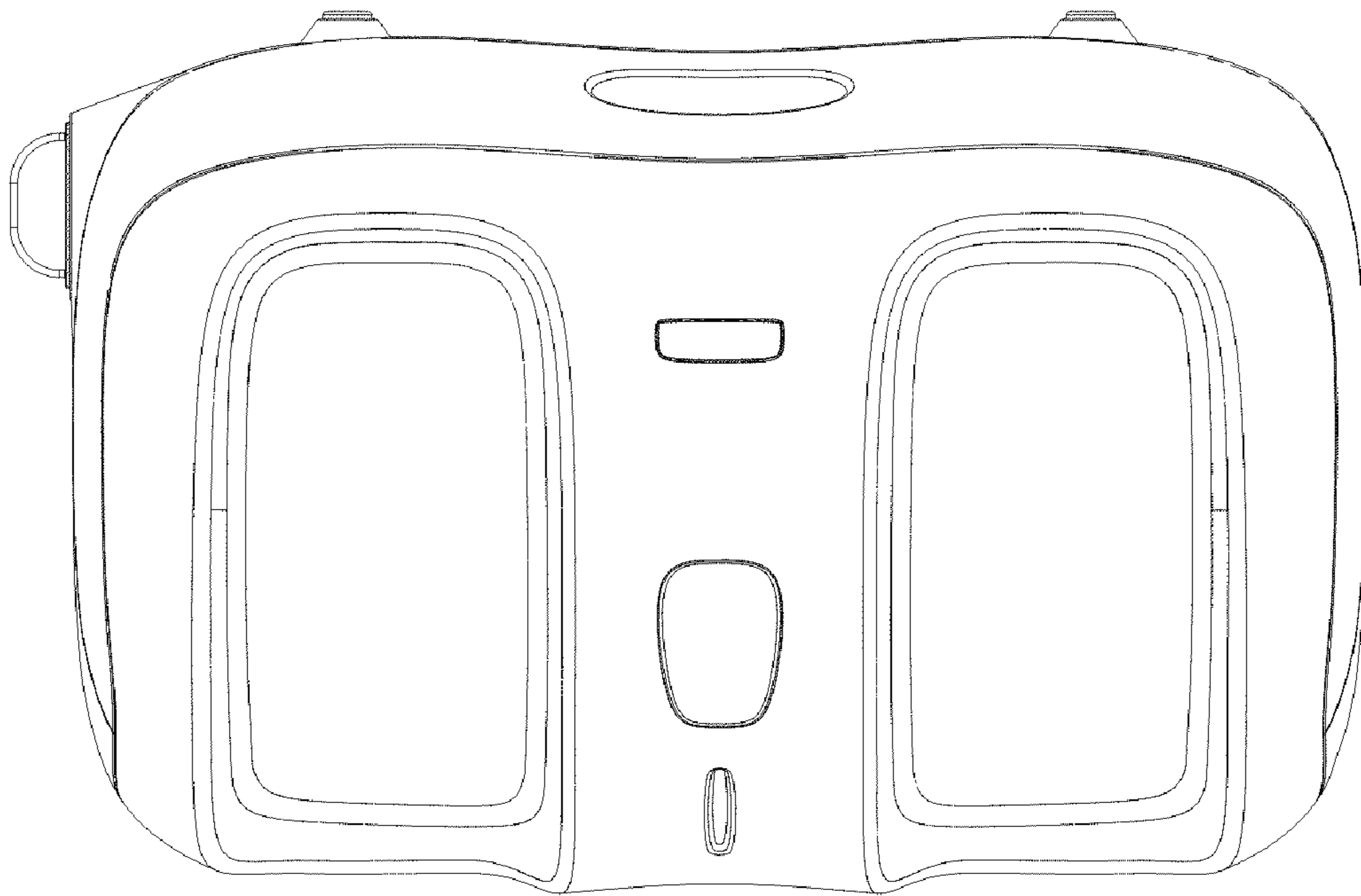


FIG. 7

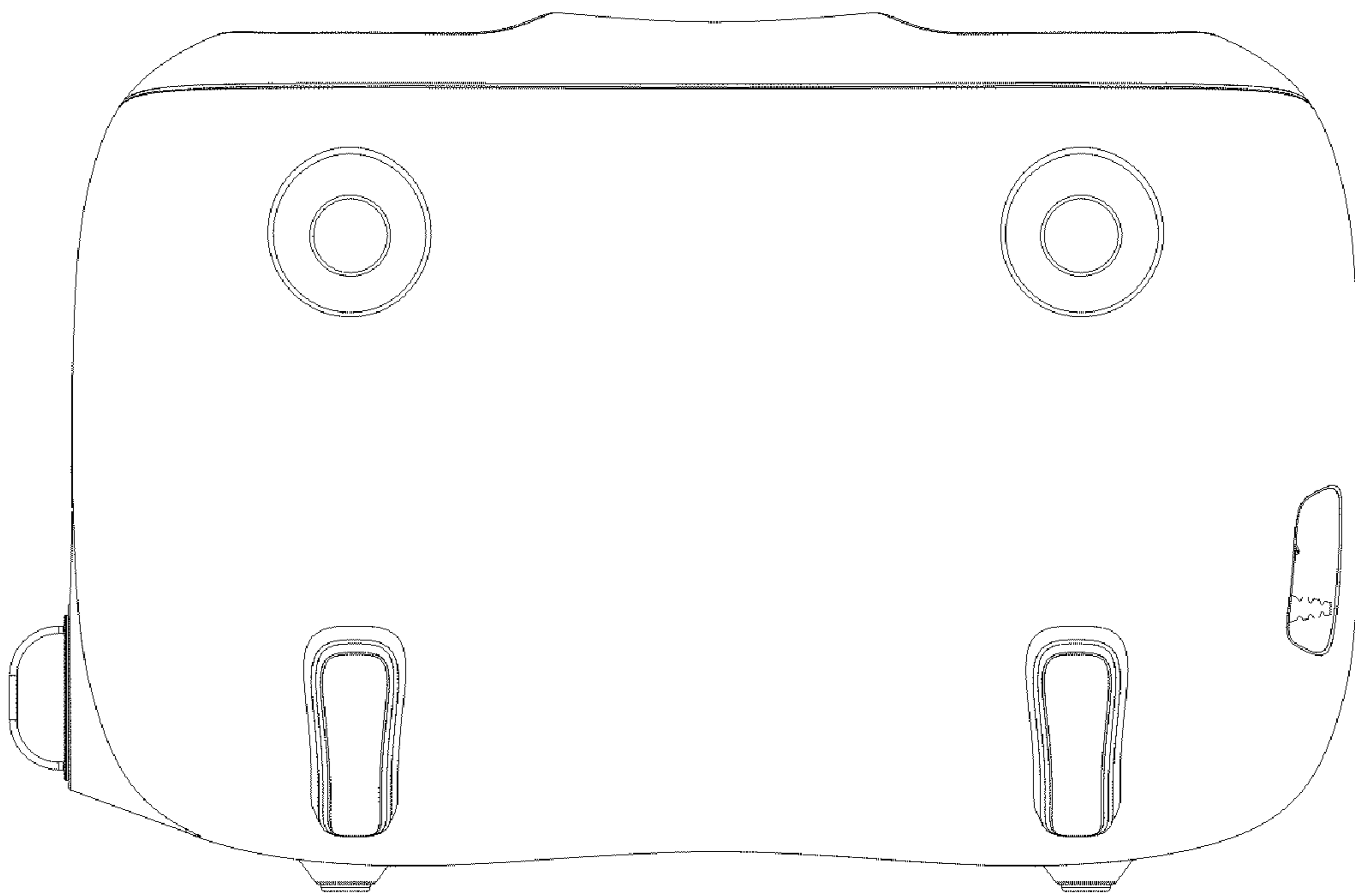


FIG. 8