



US00D648858S

(12) **United States Design Patent**
Hayton et al.

(10) **Patent No.:** **US D648,858 S**

(45) **Date of Patent:** **** Nov. 15, 2011**

(54) **ANTI-WRINKLE DEVICE**

(76) Inventors: **Paul Hayton**, Bristol (GB); **Christopher Althorpe**, Cardiff (GB)

(**) Term: **14 Years**

(21) Appl. No.: **29/354,634**

(22) Filed: **Jan. 27, 2010**

(30) **Foreign Application Priority Data**

Jul. 27, 2009 (GB) 001155535-0001

(51) **LOC (9) Cl.** **28-03**

(52) **U.S. Cl.** **D24/209**

(58) **Field of Classification Search** D24/210,
D24/209, 200, 158, 224, 191; 362/555, 545,
362/800, 294, 249, 267; D26/29, 37, 39,
D26/41, 104; 606/2-4, 204-204.45, 903;
607/88-95

See application file for complete search history.

(56) **References Cited**

U.S. PATENT DOCUMENTS

1,559,732 A * 11/1925 Arnold 606/204.35
D266,192 S * 9/1982 Feinbloom et al. D26/39
4,892,092 A * 1/1990 Klein 606/204.35

D337,838 S * 7/1993 Van Der Bel D26/39
D383,229 S * 9/1997 Kiichiro D26/39
D406,371 S * 3/1999 Van Der Bel D26/39
5,913,883 A * 6/1999 Alexander et al. 607/88
D441,111 S * 4/2001 Van Der Bel D26/39
D441,886 S * 5/2001 Beck D26/39
D489,838 S * 5/2004 Opolka D26/39
6,918,394 B2 * 7/2005 Matsuda et al. 606/204.25
D550,849 S * 9/2007 Baker D24/191
D617,907 S * 6/2010 Waller D24/191

* cited by examiner

Primary Examiner — David Muller

(74) *Attorney, Agent, or Firm* — Steven J. Hultquist; David Bradin; Hultquist IP

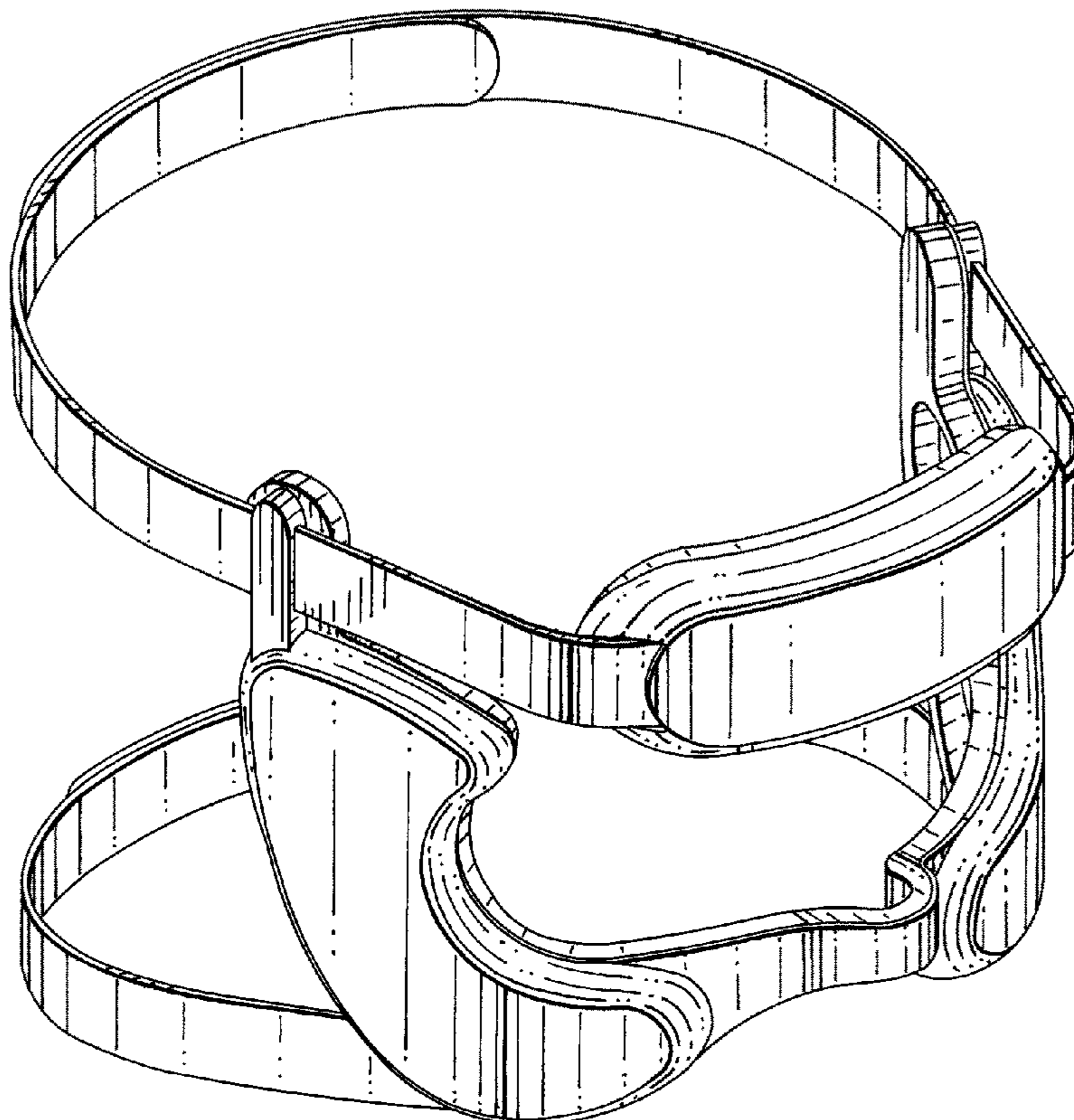
(57) **CLAIM**

The ornamental design for an anti-wrinkle device, as shown and described.

DESCRIPTION

FIG. 1 is a front view of an anti-wrinkle device,
FIG. 2 is a rear view thereof;
FIG. 3 is a side view thereof;
FIG. 4 is a bottom plan view thereof.
FIG. 5 is a top plan view thereof; and,
FIG. 6 is a perspective view thereof.

1 Claim, 6 Drawing Sheets



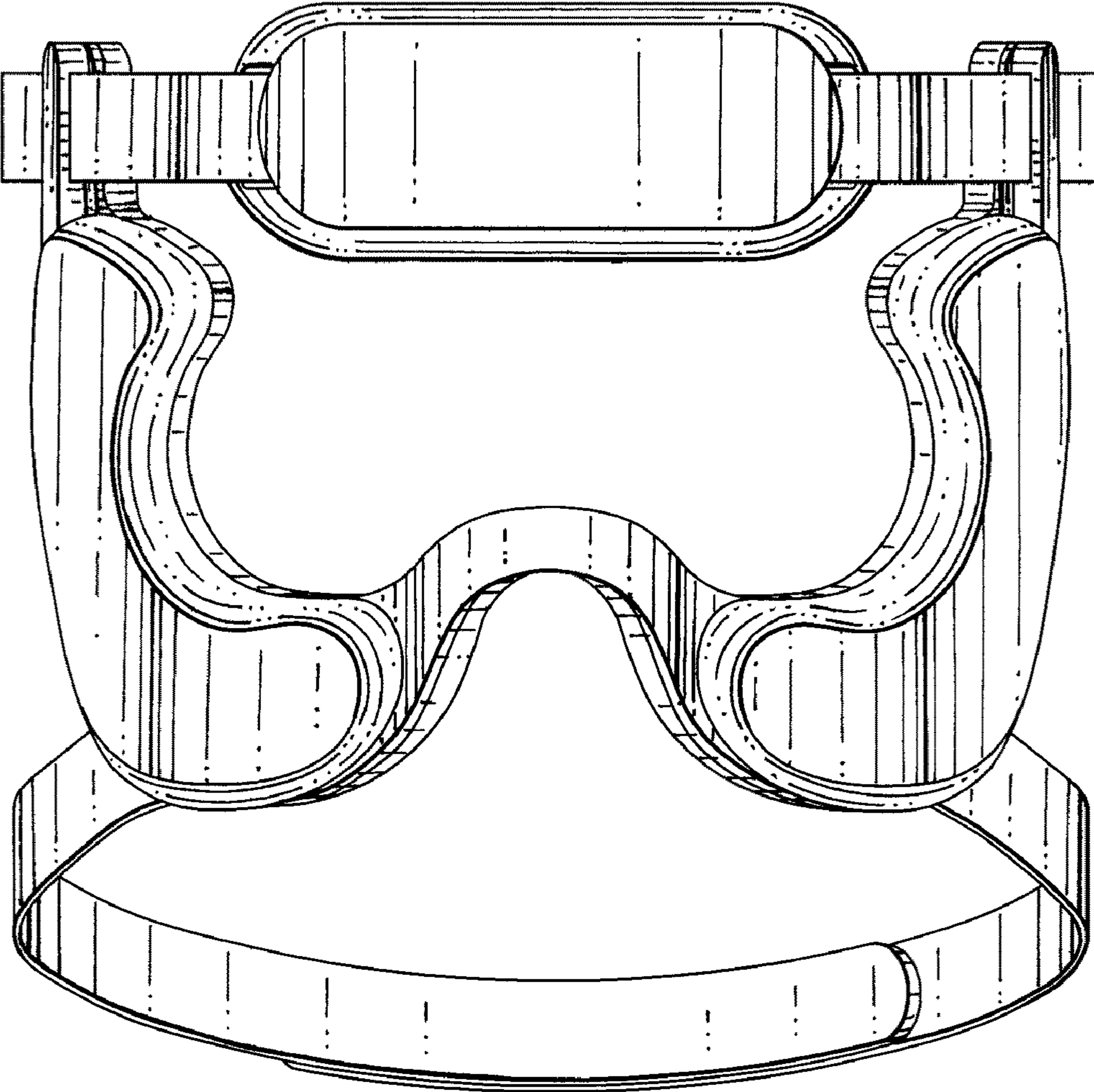


FIG. 1

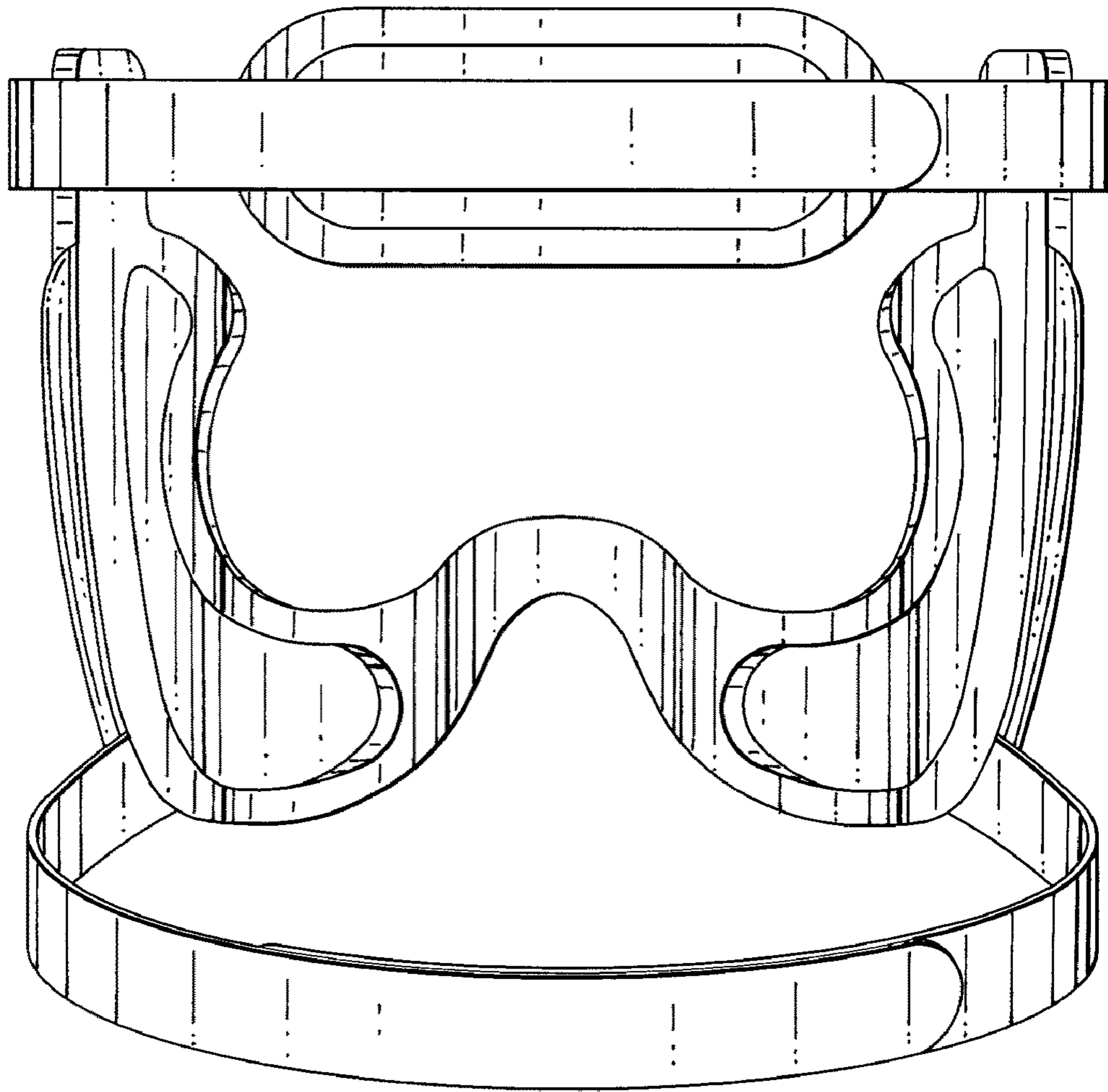


FIG.2

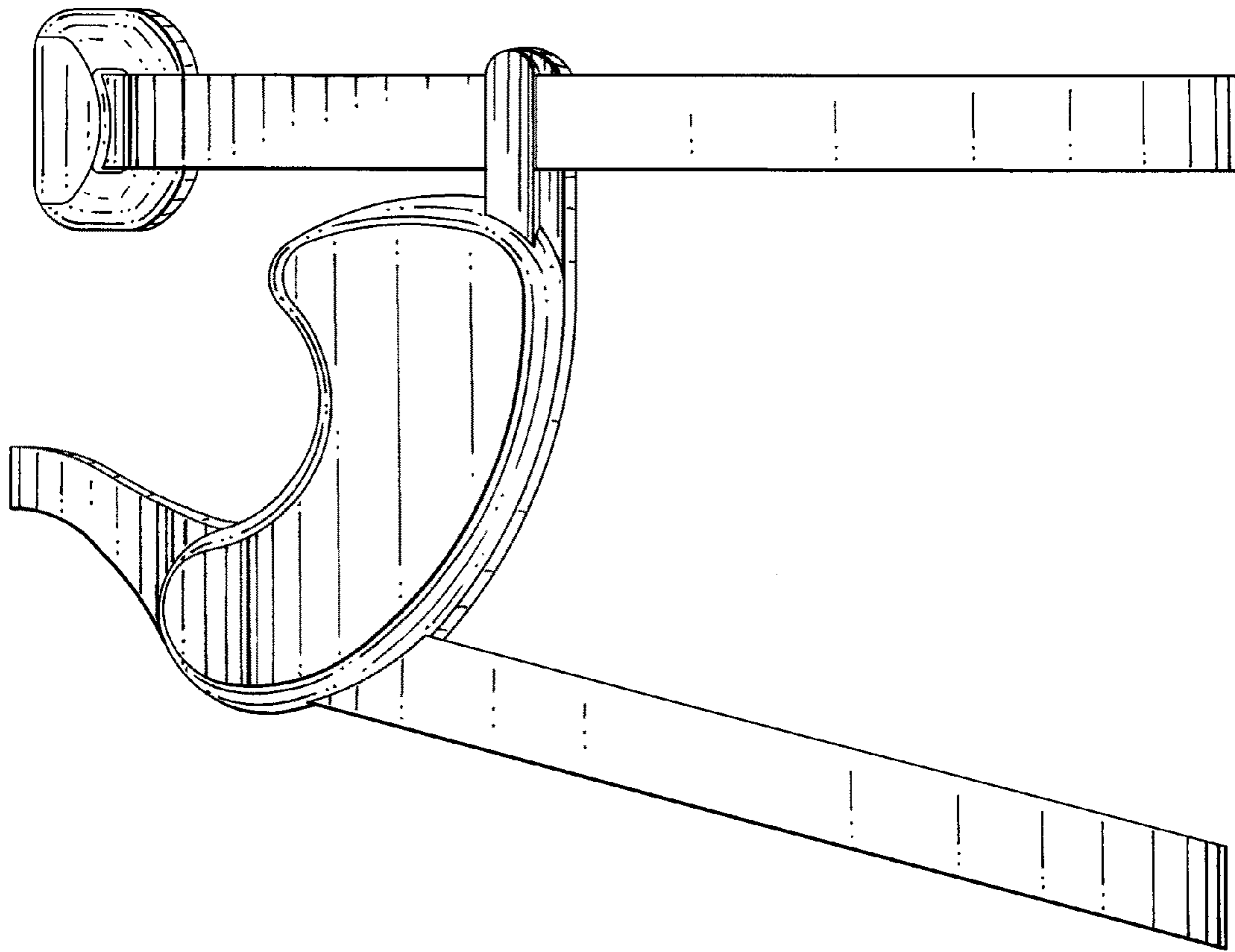


FIG.3

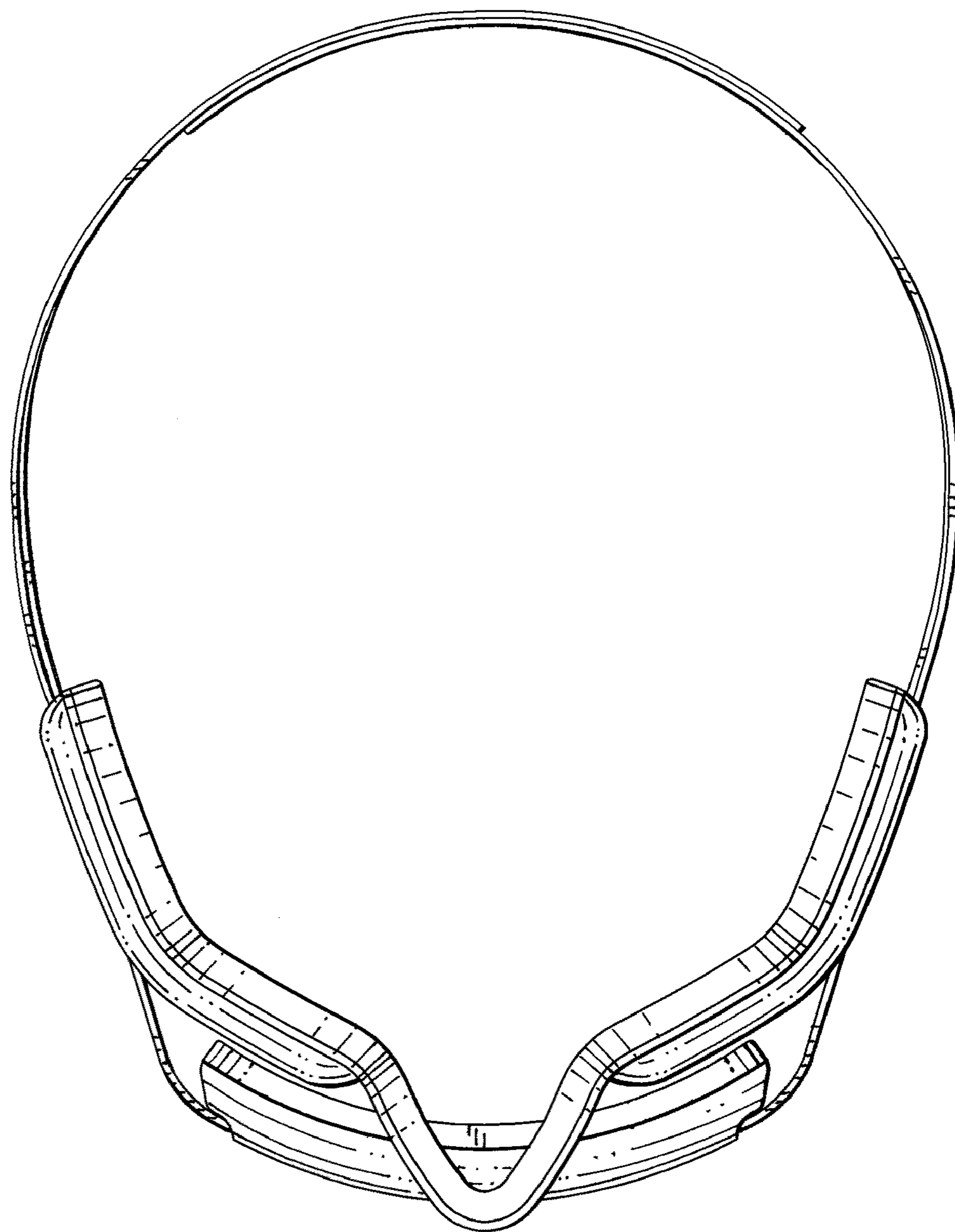


FIG. 4

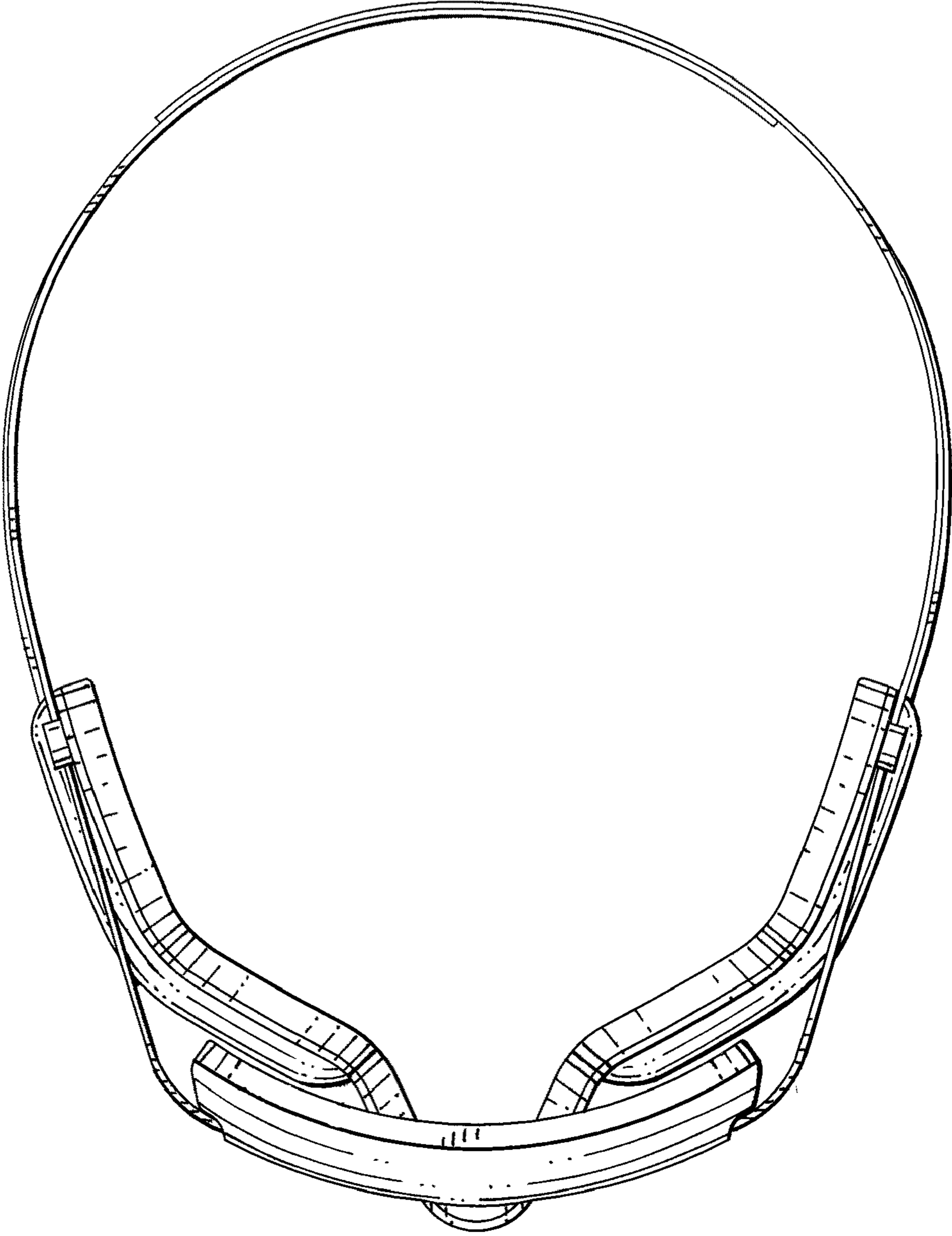


FIG.5

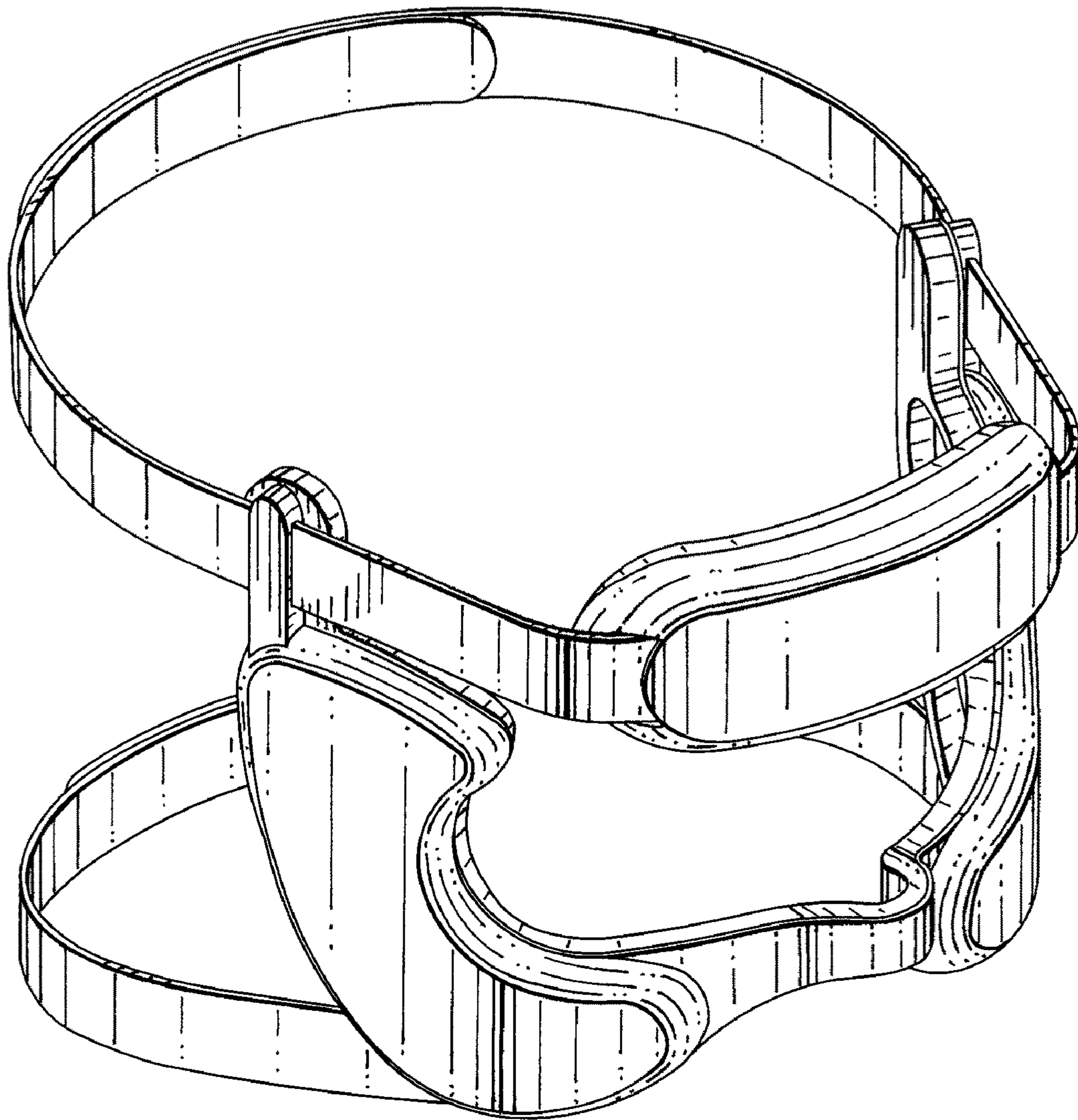


FIG. 6