



US00D648855S

(12) **United States Design Patent**
Smith et al.

(10) **Patent No.:** **US D648,855 S**

(45) **Date of Patent:** **** Nov. 15, 2011**

(54) **IMAGING SYSTEM**

(75) Inventors: **Johannes Anders Smith**, Hellerup
(DK); **Ole Christian Jensen**, Værløse
(DK)

(73) Assignee: **B-K Medical APS**, Herlev (DK)

(**) Term: **14 Years**

(21) Appl. No.: **29/366,538**

(22) Filed: **Jul. 27, 2010**

Related U.S. Application Data

(62) Division of application No. 29/335,928, filed on Apr. 24, 2009, now Pat. No. Des. 626,235.

(51) **LOC (9) Cl.** **24-01**

(52) **U.S. Cl.** **D24/158**

(58) **Field of Classification Search** D24/158-161,
D24/186, 183-185; 378/4, 15, 17, 20, 21,
378/23-27, 146; 600/437, 440, 443; 128/915,
128/916

See application file for complete search history.

(56) **References Cited**

U.S. PATENT DOCUMENTS

D368,521	S	*	4/1996	Asai et al.	D24/160
D544,962	S	*	6/2007	Diener et al.	D24/186
D559,390	S	*	1/2008	Diener et al.	D24/186
D561,342	S	*	2/2008	Zimmer	D24/185
D606,202	S	*	12/2009	Banryu	D24/185

* cited by examiner

Primary Examiner — Anhdao Doan

(74) *Attorney, Agent, or Firm* — Anthony M. Del Zoppo, III;
Driggs, Hogg, Daugherty & Del Zoppo Co, LPA

(57) **CLAIM**

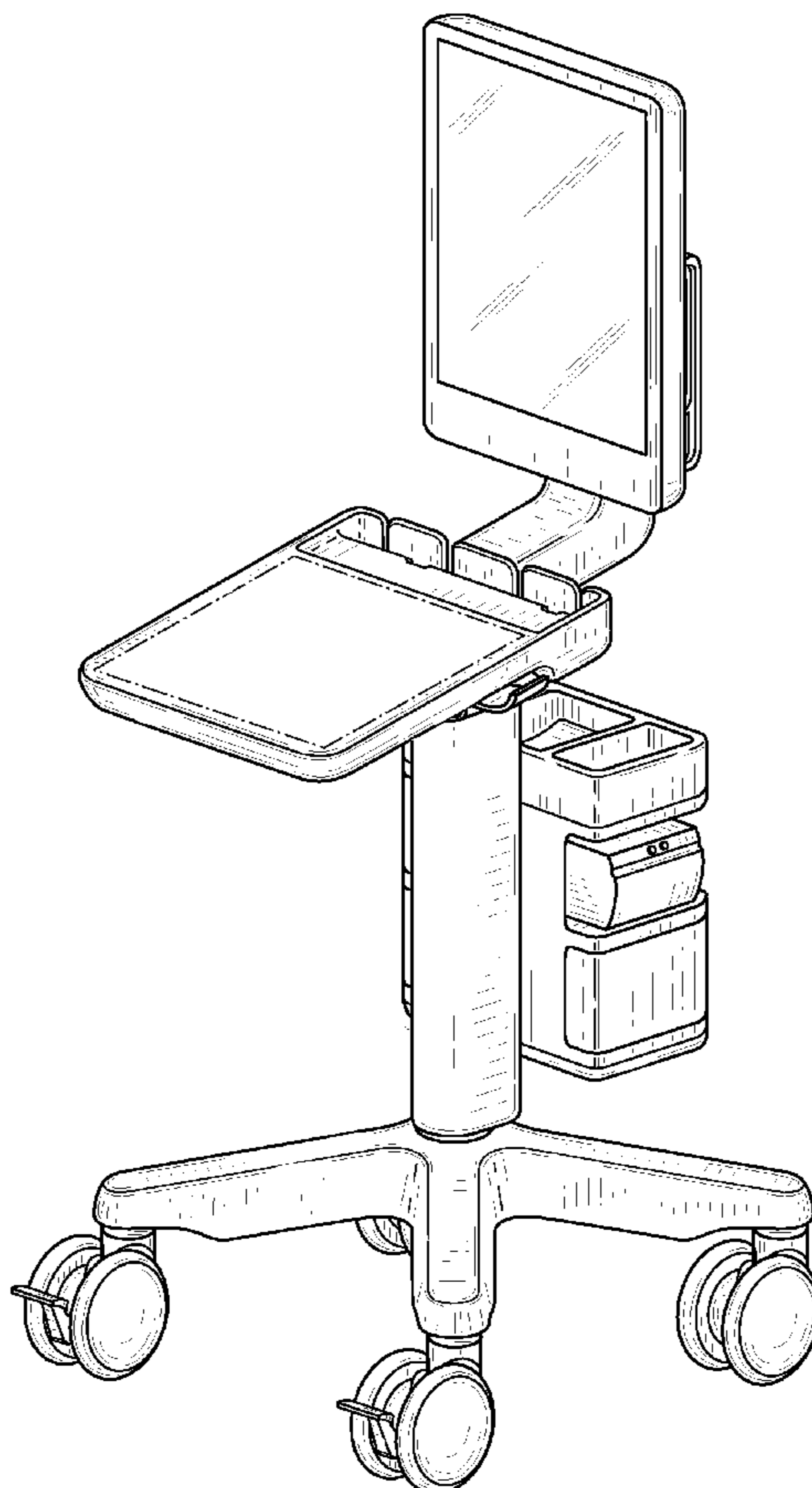
We claim the ornamental design for an imaging system, as shown and described.

DESCRIPTION

FIG. 1 is a left front perspective of an imaging system showing our new design;
FIG. 2 is a right front perspective view thereof;
FIG. 3 is a front view thereof;
FIG. 4 is a rear view thereof;
FIG. 5 is a right side view thereof;
FIG. 6 is a left side view thereof; and,
FIG. 7 is a top view thereof.

The broken lines in the drawing views are included for the purpose of illustrating portions of the imaging system that form no part of the claimed design.

1 Claim, 7 Drawing Sheets



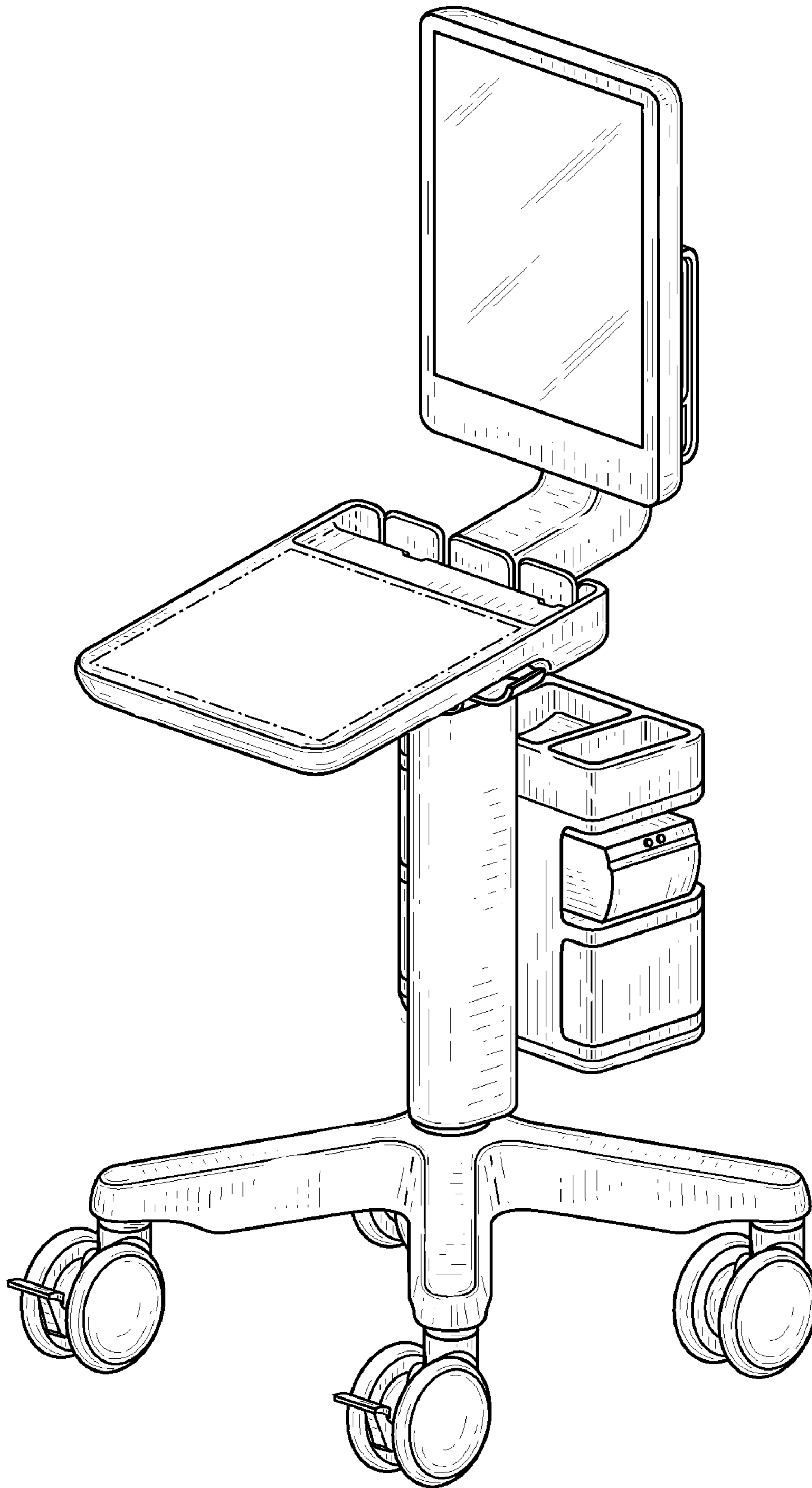


FIG. 1

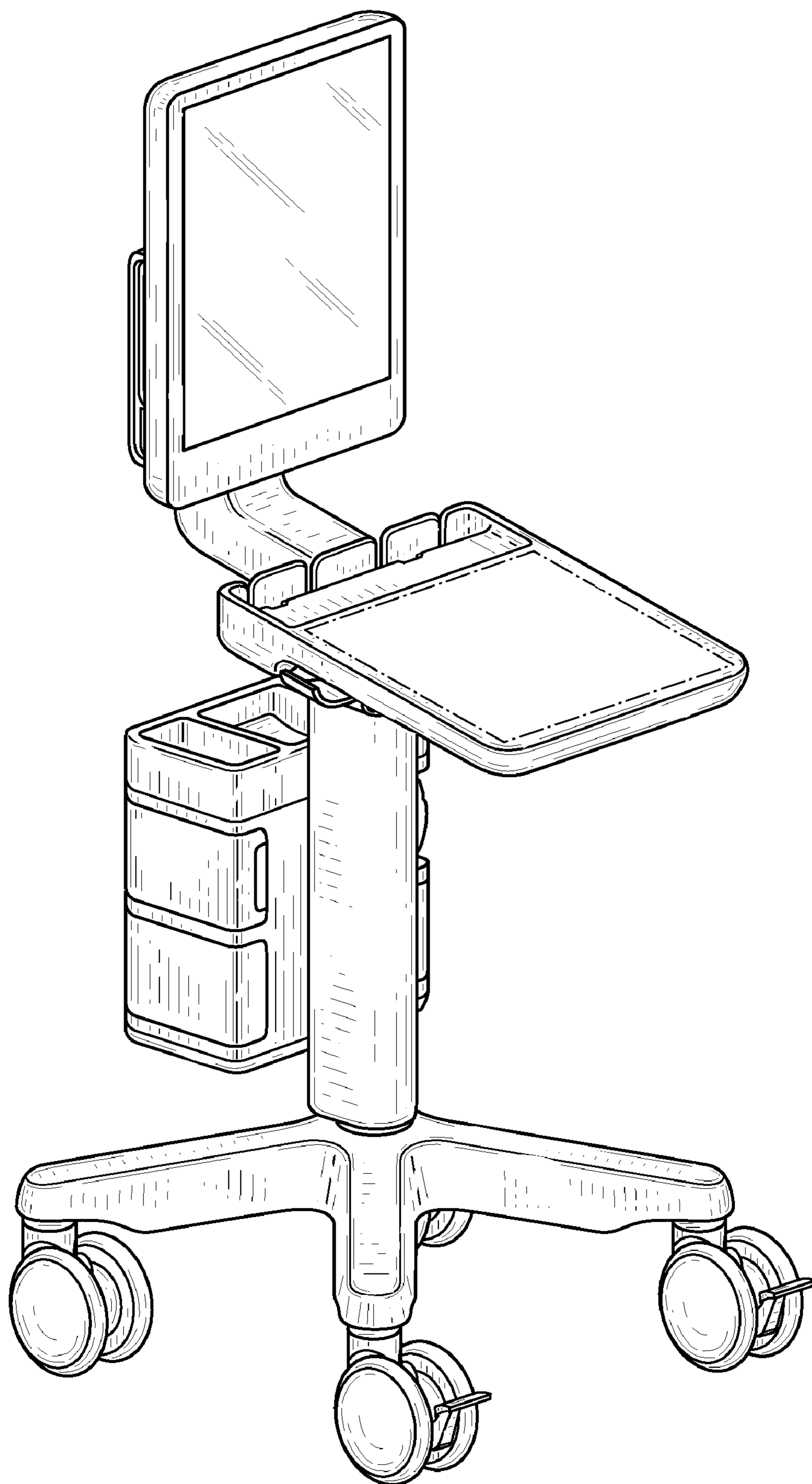


FIG. 2

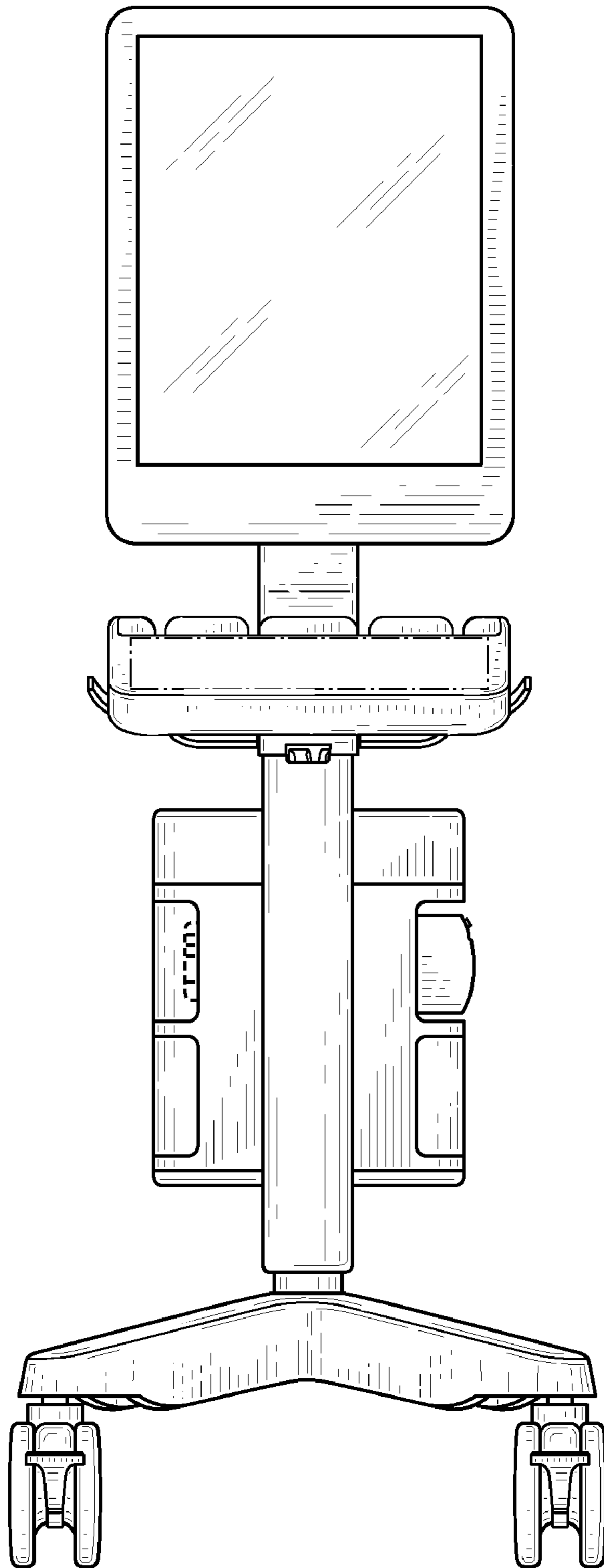


FIG. 3

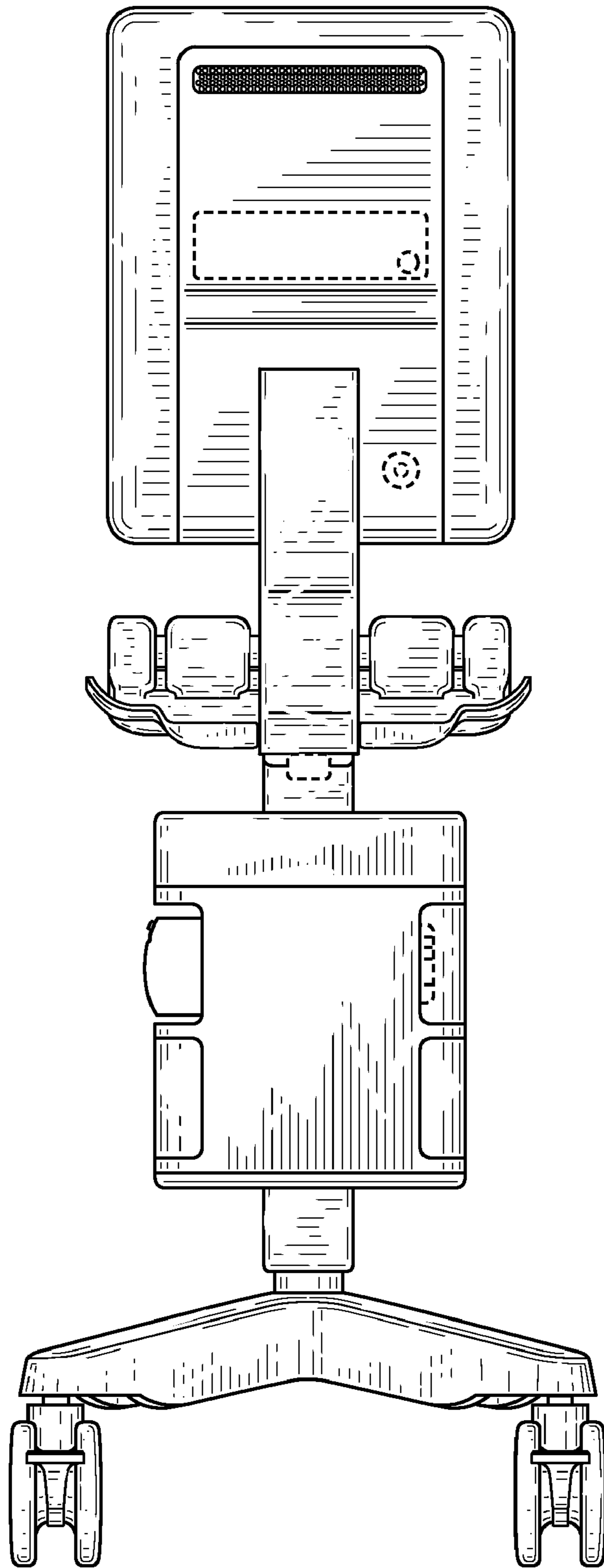


FIG. 4

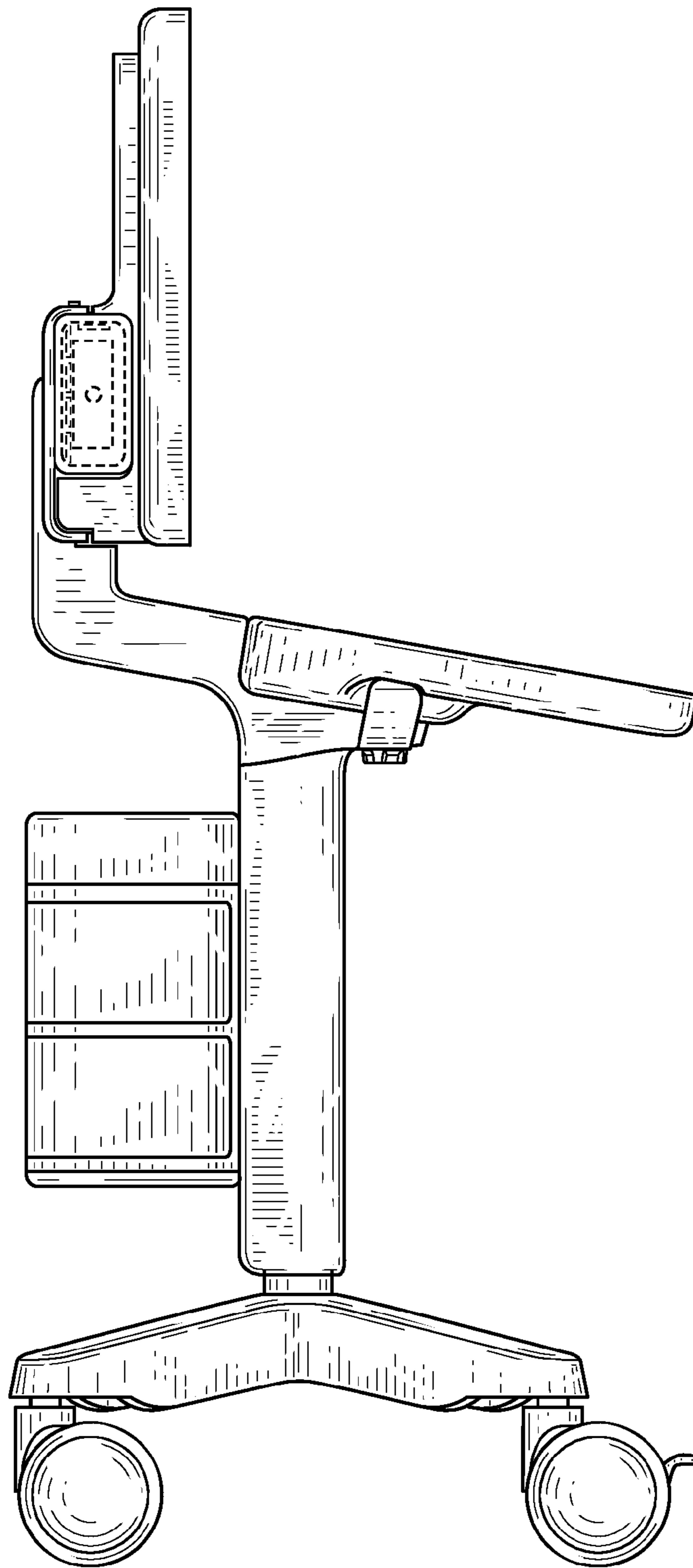


FIG. 5

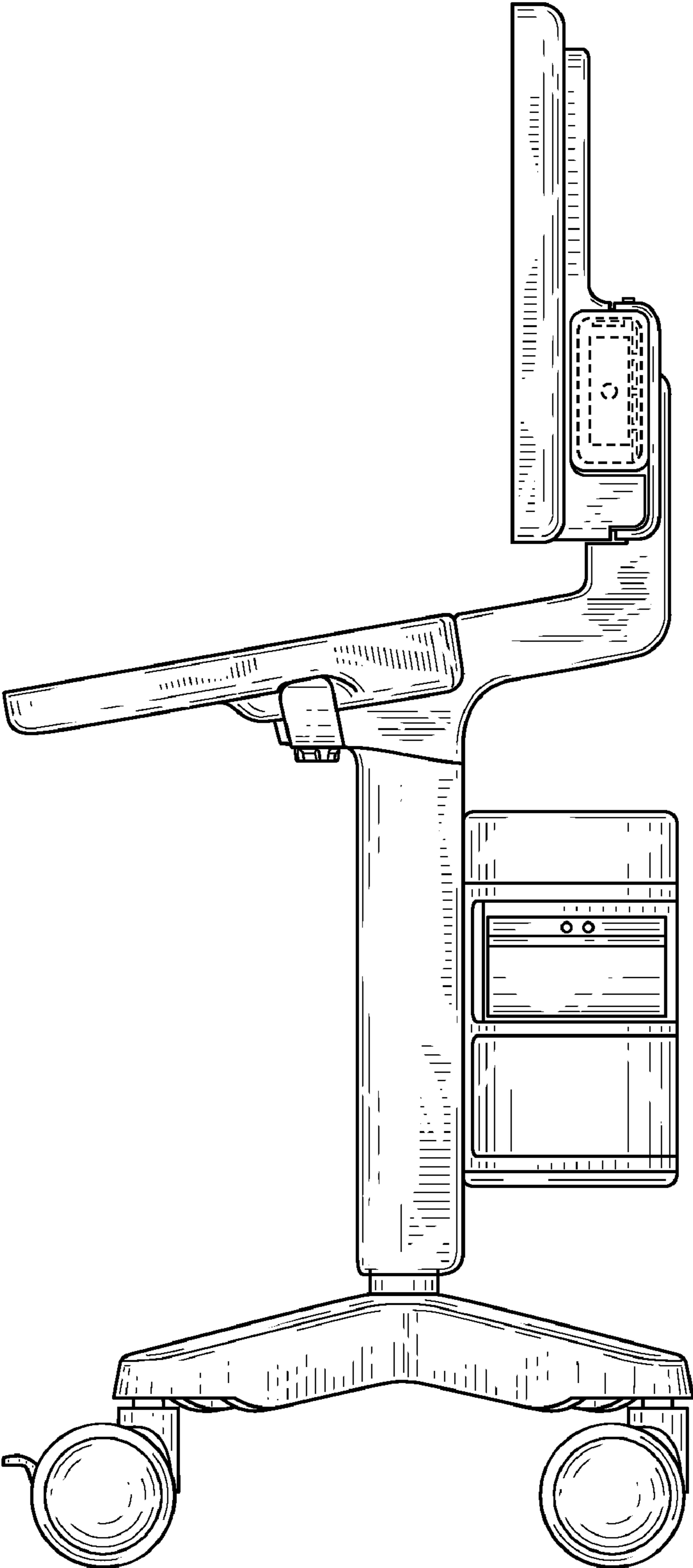


FIG. 6

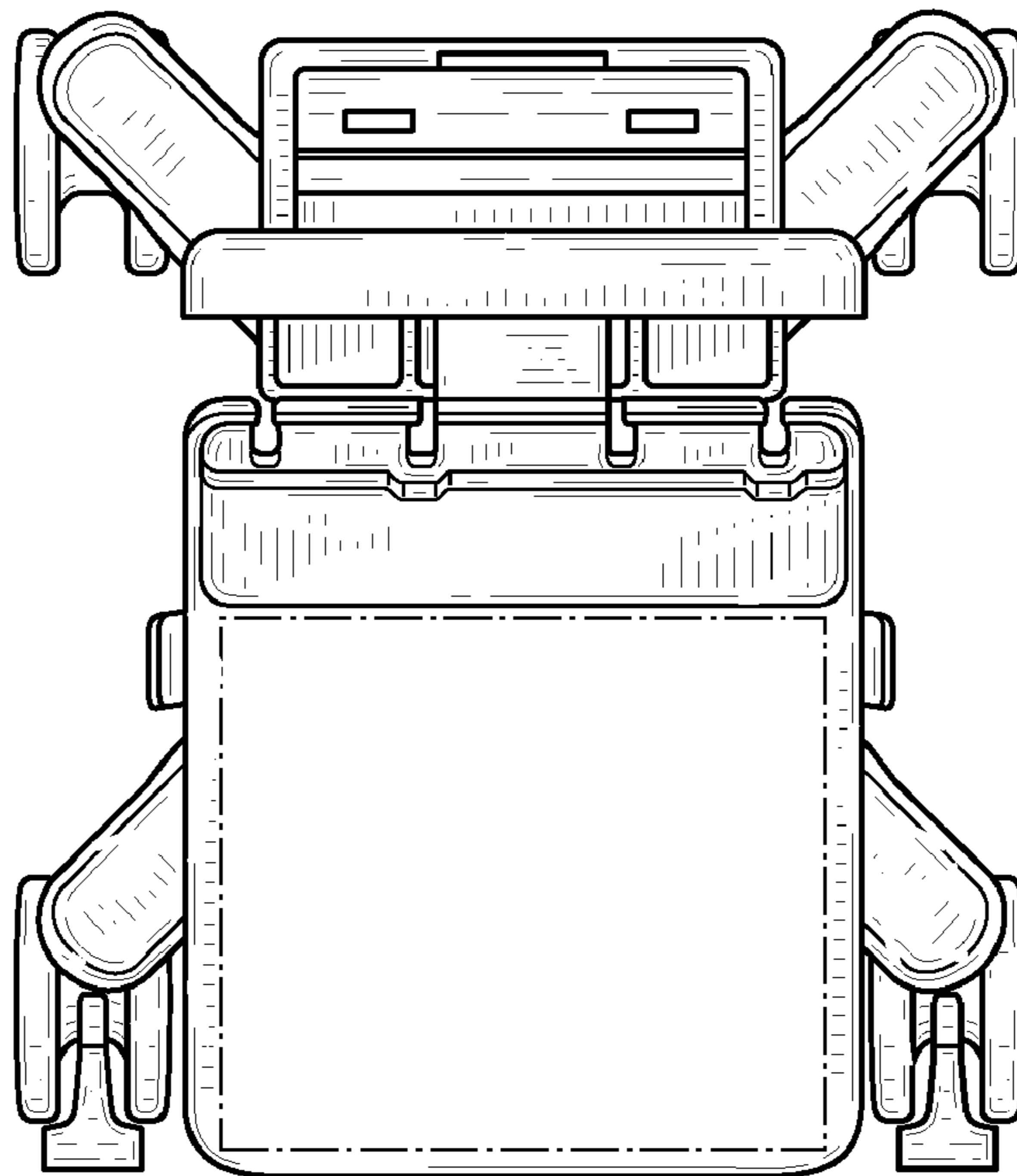


FIG. 7