



US00D648852S

(12) **United States Design Patent**
Shi

(10) **Patent No.:** **US D648,852 S**

(45) **Date of Patent:** **** Nov. 15, 2011**

(54) **HEEL INCISION SAFETY LANCET**

(75) Inventor: **Guoping Shi**, Suzhou (CN)

(73) Assignee: **Sterilance Medical (Suzhou) Inc.**,
Suzhou (CN)

(**) Term: **14 Years**

(21) Appl. No.: **29/391,993**

(22) Filed: **May 16, 2011**

(30) **Foreign Application Priority Data**

Nov. 16, 2010 (CN) 2010 3 0615823

(51) **LOC (9) Cl.** **24-02**

(52) **U.S. Cl.** **D24/146**

(58) **Field of Classification Search** D24/130,
D24/133, 143-149, 112, 150; 606/166, 161;
D8/83, 99, 91, 107; 30/151, 162, 329, 333,
30/335, 295, 282, 286, 337

See application file for complete search history.

(56) **References Cited**

U.S. PATENT DOCUMENTS

5,395,388 A * 3/1995 Schraga 606/182
D376,203 S * 12/1996 Schraga D24/146

D404,482 S * 1/1999 Falk et al. D24/113
D529,361 S * 10/2006 Brookman D8/91
7,399,309 B2 * 7/2008 Pietrabissa et al. 606/205
D581,533 S * 11/2008 Ruf et al. D24/146
D605,290 S * 12/2009 Ruf et al. D24/146
7,837,633 B2 * 11/2010 Conway et al. 600/583
2010/0010529 A1 1/2010 Shi

* cited by examiner

Primary Examiner — Ian Simmons

Assistant Examiner — Carissa C Fitts

(74) *Attorney, Agent, or Firm* — Oliff & Berridge, PLC

(57) **CLAIM**

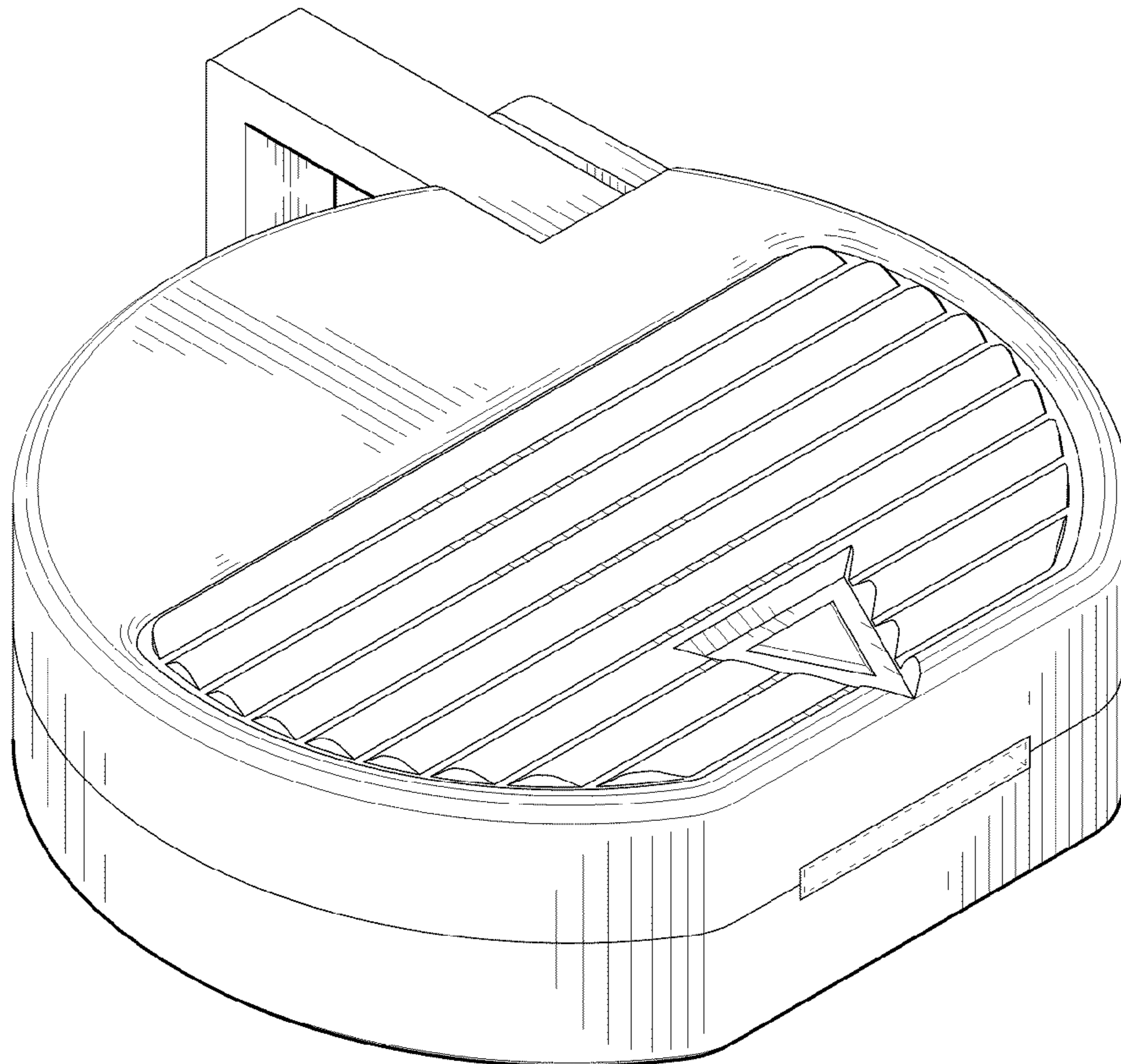
The ornamental design for a heel incision safety lancet, as shown and described.

DESCRIPTION

FIG. 1 is a perspective view of a heel incision safety lancet; FIG. 2 is a front view thereof, the rear view being a mirror image of the front view; FIG. 3 is a top view thereof; FIG. 4 is a right-side view thereof; FIG. 5 is a left-side view thereof; and, FIG. 6 is a bottom view thereof.

The broken lines depict environmental subject matter only and form no part of the claimed design.

1 Claim, 4 Drawing Sheets



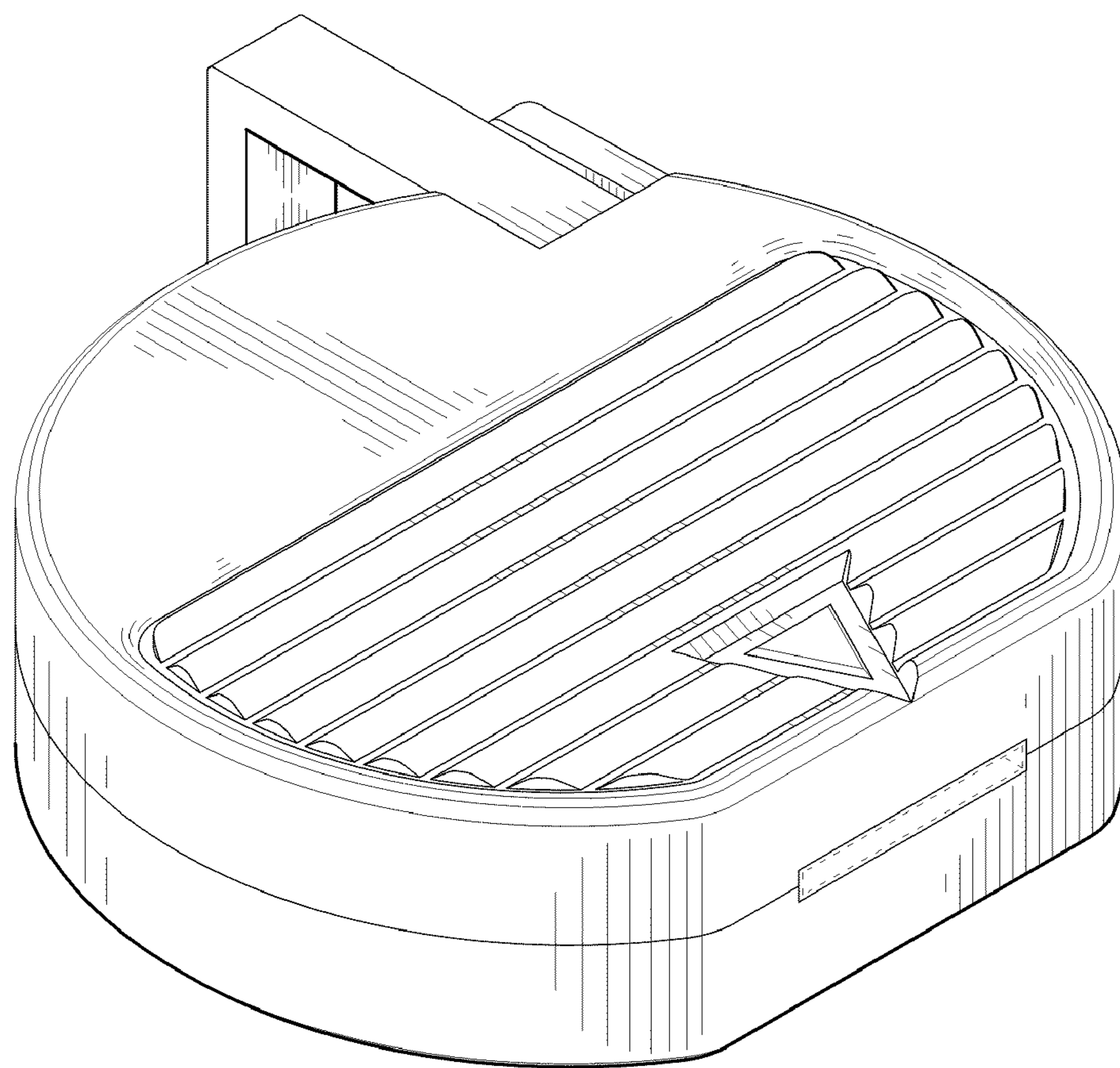


FIG. 1

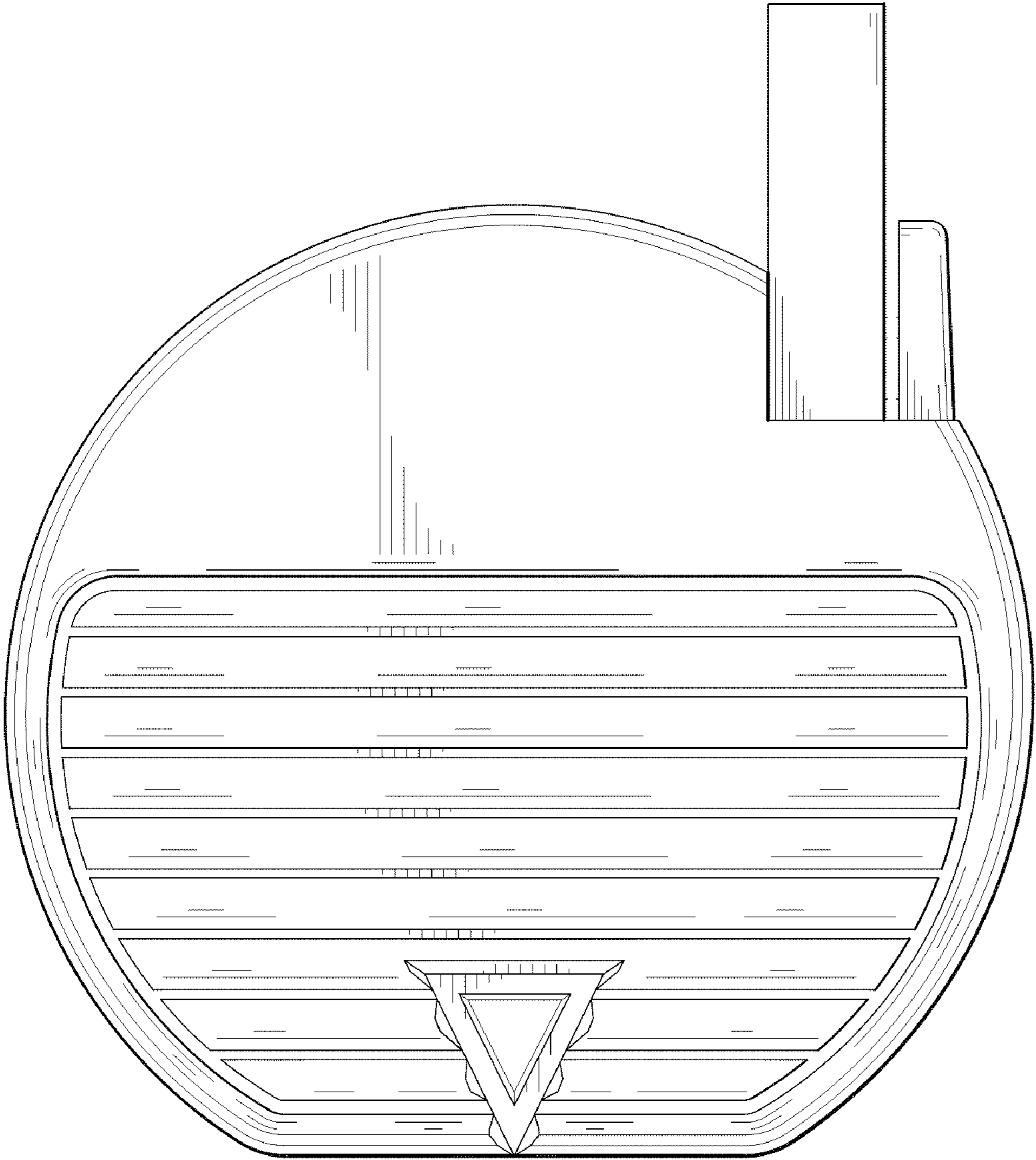


FIG. 2

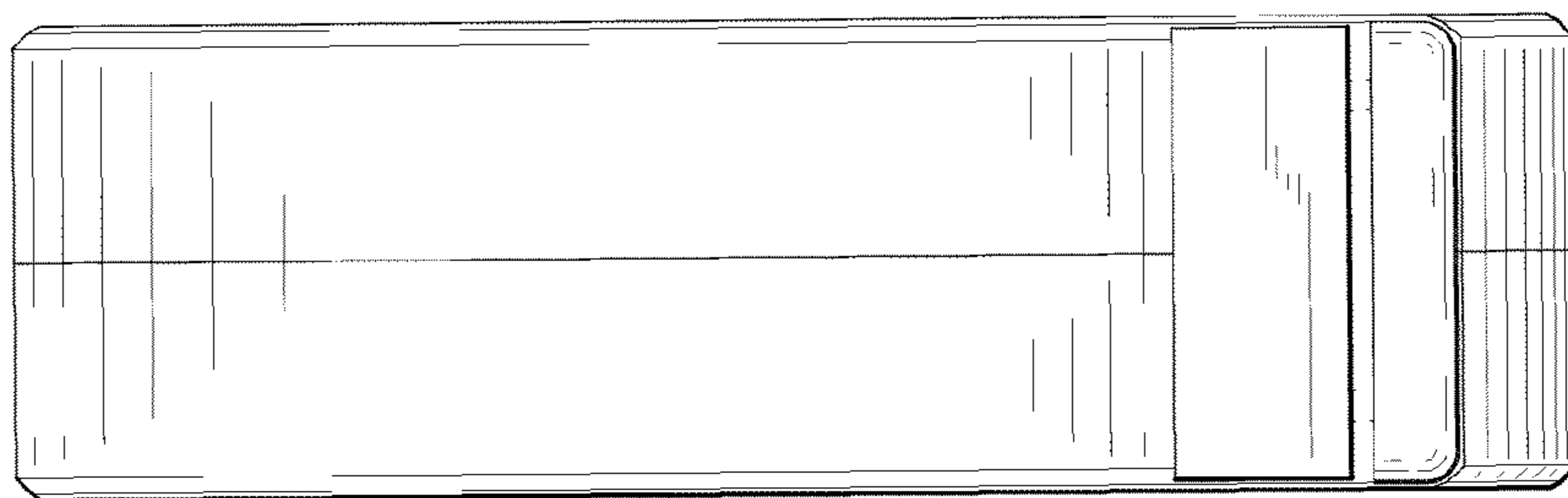


FIG. 3

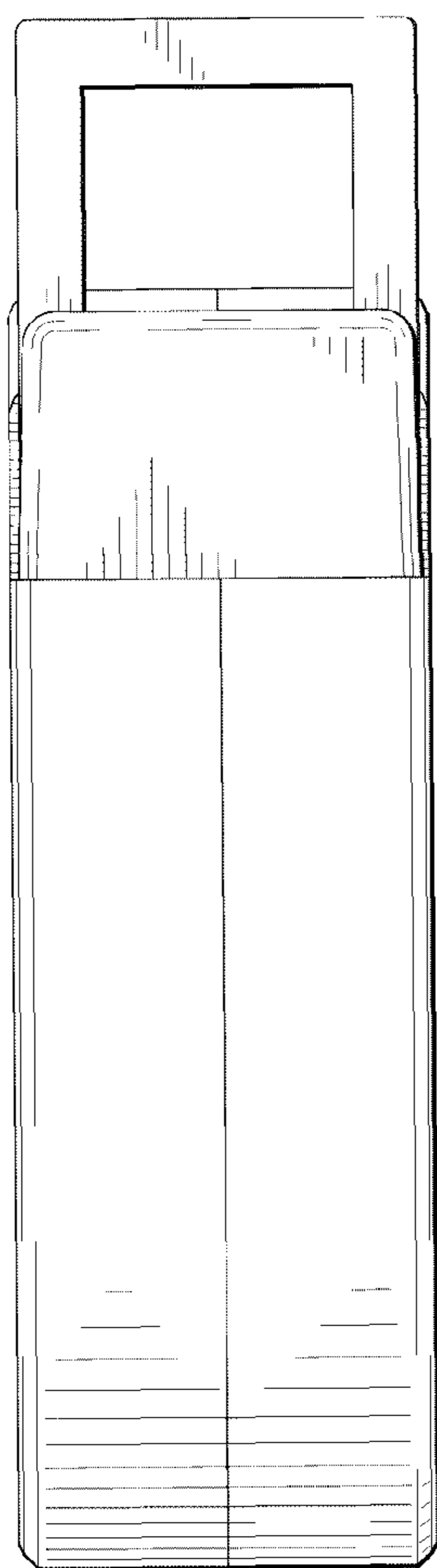


FIG. 4

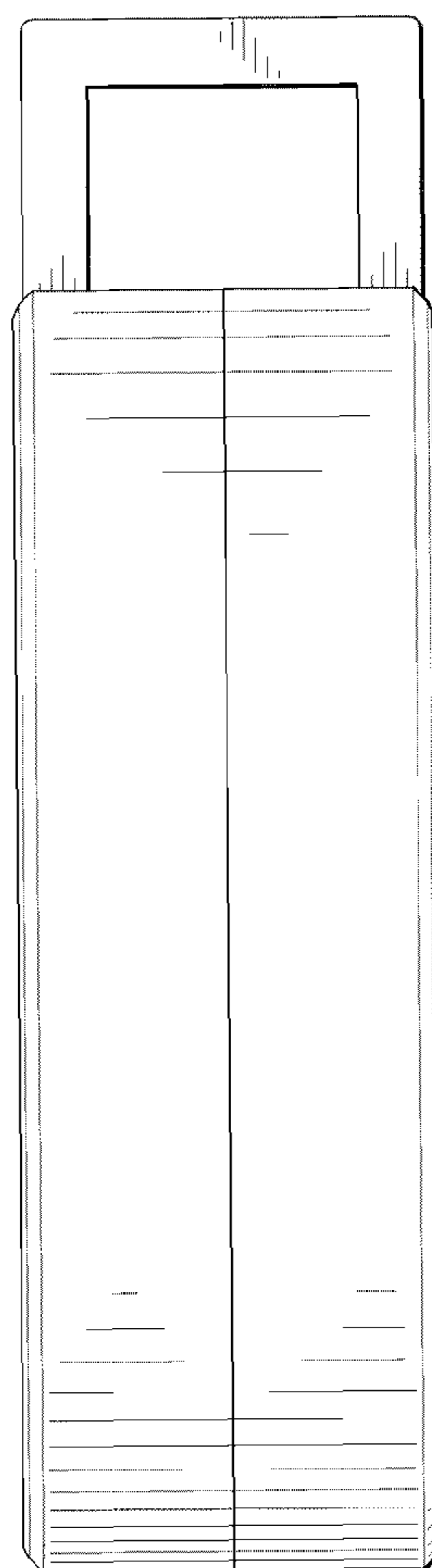


FIG. 5

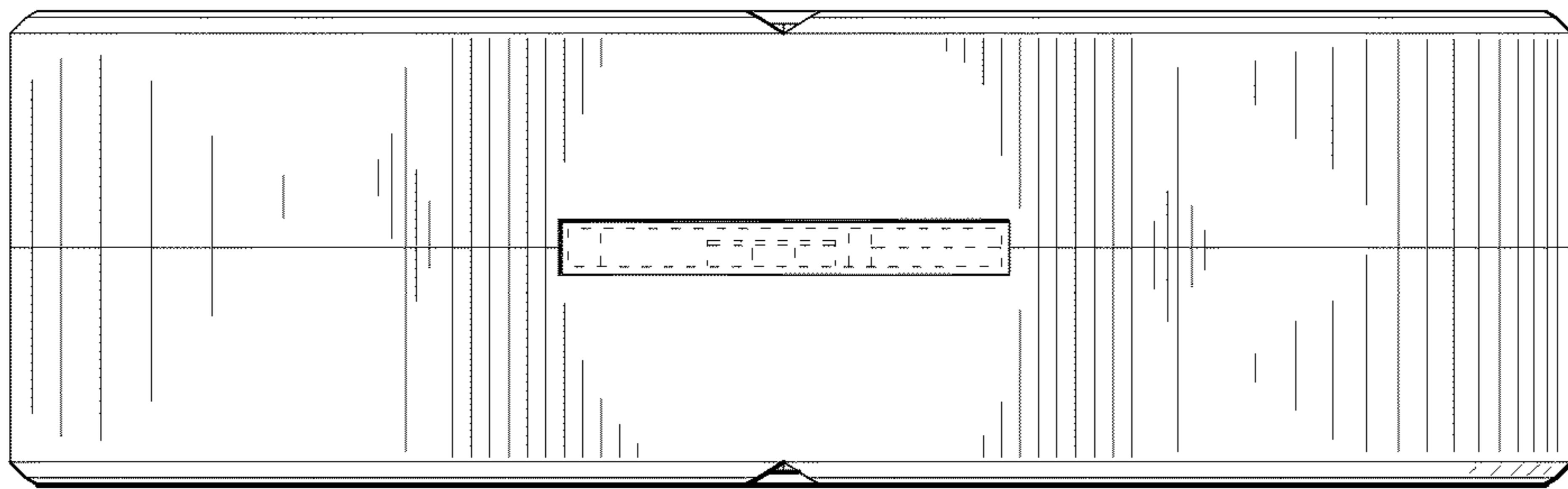


FIG. 6