



US00D648851S

(12) **United States Design Patent**
Copeland et al.

(10) **Patent No.:** **US D648,851 S**

(45) **Date of Patent:** **** Nov. 15, 2011**

(54) **STEERABLE CATHETER HANDLE**

(75) Inventors: **Steve Copeland**, Barrie (CA); **Bartek Zalewski**, Richmond Hill (CA)

(73) Assignee: **Baylis Medical Company Inc.**, Montreal (CA)

(**) Term: **14 Years**

(21) Appl. No.: **29/389,761**

(22) Filed: **Apr. 15, 2011**

(51) **LOC (9) Cl.** **24-02**

(52) **U.S. Cl.** **D24/133; D24/112; D24/130**

(58) **Field of Classification Search** D24/133, D24/140, 112, 113, 114, 130; 604/523, 528
See application file for complete search history.

(56) **References Cited**

U.S. PATENT DOCUMENTS

D254,569	S	*	3/1980	Moffat et al.	D24/167
5,275,151	A	*	1/1994	Shockey et al.	600/108
D345,419	S	*	3/1994	Horrigan et al.	D24/130
D347,473	S	*	5/1994	Nitzsche	D24/112
5,391,172	A	*	2/1995	Williams et al.	623/1.11
D384,743	S	*	10/1997	Chia	D24/133
5,846,221	A	*	12/1998	Snoke et al.	604/500
5,876,373	A	*	3/1999	Giba et al.	604/95.04
D421,303	S	*	2/2000	Cote et al.	D24/133
6,254,620	B1	*	7/2001	Koh et al.	606/167
D454,951	S	*	3/2002	Bon	D24/112
6,458,107	B1	*	10/2002	Ockuly	604/523
6,522,933	B2	*	2/2003	Nguyen	607/116
6,752,800	B1	*	6/2004	Winston et al.	604/528
D547,864	S	*	7/2007	Rau et al.	D24/133
D550,356	S	*	9/2007	Anderson et al.	D24/133
D564,093	S	*	3/2008	Marchand et al.	D24/133
D612,044	S	*	3/2010	Scheibe	D24/130
D615,196	S	*	5/2010	Doll	D24/133
D616,095	S	*	5/2010	Kim et al.	D24/140
D624,238	S	*	9/2010	Turner	D27/101

D627,061	S	*	11/2010	Van der Stappen	D24/113
D633,035	S	*	2/2011	Heine et al.	D13/103
D640,785	S	*	6/2011	Lee	D24/112
D642,330	S	*	7/2011	Turner	D27/101
2009/0105640	A1	*	4/2009	Bednarek et al.	604/95.04

* cited by examiner

Primary Examiner — Bridget L Eland

(74) *Attorney, Agent, or Firm* — Nir Lifshitz

(57) **CLAIM**

The ornamental design for a steerable catheter handle, as shown and described.

DESCRIPTION

FIG. 1 is a top front perspective view of an steerable catheter handle, showing our new design;

FIG. 2 is a top rear perspective view of the steerable catheter handle of FIG. 1;

FIG. 3 is a right side elevational view of the steerable catheter handle of FIG. 1;

FIG. 4 is a left side elevational view of the steerable catheter handle of FIG. 1;

FIG. 5 is a top plan view of the steerable catheter handle of FIG. 1;

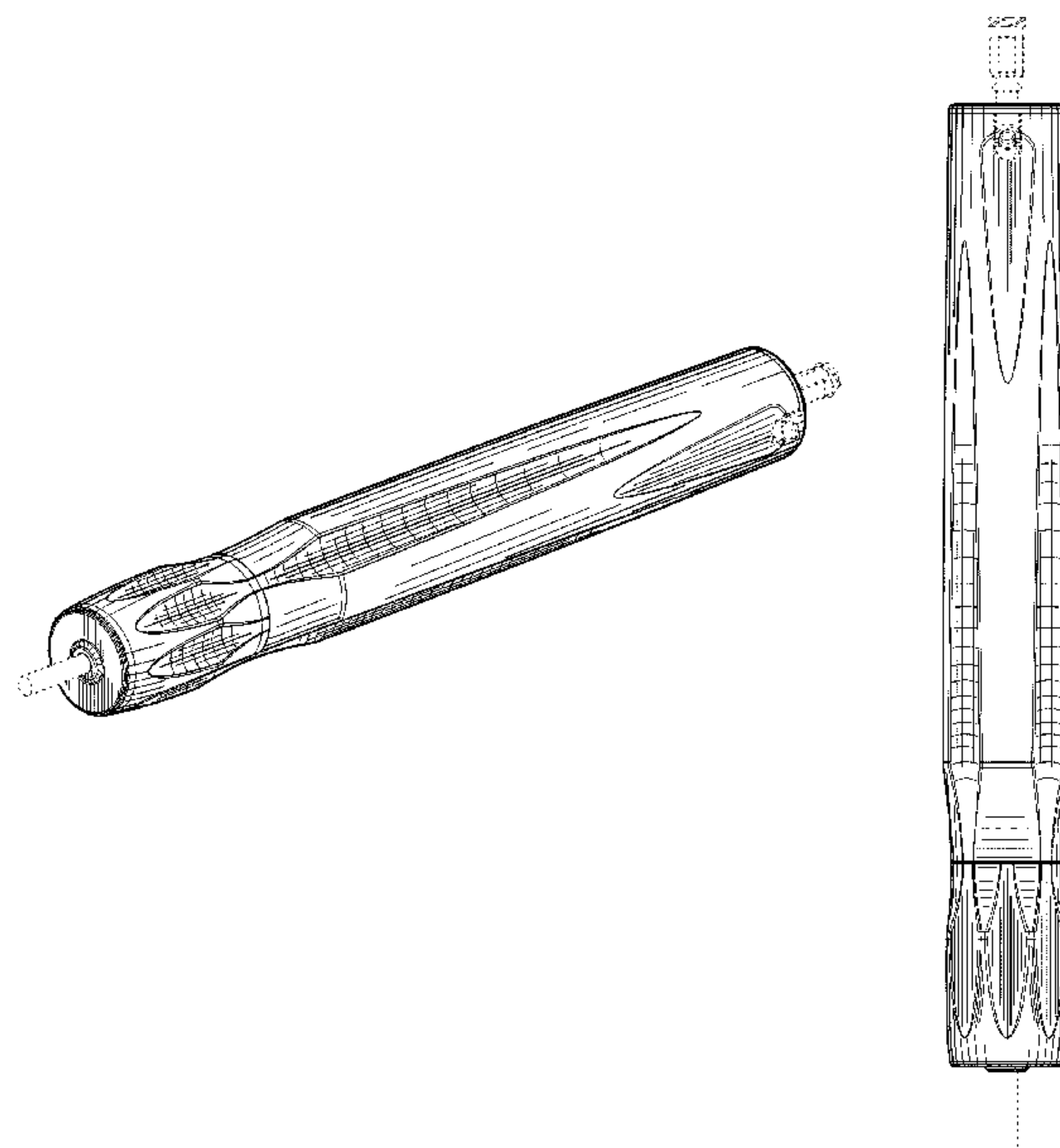
FIG. 6 is a bottom plan view of the steerable catheter handle of FIG. 1;

FIG. 7 is a front elevational view of the steerable catheter handle of FIG. 1; and,

FIG. 8 is a rear elevational view of the steerable catheter handle of FIG. 1.

The broken lines immediately adjacent the shaded areas represent the bounds of the claimed design while all other broken lines are directed to environment and are for illustrative purposes only; the broken lines form no part of the claimed design.

1 Claim, 4 Drawing Sheets



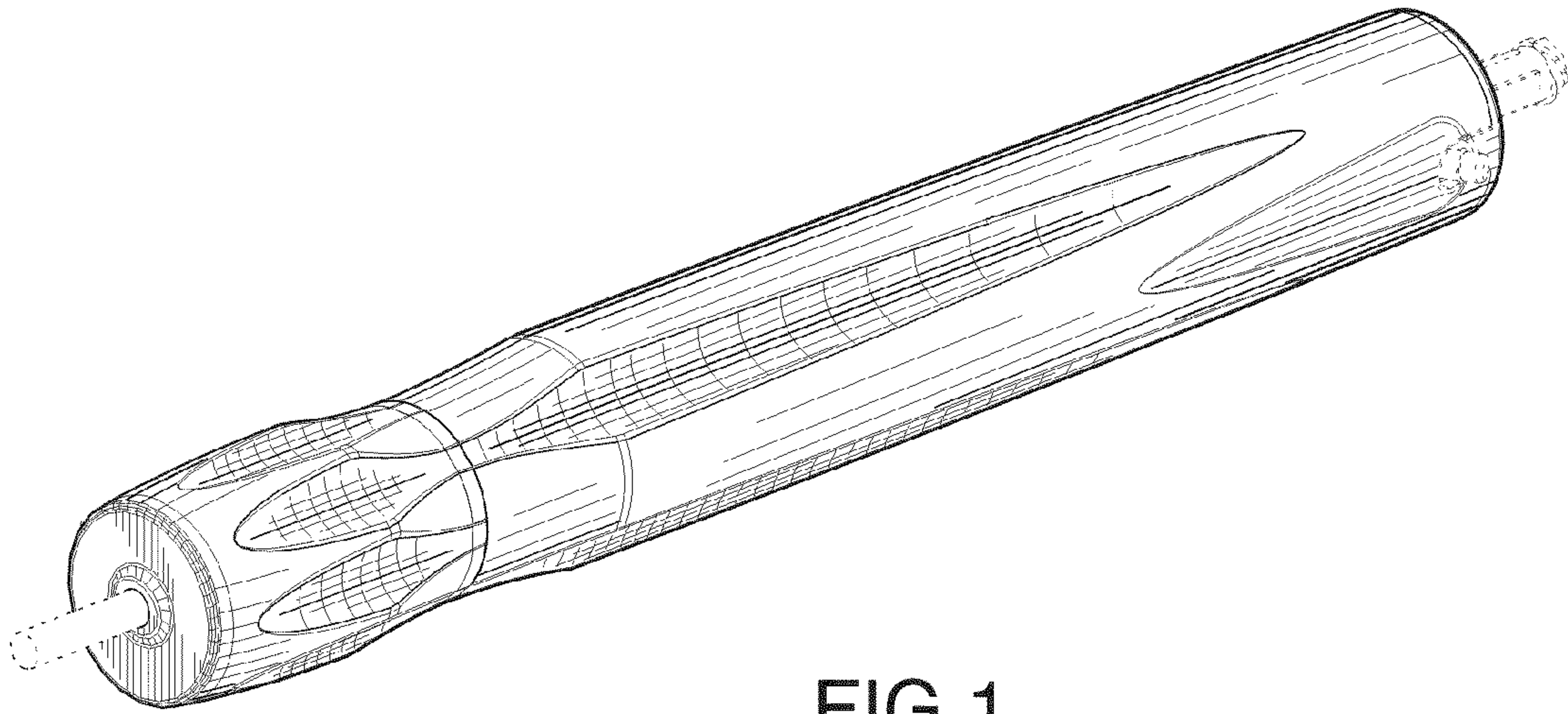


FIG.1

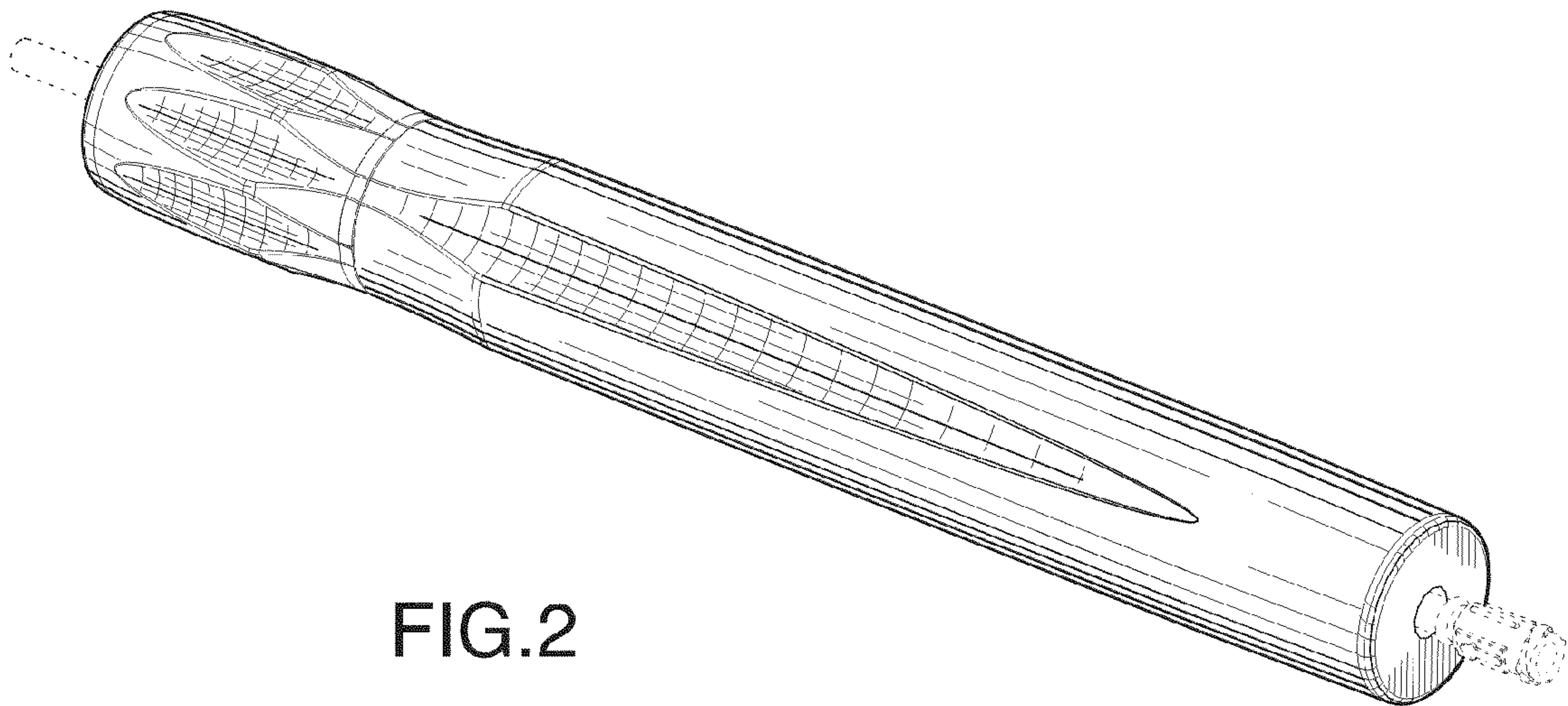


FIG.2

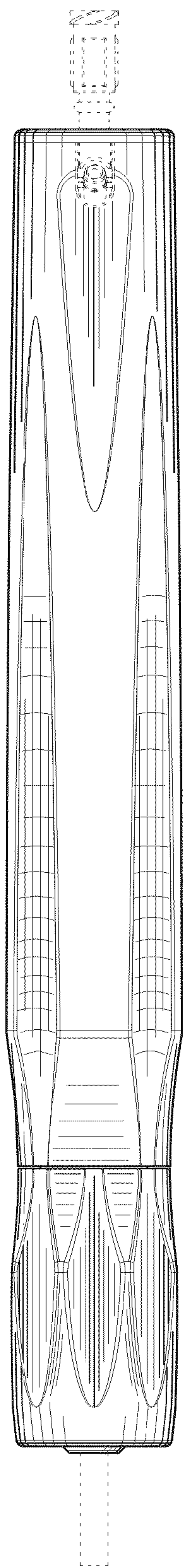


FIG.3

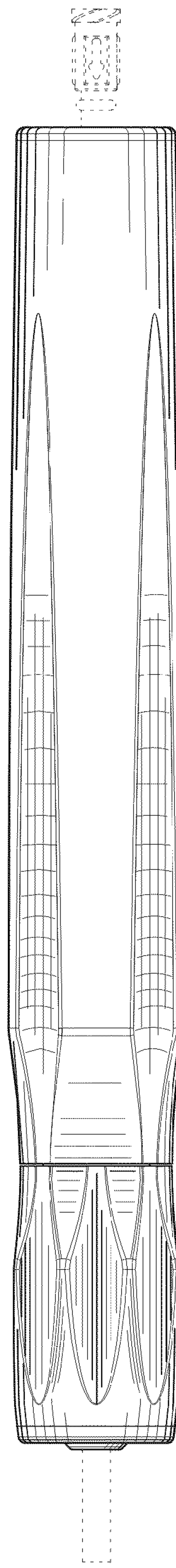


FIG.4

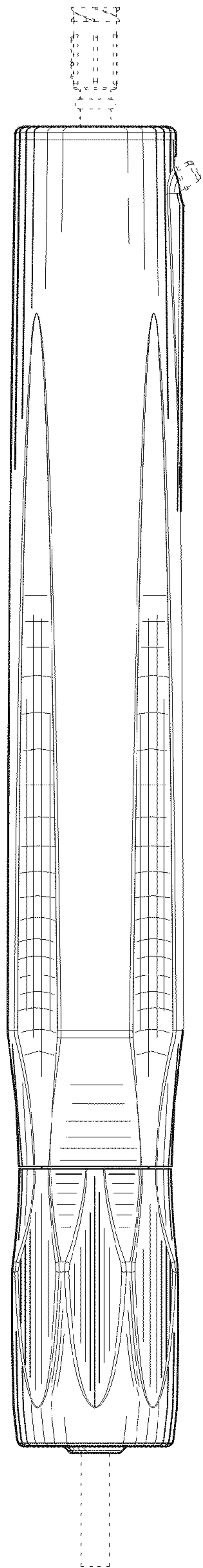


FIG. 5

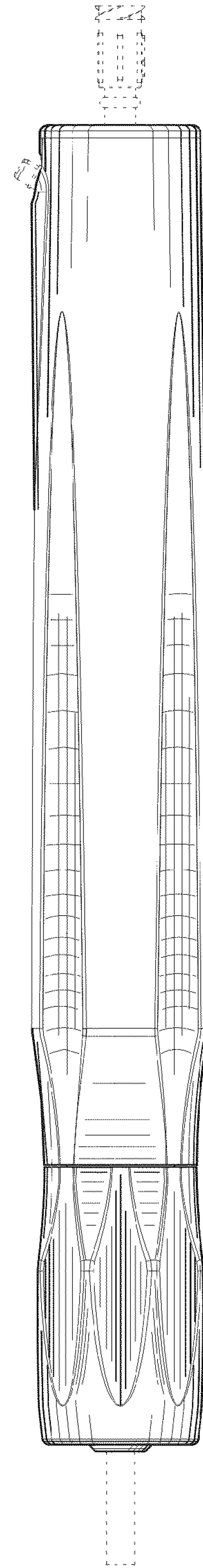


FIG. 6

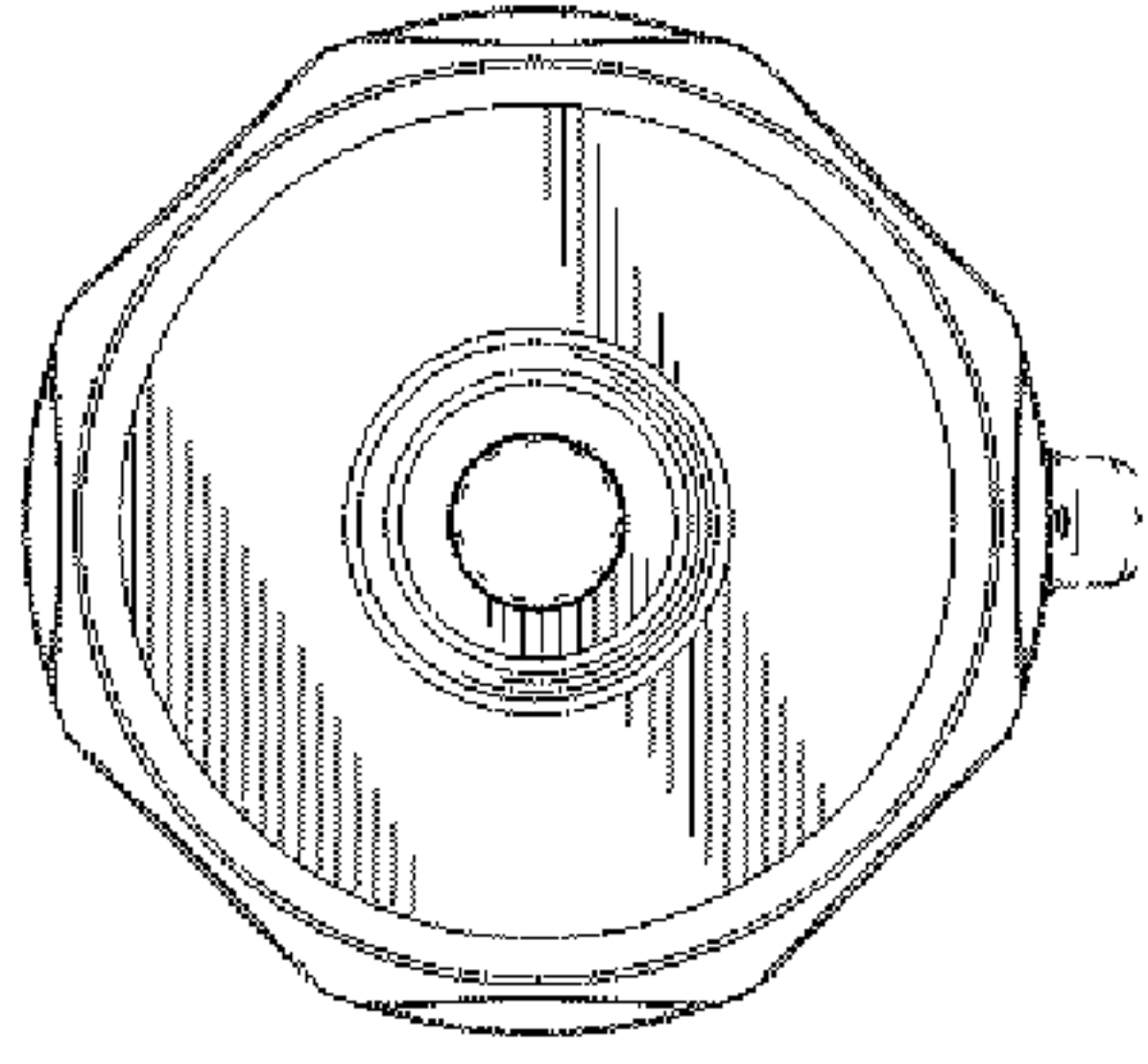


FIG. 7

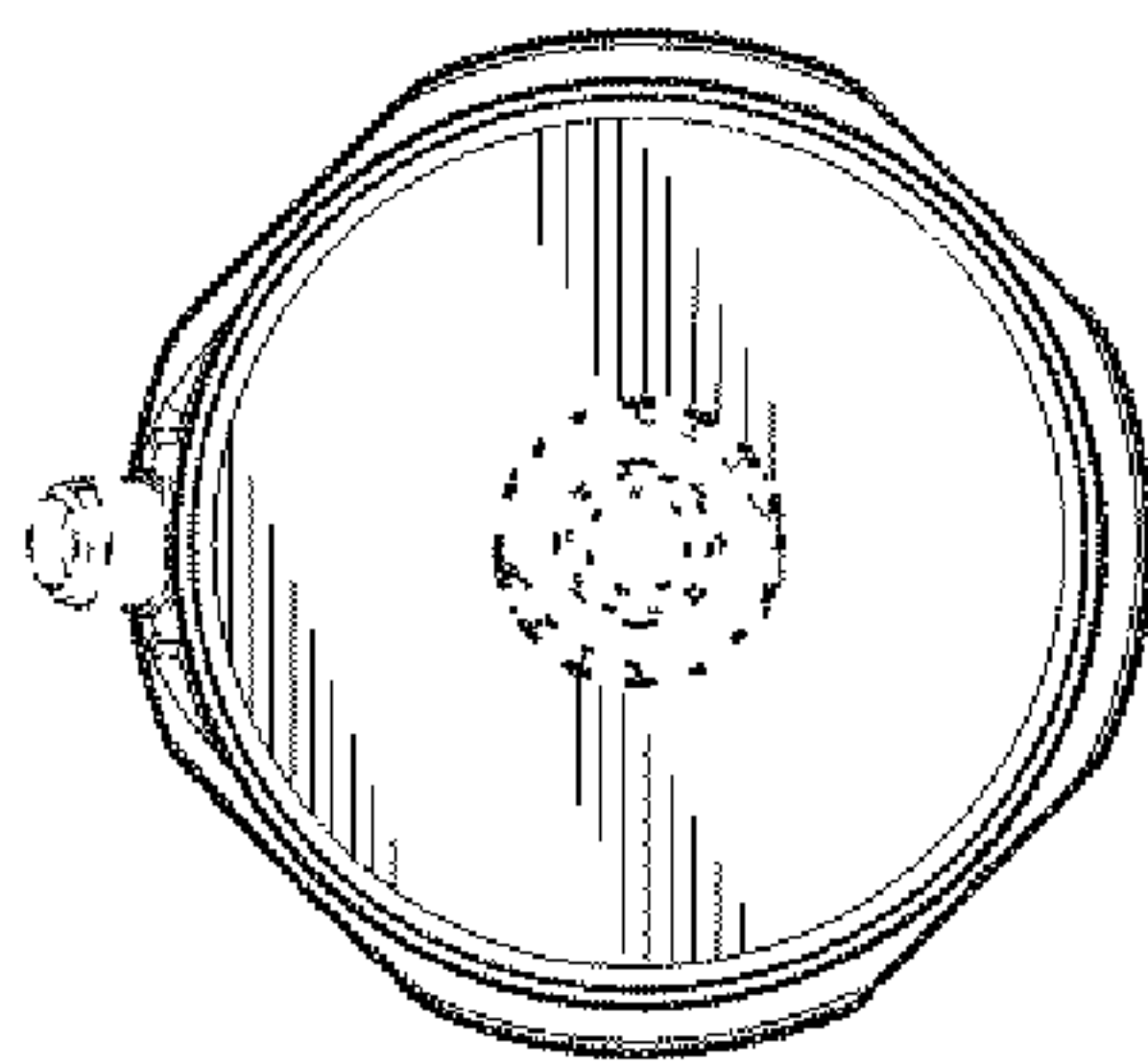


FIG. 8