



US00D648845S

(12) **United States Design Patent**
Omura et al.

(10) **Patent No.:** **US D648,845 S**
(45) **Date of Patent:** **** Nov. 15, 2011**

(54) **MASK BODY FOR RESPIRATOR**
(75) Inventors: **Keiko Omura**, Hino (JP); **Shinya Fujimoto**, Ibaraki (JP); **Akito Nishijima**, Ibaraki (JP)

D533,269 S * 12/2006 McAuley et al. D24/110.6
D542,912 S * 5/2007 Gunaratnam et al. D24/110.5
D557,802 S * 12/2007 Miceli et al. D24/110.6
D617,892 S * 6/2010 Brambilla et al. D24/110.1
D624,642 S * 9/2010 Collazo et al. D24/110.1
2006/0237017 A1 * 10/2006 Davidson et al. 128/205.25

(73) Assignee: **Teijin Pharma Limited**, Tokyo (JP)
(**) Term: **14 Years**

FOREIGN PATENT DOCUMENTS

EP 2140902 A1 * 1/2010
JP 1-22311 Y2 6/1989
JP 2-77052 U 6/1990
JP 2004-000570 A 1/2004
JP 2004-000572 A 1/2004
JP 2004-209061 A 7/2004
JP 2010284563 A * 12/2010
WO WO 2008106716 A1 * 9/2008

(21) Appl. No.: **29/369,641**

(22) Filed: **Sep. 10, 2010**

(30) **Foreign Application Priority Data**

Mar. 12, 2010 (JP) 2010-006148

(51) **LOC (9) Cl.** **29-02**

(52) **U.S. Cl.** **D24/110.1**

(58) **Field of Classification Search** D24/110,
D24/110.1, 110.4, 110.5, 110.6, 129, 164;
128/205.29, 205.25, 206.12, 206.13, 206.24,
128/206.19, 206.25, 206.28, 206.18, 207.13
See application file for complete search history.

* cited by examiner

Primary Examiner — Ian Simmons

Assistant Examiner — Rashida Johnson

(74) *Attorney, Agent, or Firm* — Sughrue Mion, PLLC

(57) **CLAIM**

The ornamental design for a mask body for respirator, as shown and described.

DESCRIPTION

FIG. 1 is a perspective view of a mask body for respirator showing our new design;

FIG. 2 is a front elevational view thereof;

FIG. 3 is a rear elevational view thereof;

FIG. 4 is a left side elevational view thereof;

FIG. 5 is a right side elevational view thereof;

FIG. 6 is a top plan view thereof; and,

FIG. 7 is a bottom plan view thereof.

(56) **References Cited**

U.S. PATENT DOCUMENTS

2,133,699 A 10/1938 Heidbrink
D322,318 S * 12/1991 Sullivan D24/164
5,243,971 A 9/1993 Sullivan et al.
5,311,862 A * 5/1994 Blasdel et al. 128/205.25
5,724,965 A * 3/1998 Handke et al. 128/207.13
6,039,043 A * 3/2000 Graber et al. 128/202.14
6,119,694 A * 9/2000 Correa et al. 128/207.13
D485,905 S * 1/2004 Moore et al. D24/110.1

1 Claim, 6 Drawing Sheets

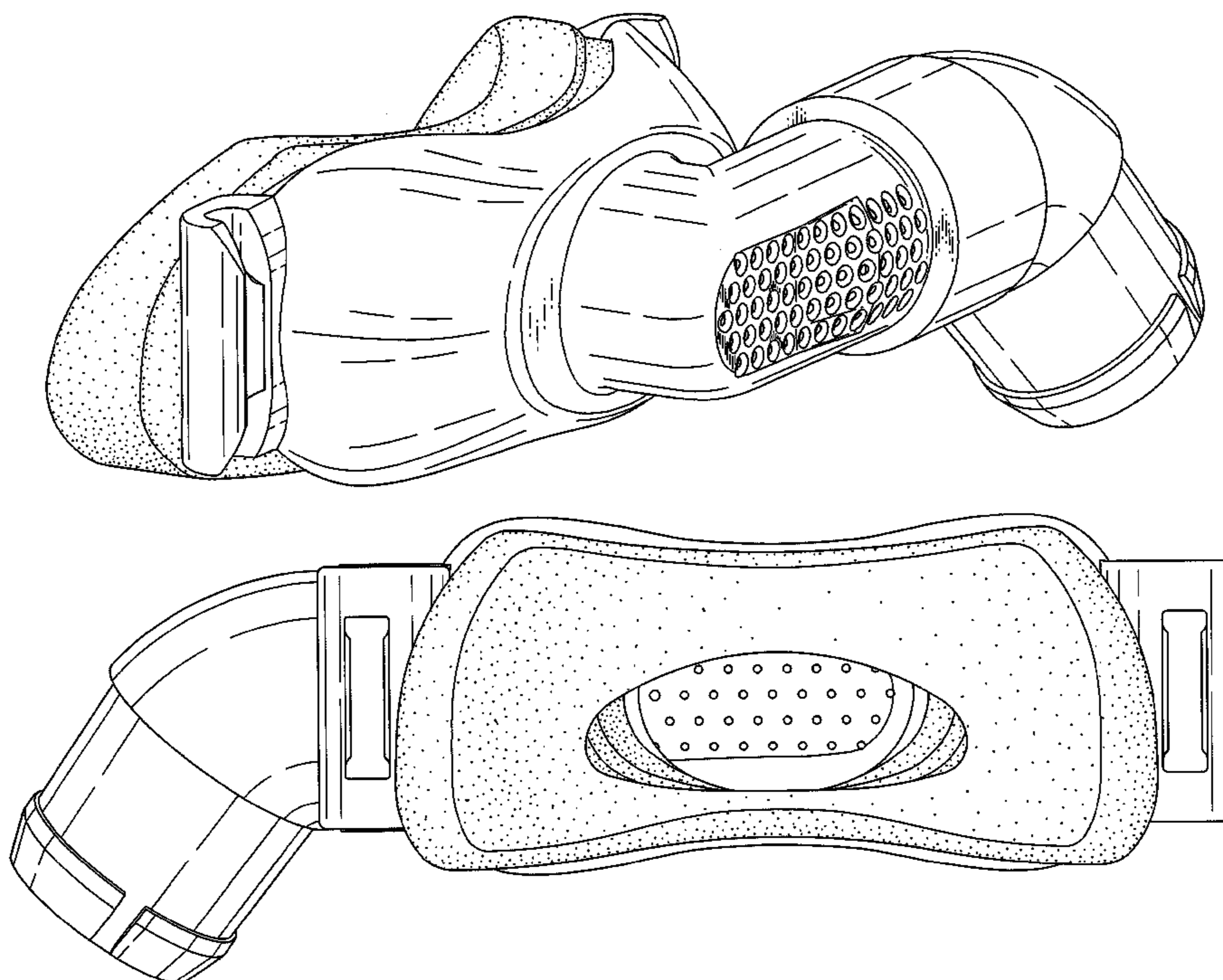


Fig. 1

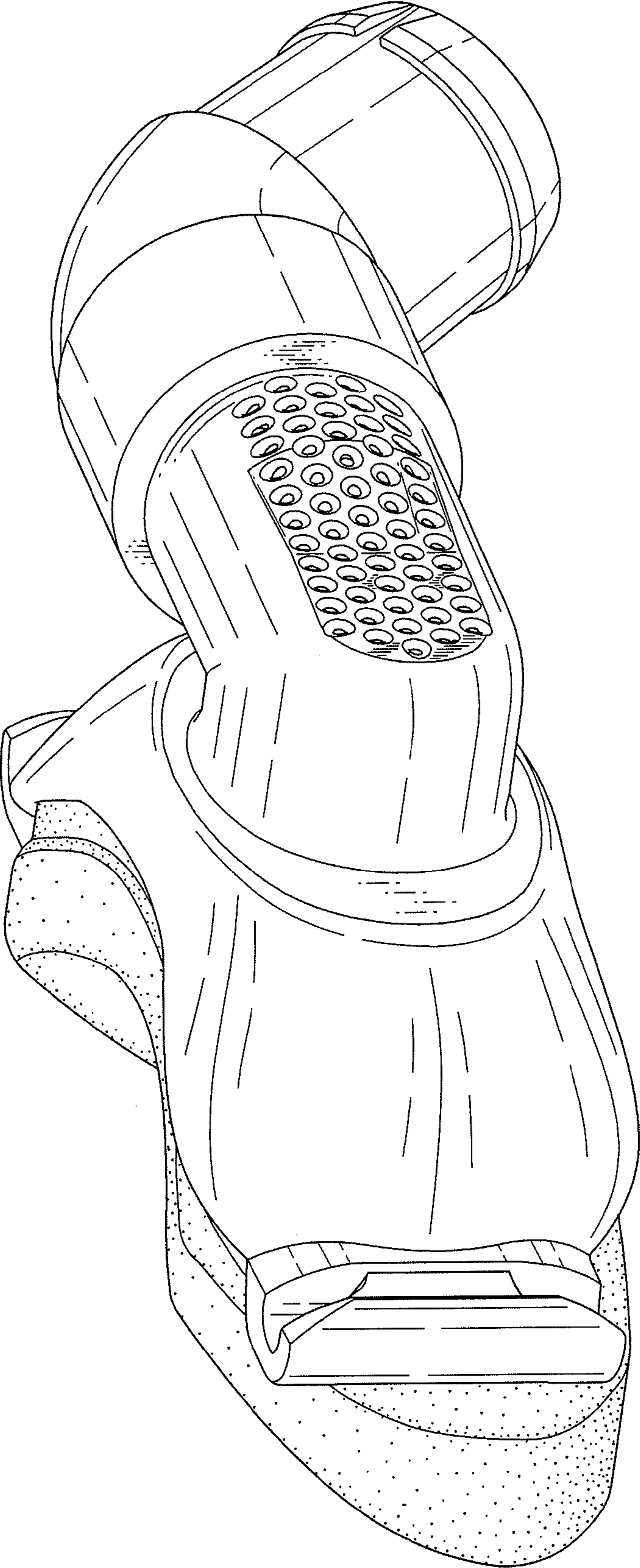


Fig. 2

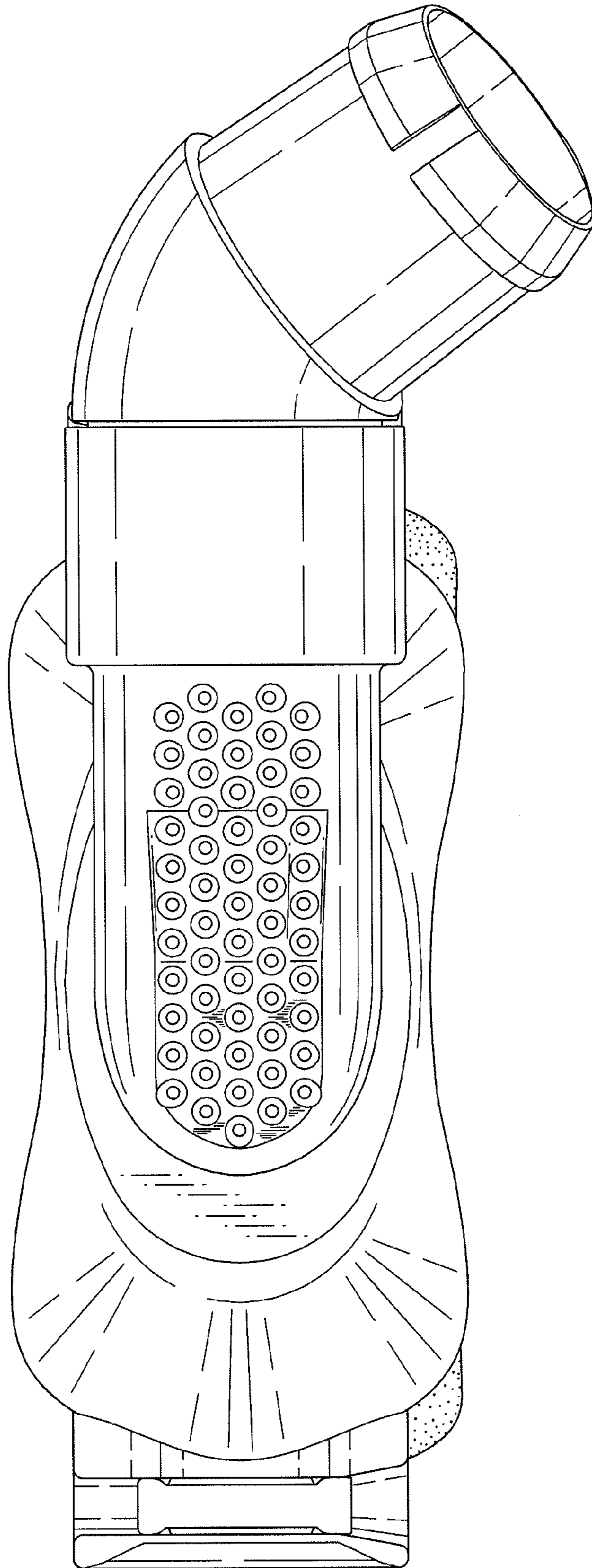


Fig. 3

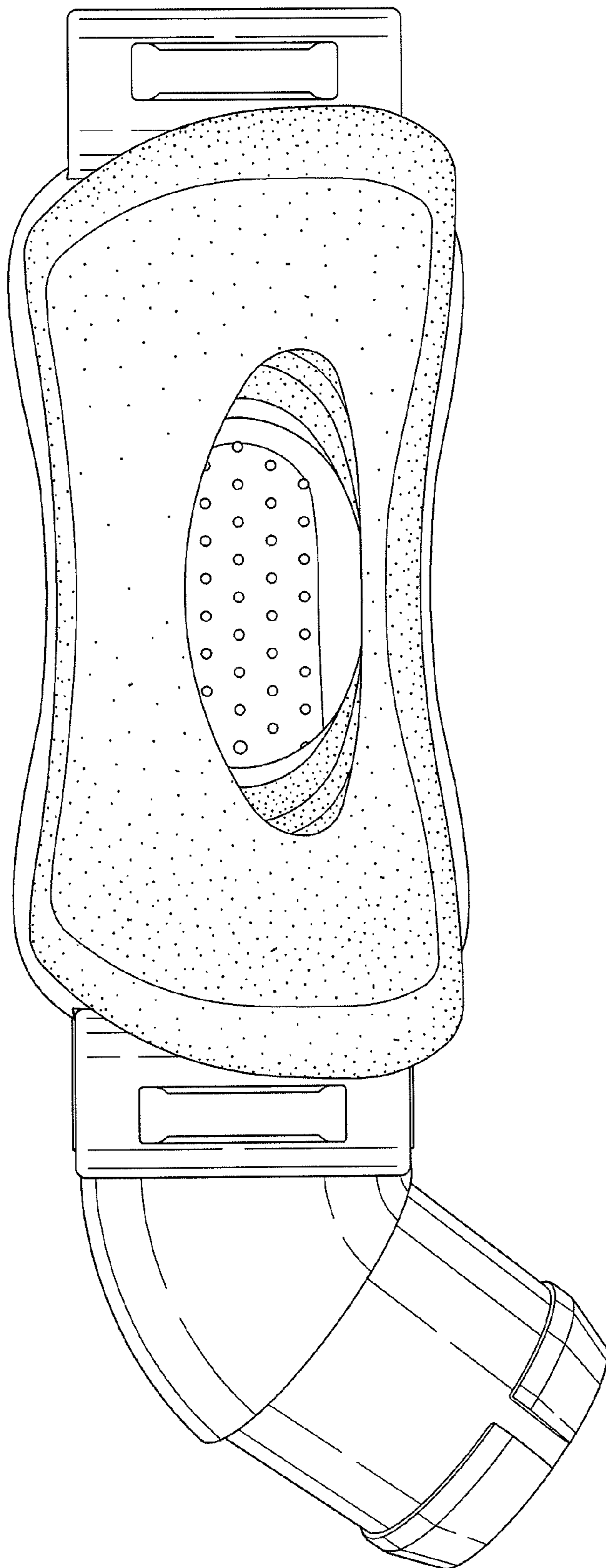


Fig.4

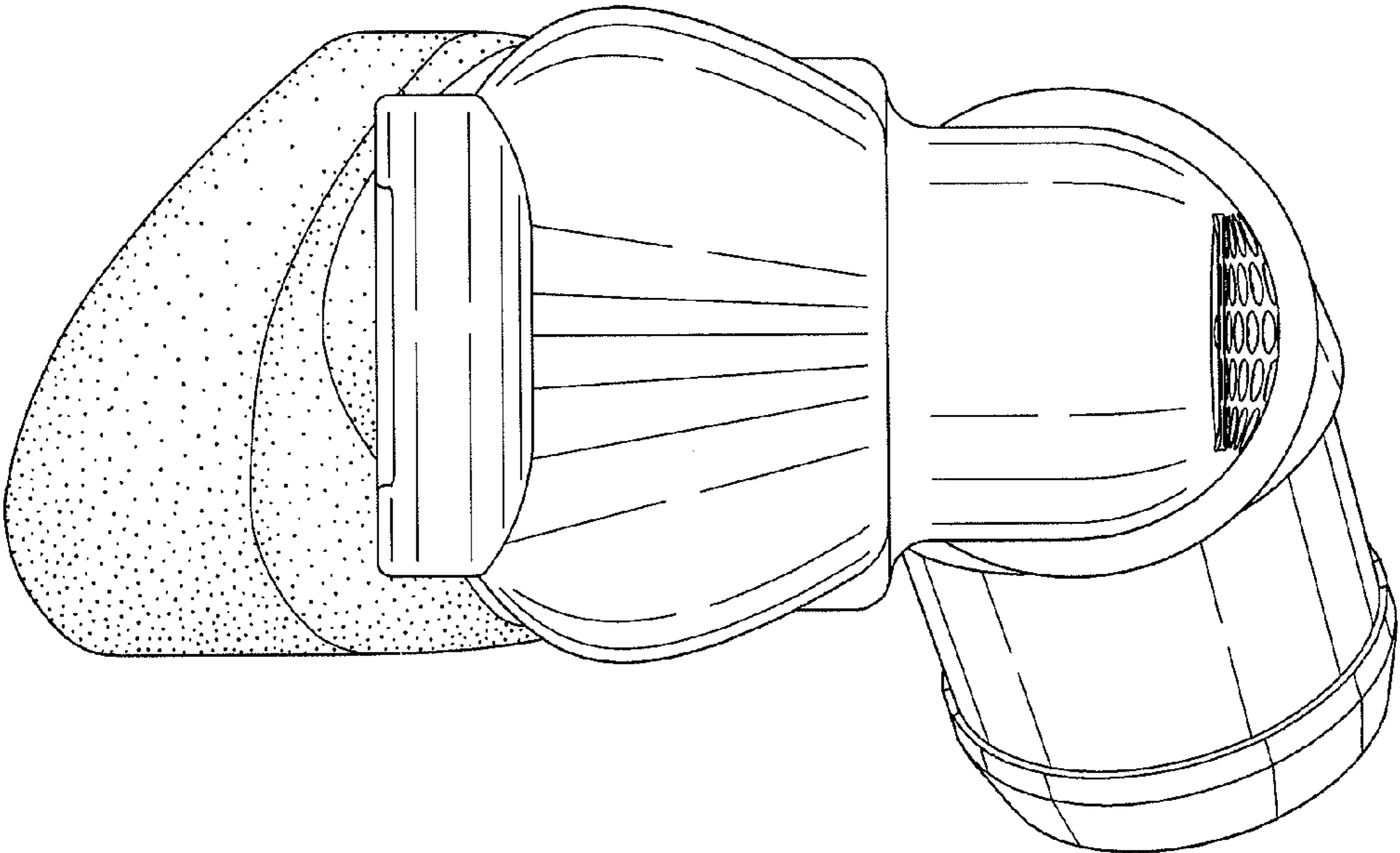


Fig.5

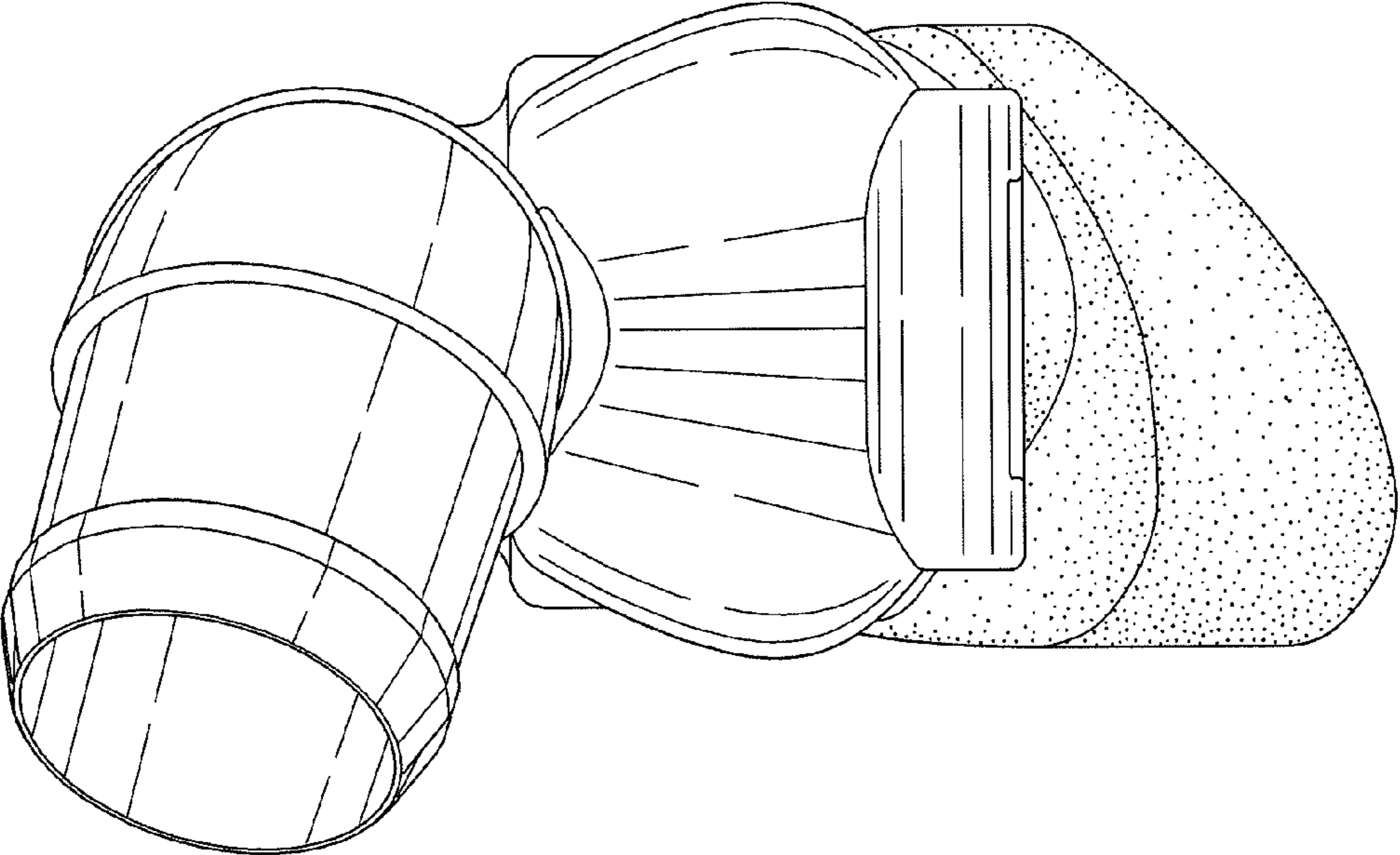


Fig. 6

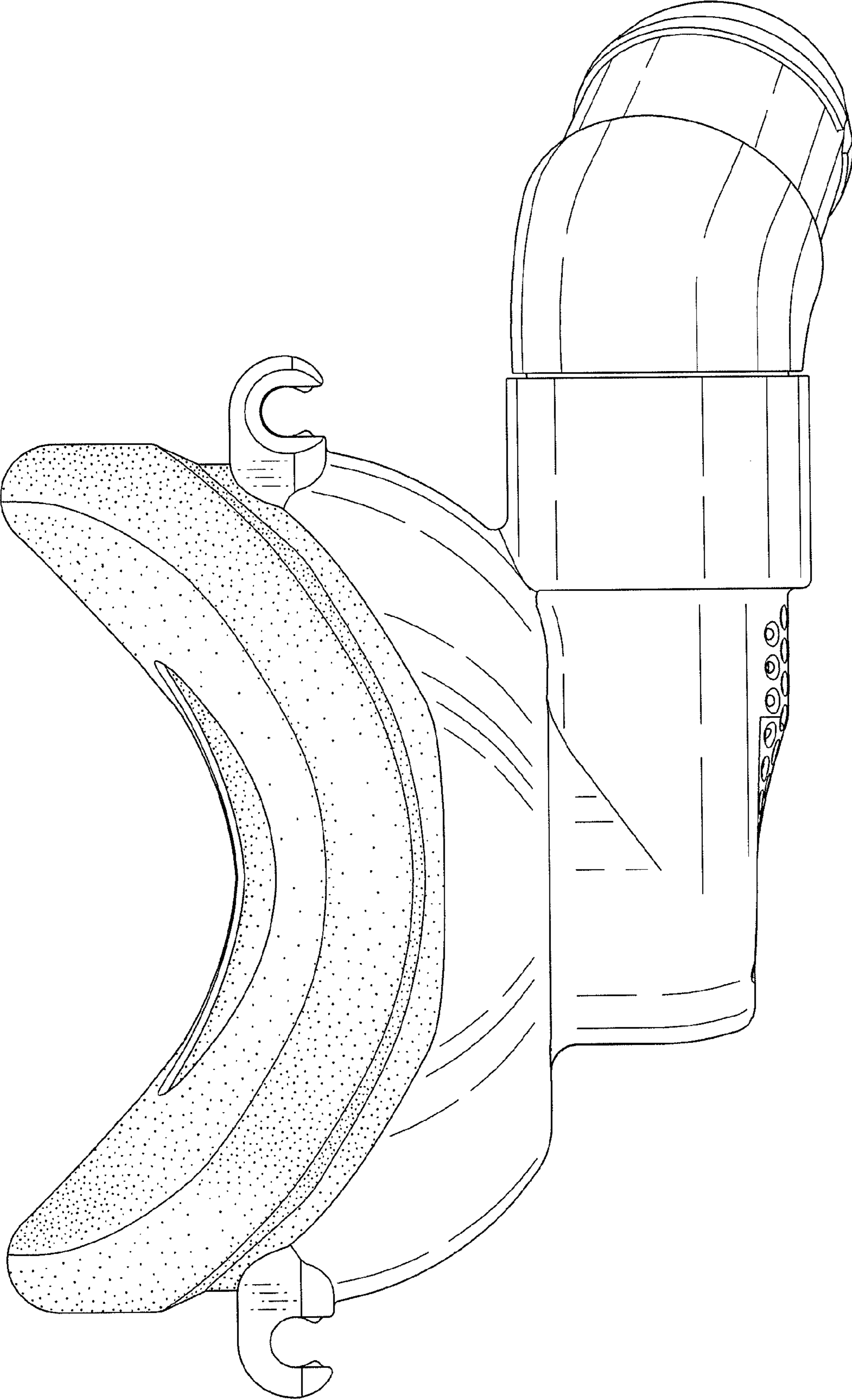


Fig. 7

