



US00D648843S

(12) **United States Design Patent**
Chen

(10) **Patent No.:** **US D648,843 S**

(45) **Date of Patent:** **** Nov. 15, 2011**

(54) **CEILING FAN**

D620,581 S * 7/2010 Chen D23/377
* cited by examiner

(76) Inventor: **Chia-Teh Chen**, Taipei (TW)

Primary Examiner — Lisa P Lichtenstein
(74) *Attorney, Agent, or Firm* — Li & Cai Intellectual Property (USA) Office

(**) Term: **14 Years**

(57) **CLAIM**
The ornamental design for a “ceiling fan,” as shown and described.

(21) Appl. No.: **29/382,321**

DESCRIPTION

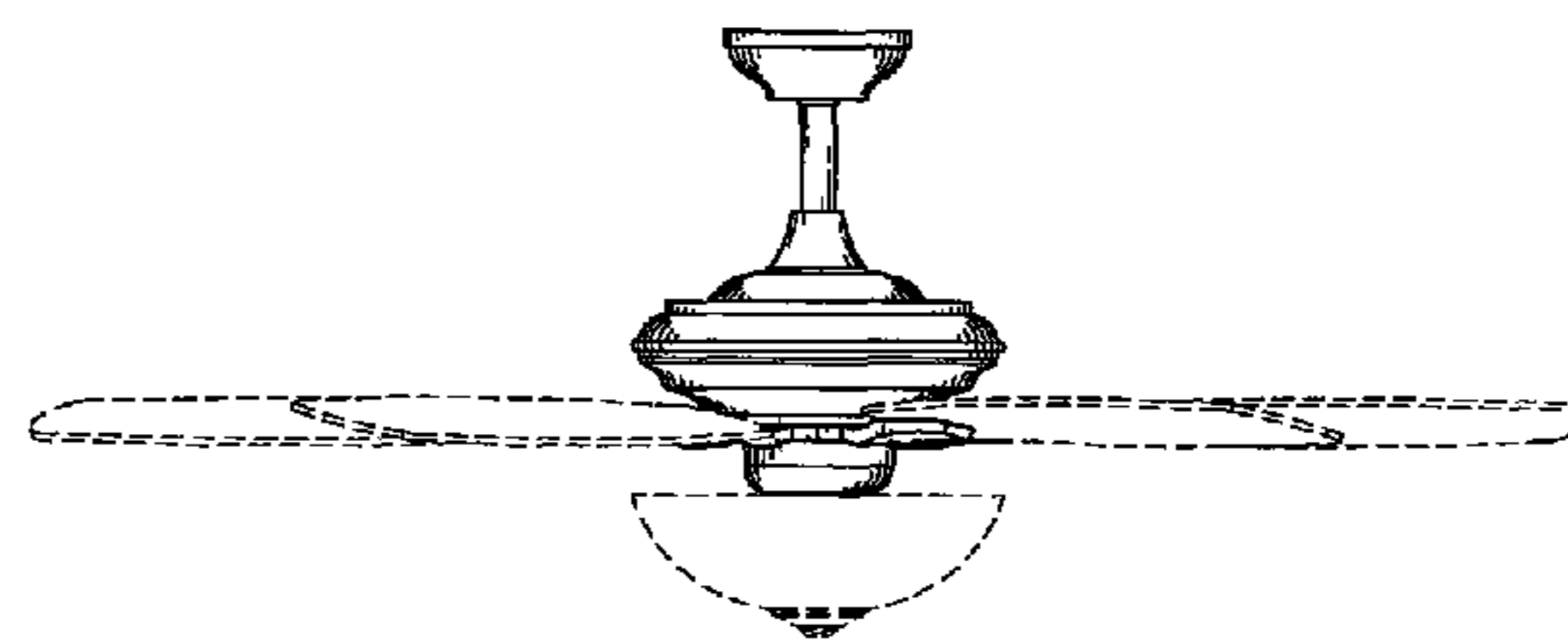
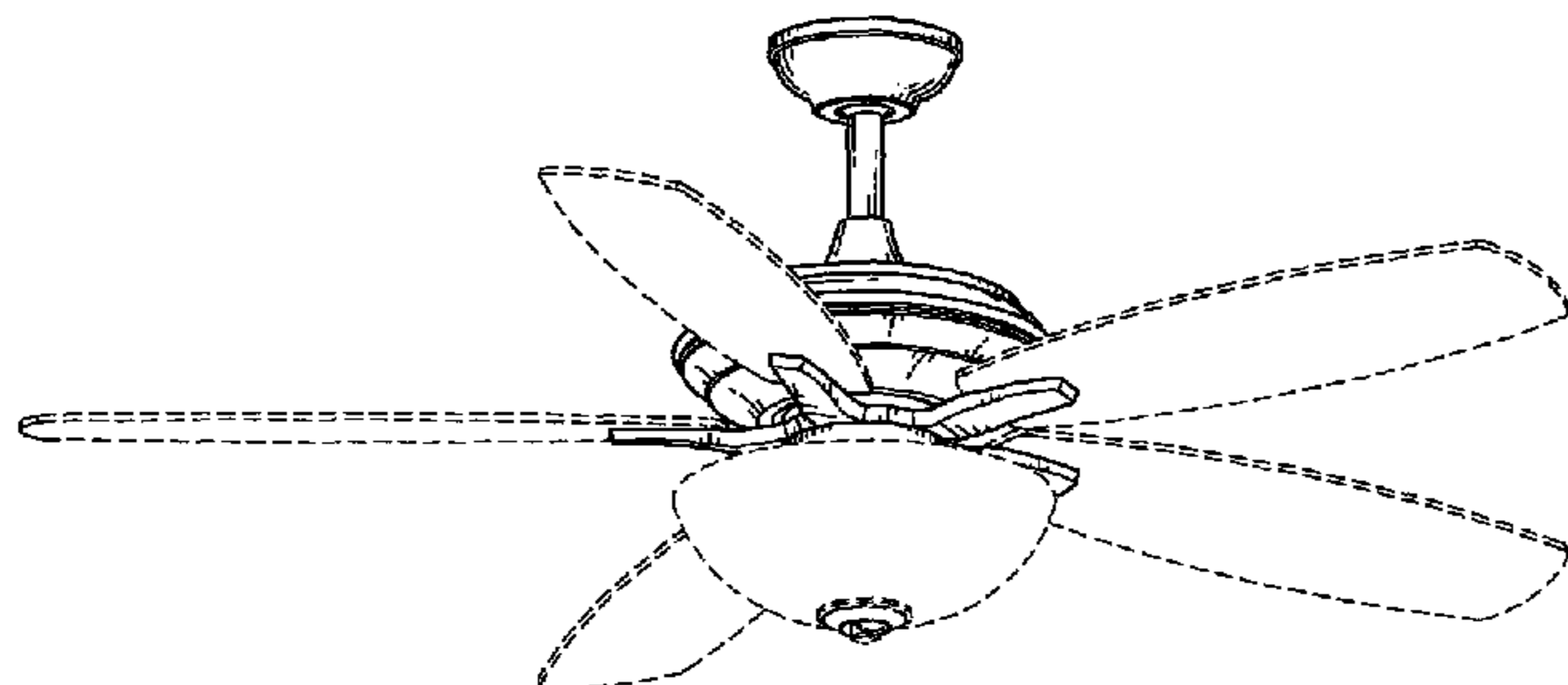
(22) Filed: **Dec. 31, 2010**
(51) **LOC (9) Cl.** **23-04**
(52) **U.S. Cl.** **D23/411**
(58) **Field of Classification Search** D23/377,
D23/379, 385, 411, 413; 416/5; D26/59,
D26/72, 81–86, 88, 51
See application file for complete search history.

FIG. 1 is a perspective view of a “ceiling fan” showing my design;
FIG. 2 is a front view thereof;
FIG. 3 is a rear view thereof;
FIG. 4 is a left side view thereof;
FIG. 5 is a right side view thereof;
FIG. 6 is a top view thereof; and,
FIG. 7 is a bottom view thereof.
The dashed lines in the drawings are for illustrative purpose only and form no part of the claimed design.

(56) **References Cited**

U.S. PATENT DOCUMENTS
D450,830 S * 11/2001 Hidalgo D23/377

1 Claim, 7 Drawing Sheets



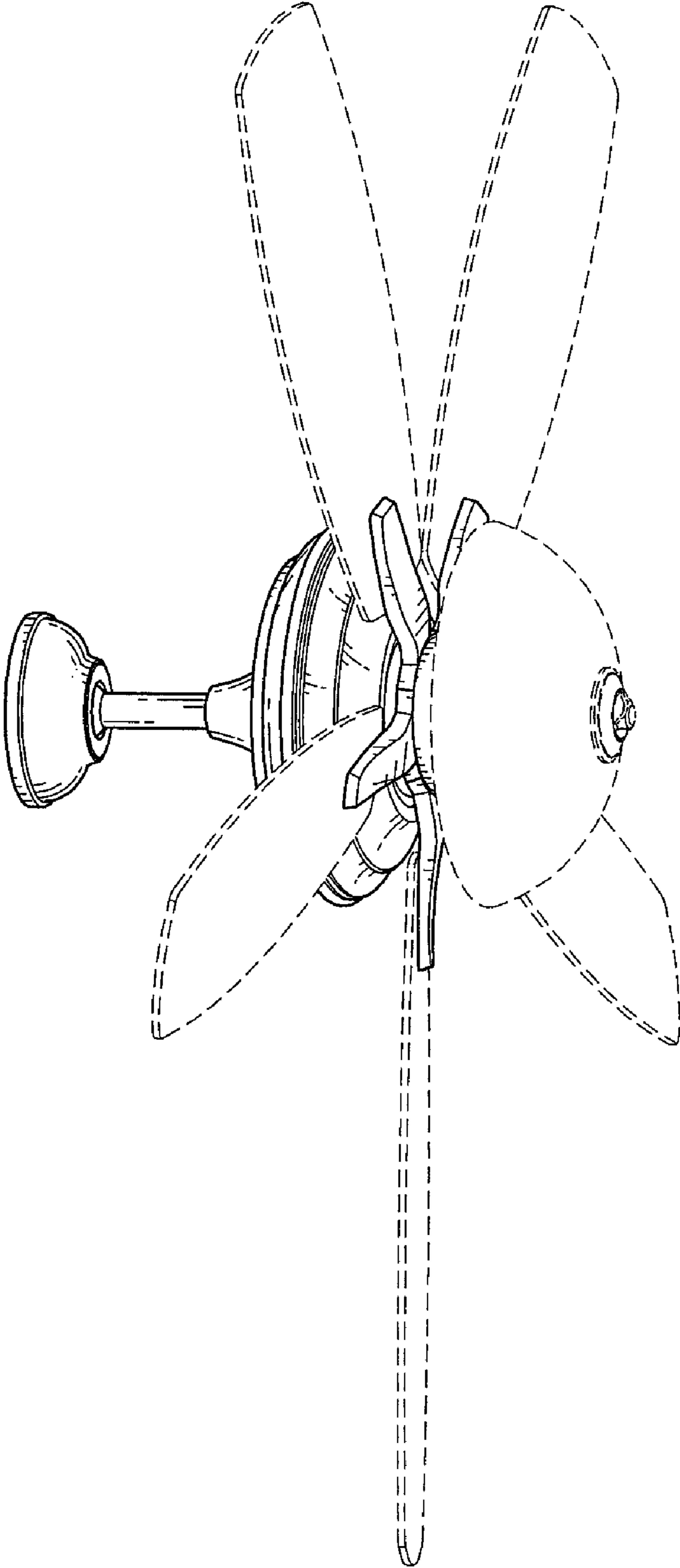


FIG. 1

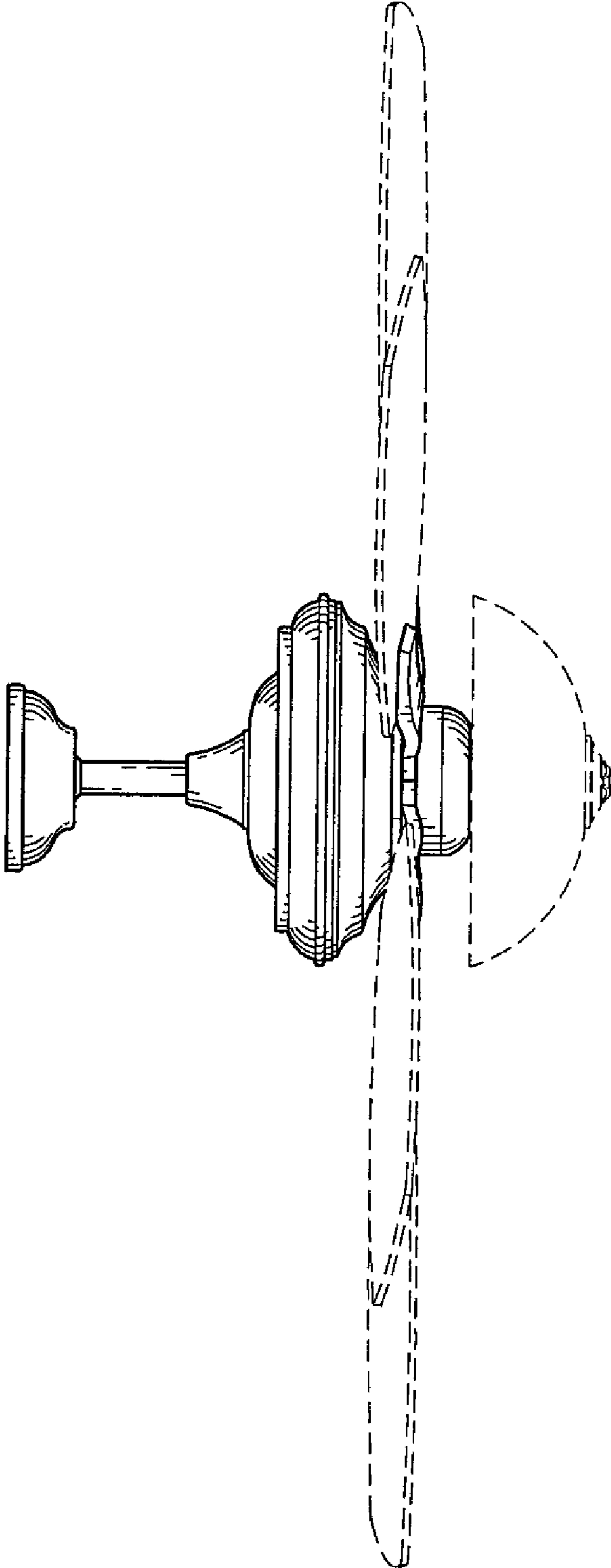


FIG. 2

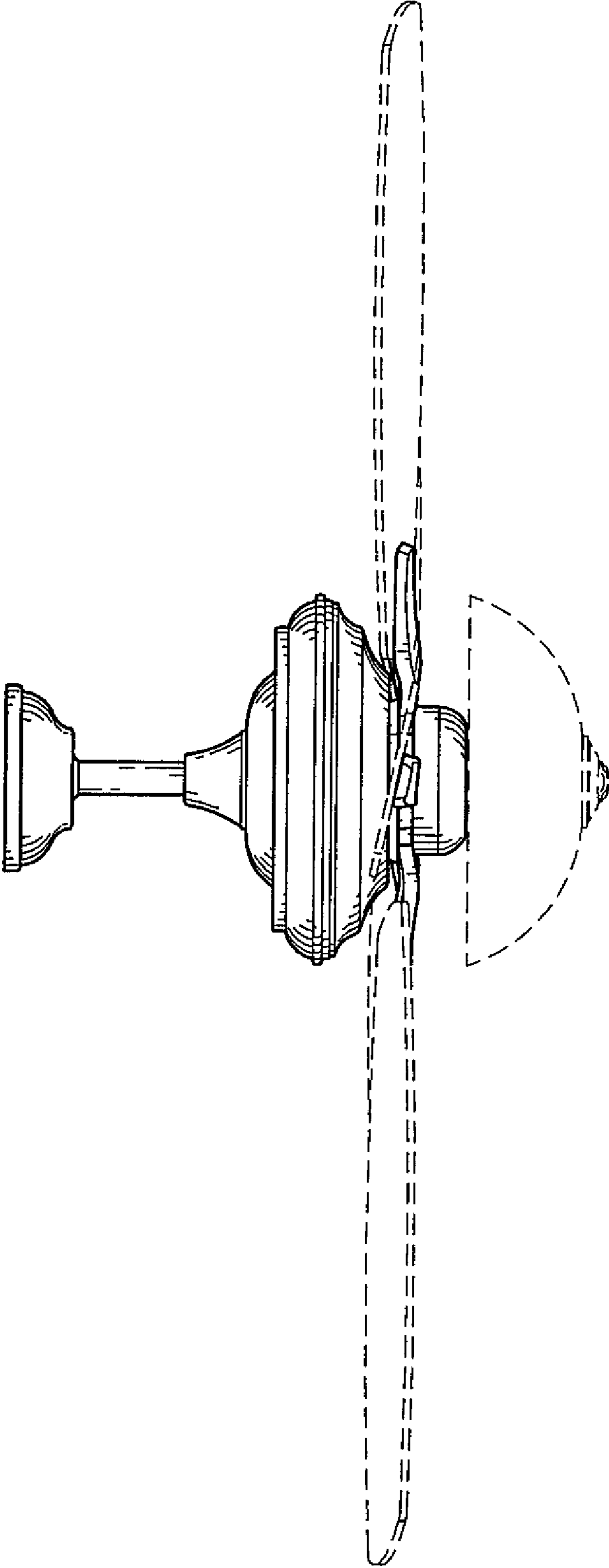


FIG. 3

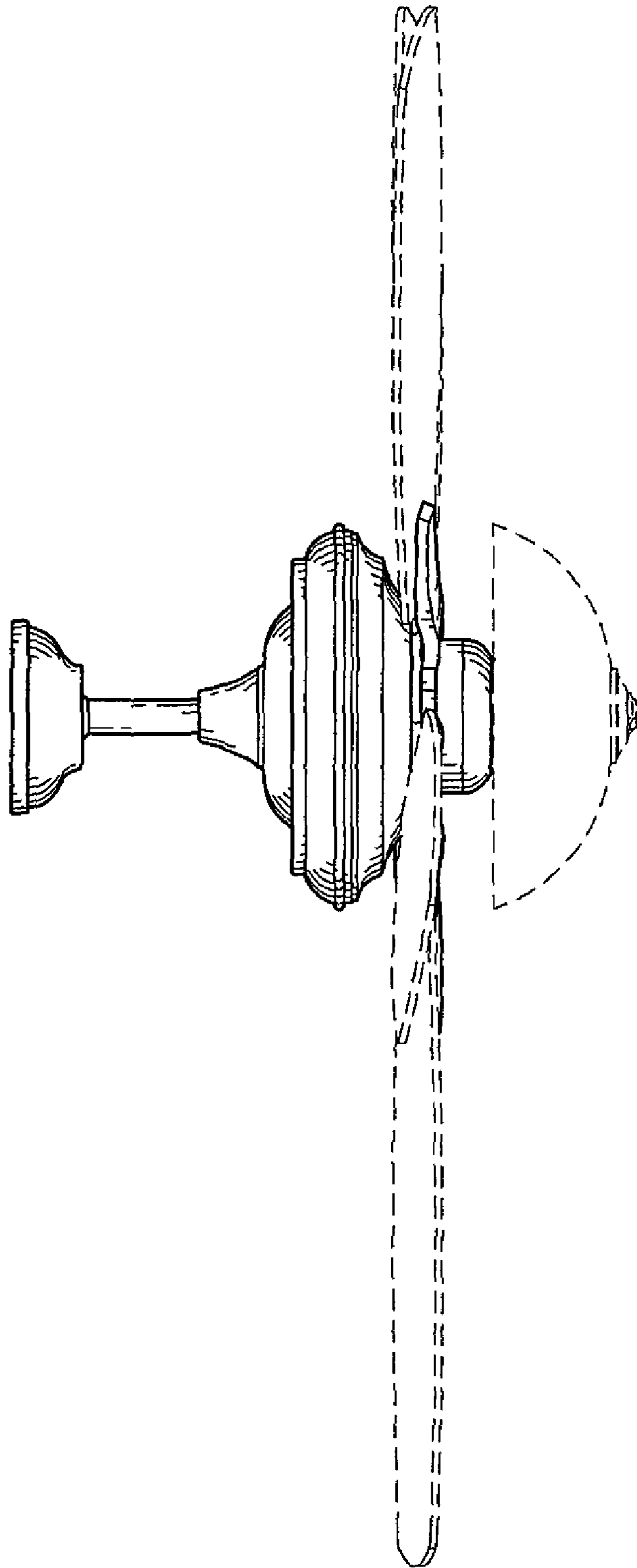


FIG. 4

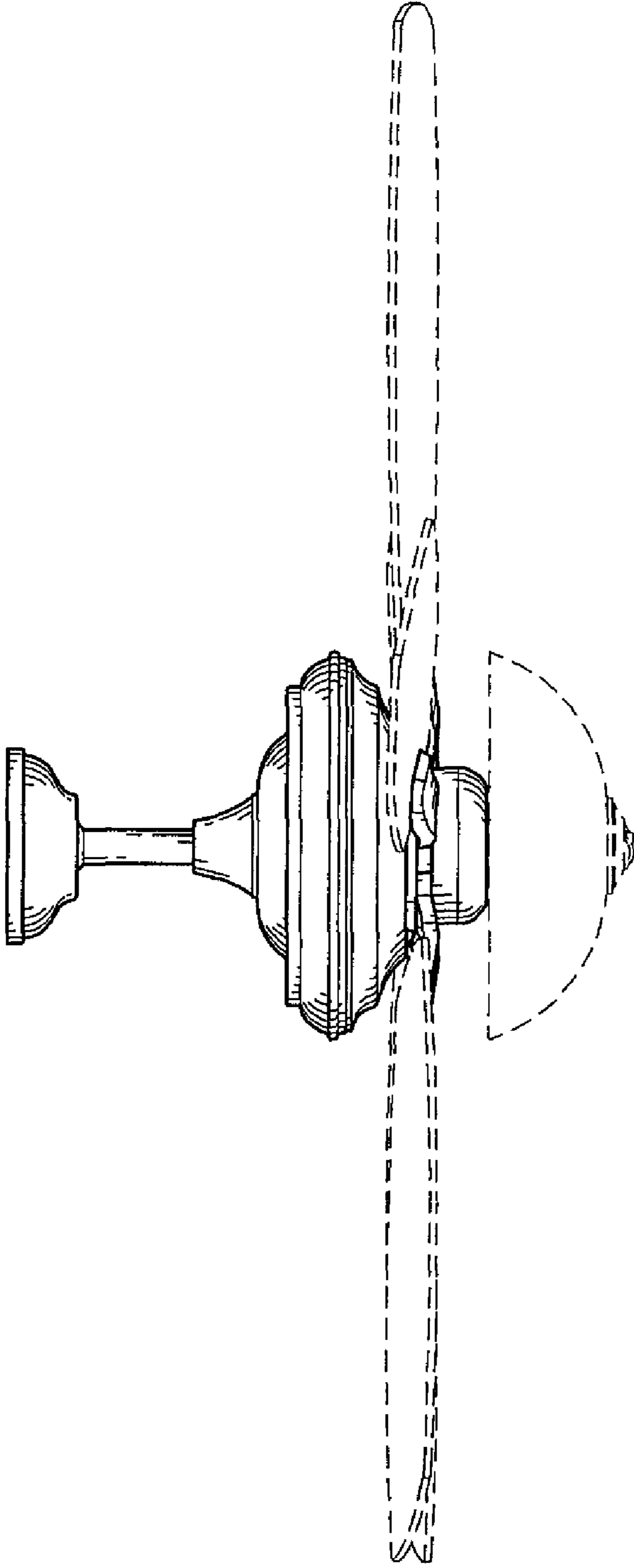


FIG. 5

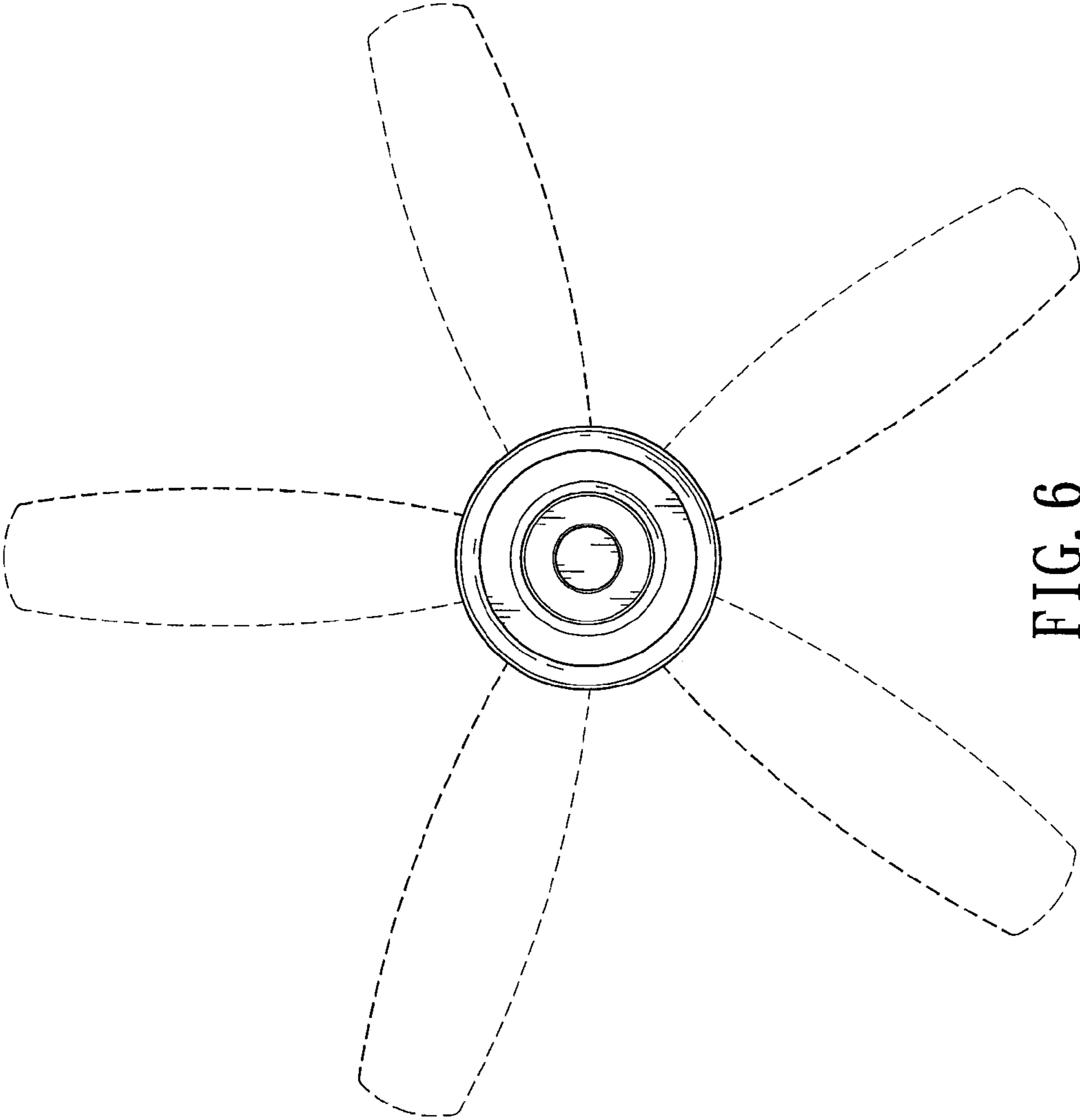


FIG. 6

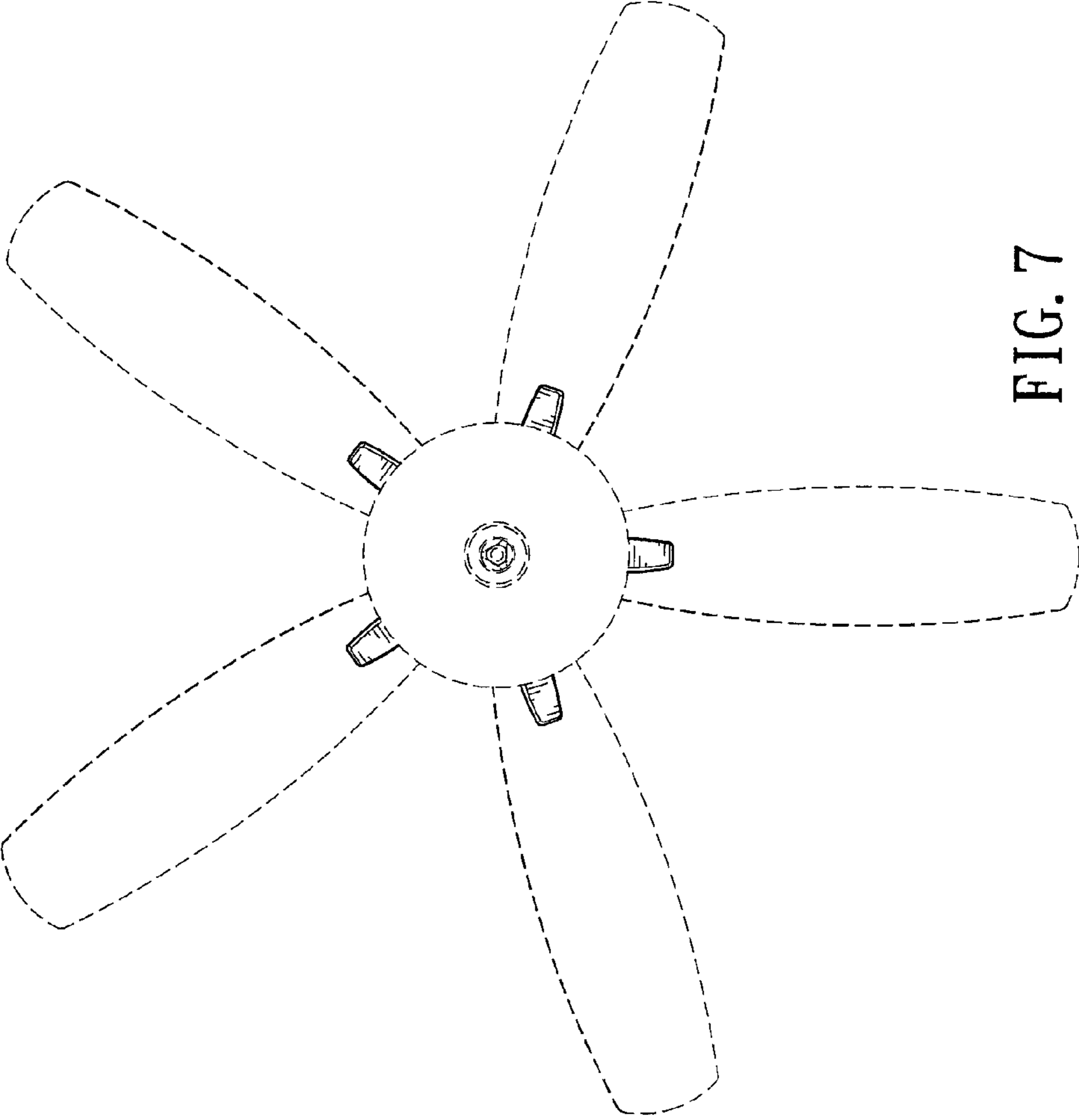


FIG. 7