



US00D648840S

(12) **United States Design Patent**
Corpuz et al.

(10) **Patent No.:** **US D648,840 S**

(45) **Date of Patent:** **** Nov. 15, 2011**

(54) **PLUMBING FIXTURE**

(75) Inventors: **Roque M. Corpuz**, Sheboygan, WI (US); **Mary Reid**, Sheboygan, WI (US)

(73) Assignee: **Kohler Co.**, Kohler, WI (US)

(**) Term: **14 Years**

(21) Appl. No.: **29/388,112**

(22) Filed: **Mar. 24, 2011**

Related U.S. Application Data

(62) Division of application No. 29/381,200, filed on Dec. 16, 2010, now Pat. No. Des. 637,703.

(51) **LOC (9) Cl.** **23-02**

(52) **U.S. Cl.** **D23/313**

(58) **Field of Classification Search** D23/301,
D23/303, 309, 313; 4/353
See application file for complete search history.

(56) **References Cited**

U.S. PATENT DOCUMENTS

D390,934 S	2/1998	McKeone	
D440,643 S *	4/2001	McKeone	D23/313
D491,651 S *	6/2004	Bates	D23/313
D496,443 S *	9/2004	Bates	D23/301
D508,732 S	8/2005	Rivas	
D556,300 S	11/2007	Lin et al.	
D578,621 S	10/2008	Lee et al.	
D581,501 S *	11/2008	Zou et al.	D23/313
D594,535 S	6/2009	Bucher	
D603,489 S	11/2009	Bucher	
D621,011 S *	8/2010	Bucher	D23/301

OTHER PUBLICATIONS

Kohler Co. Wellworth Pressure-Lite Toilet. Model No. K-3505.
Kohler Co. brochure.

Kohler Co. Highline Comfort Height Elongated Toilet. Model No. K-3427-T. Kohler Co. on-line catalog. Copyright 2009 Kohler Co.
Americam Standard. "Tropic Cadet 3 Two-Piece Round Front Toilet". HomePortfolio.com online catalog. Copyright 1997-2009 HomePortfolio Inc.

Kohler Co. Leighton Toilet Tank in Mexican Sand. Model No. K-4628. Bellacor.com online catalog. Copyright 2000-2009 Bellacor.com Inc.

Kohler Co. Serif Comfort Height Elongated Toilet. Model No. K-3464. Kohler Co. online catalog. Copyright 2009 Kohler Co.

* cited by examiner

Primary Examiner — Robert Delehanty

(74) *Attorney, Agent, or Firm* — Foley & Lardner LLP

(57) **CLAIM**

The ornamental design for a plumbing fixture, as shown and described.

DESCRIPTION

FIG. 1 is a left, top, front perspective view of a plumbing fixture in the form of a tank lid according to an embodiment of our new design;

FIG. 2 is a front elevational view thereof;

FIG. 3 is a left side elevational view thereof;

FIG. 4 is a right side elevational view thereof;

FIG. 5 is a top plan view thereof;

FIG. 6 is a bottom plan view thereof;

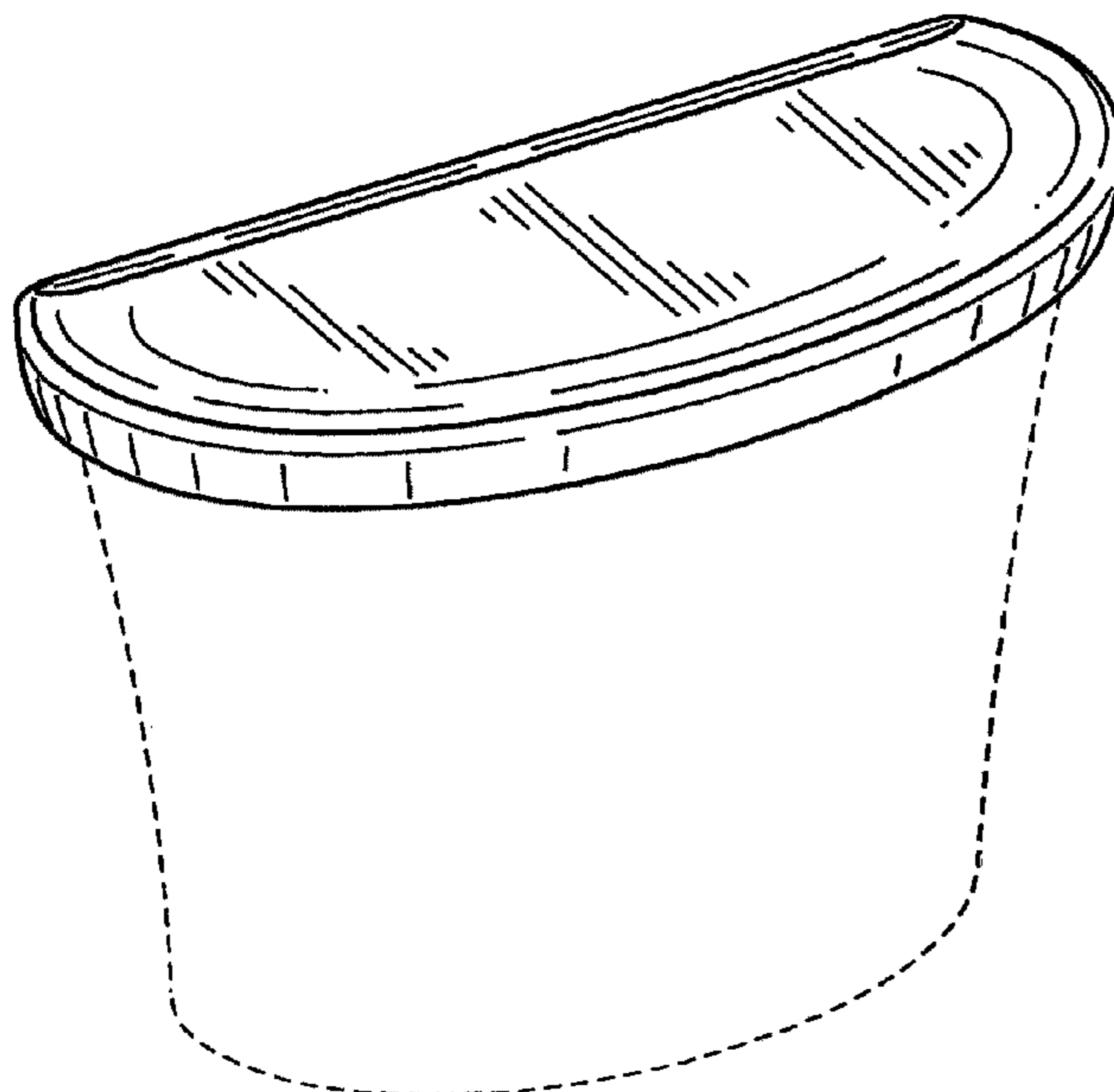
FIG. 7 is a rear elevational view thereof;

FIG. 8 is a side sectional view taken along line 8-8 of FIG. 5; and,

FIG. 9 is a front sectional view taken along line 9-9 of FIG. 5.

The dash-dash broken lines in the figures are for the purpose of illustrating unclaimed surfaces or environment of the design. The dot-dash-dot broken lines define unclaimed boundaries of the design. The broken lines are thus not part of the claim.

1 Claim, 4 Drawing Sheets



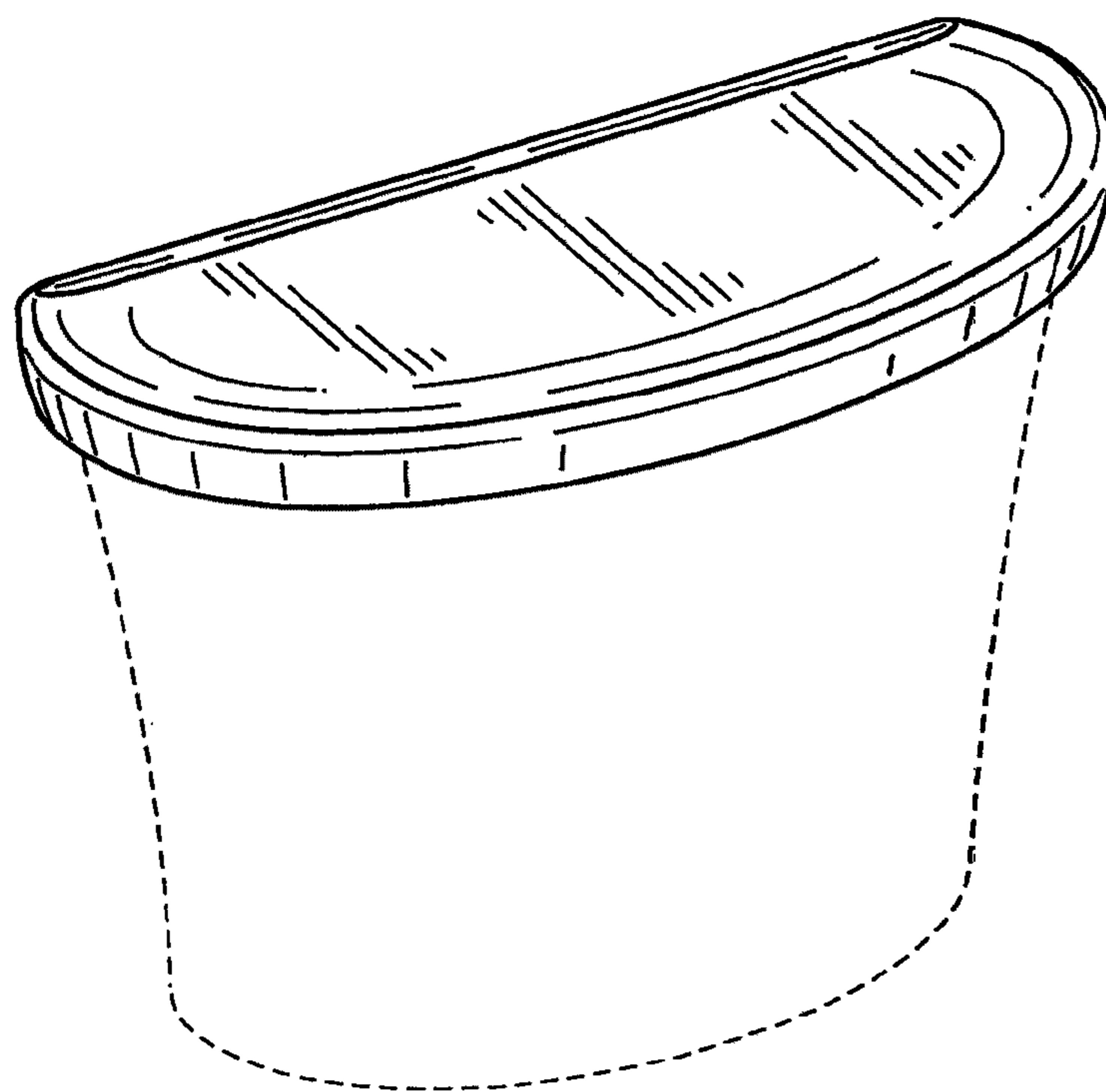


FIG. 1

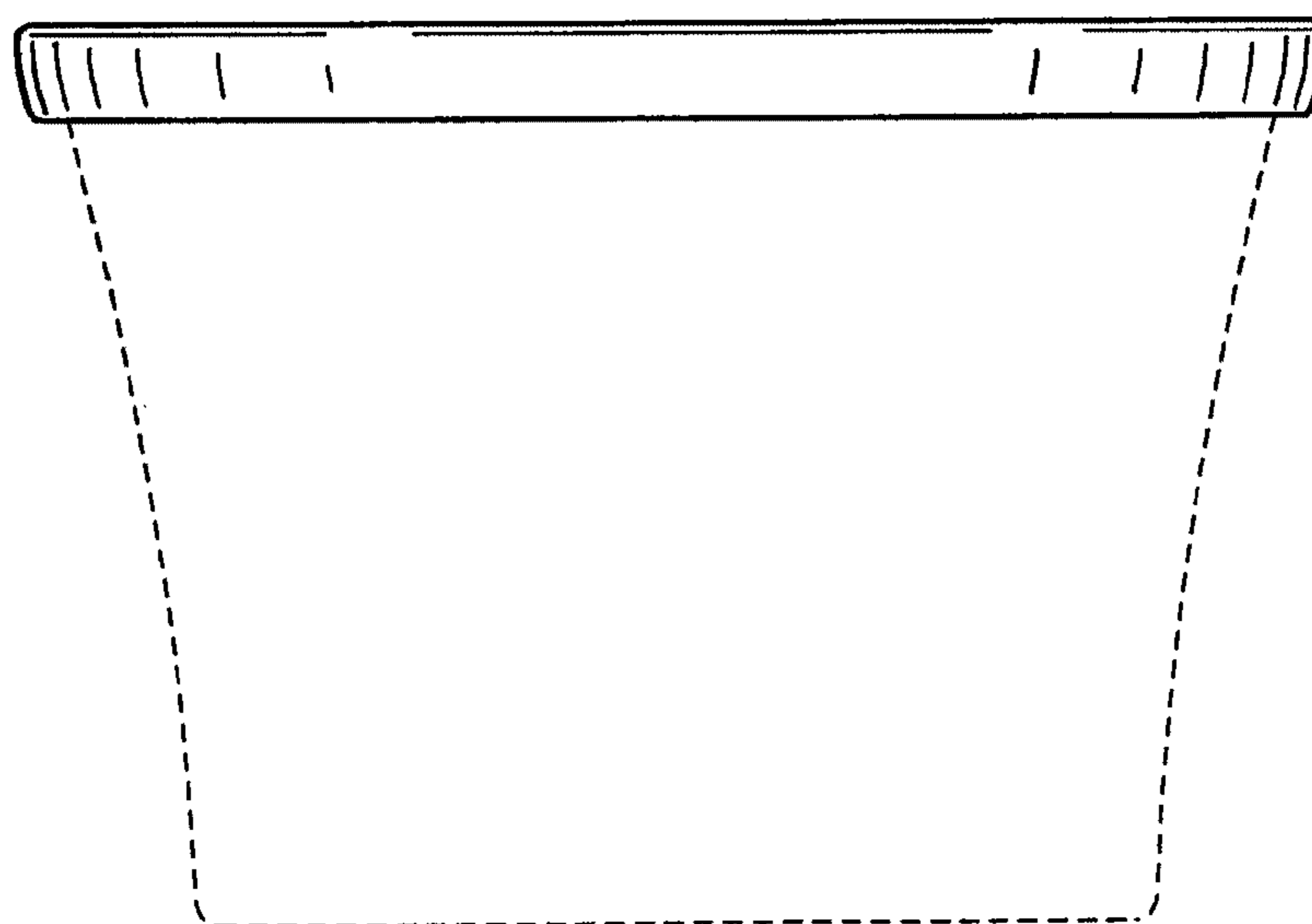


FIG. 2

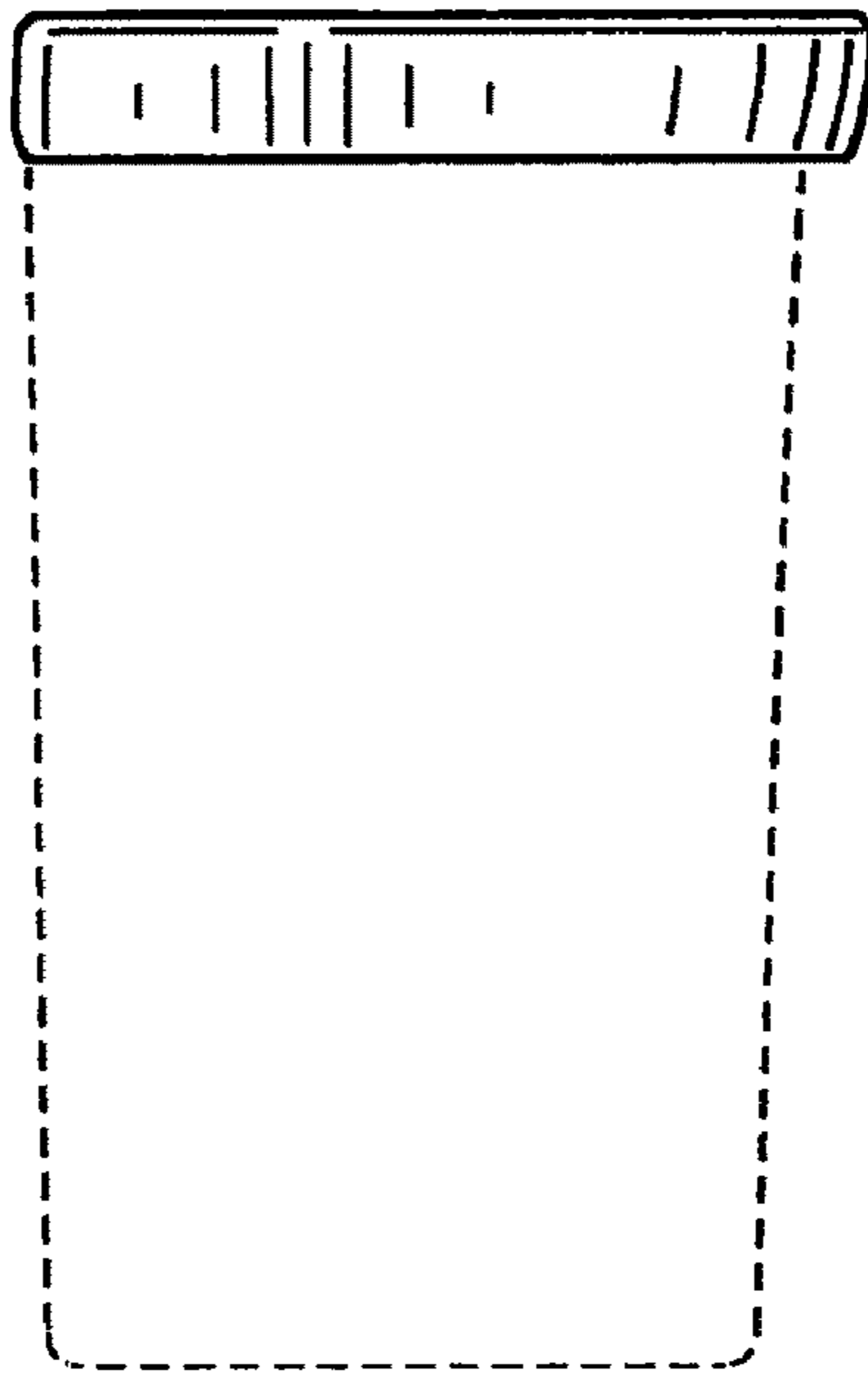


FIG. 3

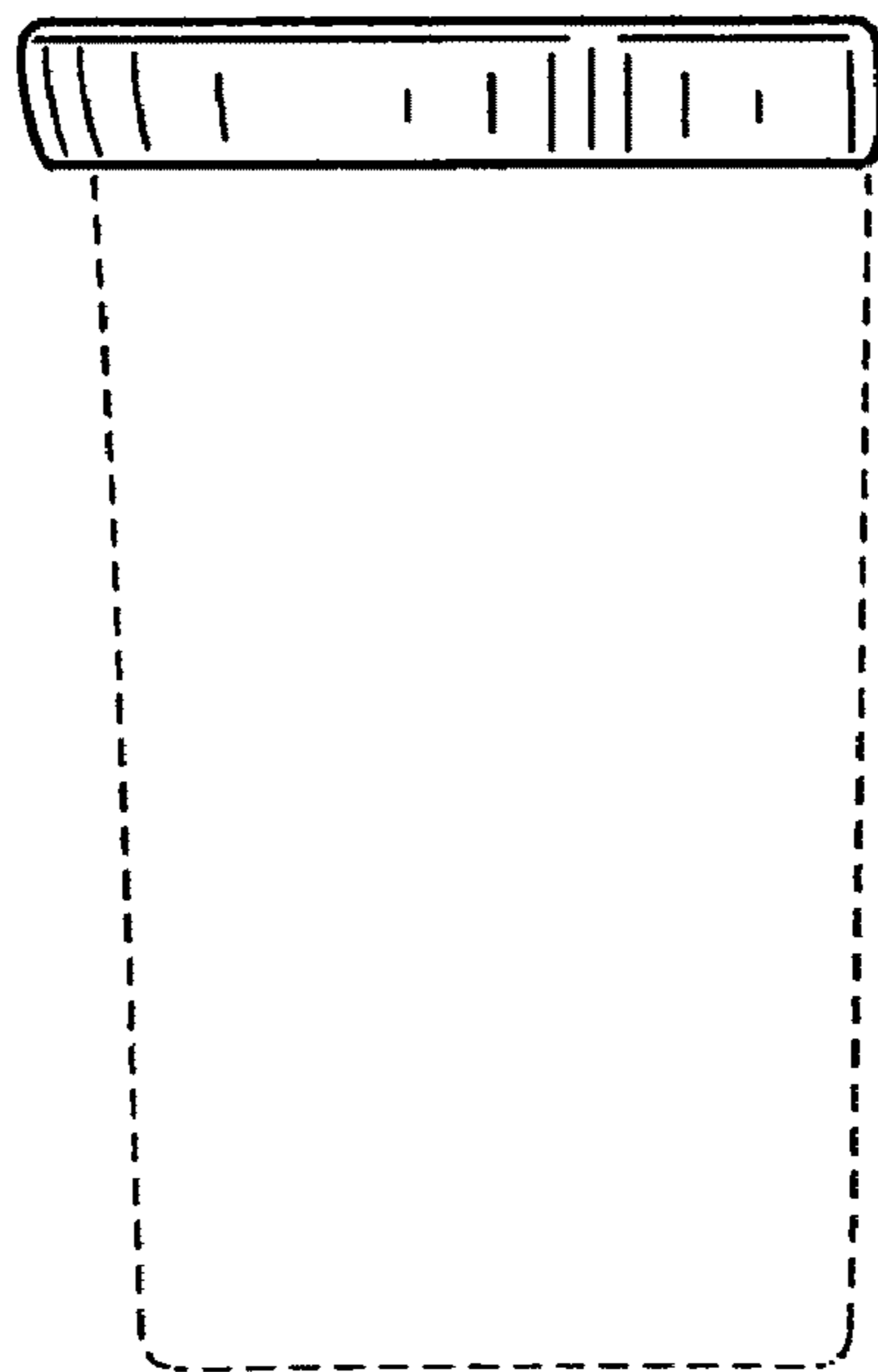


FIG. 4

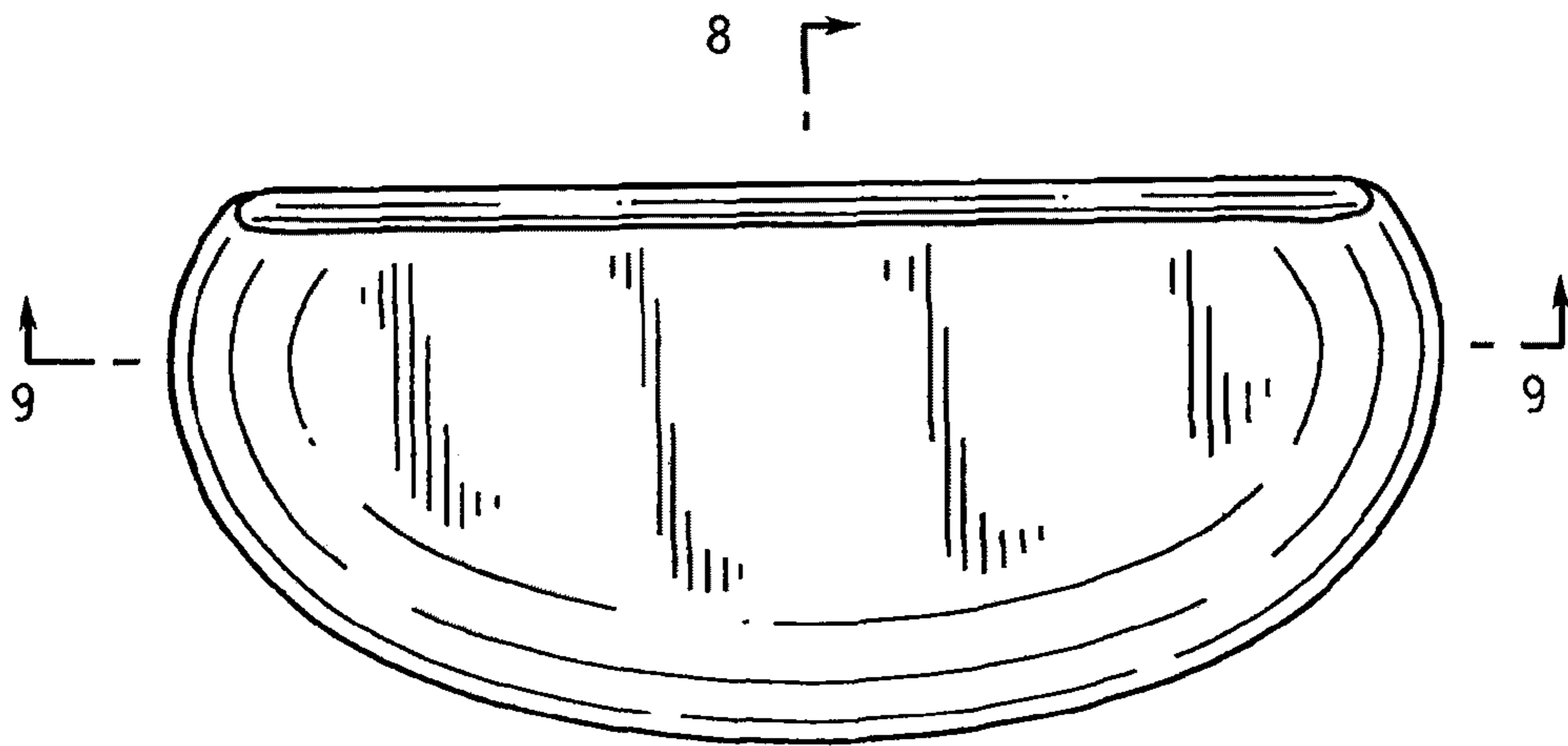


FIG. 5

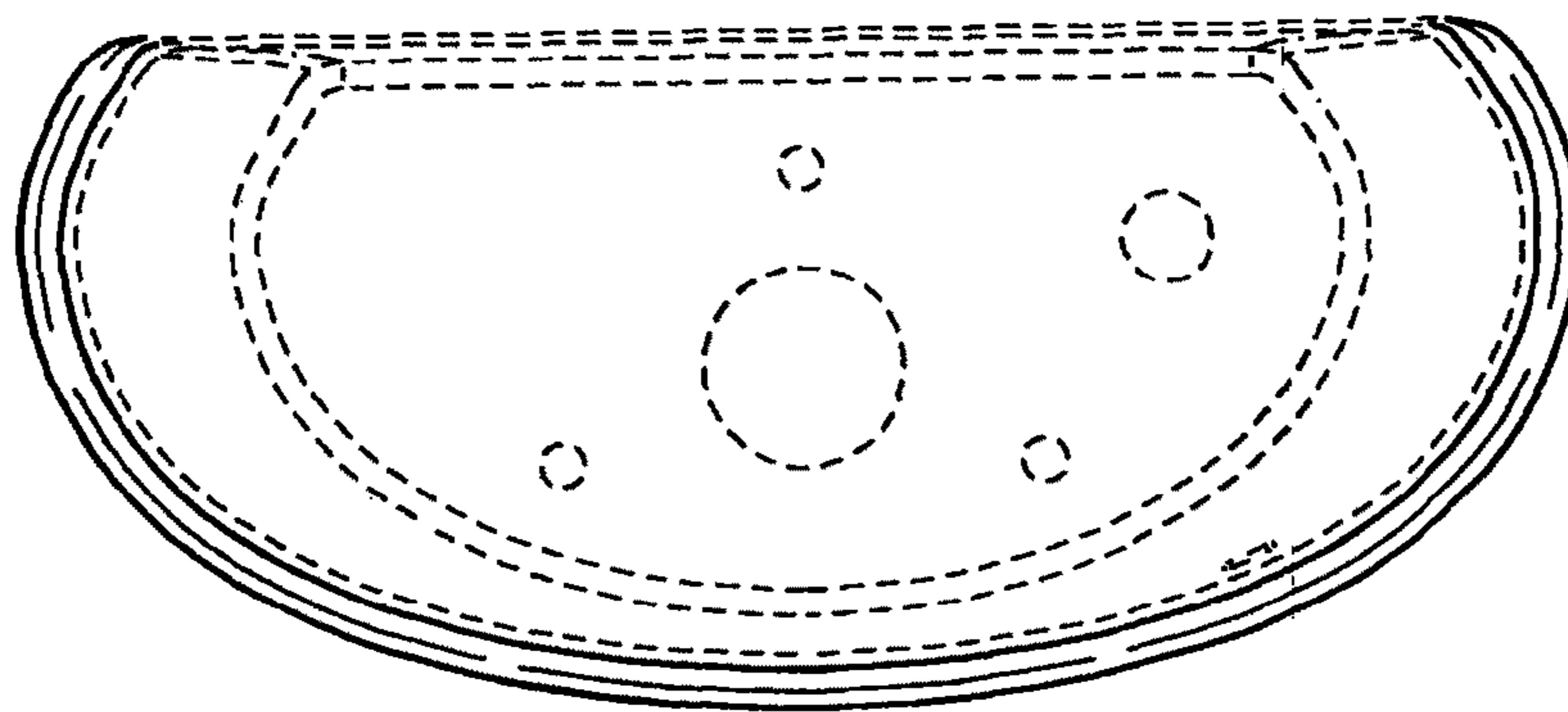


FIG. 6

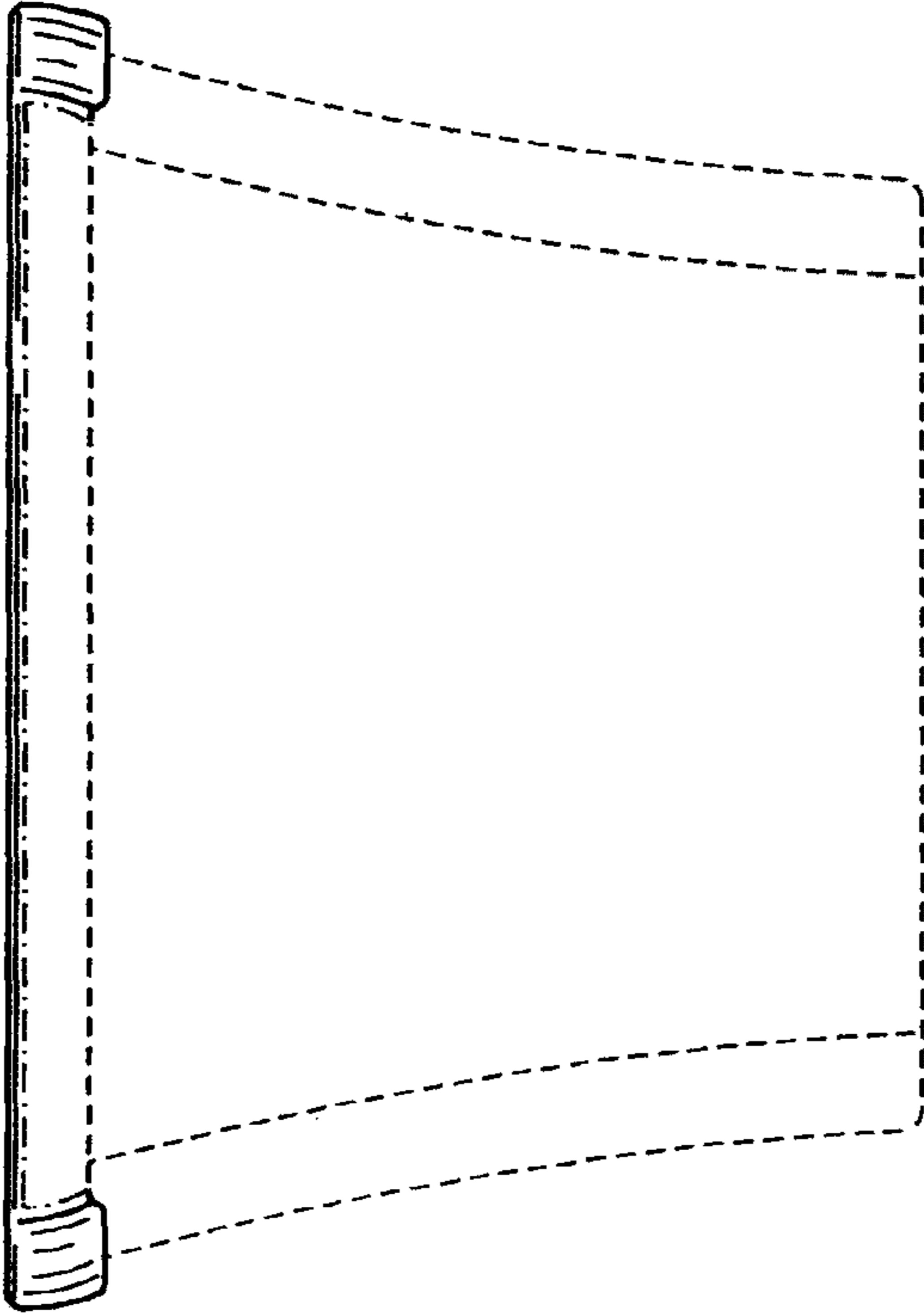


FIG. 7

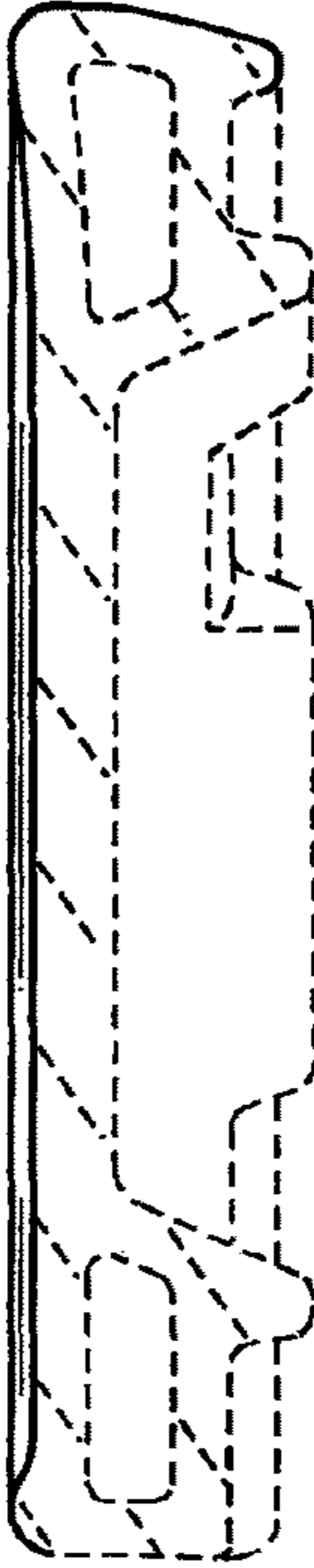


FIG. 8

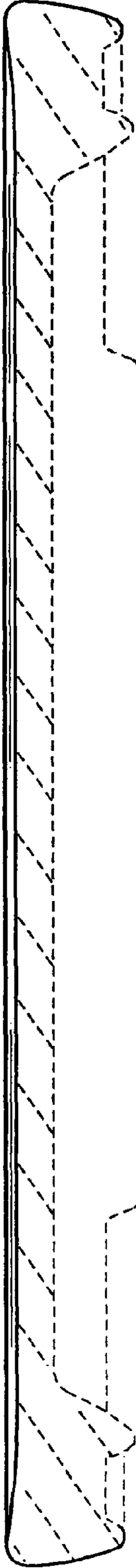


FIG. 9